

United States Patent [19]

Joosten et al.

[11] Patent Number: **Des. 313,281**

[45] Date of Patent: **** Dec. 25, 1990**

[54] LAMP

[75] Inventors: **Stefanus F. W. Joosten**, Eindhoven;
Petrus A. J. Holten, Suerendonk,
both of Netherlands

[73] Assignee: **U.S. Philips Corporation**, New York,
N.Y.

[**] Term: **14 Years**

[21] Appl. No.: **205,123**

[22] Filed: **Jun. 10, 1988**

[30] **Foreign Application Priority Data**

Dec. 22, 1987 [NL] Netherlands 62832-00

[52] U.S. Cl. **D26/2**

[58] Field of Search D26/2, 3, 4; 313/315,
313/318

[56] **References Cited**

U.S. PATENT DOCUMENTS

D. 219,516 12/1970 Venema D26/2
D. 261,812 11/1981 Bowles et al. D26/2
1,798,745 3/1931 Lyman D26/2 X
2,116,722 5/1938 Downer 313/315

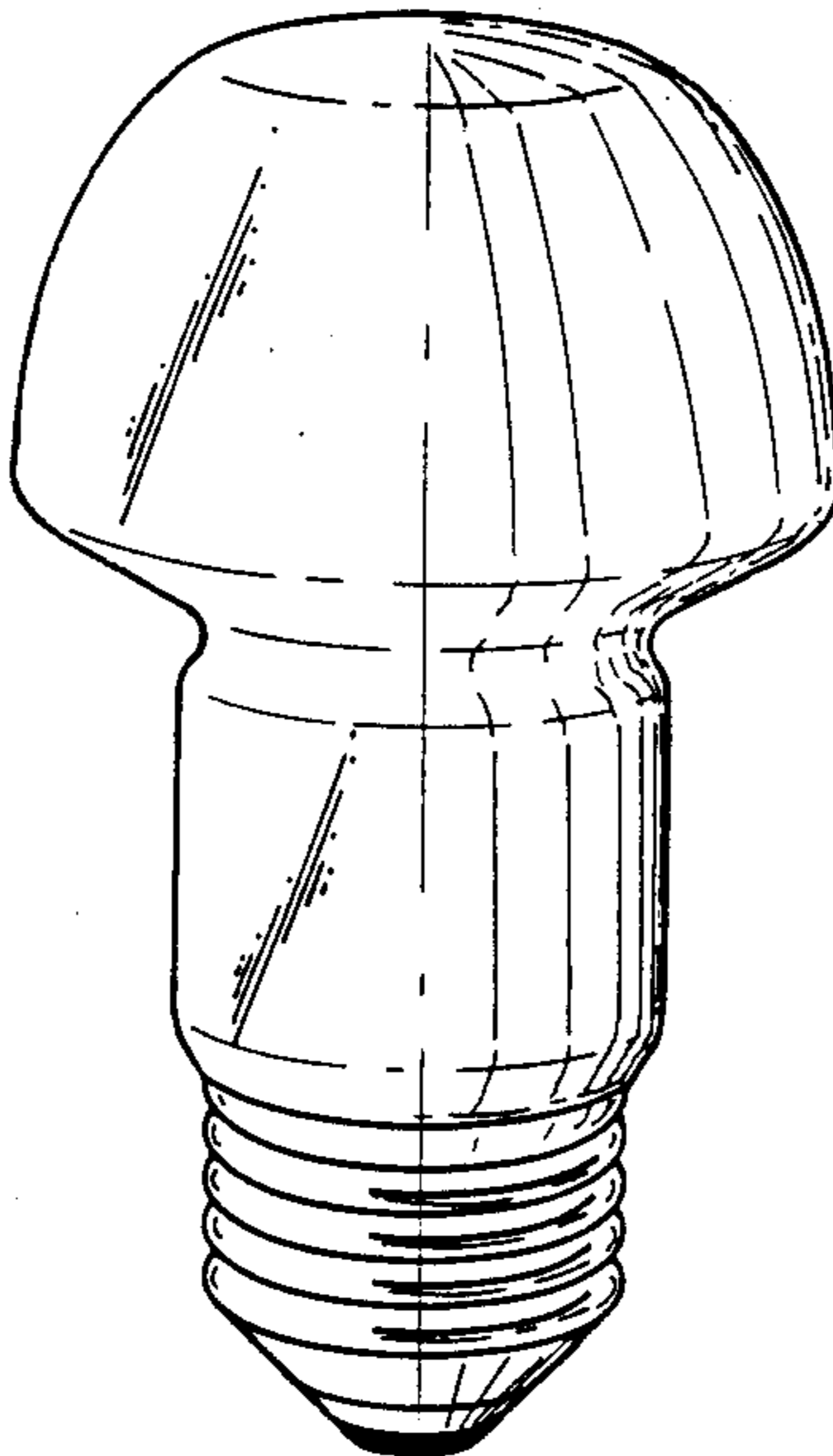
Primary Examiner—Susan J. Lucas

[57] **CLAIM**

The ornamental design for a lamp, as shown.

DESCRIPTION

FIG. 1 is a front, top and left side perspective view of a lamp showing our new design;
FIG. 2 is a front elevational view thereof;
FIG. 3 is a rear elevational view thereof;
FIG. 4 is a left side elevational view thereof;
FIG. 5 is a right side elevational view thereof;
FIG. 6 is a top plan view thereof;
FIG. 7 is a bottom plan view thereof.



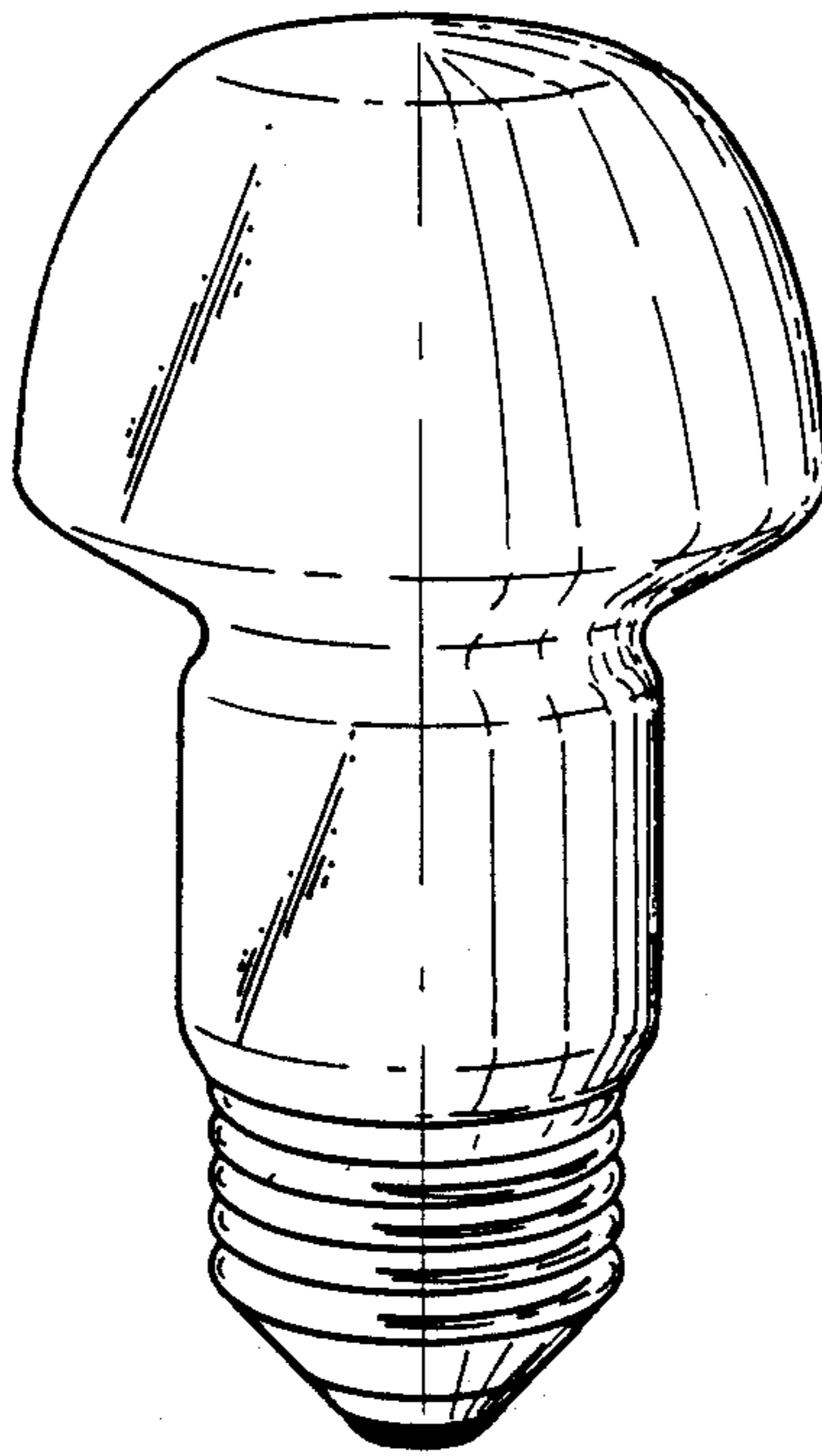


FIG. 1

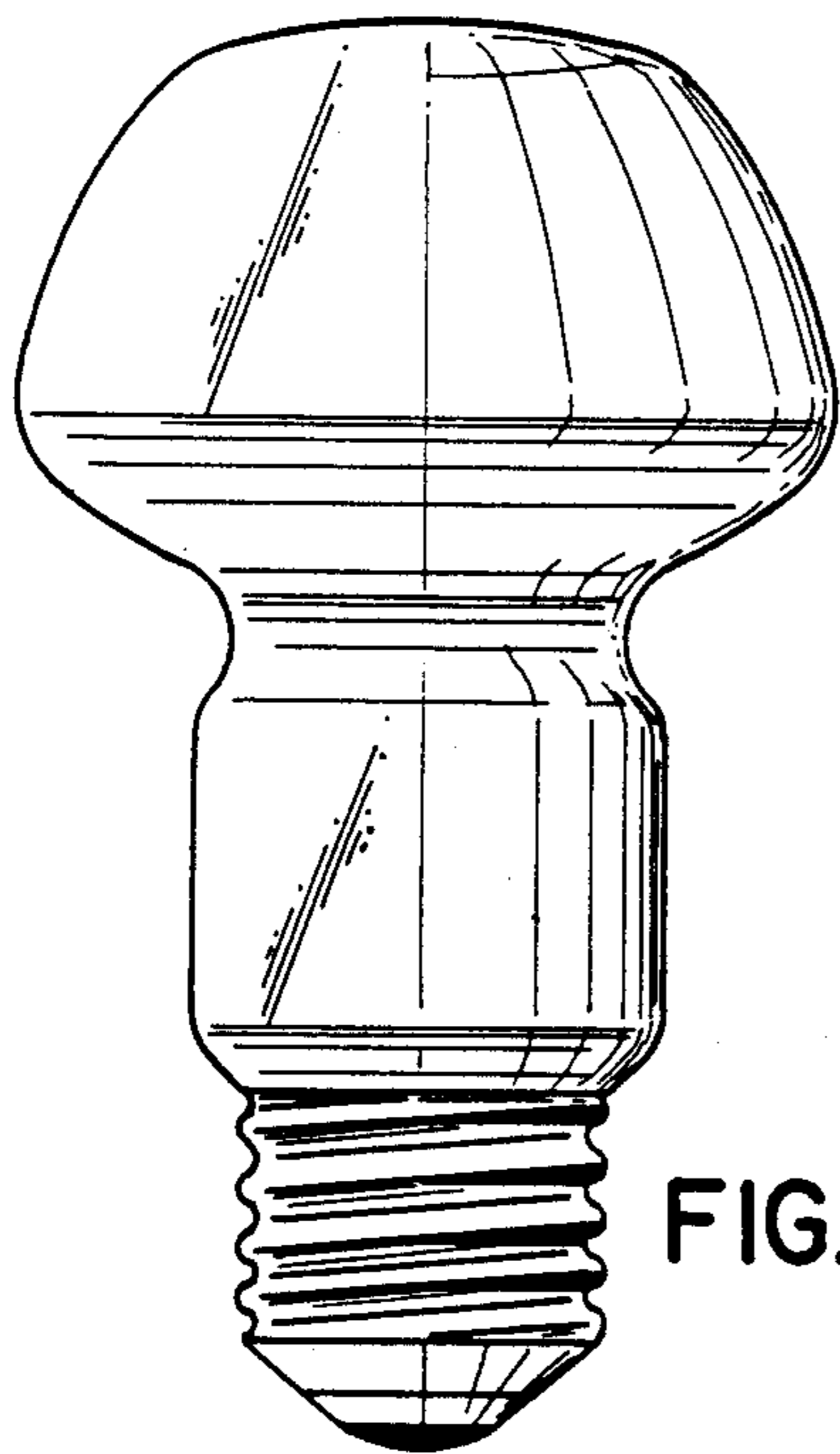


FIG. 2

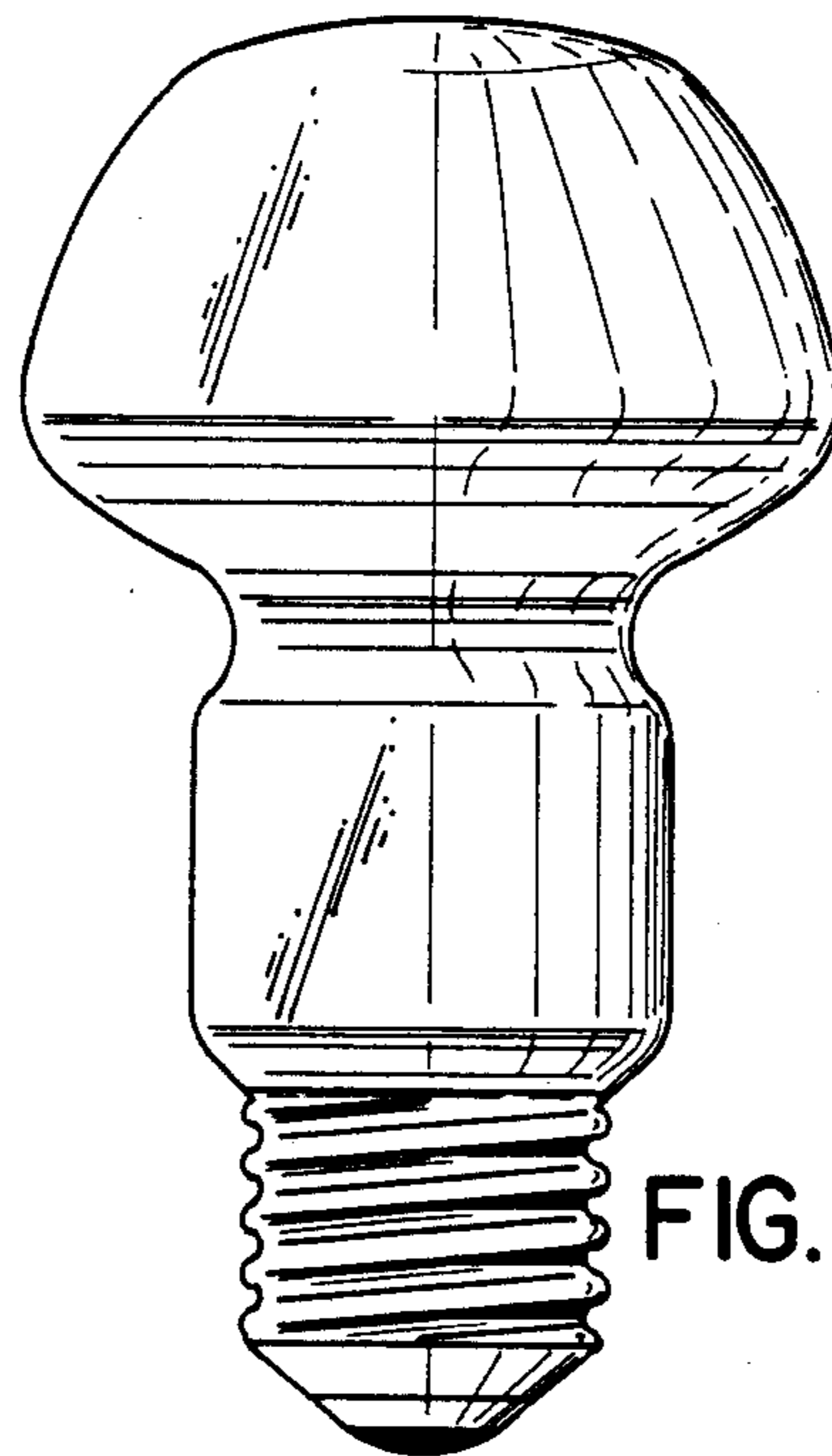


FIG. 3

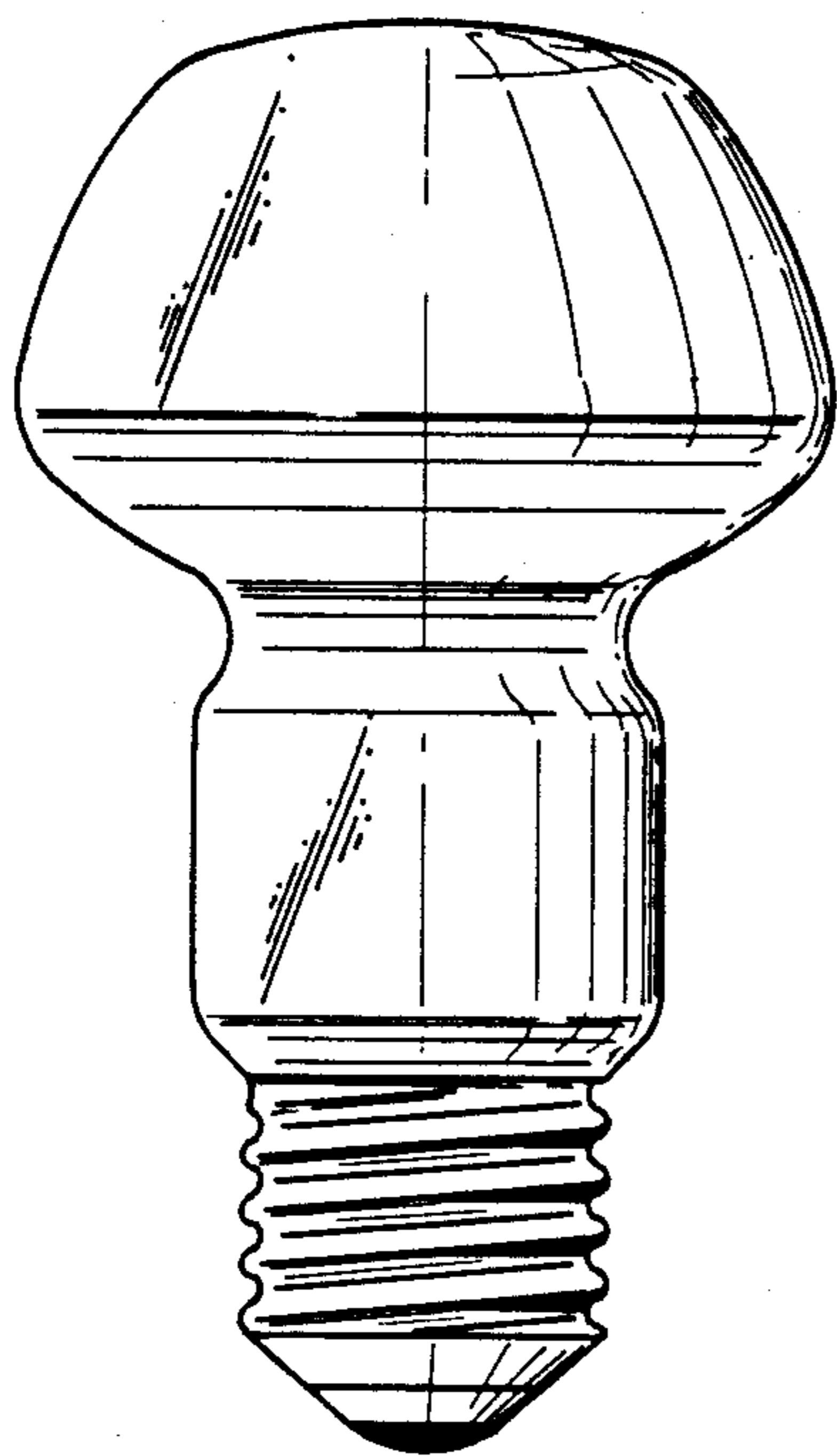


FIG. 4

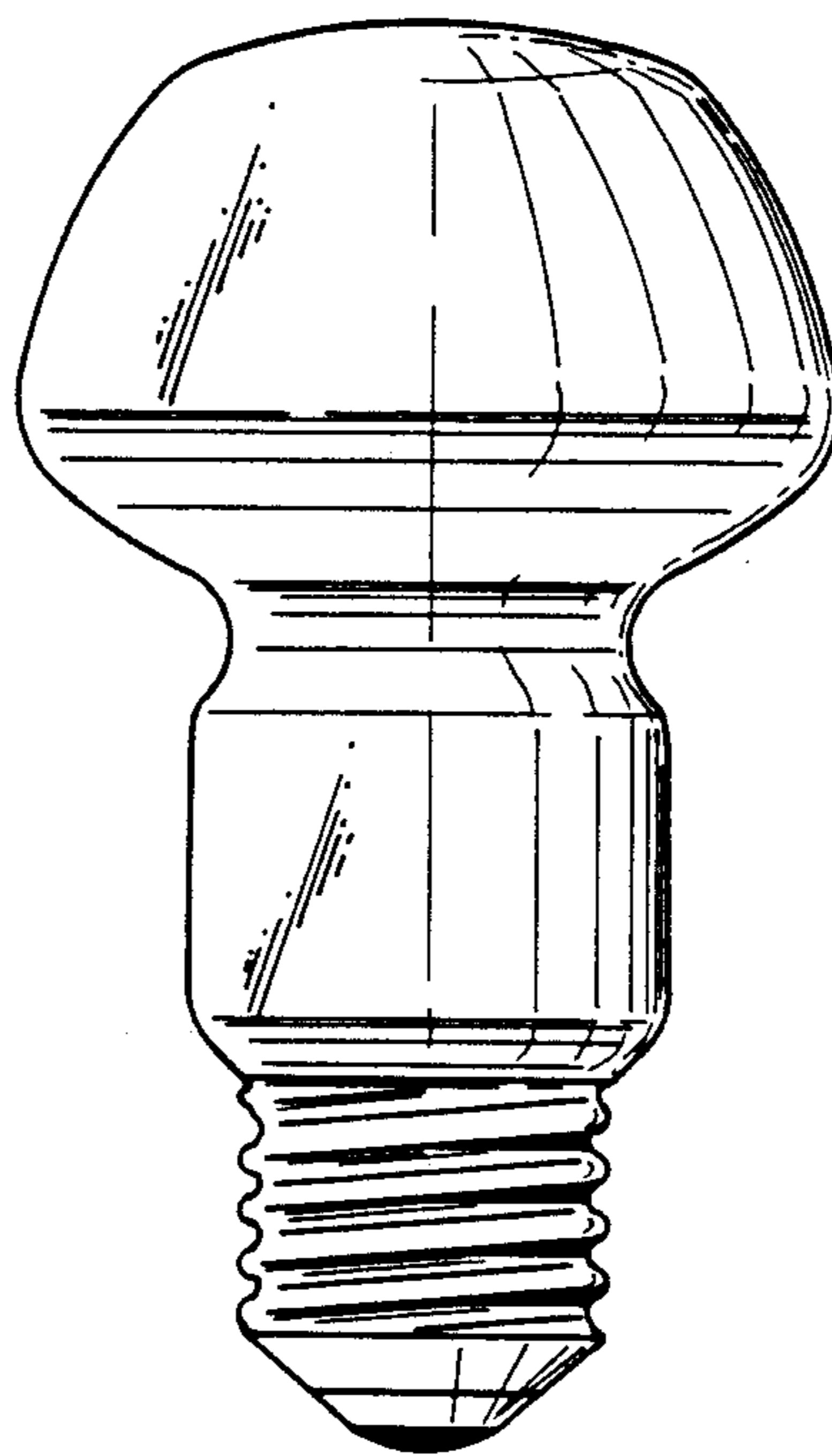


FIG. 5

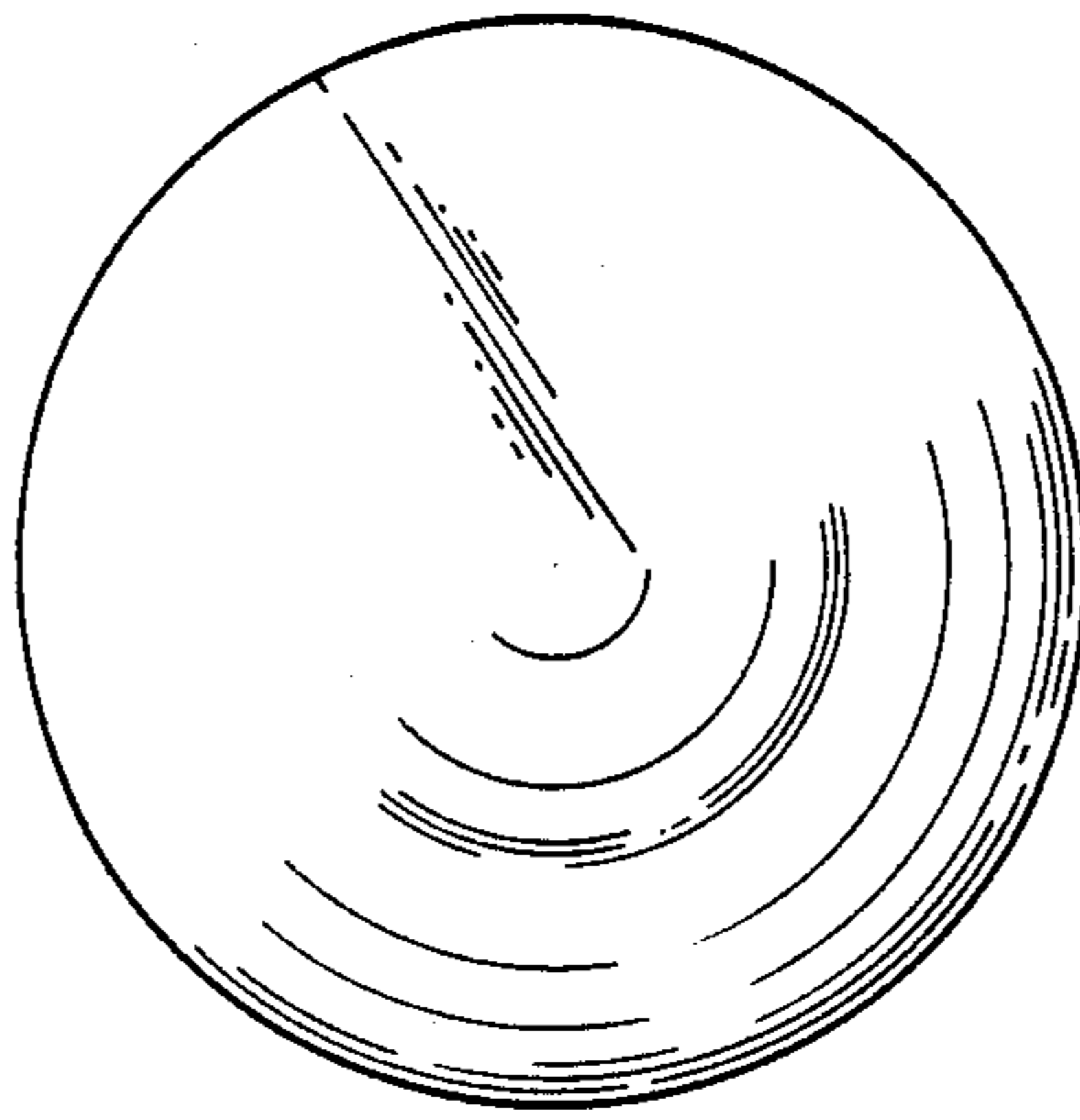


FIG. 6

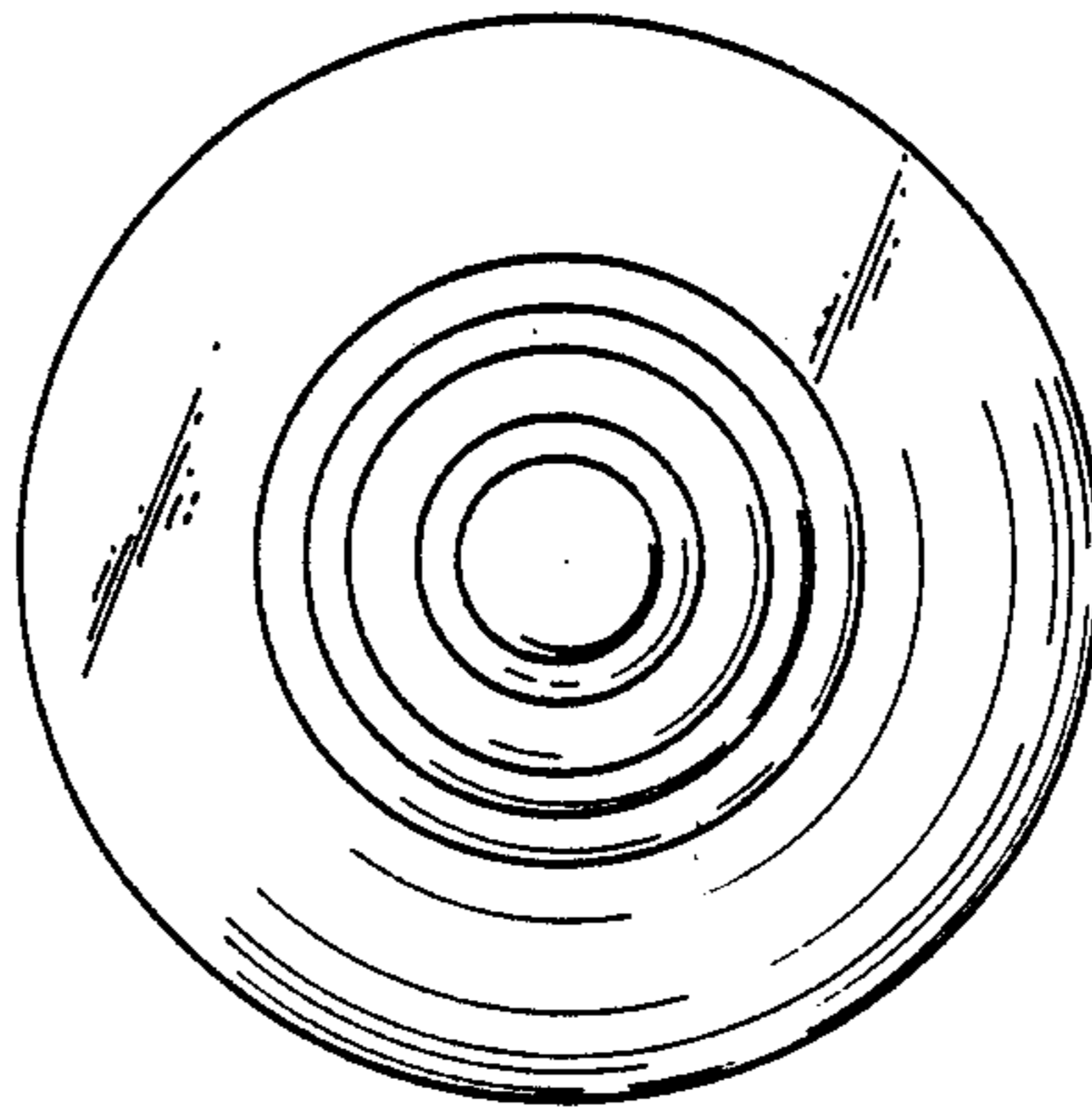


FIG. 7