

[54] **MODULAR BLOCK FOR RETAINING WALL**

[75] Inventors: **Raymond Rodenburgh, Oshawa; Brett Mitchell, Manitoba; Edward Bryant, Etobicoke, all of Canada**

[73] Assignee: **719097 Ontario Limited, Georgetown, Canada**

[**] Term: **14 Years**

[21] Appl. No.: **317,028**

[22] Filed: **Feb. 28, 1989**

[30] **Foreign Application Priority Data**

Feb. 20, 1989 [CA] Canada 62573

[52] U.S. Cl. **D25/113**

[58] Field of Search **D25/113-118; 405/30, 19, 272, 273, 262, 284, 286; 52/590, 593, 594**

[56] **References Cited**

U.S. PATENT DOCUMENTS

D. 198,129	5/1964	Davis	D25/113
D. 279,030	5/1985	Risi et al.	D25/80
D. 280,024	8/1985	Risi et al.	D25/80
1,431,530	10/1922	Leicester	D25/113 X
1,543,635	6/1925	Wickson	.	
1,773,579	8/1930	Flath	.	
1,787,200	12/1930	Huntoon	.	
1,833,442	11/1931	Solon	.	
1,907,053	5/1933	Flath	.	
2,094,167	9/1937	Evers	61/47
2,154,213	4/1939	Noce	72/41
2,158,943	5/1939	Mamula	D25/113 X
2,197,960	4/1940	Alexander	61/47
2,371,201	3/1945	Wells	72/38
2,433,253	12/1947	Agnew et al.	202/223
2,972,870	2/1961	Cooper	61/47
3,635,459	1/1972	Mare	266/43
3,877,236	4/1975	O'Neill et al.	61/47
4,190,384	2/1980	Neumann	405/284

4,193,718	3/1980	Wahrendorf et al.	405/286
4,278,364	7/1981	Frehner	405/273
4,314,431	2/1982	Rabassa	52/259
4,490,075	12/1984	Risi et al.	405/273
4,512,685	4/1985	Hegle	405/284
4,524,551	6/1985	Scheiwiller	52/98
4,711,606	12/1987	Leling et al.	405/286

FOREIGN PATENT DOCUMENTS

941626	2/1974	Canada	.	
1116422	1/1982	Canada	.	
51313	5/1983	Canada	.	
1182295	2/1985	Canada	.	
57035	5/1985	Canada	.	
1811932	6/1970	Fed. Rep. of Germany	.	
2755833	7/1976	Fed. Rep. of Germany	.	
8214	6/1855	France	D25/113

OTHER PUBLICATIONS

Munich II, Interlocking Paving Stone, KNR—Durastone Ltd., Georgetown, Ontario, Canada, published before Feb. 28, 1988.

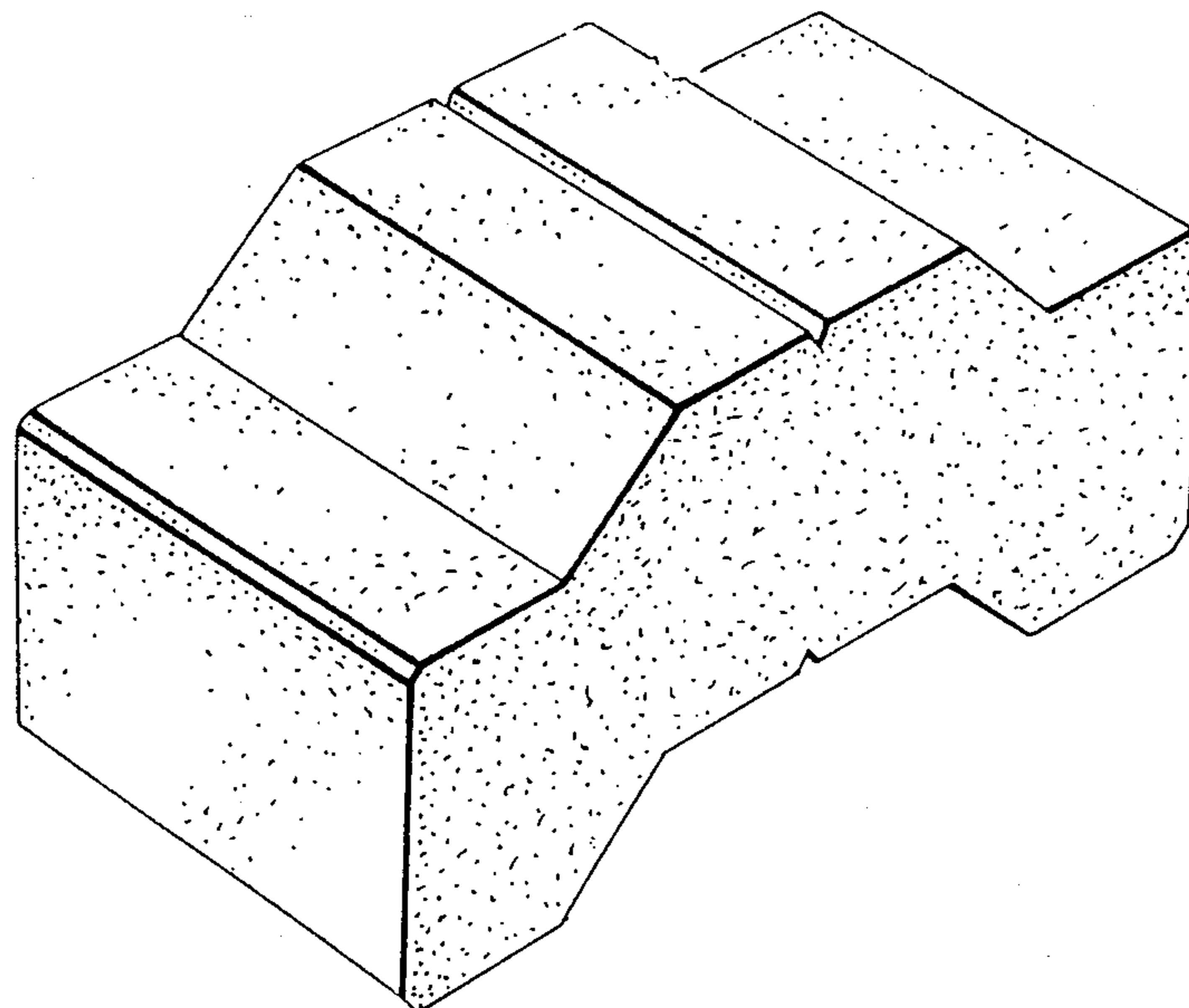
Primary Examiner—A. Hugo Word
Assistant Examiner—Doris Clark
Attorney, Agent, or Firm—Price, Heneveld, Cooper, DeWitt & Litton

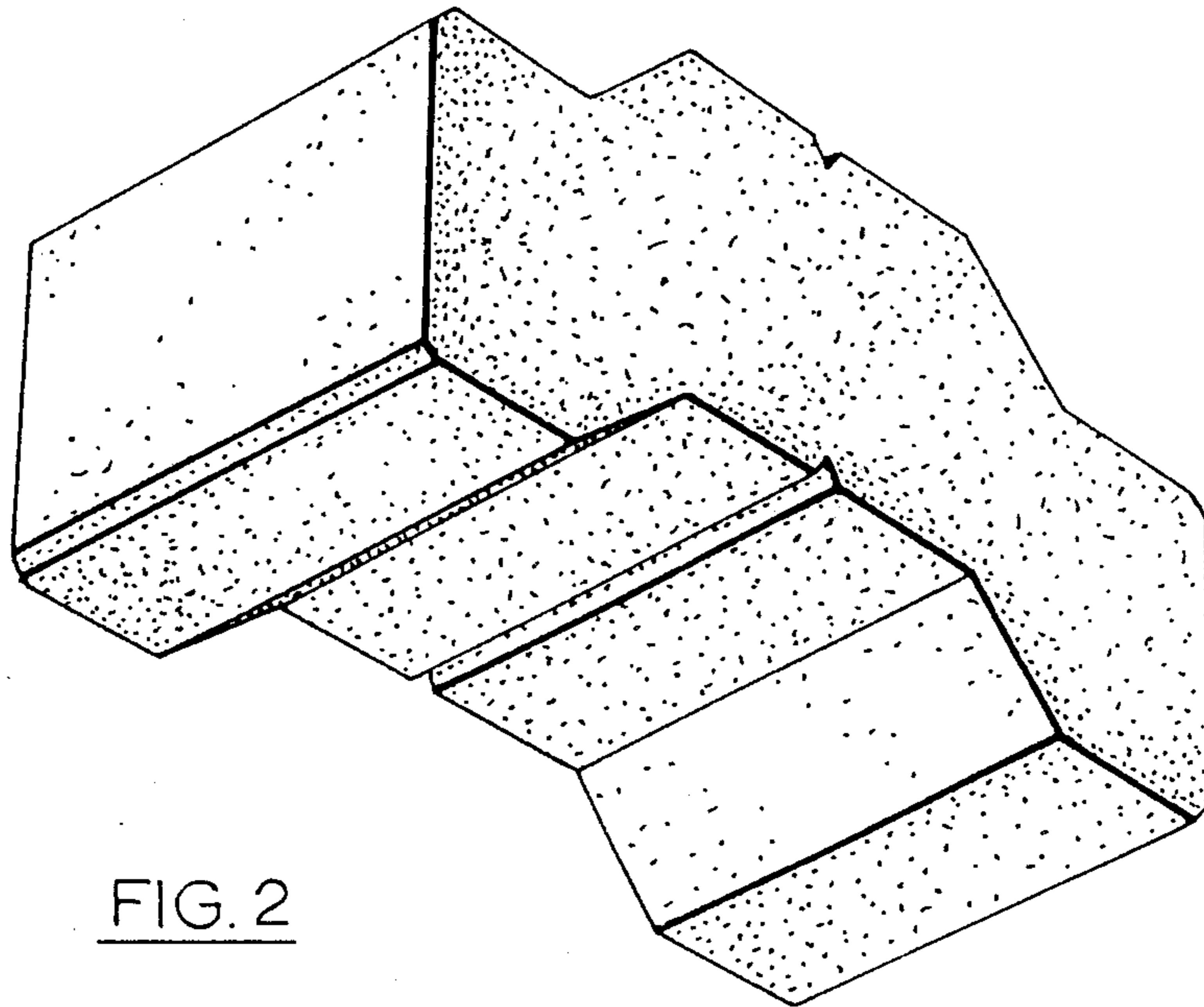
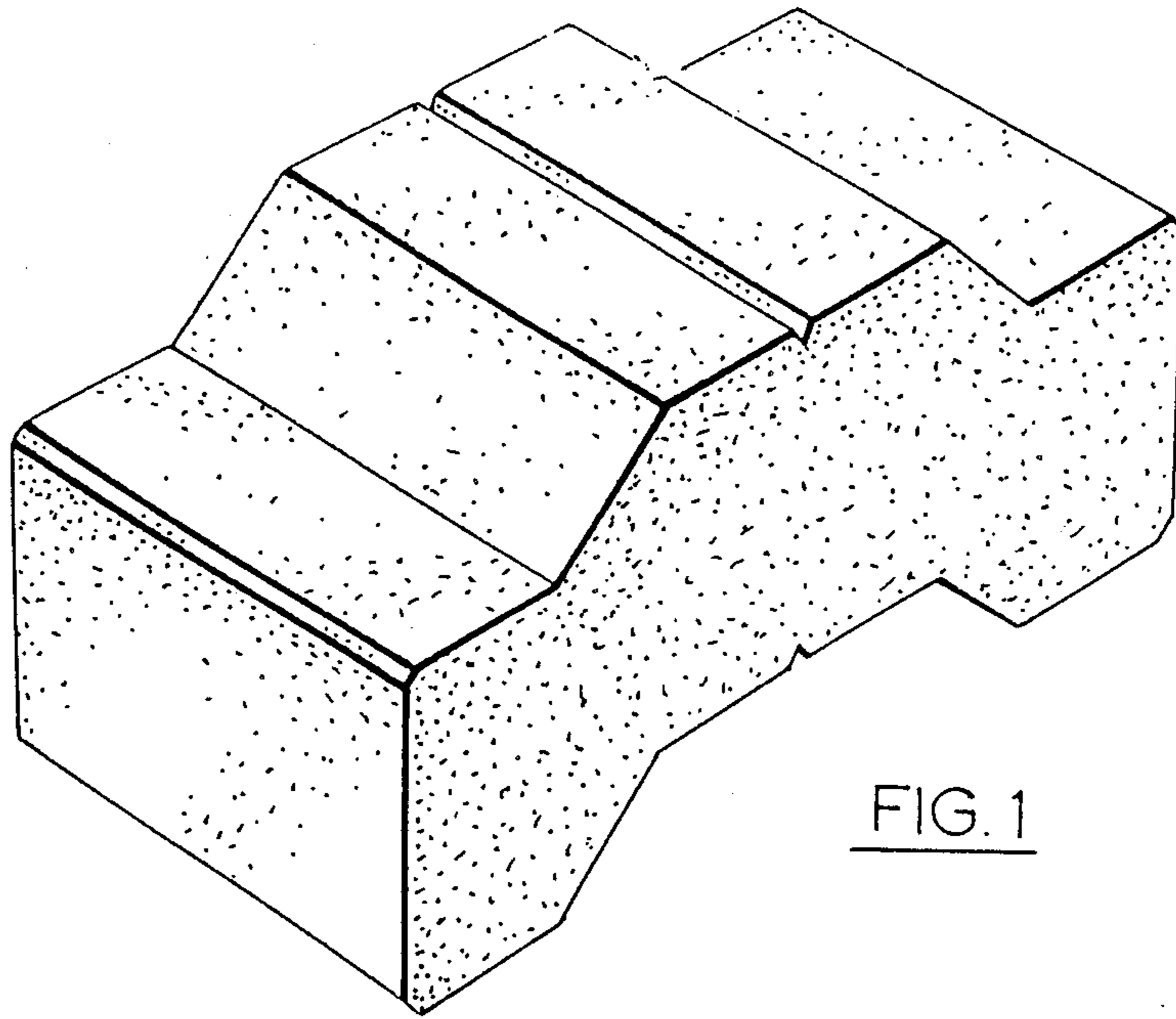
[57] **CLAIM**

The ornamental design for a modular block for retaining wall, as shown and described.

DESCRIPTION

FIG. 1 is a front, top perspective view of a modular block for retaining wall showing my new design; FIG. 2 is a rear, bottom perspective view thereof; FIG. 3 is a front, top perspective view of a second embodiment of the modular block for retaining wall; and FIG. 4 is a rear, bottom perspective view of the second embodiment.





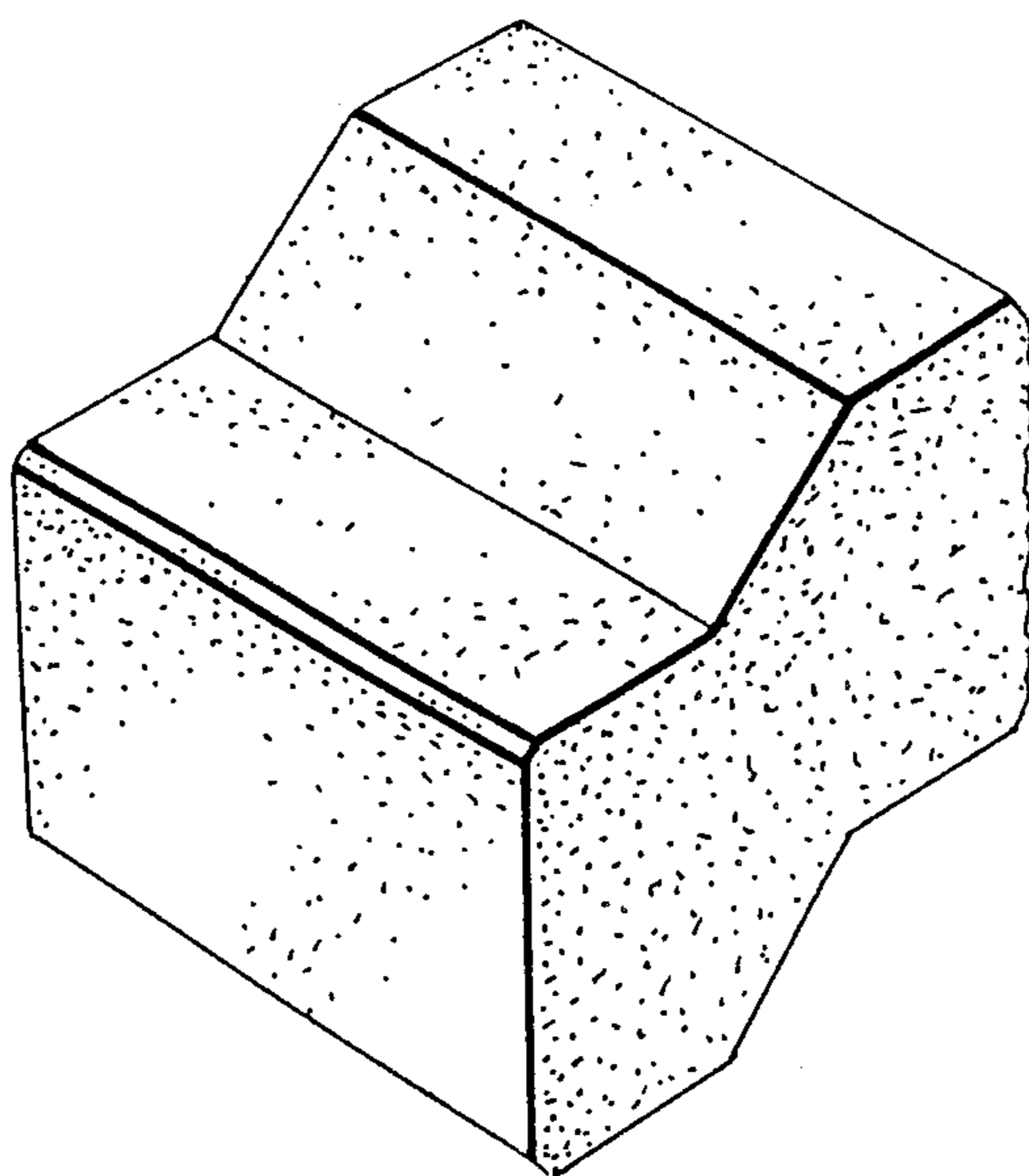


FIG. 3

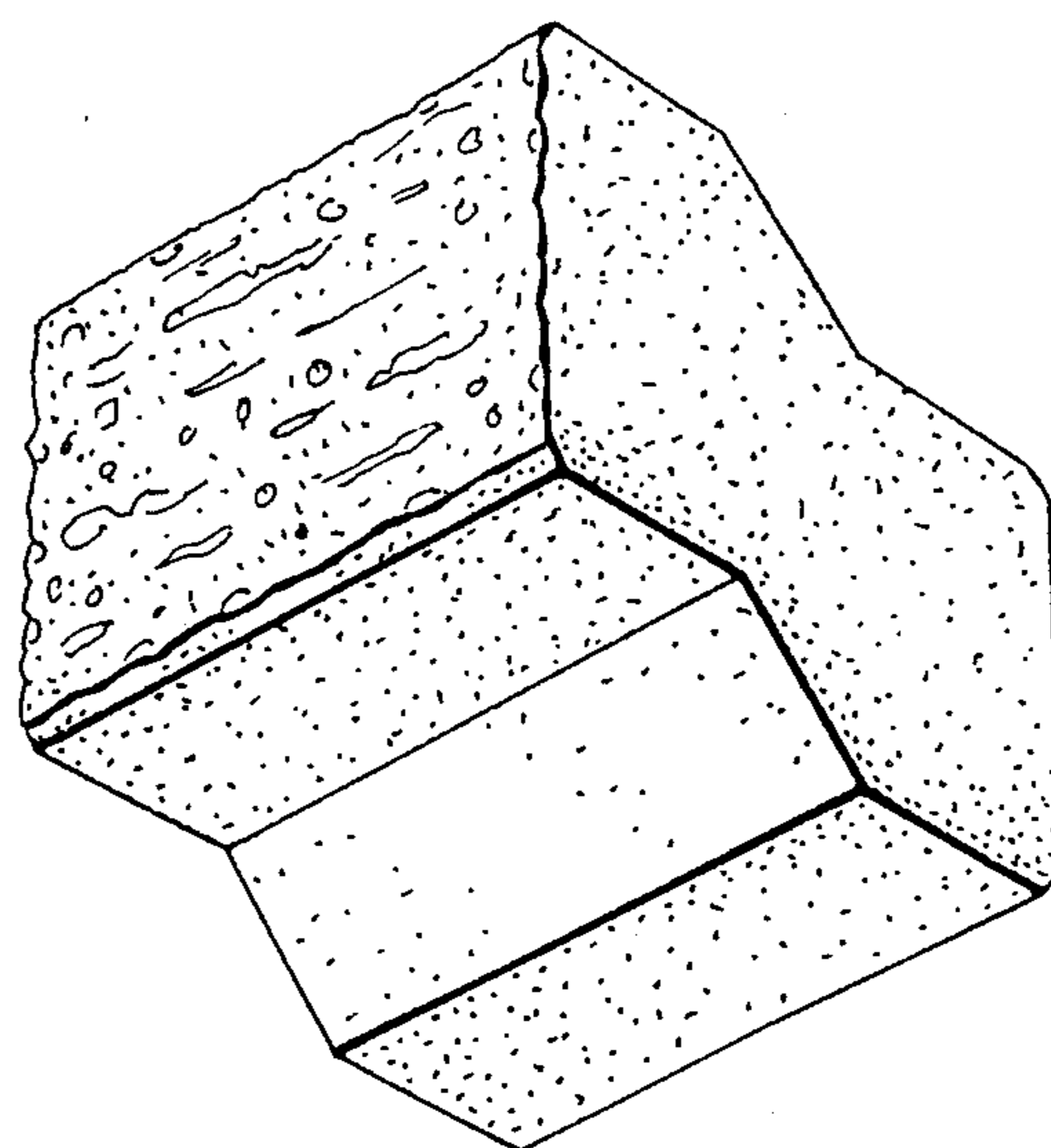


FIG. 4