

[54] **DENTAL TRAY**

[76] **Inventor: William B. McHugh, P.O. Box 91,
Dutzow, Mo. 63342**

[**] **Term: 14 Years**

[21] **Appl. No.: 126,677**

[22] **Filed: Nov. 30, 1987**

[52] **U.S. Cl. D24/31**

[58] **Field of Search D24/31, 1.1;
433/77-79, 60, 41, 49; 206/368, 369**

[56] **References Cited**

U.S. PATENT DOCUMENTS

D. 244,617 8/1972 Gardella et al. D24/31
4,445,859 5/1984 Hoffmeister et al. 433/79

Primary Examiner—A. Hugo Word
Assistant Examiner—Stella M. Reid
Attorney, Agent, or Firm—Kalish & Gilster

[57] **CLAIM**

The ornamental design for a dental tray, as shown and described.

DESCRIPTION

FIG. 1 is a top, right perspective view of a dental tray, showing my new design;
FIG. 2 is a right side elevational view thereof, the left side elevational view being identical thereto;
FIG. 3 is a top plan view thereof.
FIG. 4 is a bottom plan view thereof.
FIG. 5 is a rear elevational view thereof; and
FIG. 6 is a front elevational view thereof.

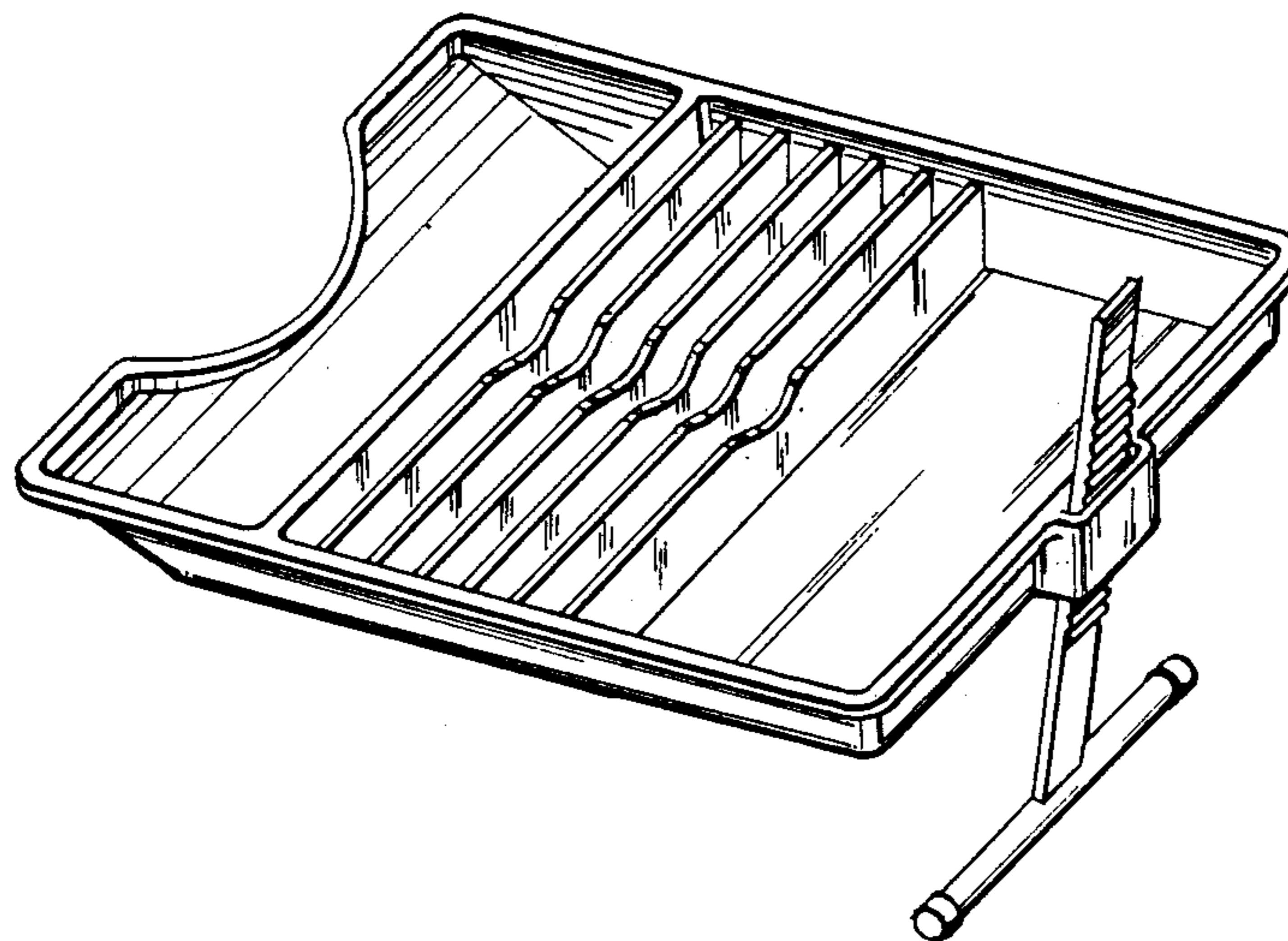


FIG. 1

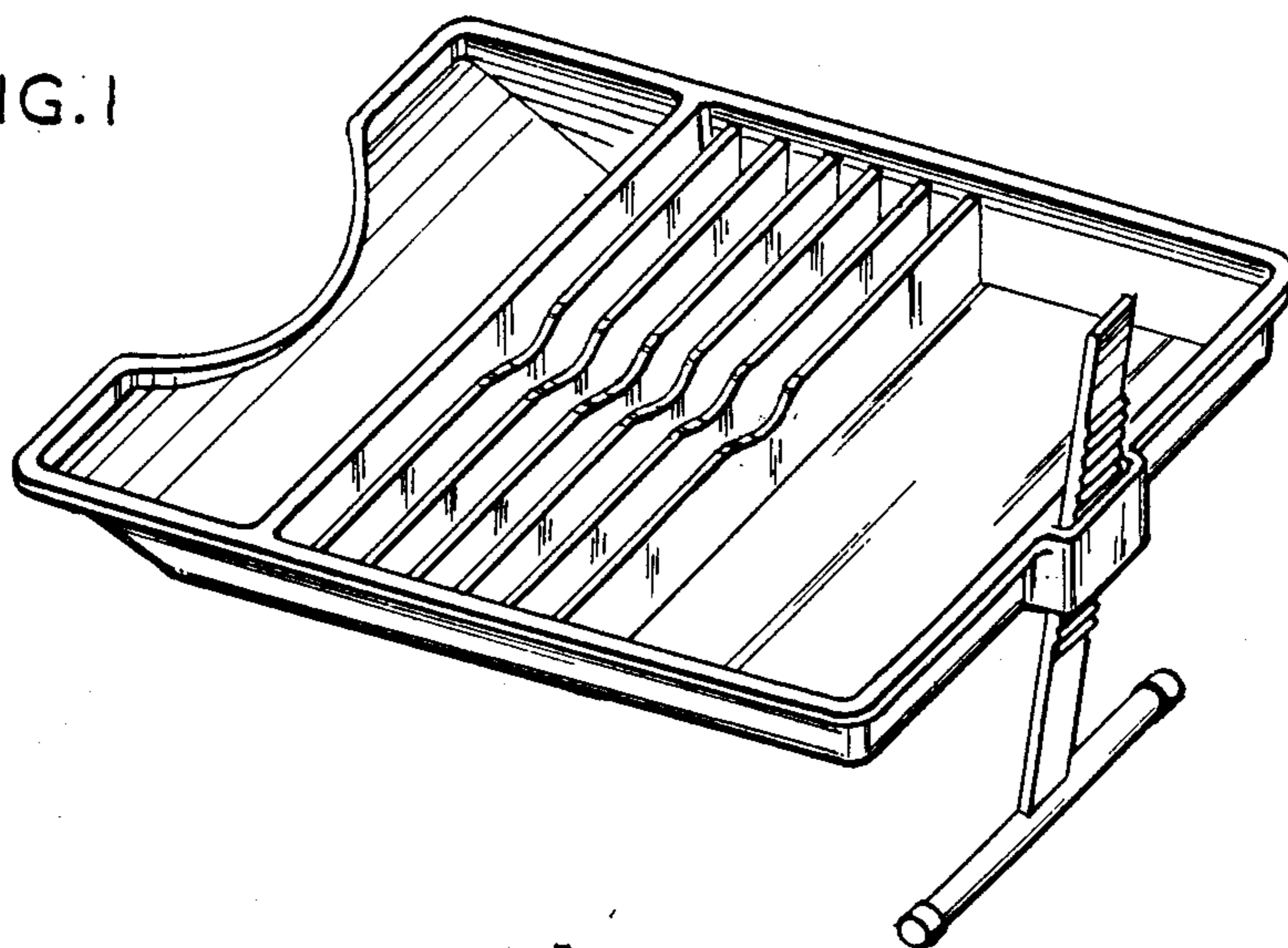


FIG. 2

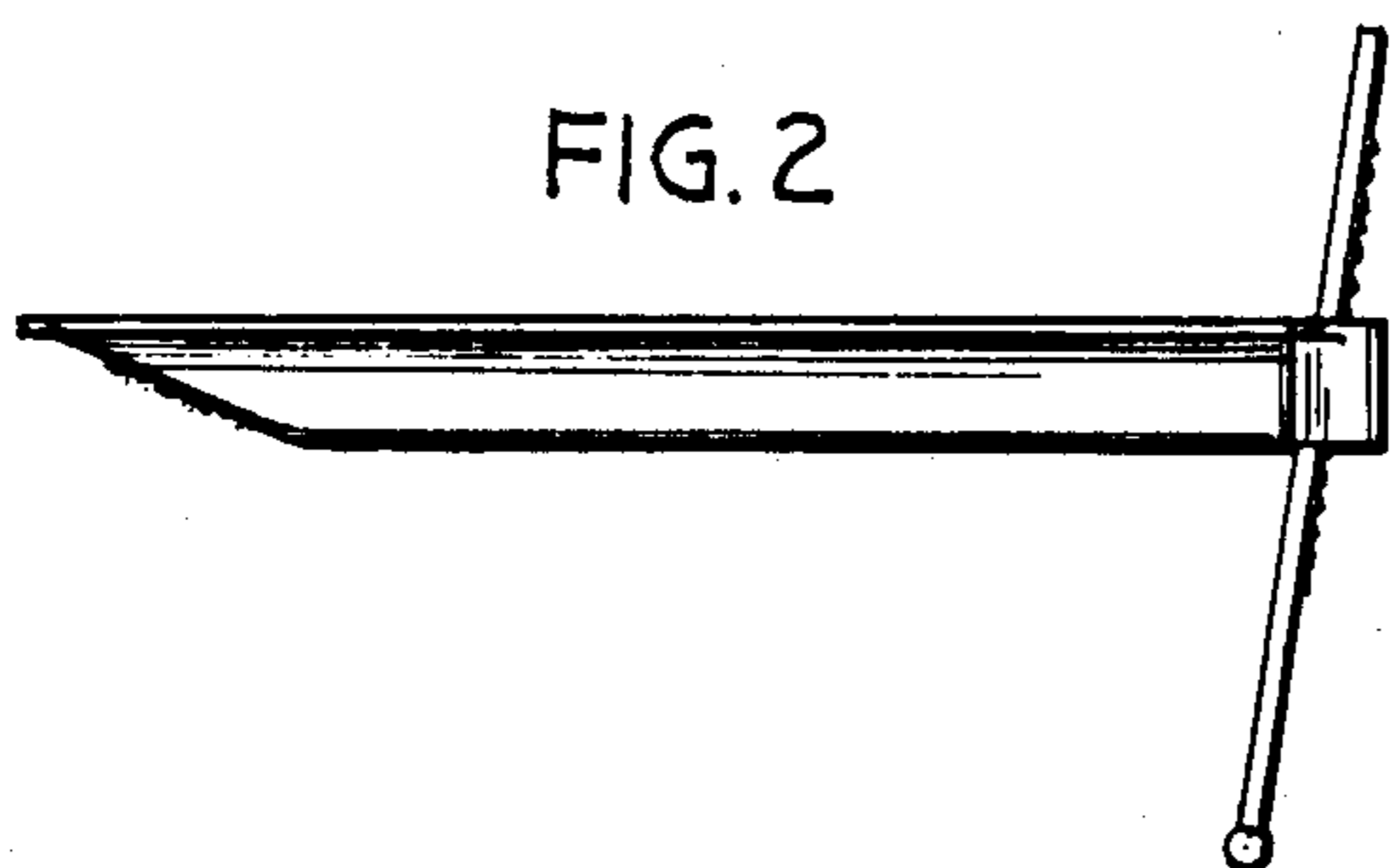


FIG. 3

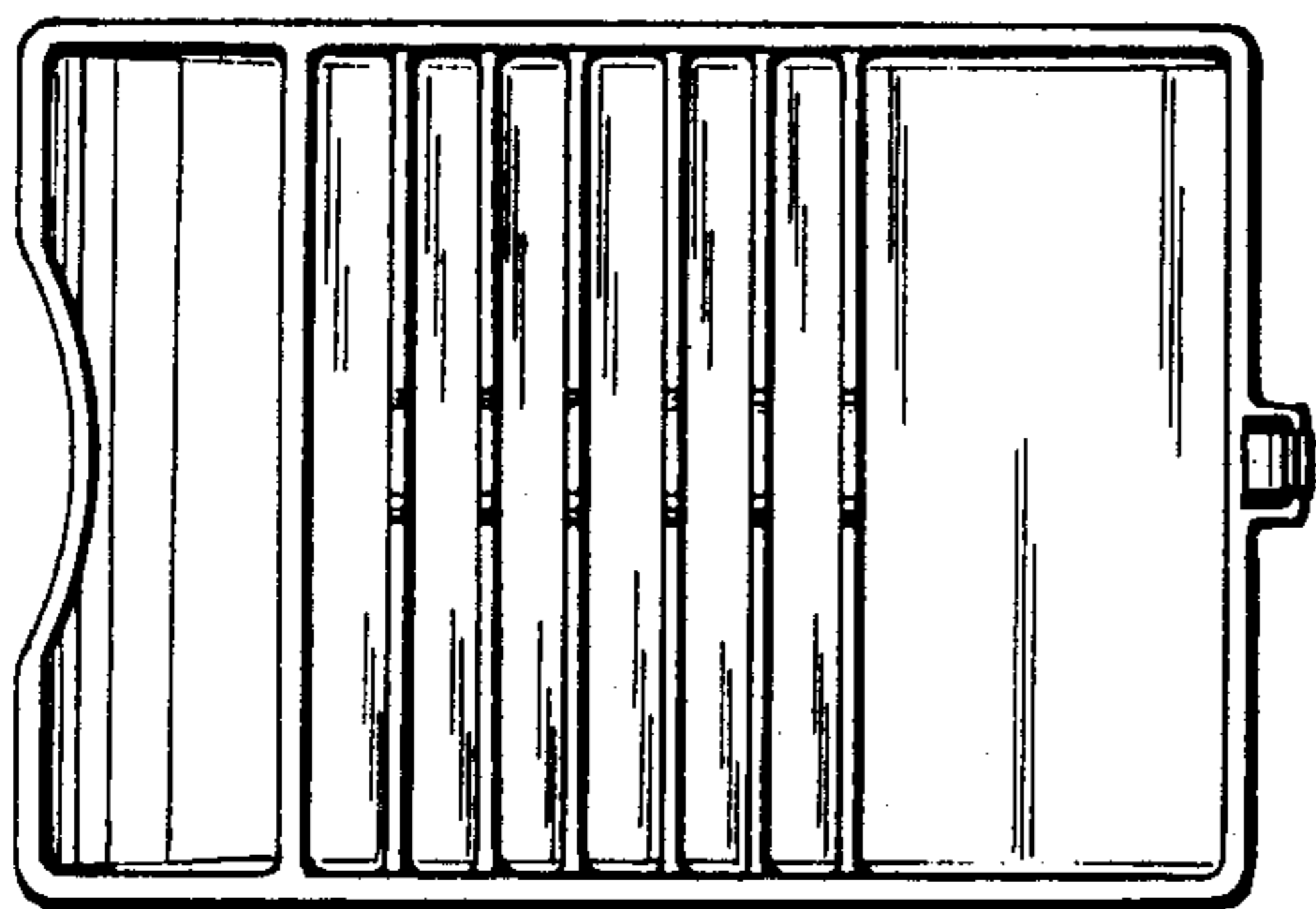


FIG. 4

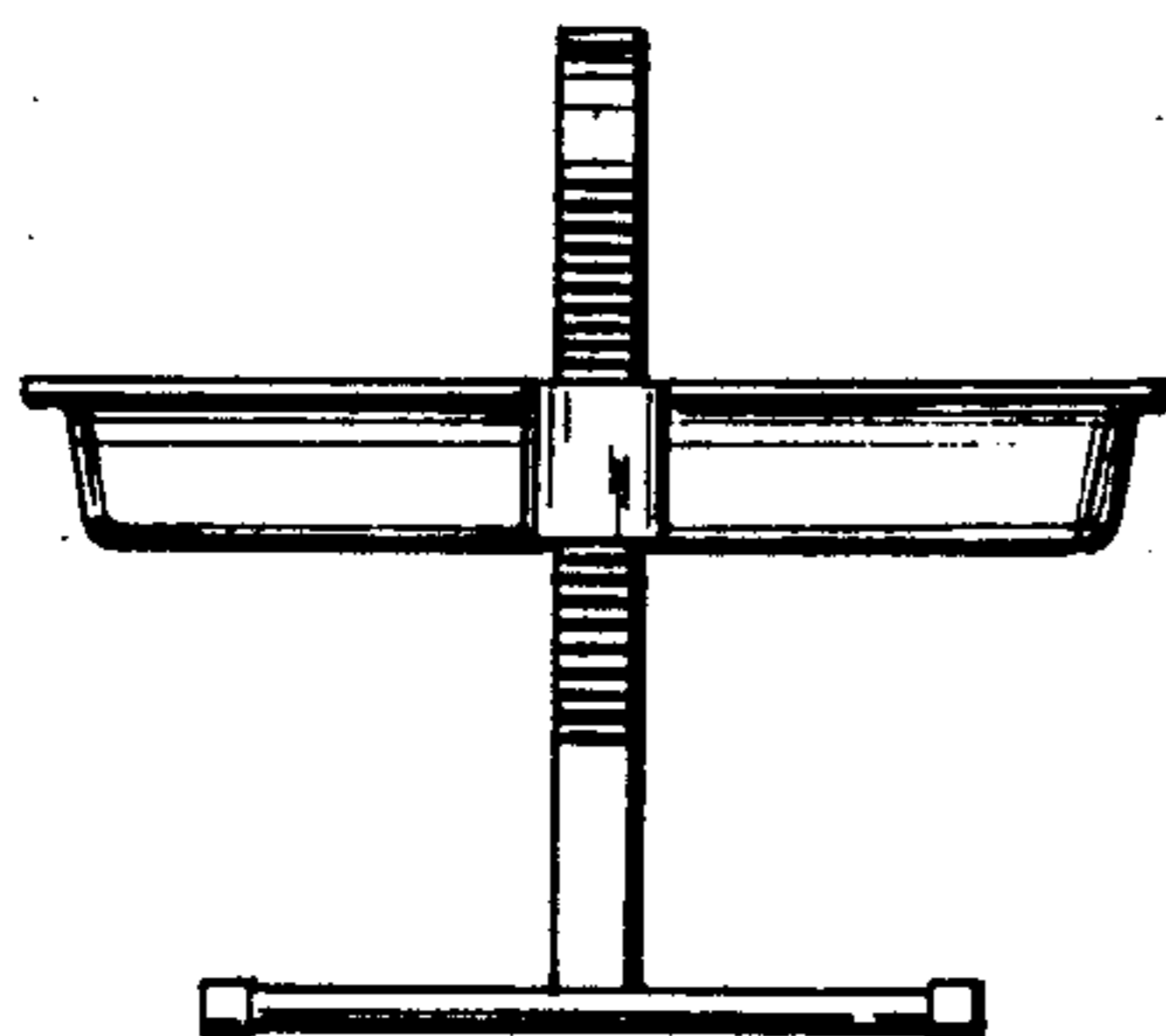
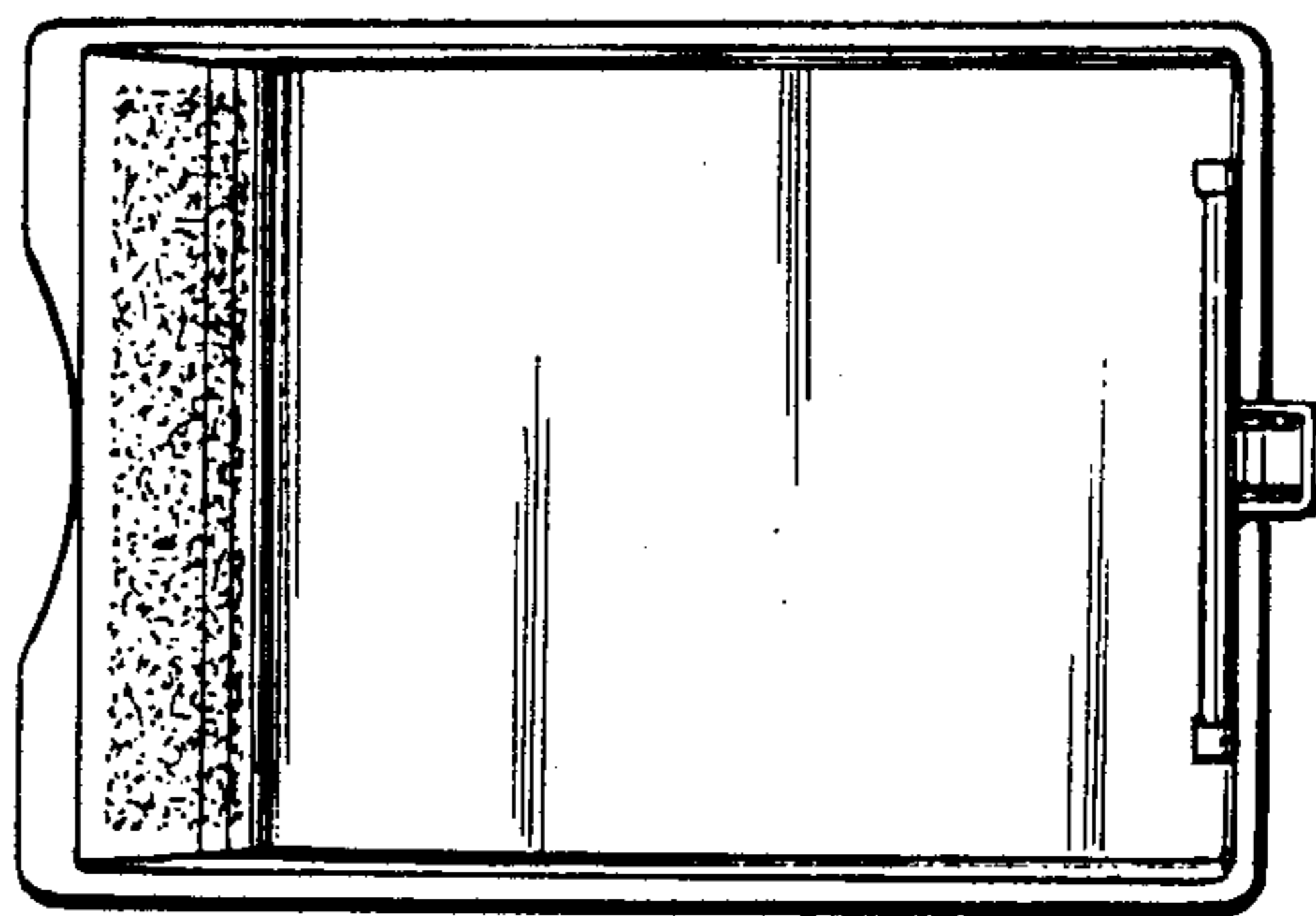


FIG. 5

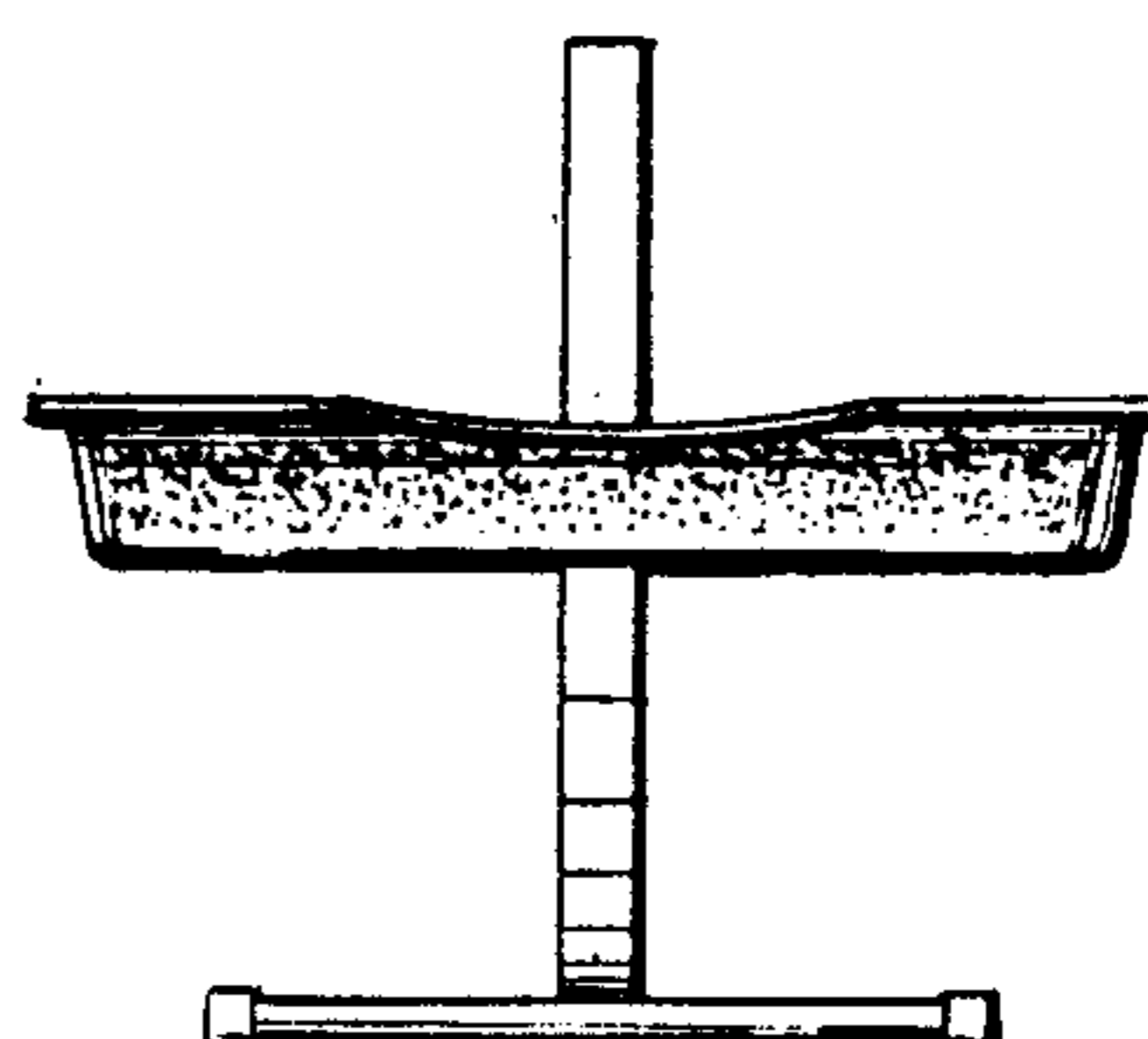


FIG. 6