

[54] FAN
[75] Inventor: Masaaki Aida, Tokyo, Japan
[73] Assignee: Midori Corporation, Tokyo, Japan
[**] Term: 14 Years
[21] Appl. No.: 281,010
[22] Filed: Dec. 7, 1988

[30] Foreign Application Priority Data

Jun. 11, 1988 [JP] Japan 63-23231
[52] U.S. Cl. D23/370
[58] Field of Search D23/370, 381, 382;
415/208.1, 213.1, 211.1, 220, 119

[56] References Cited

U.S. PATENT DOCUMENTS

D. 154,927 8/1949 Jones D23/370
D. 254,566 3/1980 Cummins D23/370
3,610,262 10/1971 Wise 415/119

OTHER PUBLICATIONS

Tatung Fan Catalogue, p. 5, EH-1000 Table Top Fan Heater.
Hong Kong Household 7/83, p. 75, Rotary Box Fans,

Pm. 901, Pm-921, Pm-931.
Electrical Merchandising—Oct. 1, 1946, p. 103, Comfortair, top left side of page.
House Beautiful 12/1938, p. 88, 8 Fan-Heater.

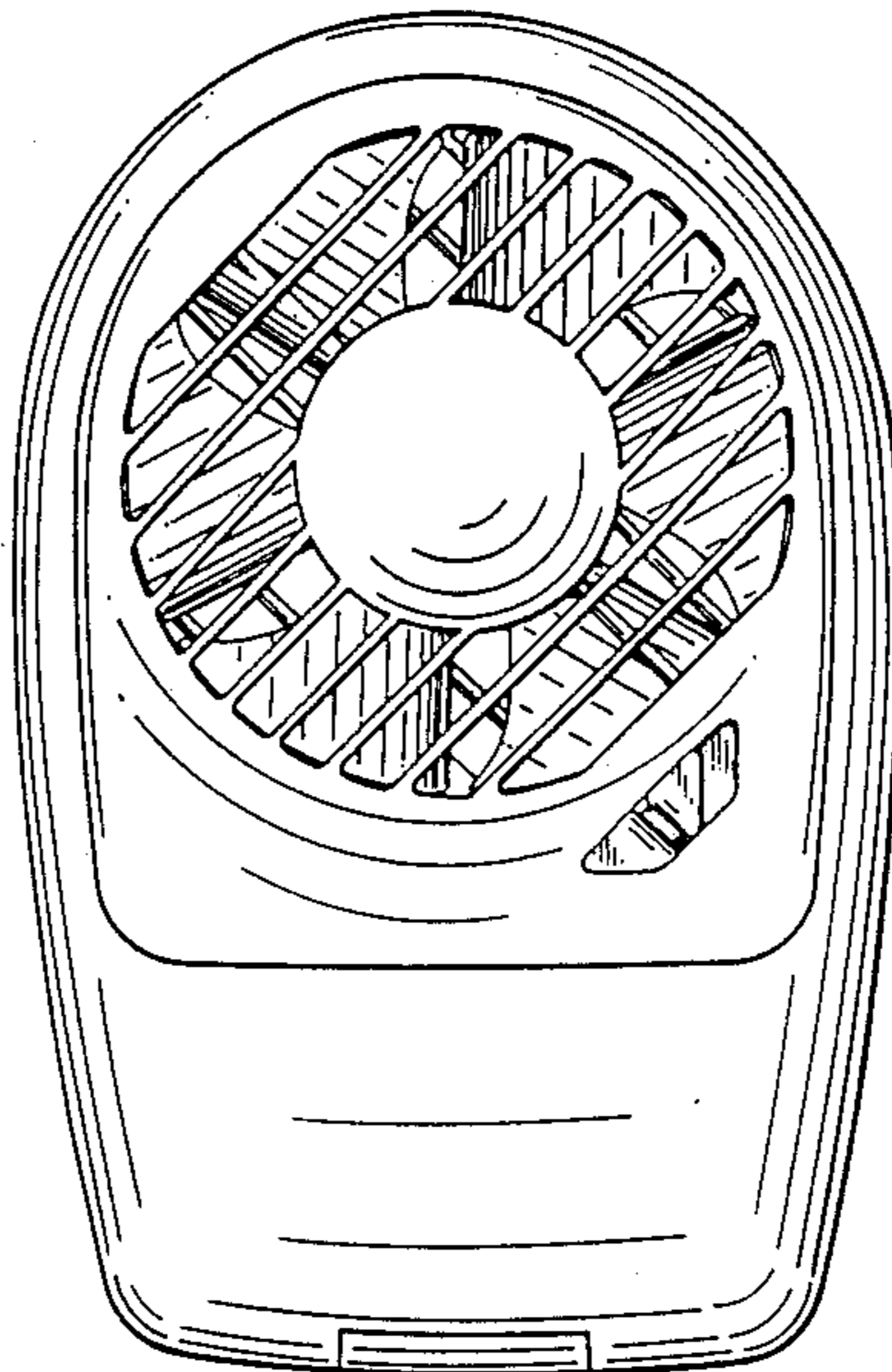
Primary Examiner—Wallace R. Burke
Assistant Examiner—Lisa Lichtenstein
Attorney, Agent, or Firm—Wegner, Cantor, Mueller & Player

[57] CLAIM

The ornamental design for a fan, as shown and described.

DESCRIPTION

FIG. 1 is a front elevational view of a fan, showing my new design;
FIG. 2 is a rear elevational view thereof;
FIG. 3 is a top plan view thereof;
FIG. 4 is a bottom plan view thereof;
FIG. 5 is a right side elevational view thereof;
FIG. 6 is a left side elevational view thereof;
FIG. 7 is a front perspective view thereof in erected condition; and
FIG. 8 is an exploded rear perspective view thereof showing the stand which normally covers the battery cover in the extended position, and showing the battery cover removed.



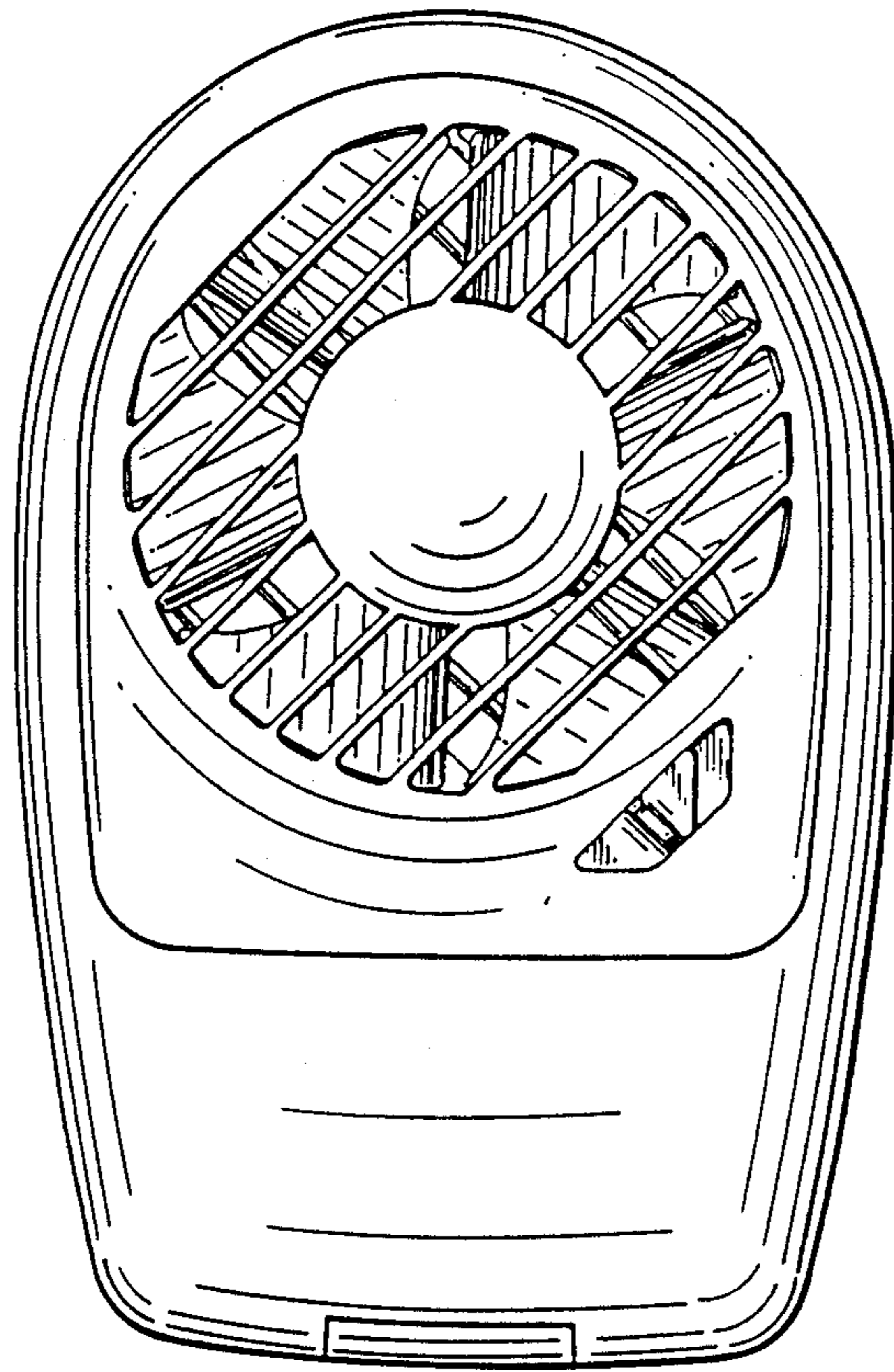


FIG. 1

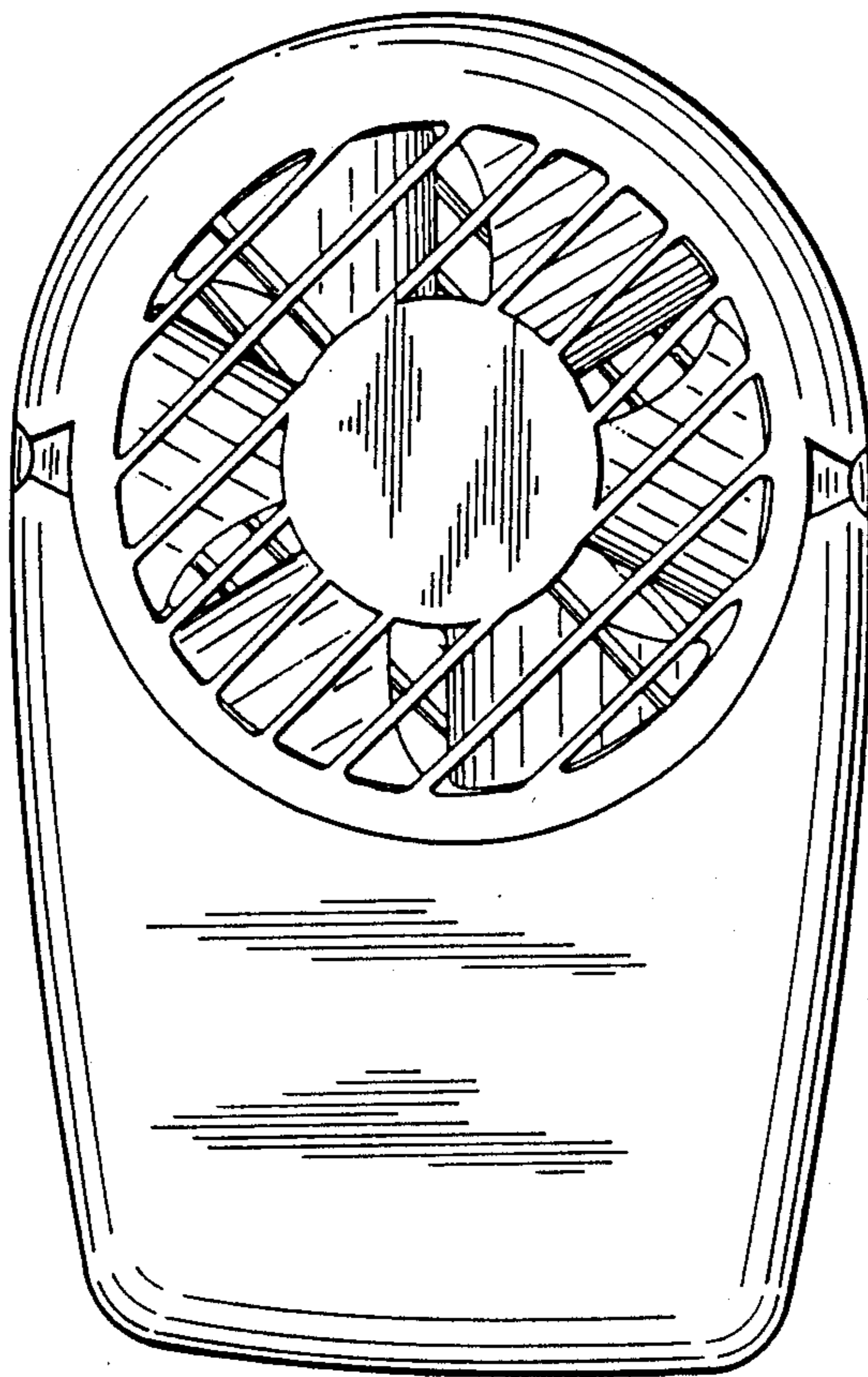


FIG. 2

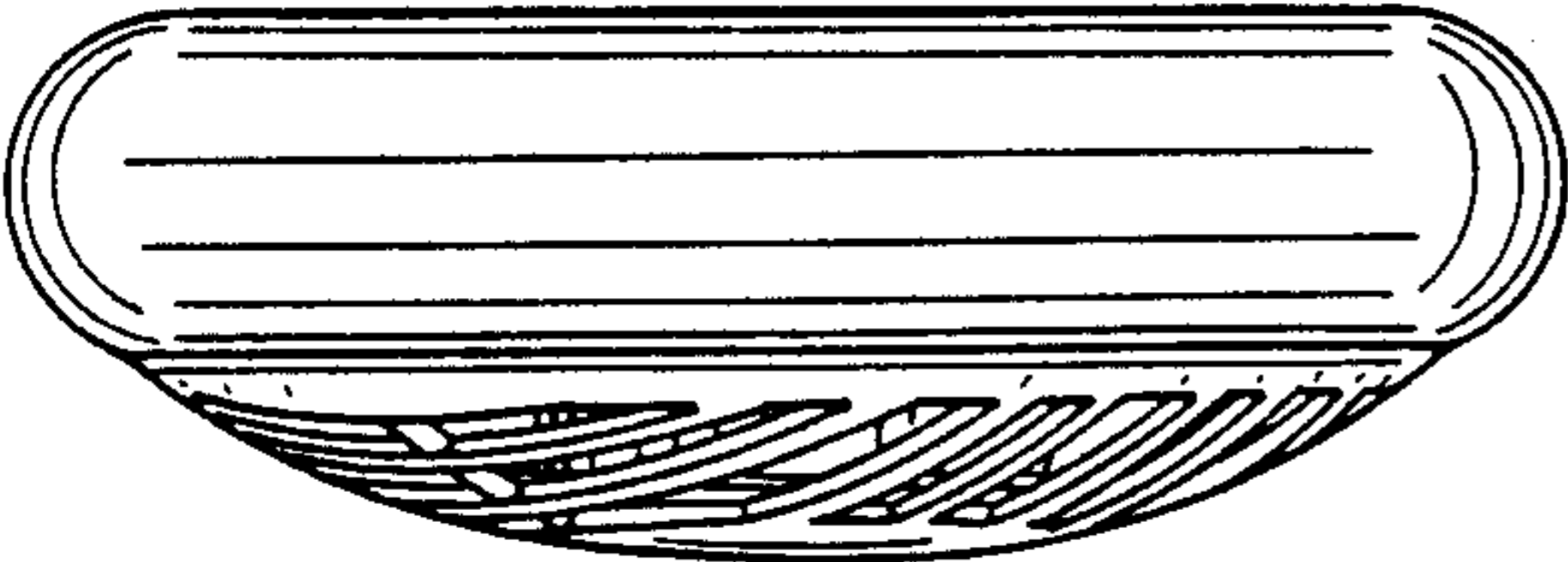


FIG. 3

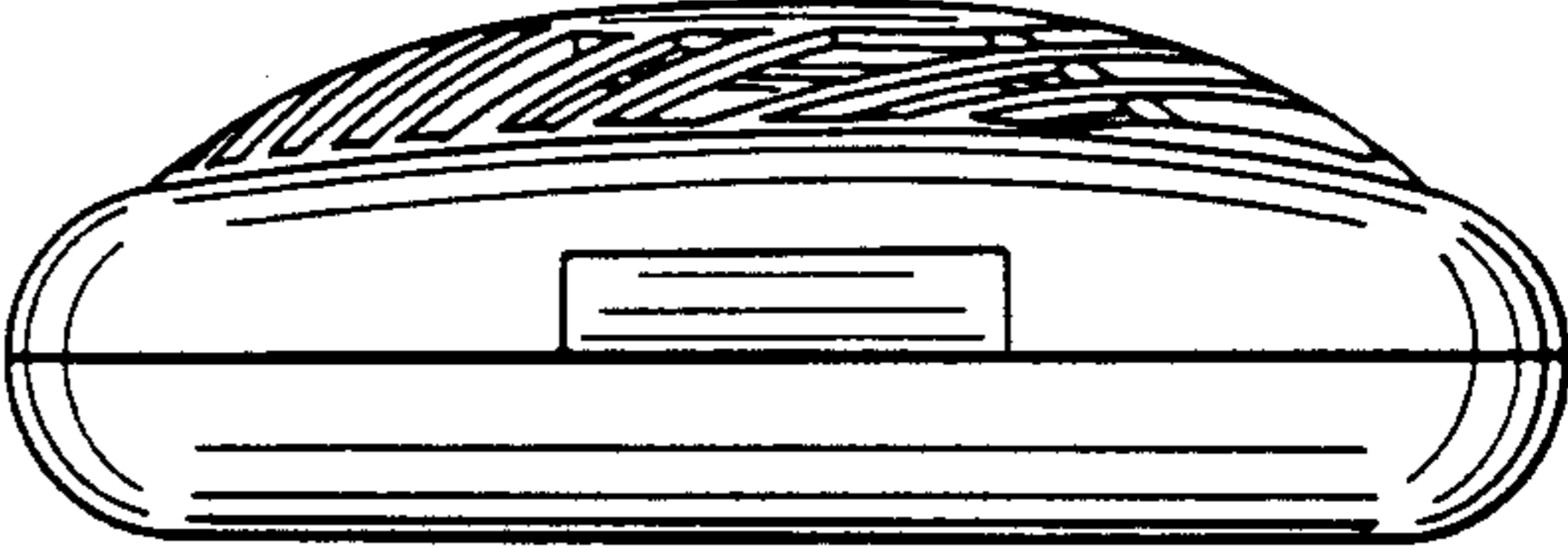


FIG. 4

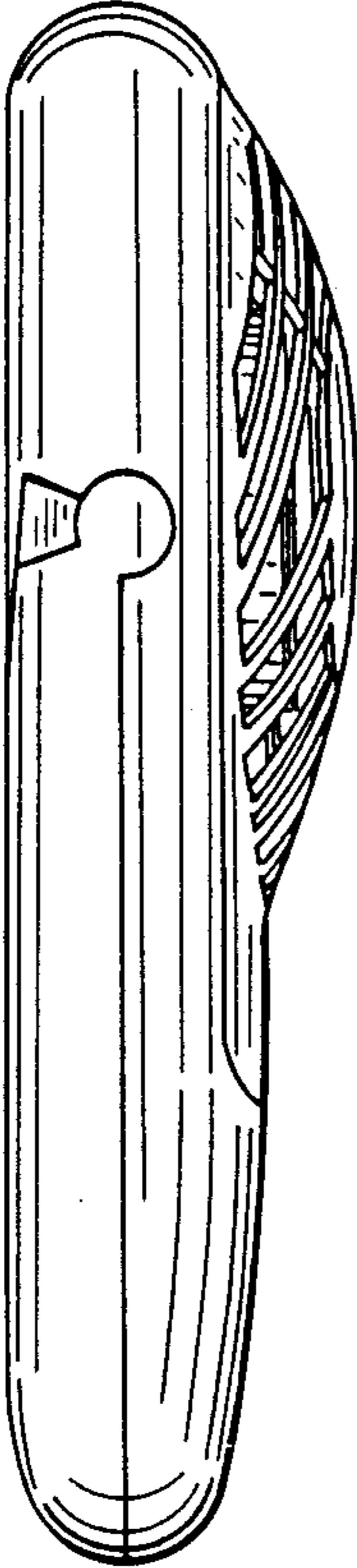


FIG. 5

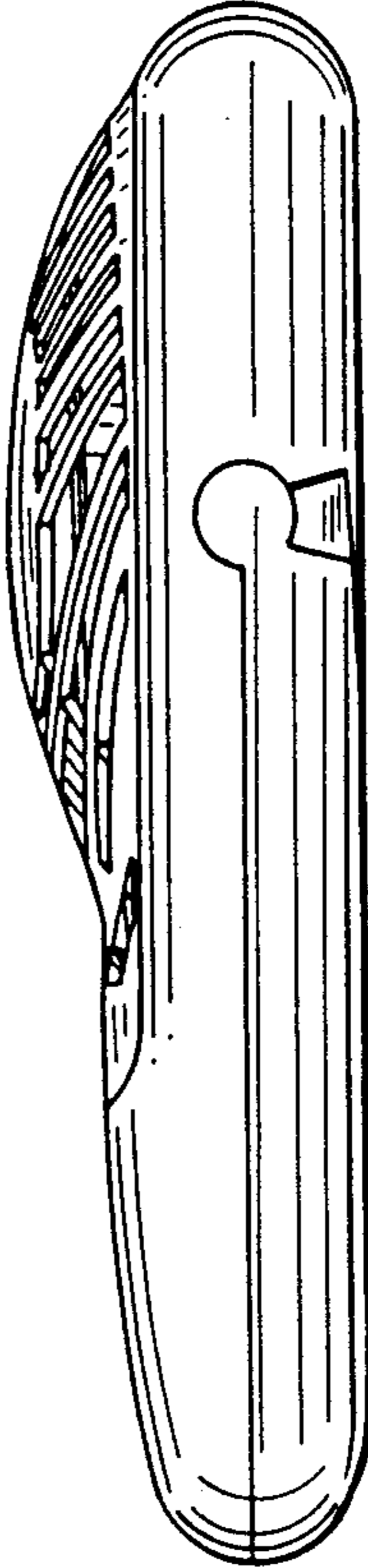
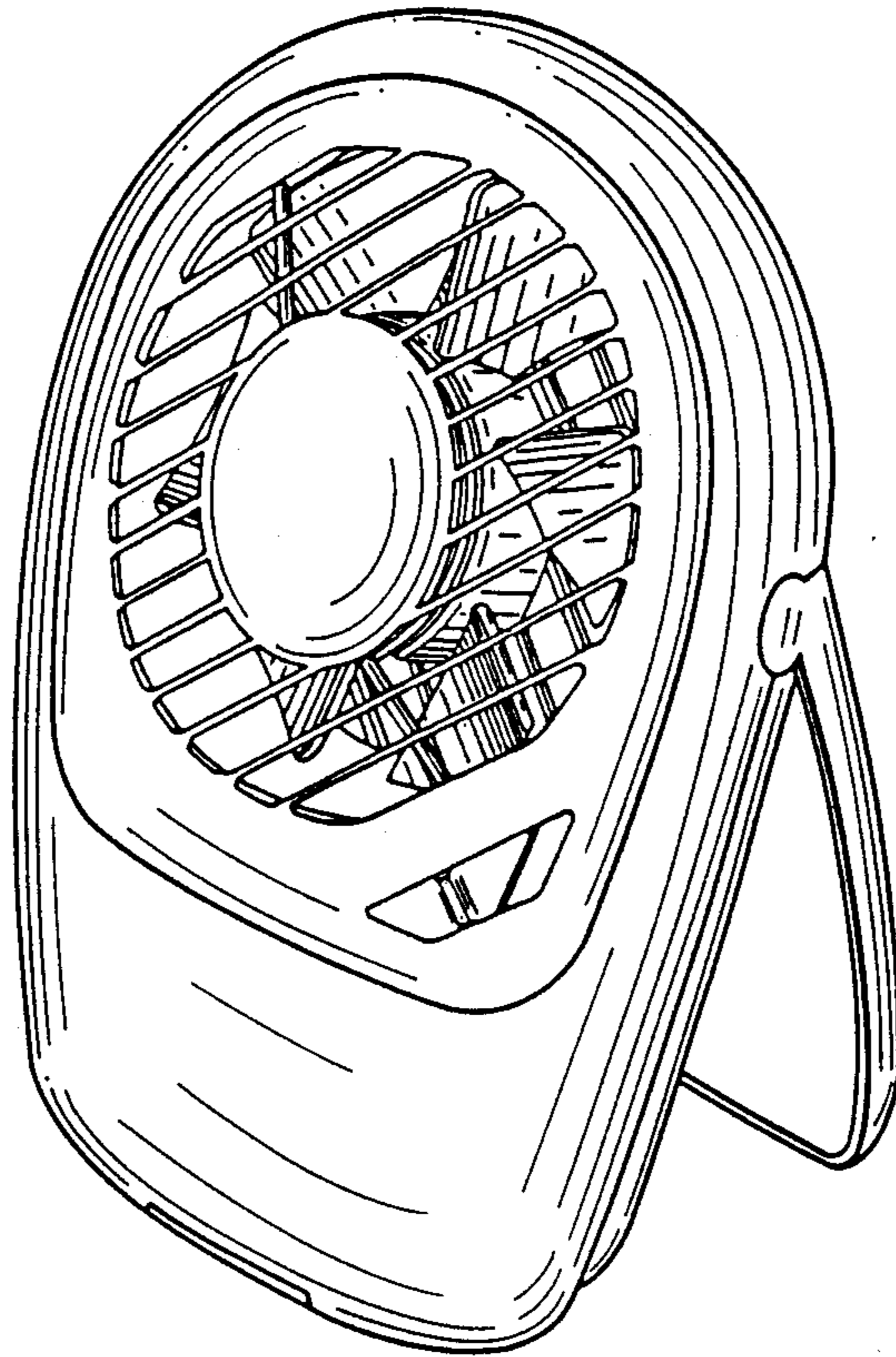


FIG. 6

FIG. 7



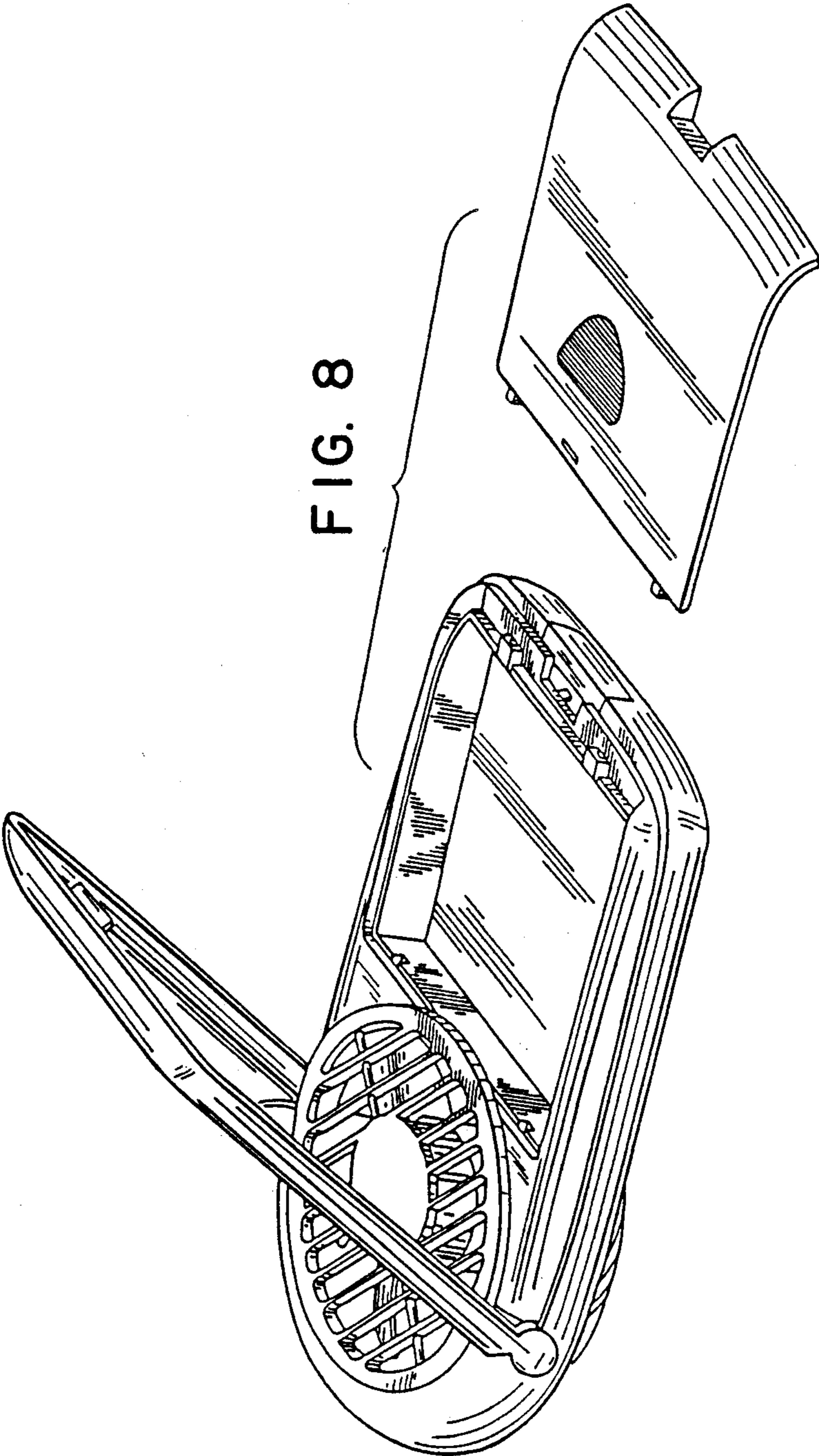


FIG. 8