

[54] BATHTUB

[75] Inventor: Harvey E. Diamond, Studio City, Calif.

[73] Assignee: Oasis Industries, Inc., Batavia, Ill.

[**] Term: 14 Years

[21] Appl. No.: 1,504

[22] Filed: Jan. 5, 1987

[52] U.S. Cl. D23/281

[58] Field of Search D23/270-283, D23/303-307; D24/38, 39; 4/513, 538-544, 546, 559, 571-579, 584, 589, 590

[56] References Cited

U.S. PATENT DOCUMENTS

D. 216,119	11/1969	Kaiser	D23/281
D. 216,466	1/1970	Armstrong et al.	D23/277
D. 244,855	6/1977	Doman	D23/281
D. 253,008	9/1979	Guigues	D23/281
D. 253,547	11/1979	Beddome et al.	D23/281
D. 276,456	11/1984	Primault	D23/281
D. 277,128	1/1985	Daniels	D23/281
D. 288,350	2/1987	Diamond	D23/280
D. 288,470	2/1987	Diamond	D23/277

Primary Examiner—James R. Largen

[57] CLAIM

The ornamental design for bathtub, as shown and described.

DESCRIPTION

FIG. 1 is a top perspective view of a bathtub showing my new design;
 FIG. 2 is a top plan view thereof;
 FIG. 3 is a side elevational view thereof, the opposite side being the same as the side shown;
 FIG. 4 is an end elevational view thereof;
 FIG. 5 is an elevational view taken from the end opposite that shown in FIG. 4;
 FIG. 6 is a cross-sectional view taken along line 6—6 of FIG. 2;
 FIG. 7 is an enlarged fragmentary cross-sectional view taken along line 7—7 of FIG. 2;
 FIG. 8 is a top perspective view of a second embodiment of the bathtub shown in FIG. 1;
 FIG. 9 is a top plan view of FIG. 8;
 FIG. 10 is a side elevational view of FIG. 8, the opposite side being a mirror image of the side shown;
 FIG. 11 is an end elevational view of FIG. 8;
 FIG. 12 is an elevational view taken from the end opposite that shown in FIG. 11;
 FIG. 13 is a cross-sectional view taken along line 13—13 of FIG. 8; and
 FIG. 14 is an enlarged fragmentary cross-sectional view taken along line 14—14 of FIG. 8.

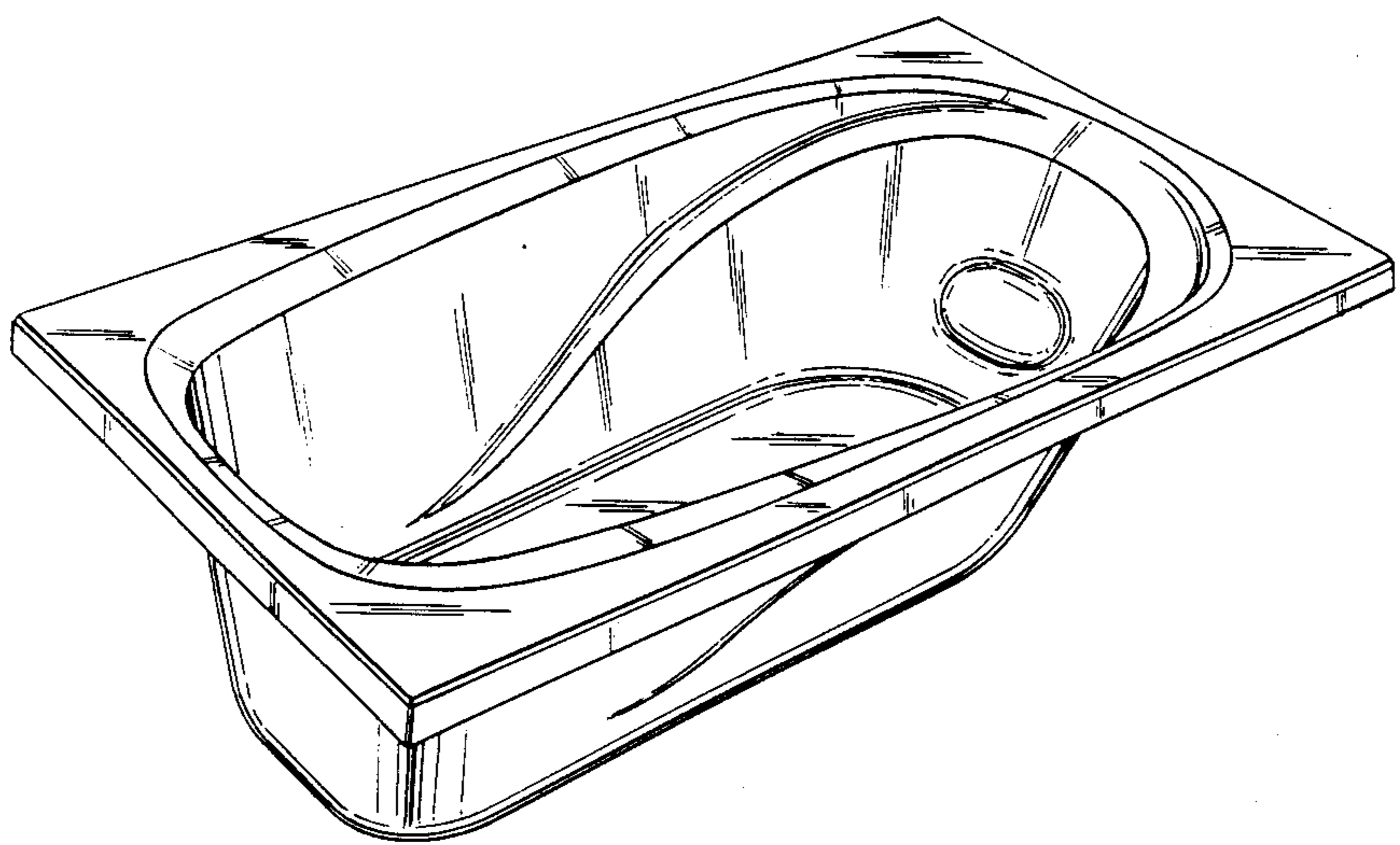


Fig. 1

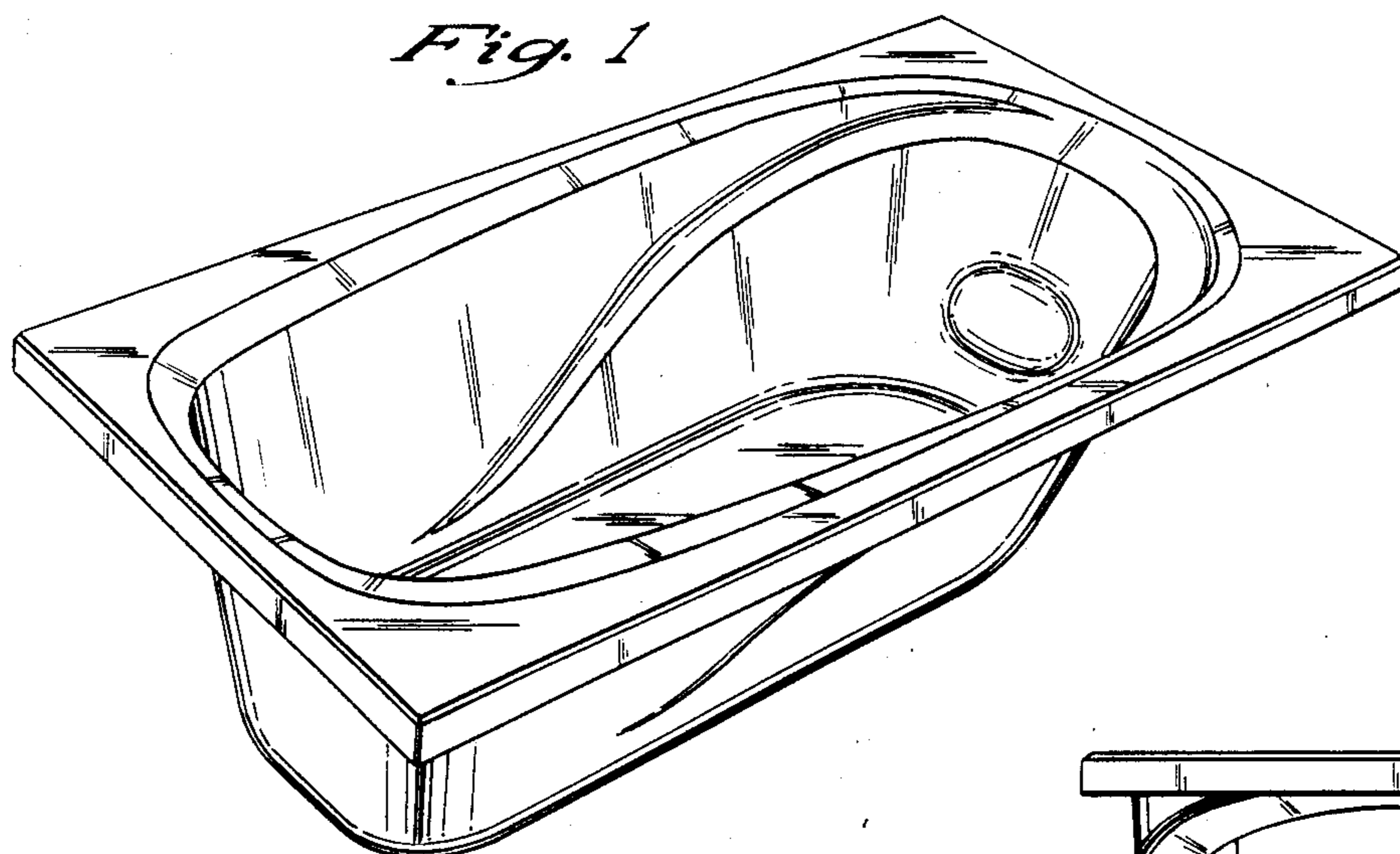


Fig. 4

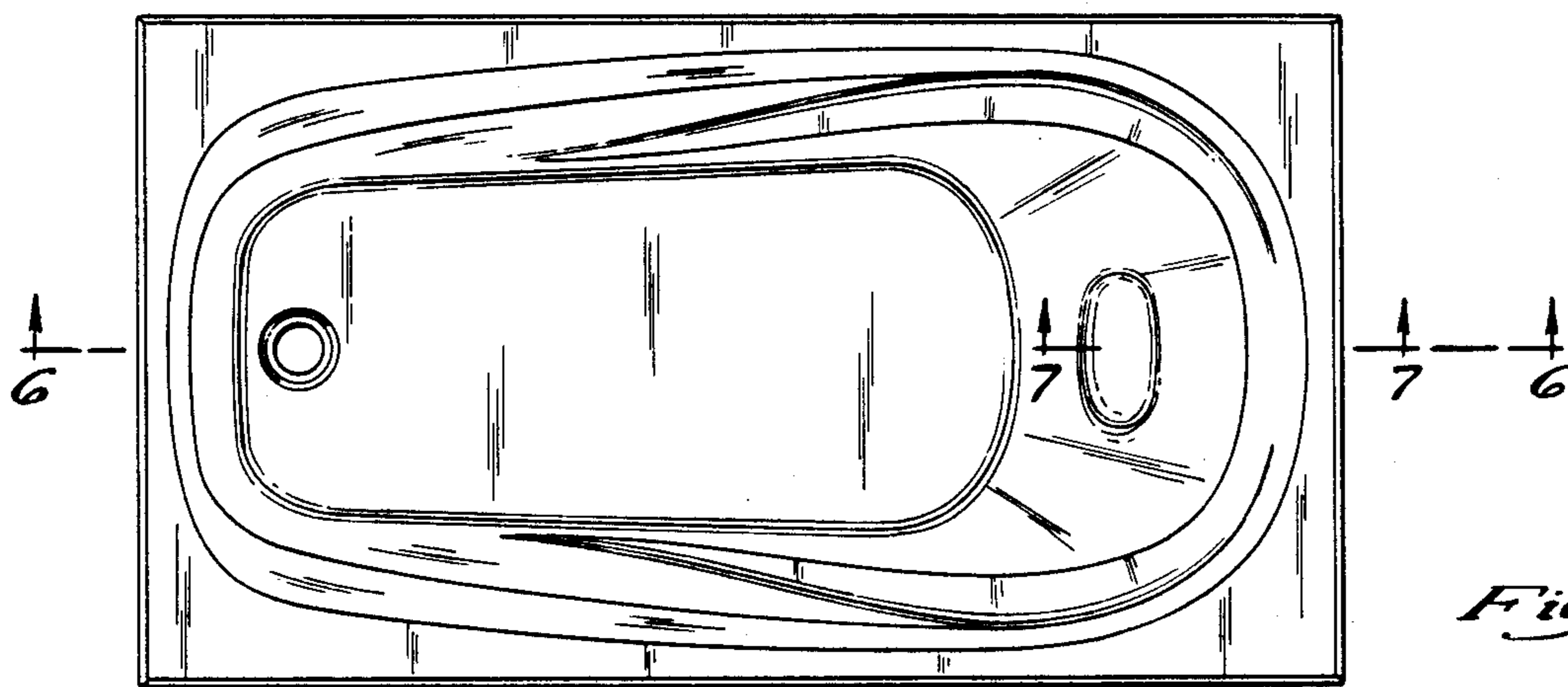
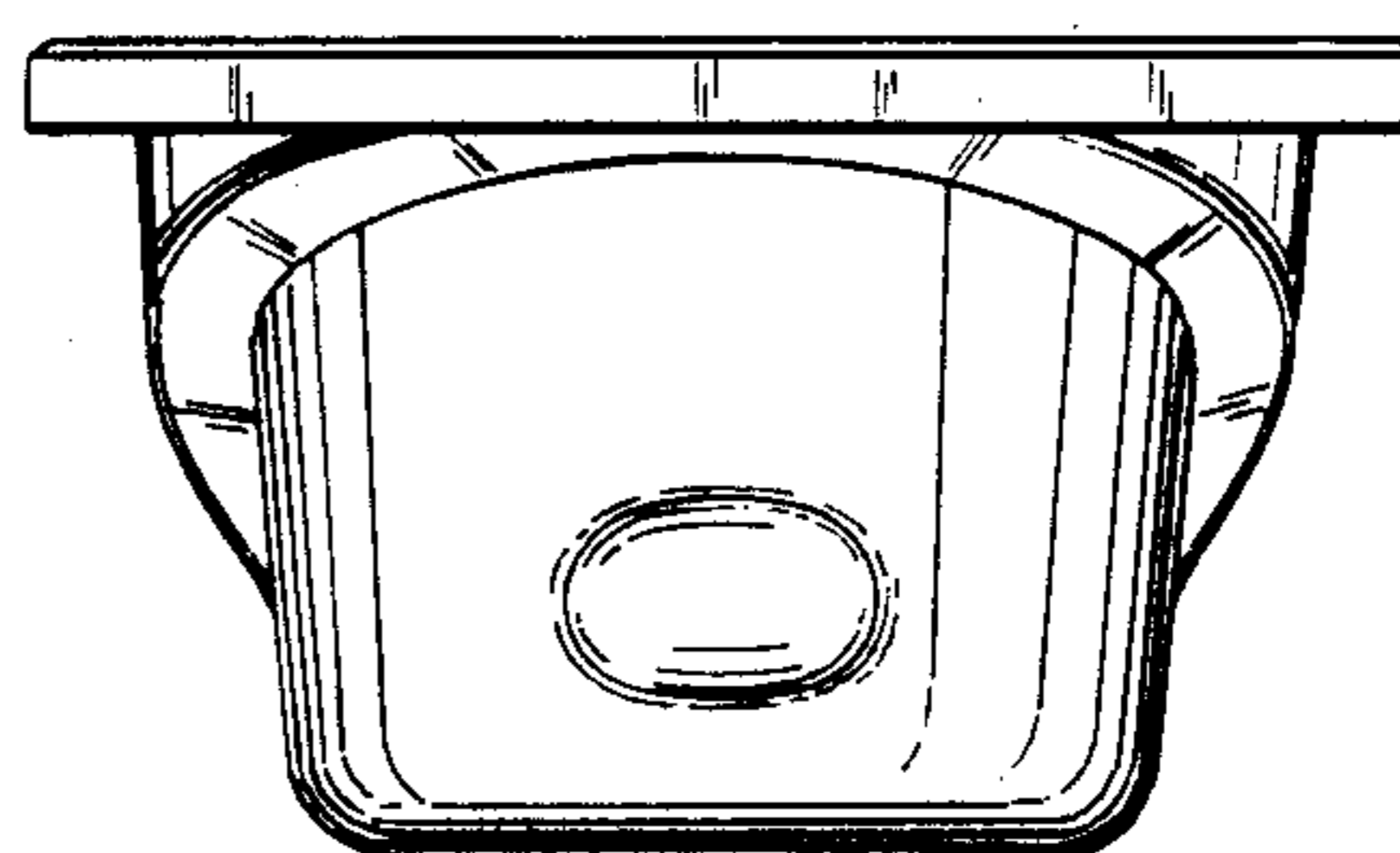


Fig. 2

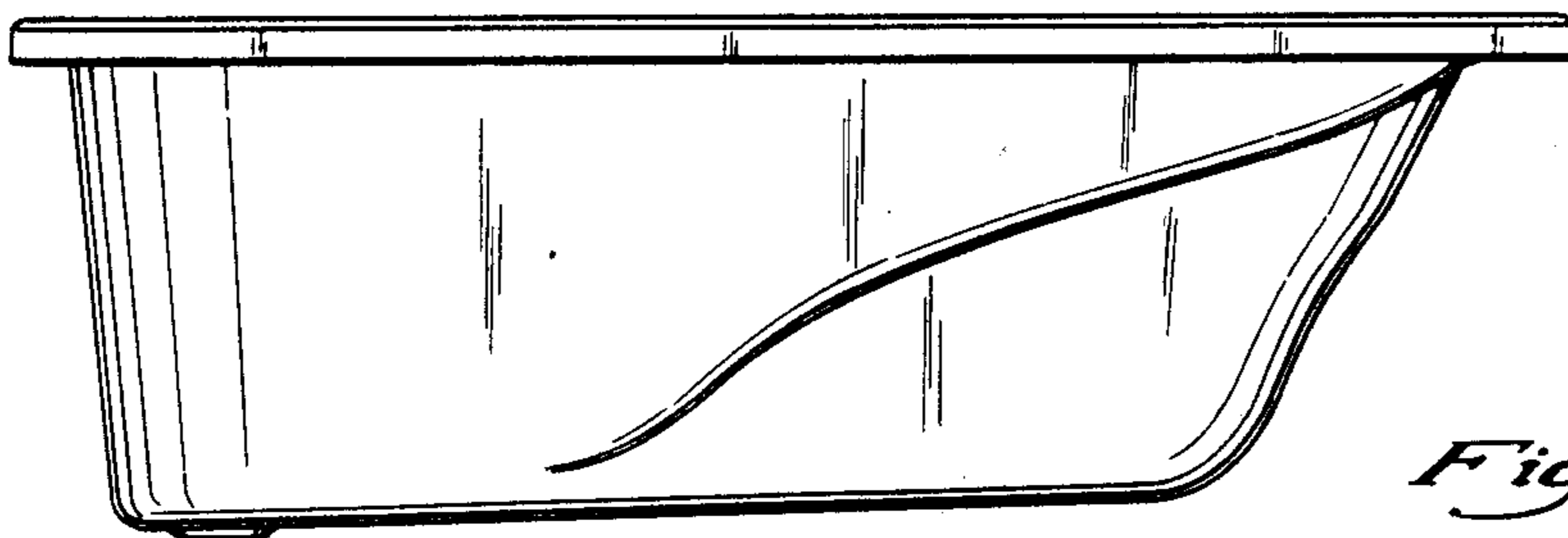


Fig. 3

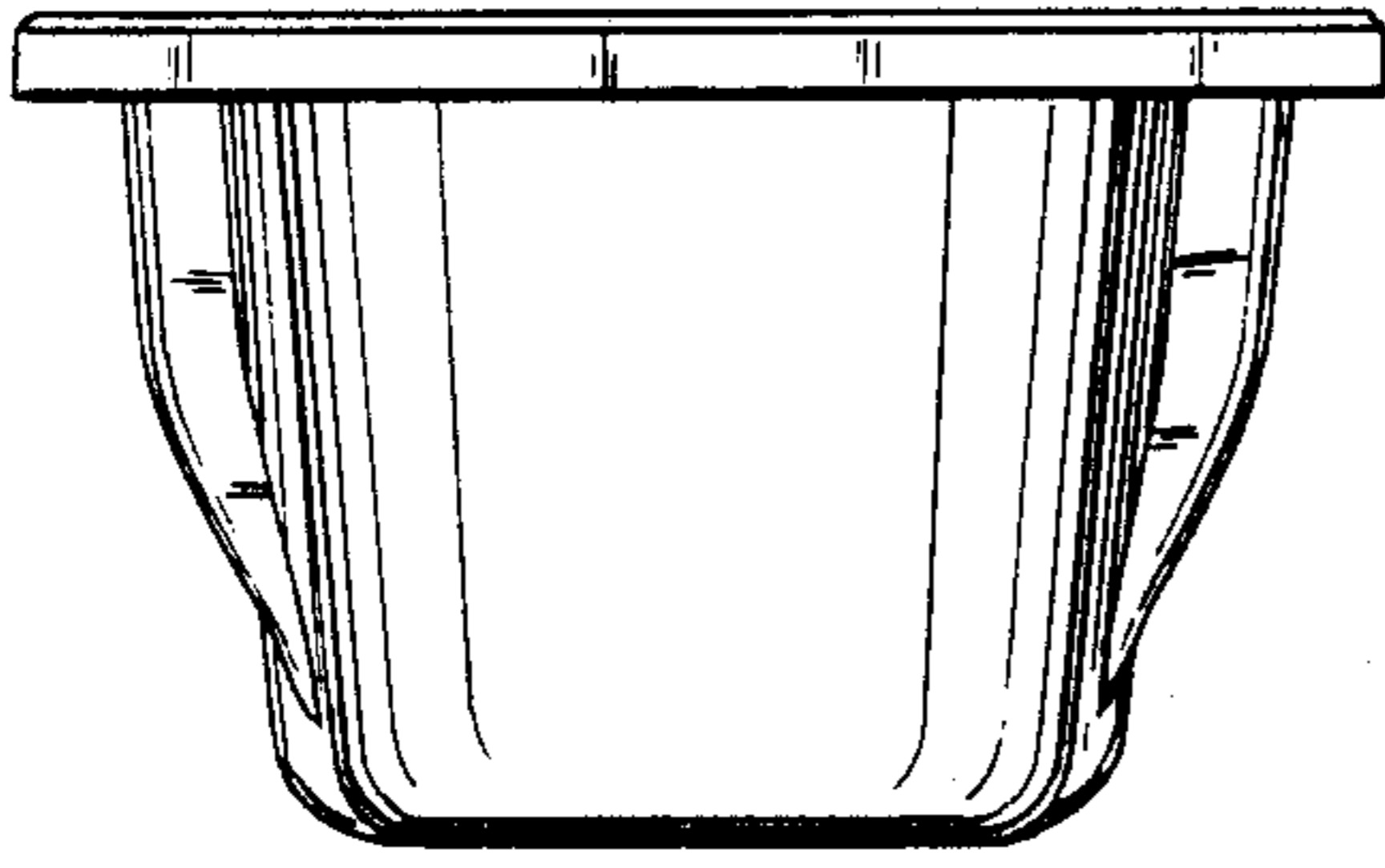


Fig. 5

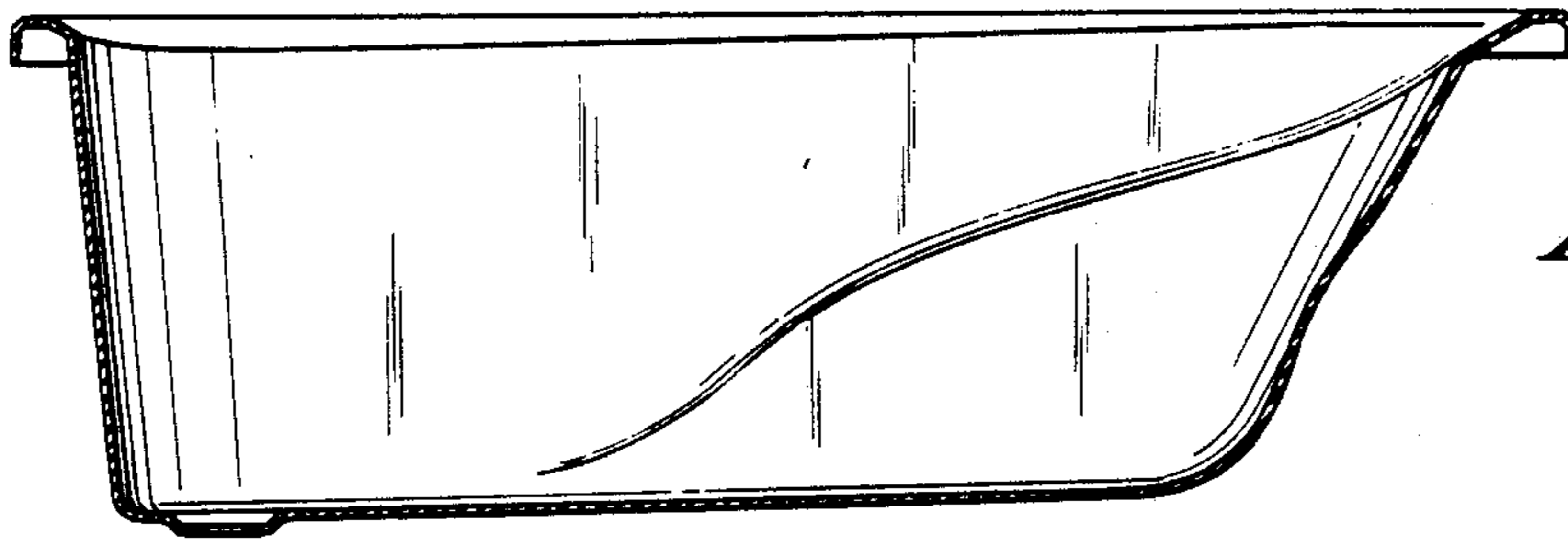


Fig. 6

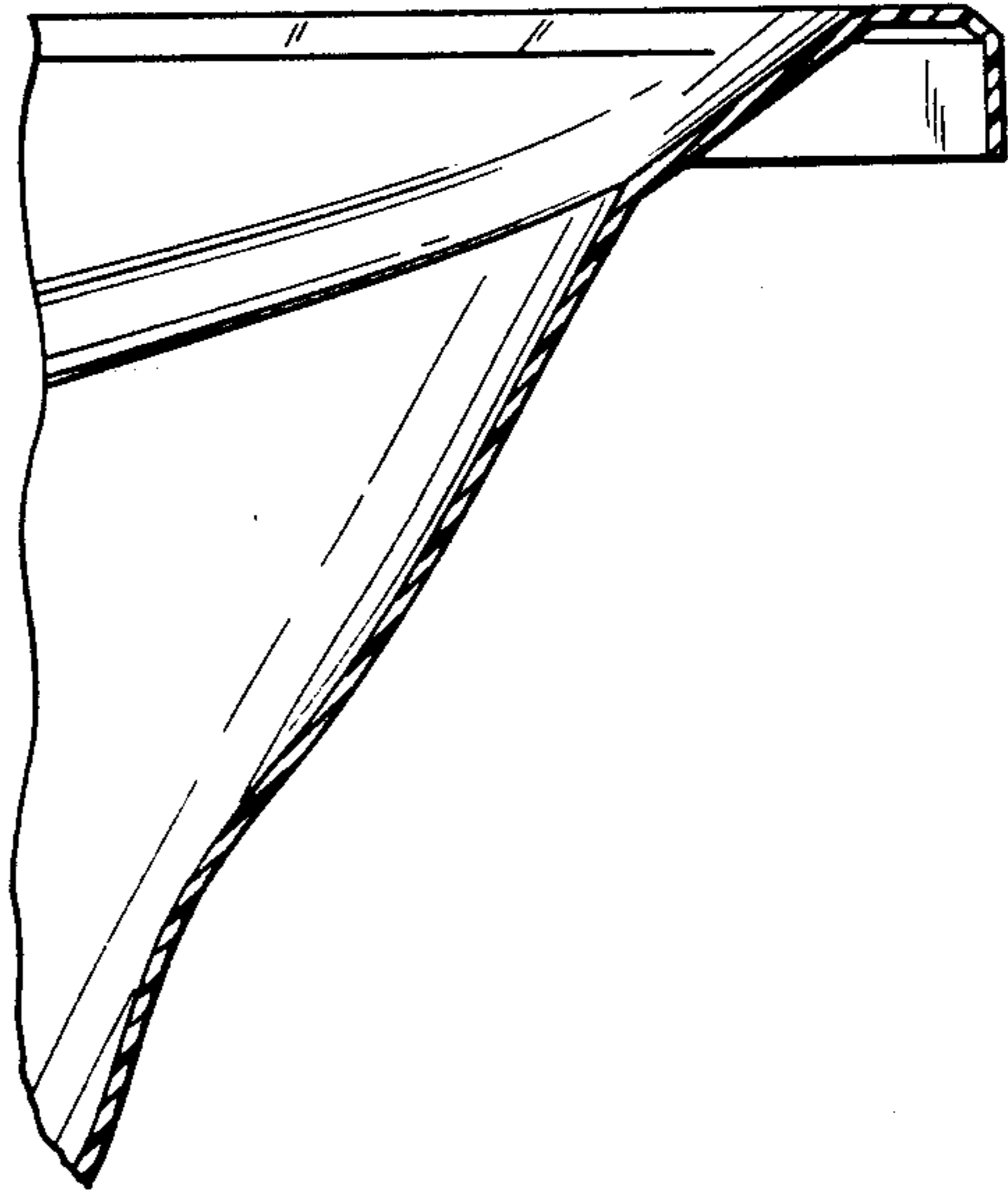


Fig. 7

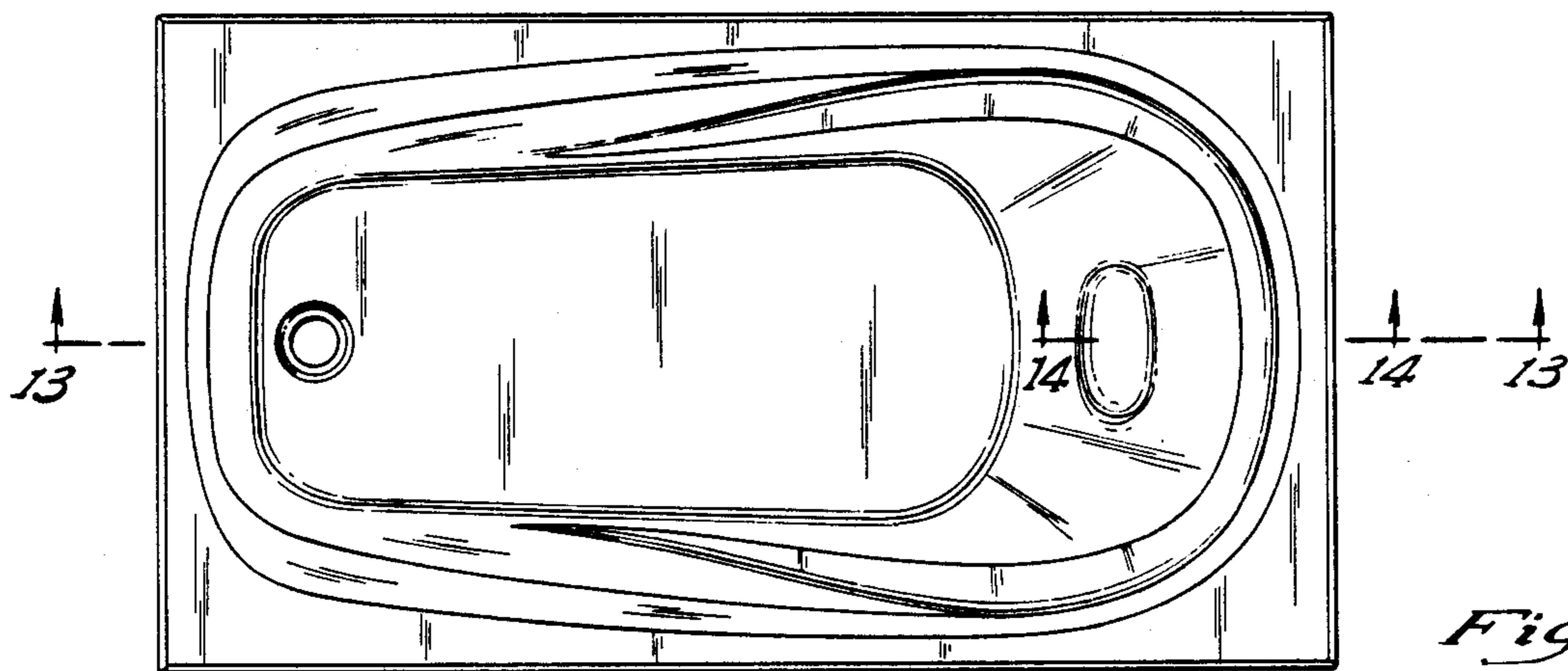
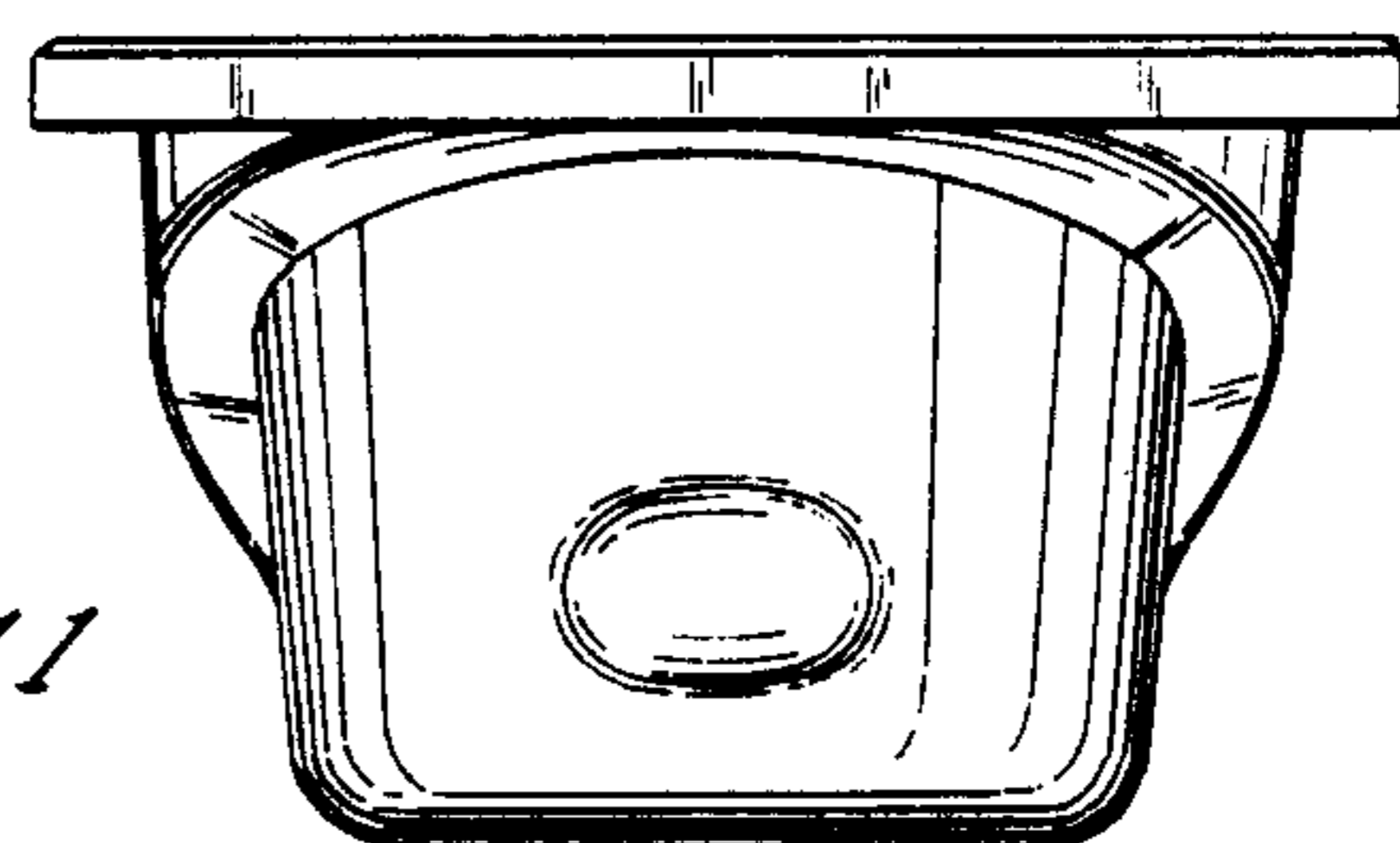
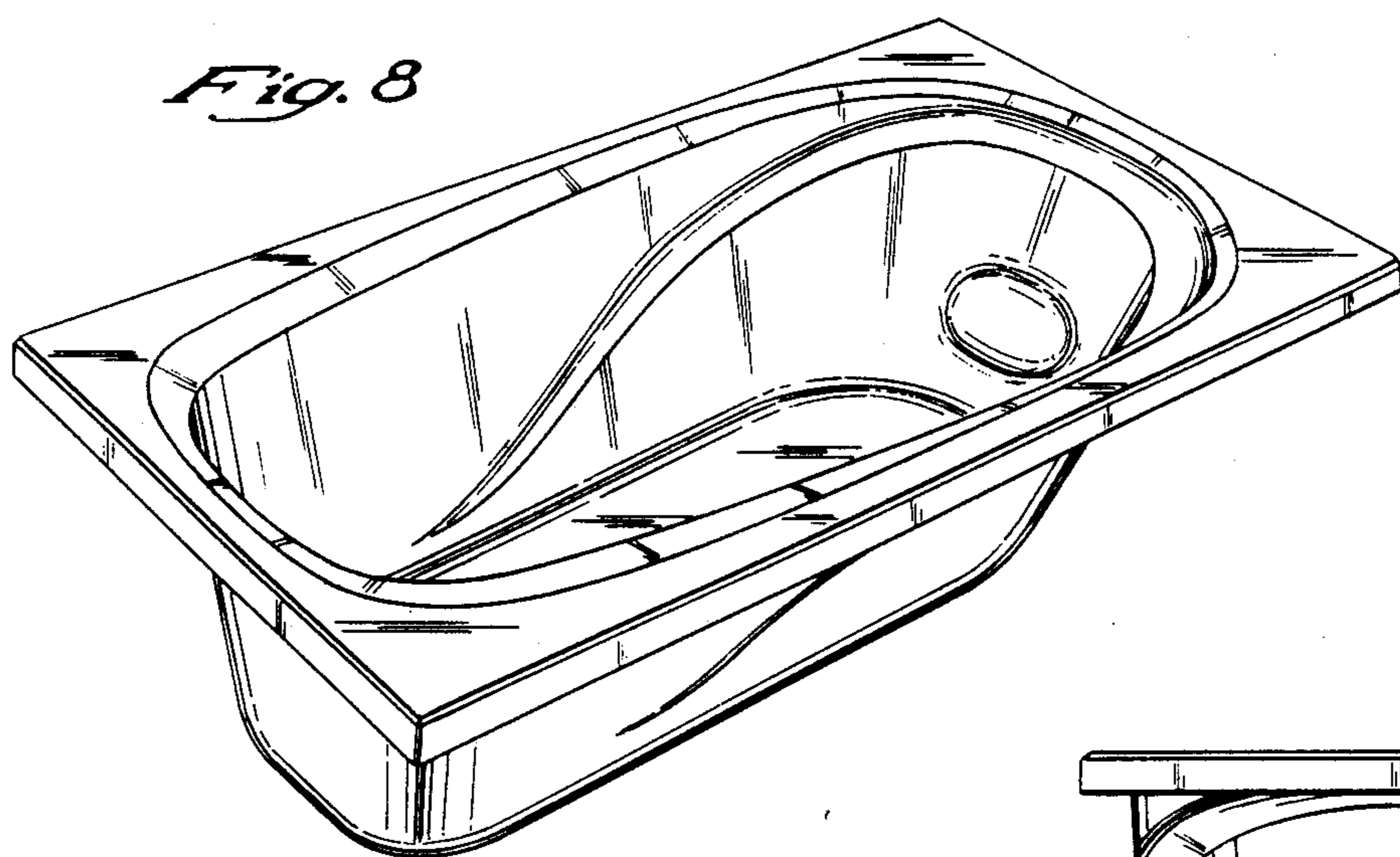


Fig. 9

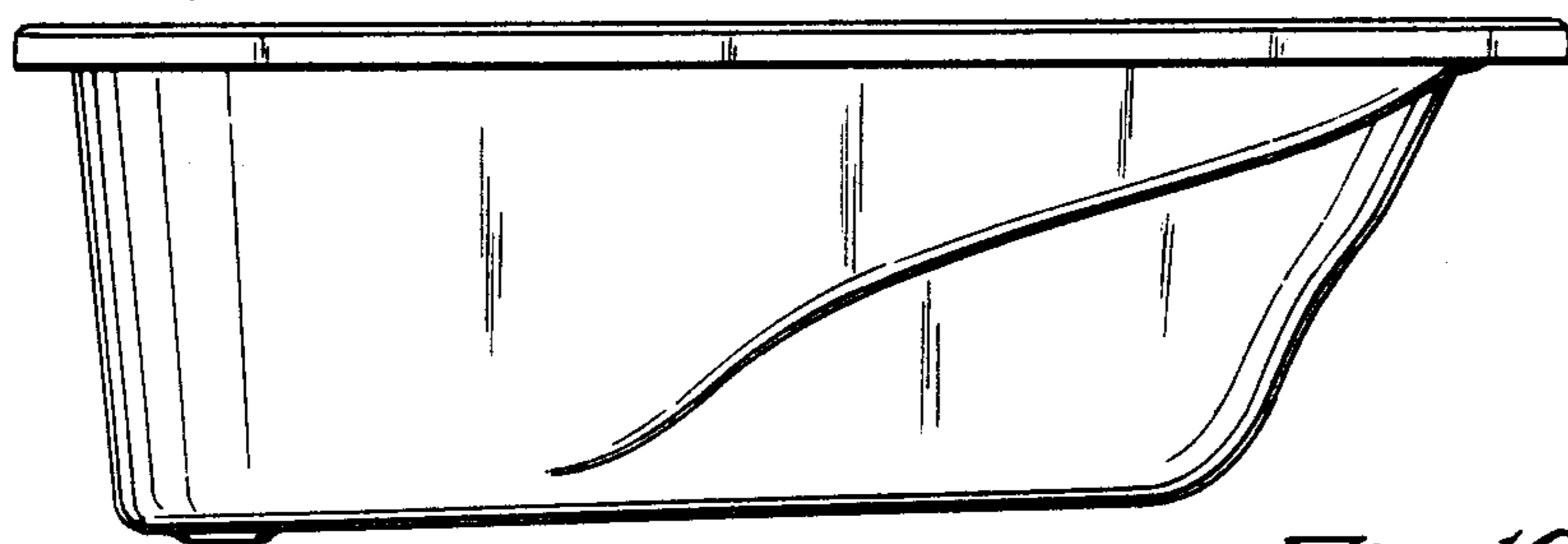


Fig. 10

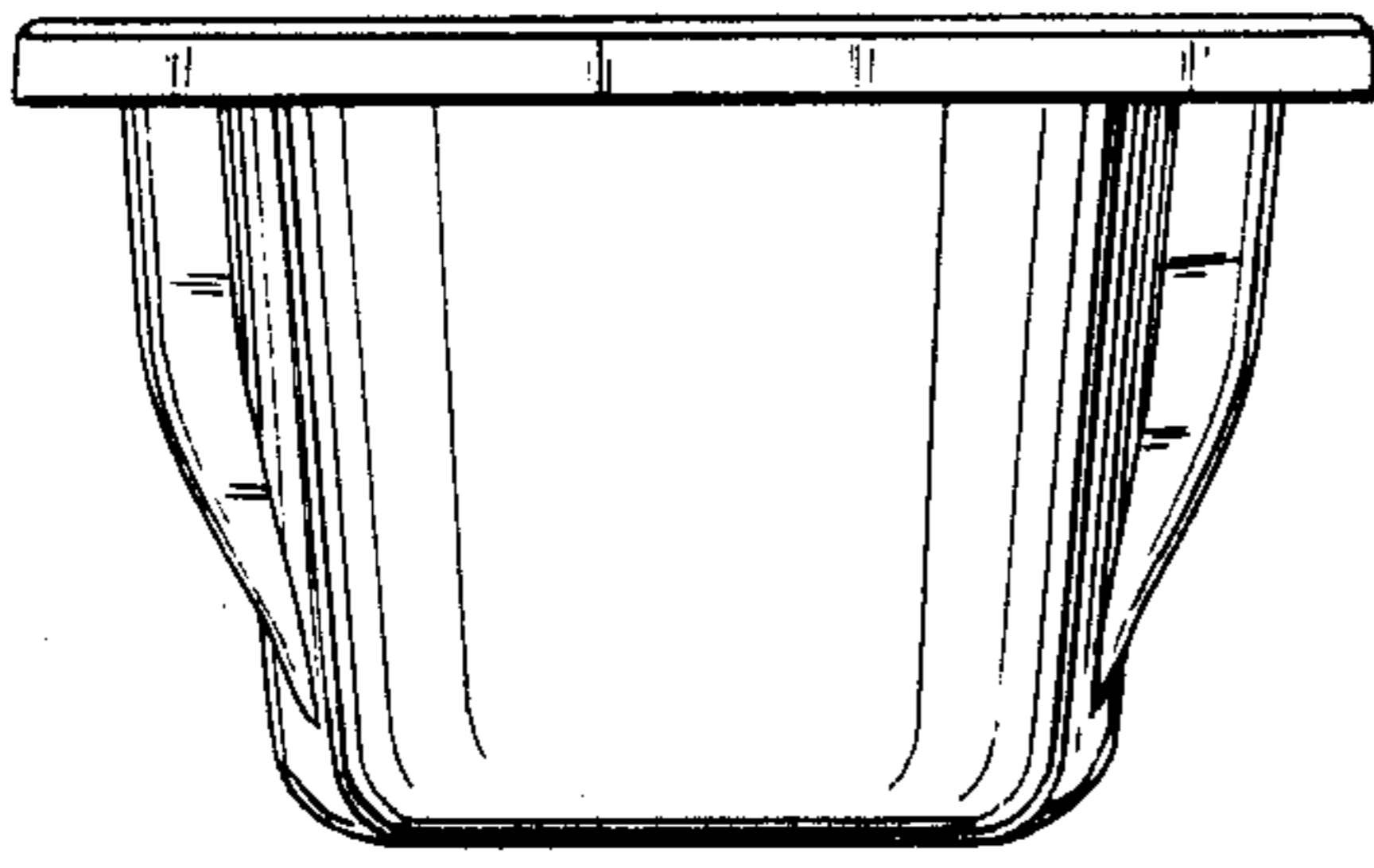


Fig. 12

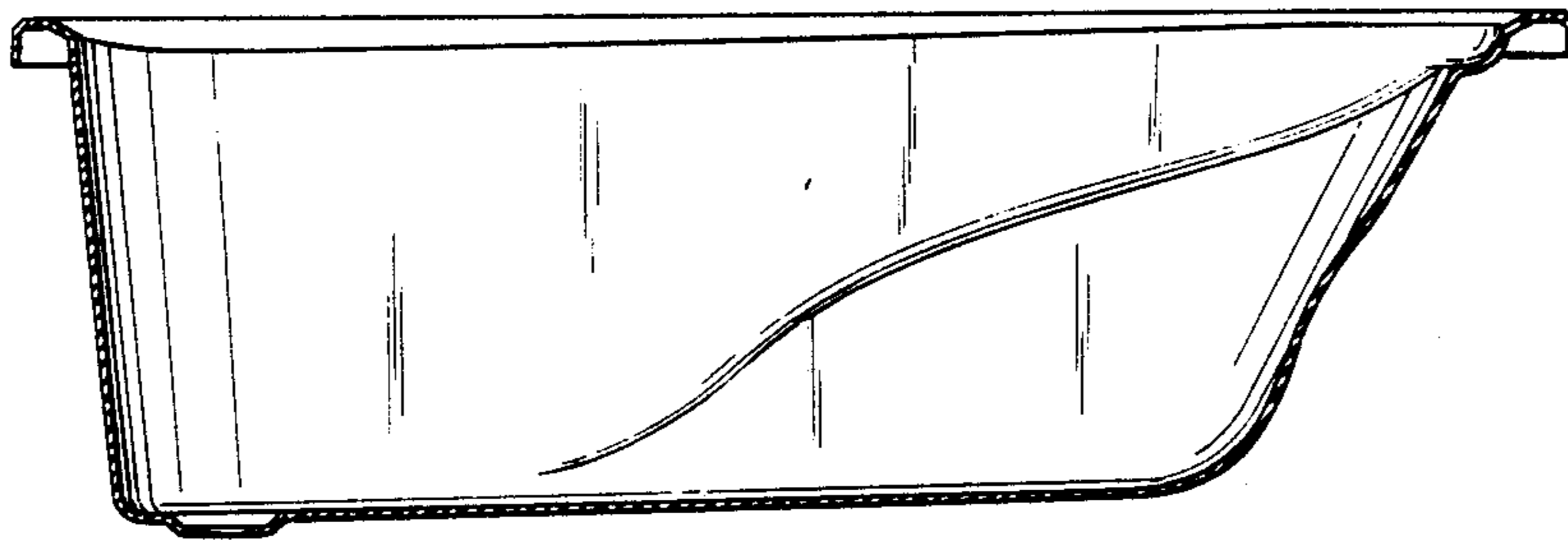


Fig. 13

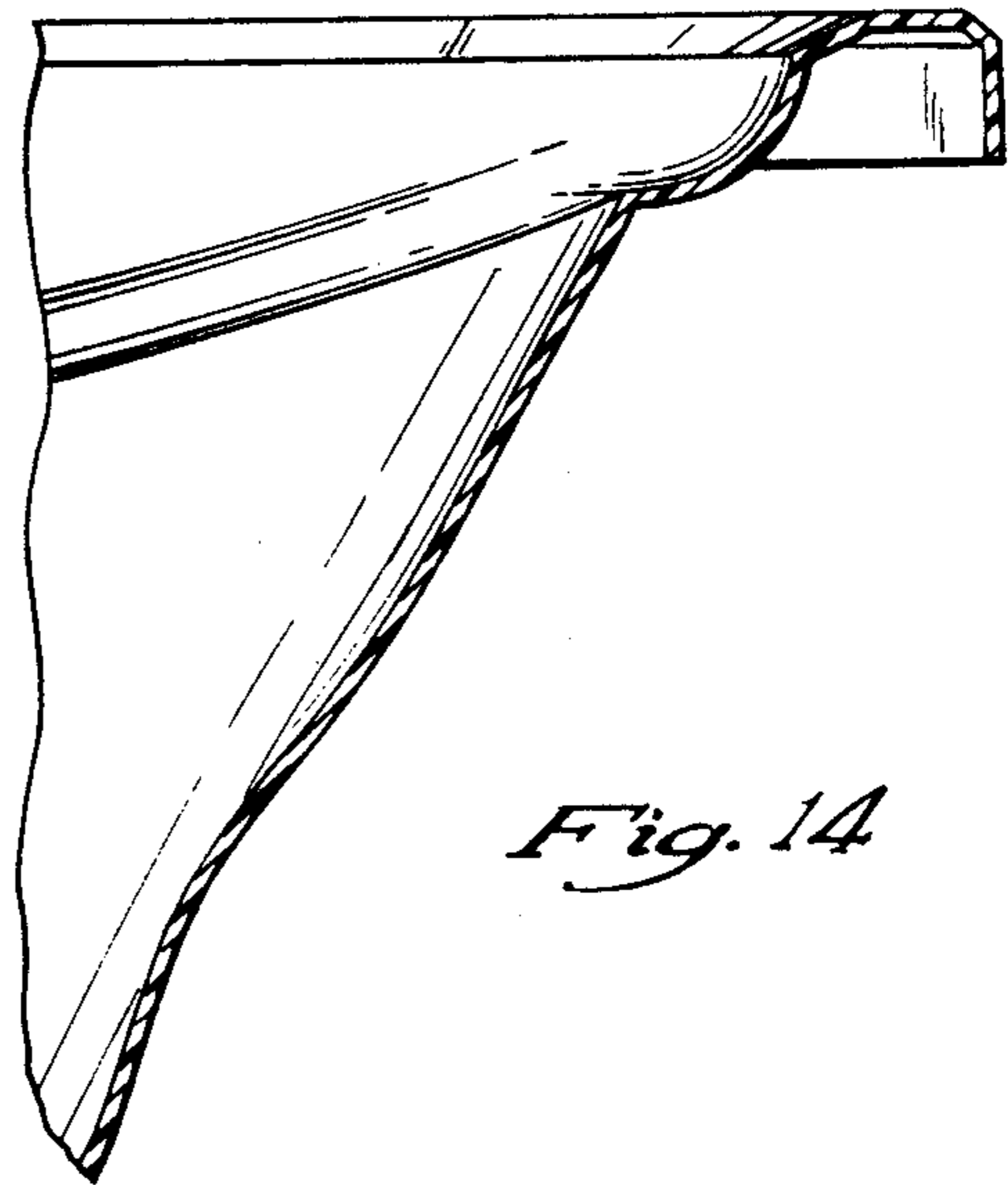


Fig. 14