

[54] **SPRAY GUN**

[76] **Inventor:** Arther Lin, No. 135, Jen Ai Street,  
Sanchun, Taipei Hsien, Taiwan

[\*\*] **Term:** 14 Years

[21] **Appl. No.:** 146,387

[22] **Filed:** Jan. 21, 1988

[52] **U.S. Cl.** ..... D23/226

[58] **Field of Search** ..... D23/213, 223, 224, 226,  
D23/227, 229; 239/414, 415, 301, 332, 373, 394,  
525, 532, 554, 556, 526; 222/568; 251/244

[56] **References Cited**

**U.S. PATENT DOCUMENTS**

D. 133,223	7/1942	Tammen	.....	D23/226
1,969,205	8/1934	Carr et al.	.....	239/526
2,827,330	3/1958	Baur	.....	239/415
3,032,277	5/1962	Petty	.....	239/414 X

**FOREIGN PATENT DOCUMENTS**

3230247	2/1984	Fed. Rep. of Germany	.....	239/532
204999	5/1966	Sweden	.....	239/415

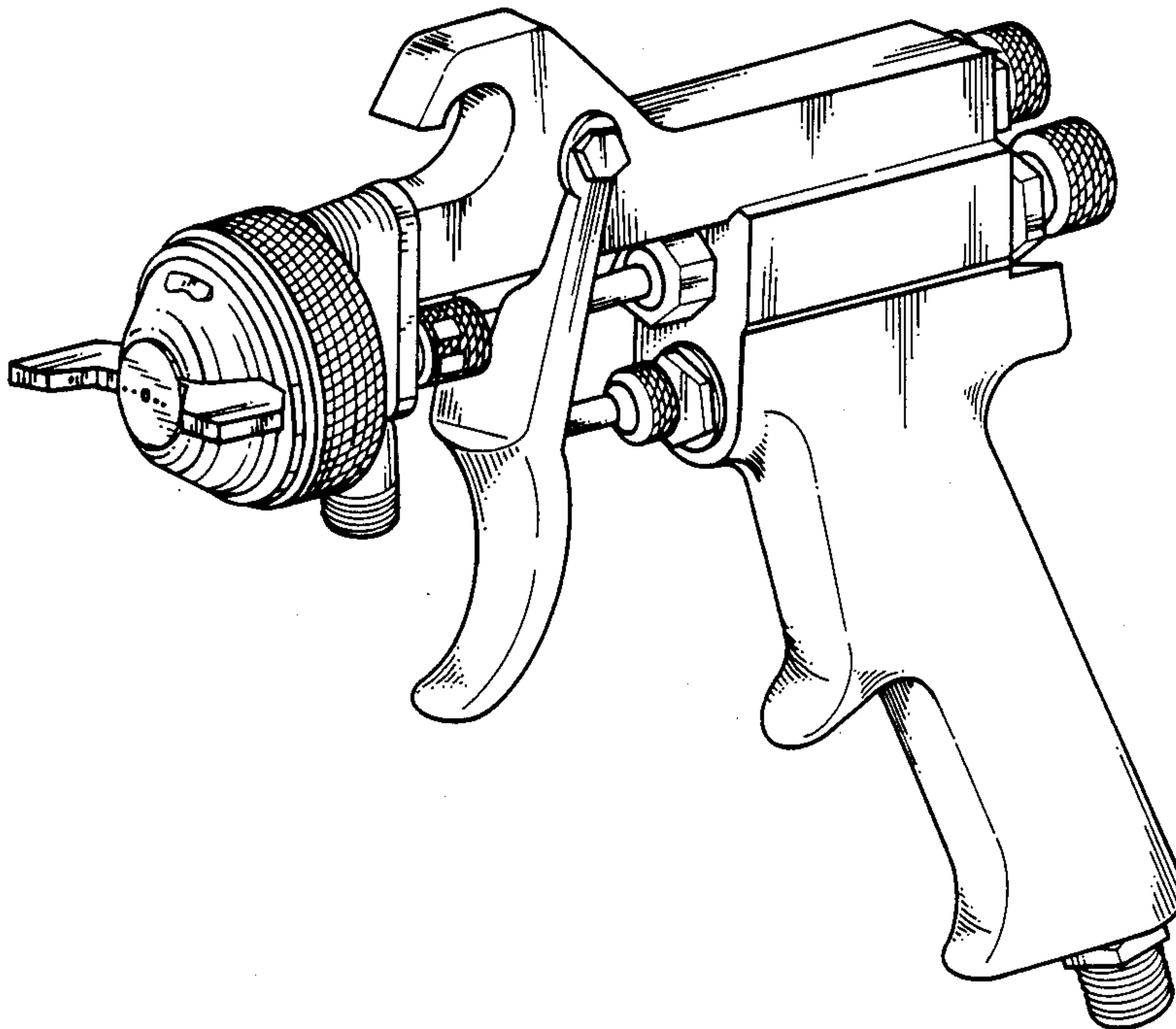
*Primary Examiner*—Susan J. Lucas  
*Assistant Examiner*—M. H. Tung  
*Attorney, Agent, or Firm*—Lowe, Price, LeBlanc,  
Becker & Shur

[57] **CLAIM**

The ornamental design for a spray gun, as shown.

**DESCRIPTION**

FIG. 1 is a perspective view of a spray gun showing my new design;  
FIG. 2 is a front elevational view thereof;  
FIG. 3 is a rear elevational view thereof;  
FIG. 4 is a right side elevational view thereof;  
FIG. 5 is a left side elevational view thereof;  
FIG. 6 is a top plan view thereof; and  
FIG. 7 is a bottom plan view thereof.



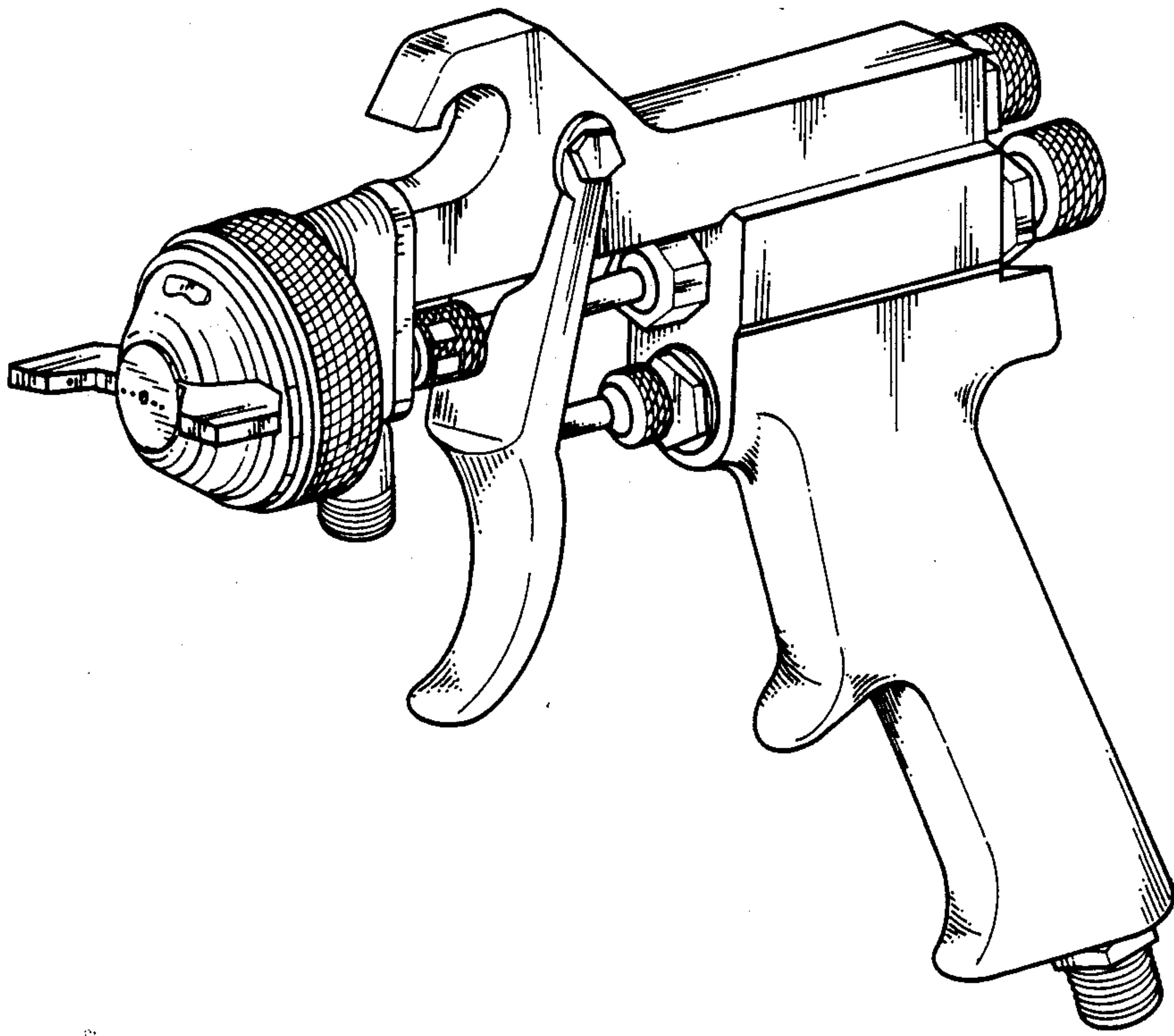


Fig. 1

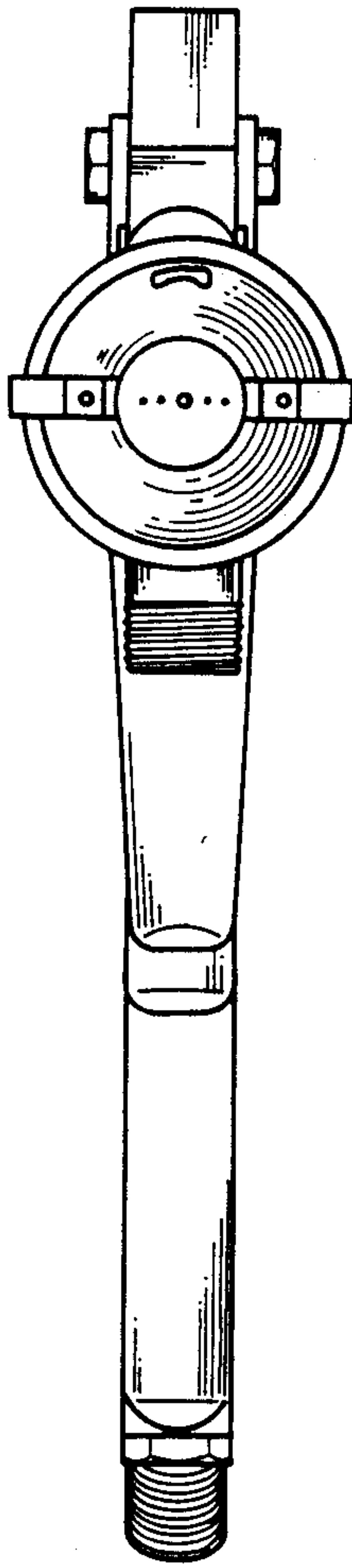


Fig. 2

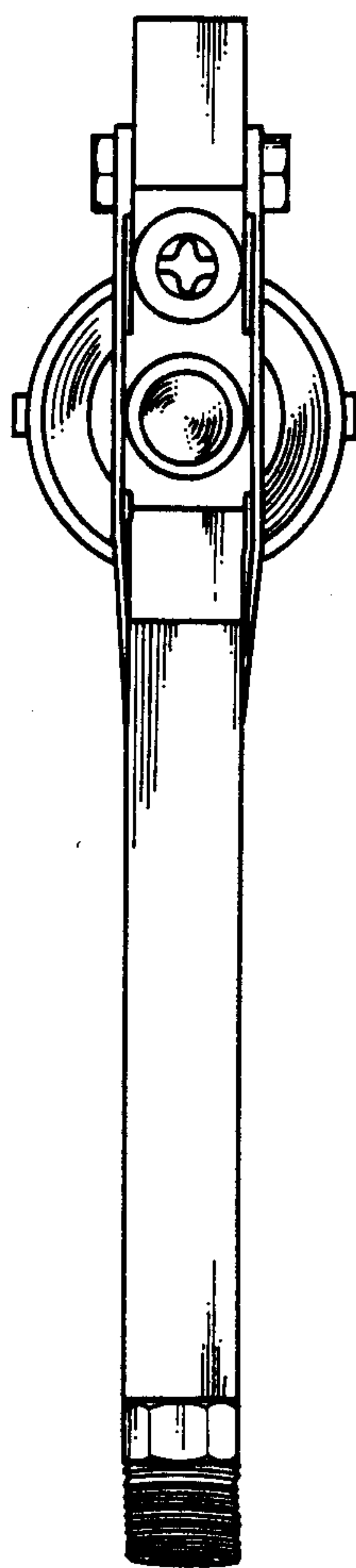


Fig. 3

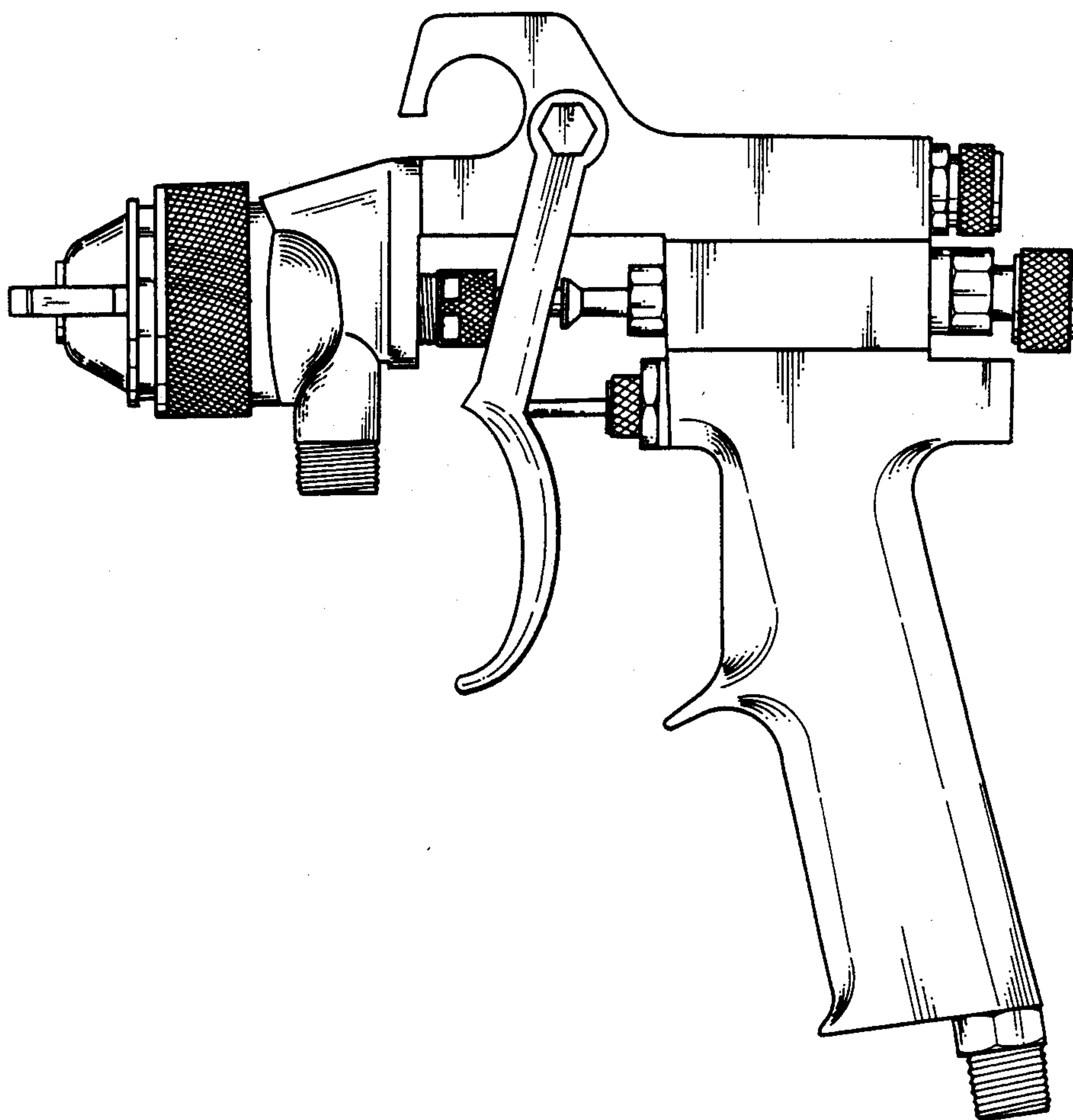


Fig. 4

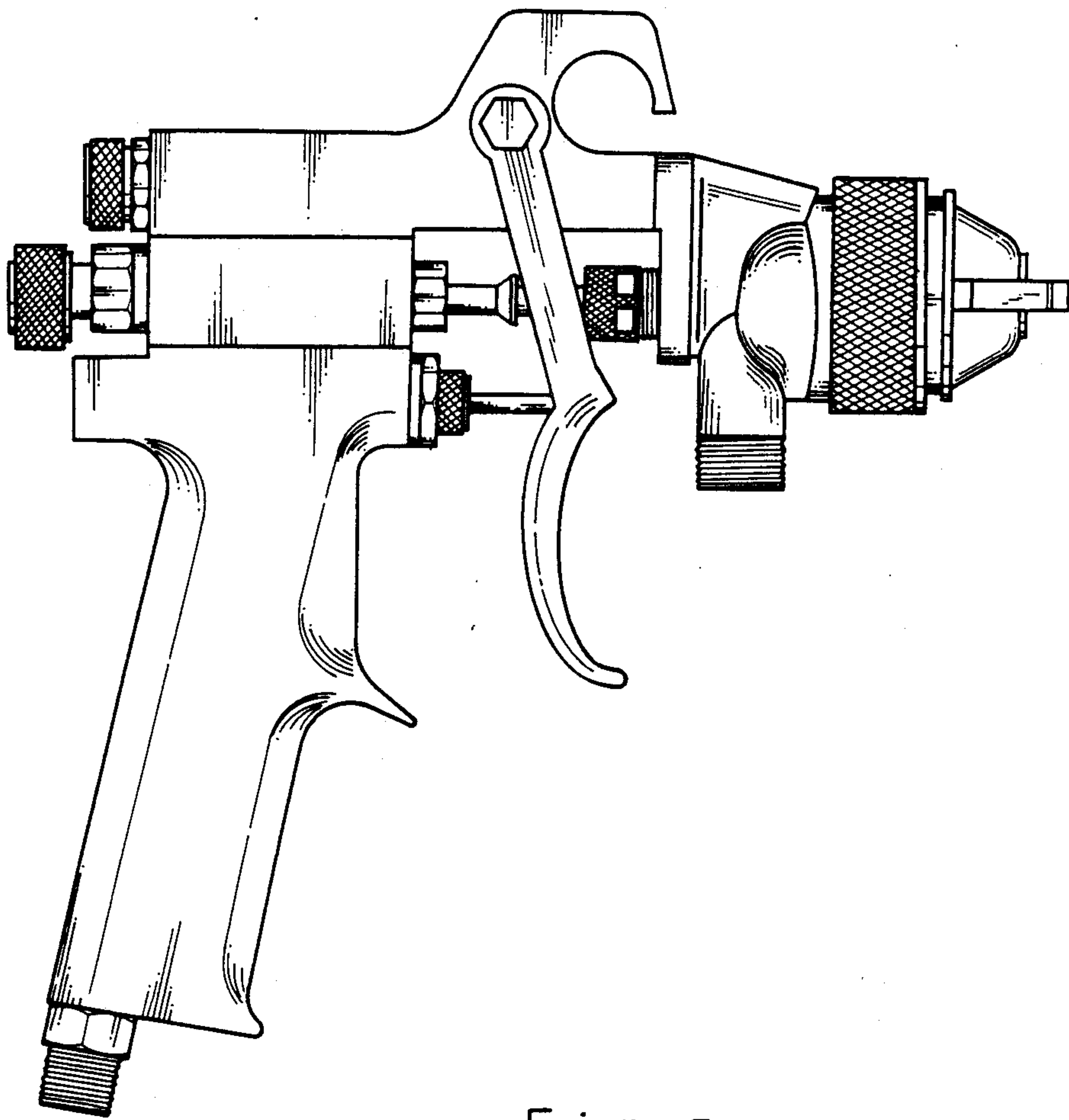


Fig. 5

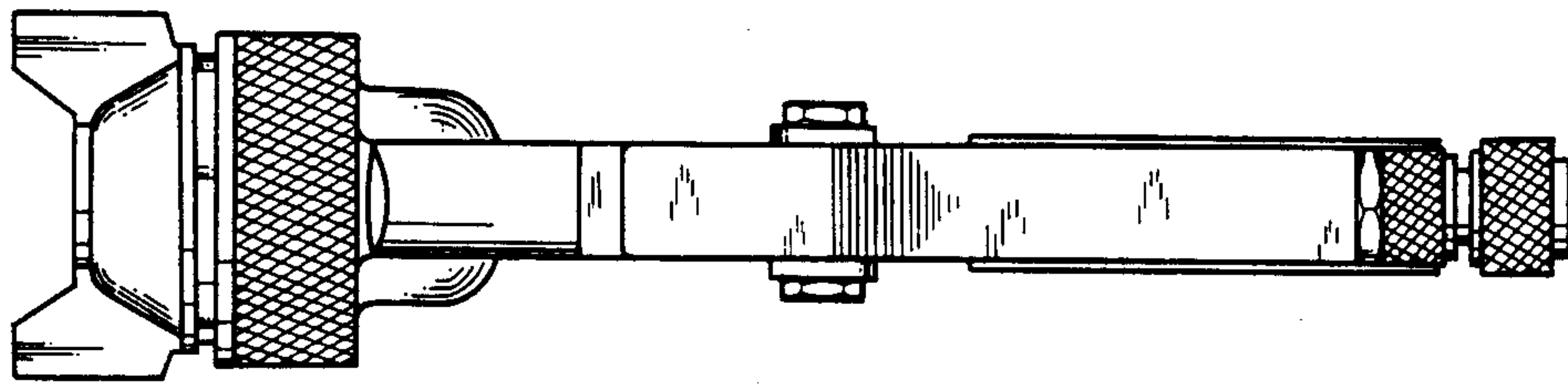


Fig. 6

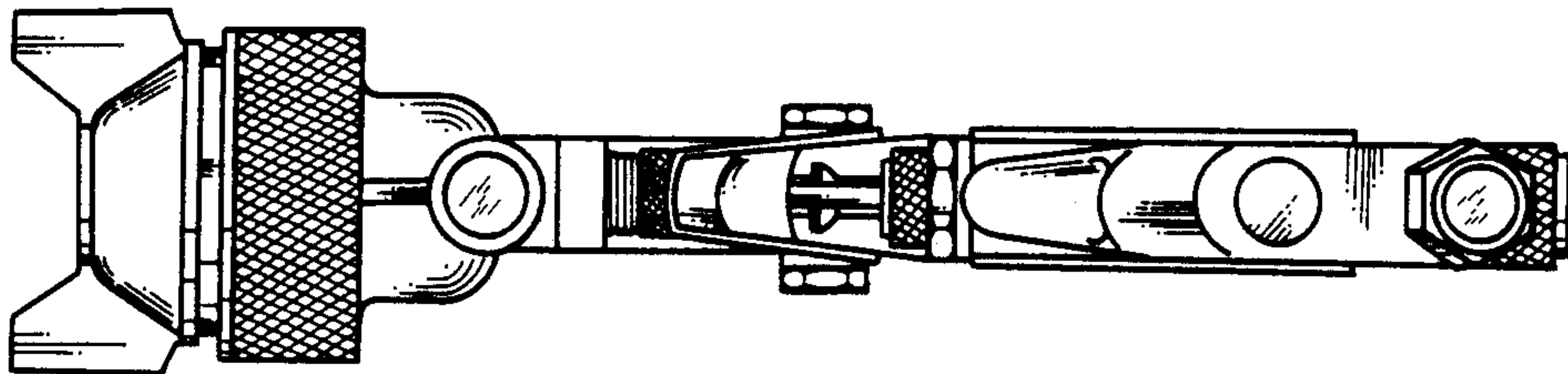


Fig. 7