

[54] **SPRINKLER**

[75] **Inventor: Franco Clivio, Zürich, Switzerland**

[73] **Assignee: Gardena Kress & Kastner GmbH, Fed. Rep. of Germany**

[\*\*] **Term: 14 Years**

[21] **Appl. No.: 142,410**

[22] **Filed: Jan. 11, 1988**

[30] **Foreign Application Priority Data**

Jul. 23, 1987 [DE] Fed. Rep. of Germany ..... 1157(GRAII2751)

[52] **U.S. Cl. .... D23/220**

[58] **Field of Search .... D23/213—221; 239/200—206, 211, 230—233, 273, 275, 276, 505, 518—524, 556—557, 222.11, 222.13, 222.15, 222.17, 222.19, 222.21, 223, 288, 288.3, 288.5, 390—392, 443—444, 456, 468, 558, DIG. 1**

[56] **References Cited**

**U.S. PATENT DOCUMENTS**

D. 197,454 2/1964 Fee et al. .... D23/220  
 D. 208,387 8/1967 Turner et al. .... D23/214  
 D. 296,920 7/1988 Evans ..... D23/220  
 1,235,813 8/1917 Kelso ..... 239/521

**FOREIGN PATENT DOCUMENTS**

0142260 5/1985 European Pat. Off. .

**OTHER PUBLICATIONS**

Rain Bird Gartenberegnung Brochure, Rain Bird Europe s.a.r.l.  
 Simple Guide to Selecting the Right Neta: Click-On Fittings for Your Needs Brochure.  
 Nelson 1988 Lawn and Garden Catalog.  
 Uniflex '87 Catalog.  
 Marina Garden Line Catalog.  
 Gilmour 1985 Lawn & Garden Catalog.  
 Sherman Lawn Watering, Industrial & Plumbing Products 1983 Catalog.  
 Hoze Lock-Asl Garden Products Catalog.  
 Claber, Gardenlife Catalog.  
 Ipierre Sirotex Garden Catalog.  
 Melnor Time-A-Matic Programmierbare: Automatische Gartenregner.

*Primary Examiner*—Susan J. Lucas  
*Assistant Examiner*—M. H. Tung  
*Attorney, Agent, or Firm*—Eckert Seamans Cherin & Mellott

[57] **CLAIM**

The ornamental design for a sprinkler, as shown and described.

**DESCRIPTION**

FIG. 1 is a top perspective view of a sprinkler showing my new design;  
 FIG. 2 is a side elevational view thereof;  
 FIG. 3 is the opposite side elevational view thereof;  
 FIG. 4 is a top plan view thereof;  
 FIG. 5 is a front elevational view thereof;  
 FIG. 6 is a rear elevational view thereof;  
 FIG. 7 is a bottom plan view thereof.

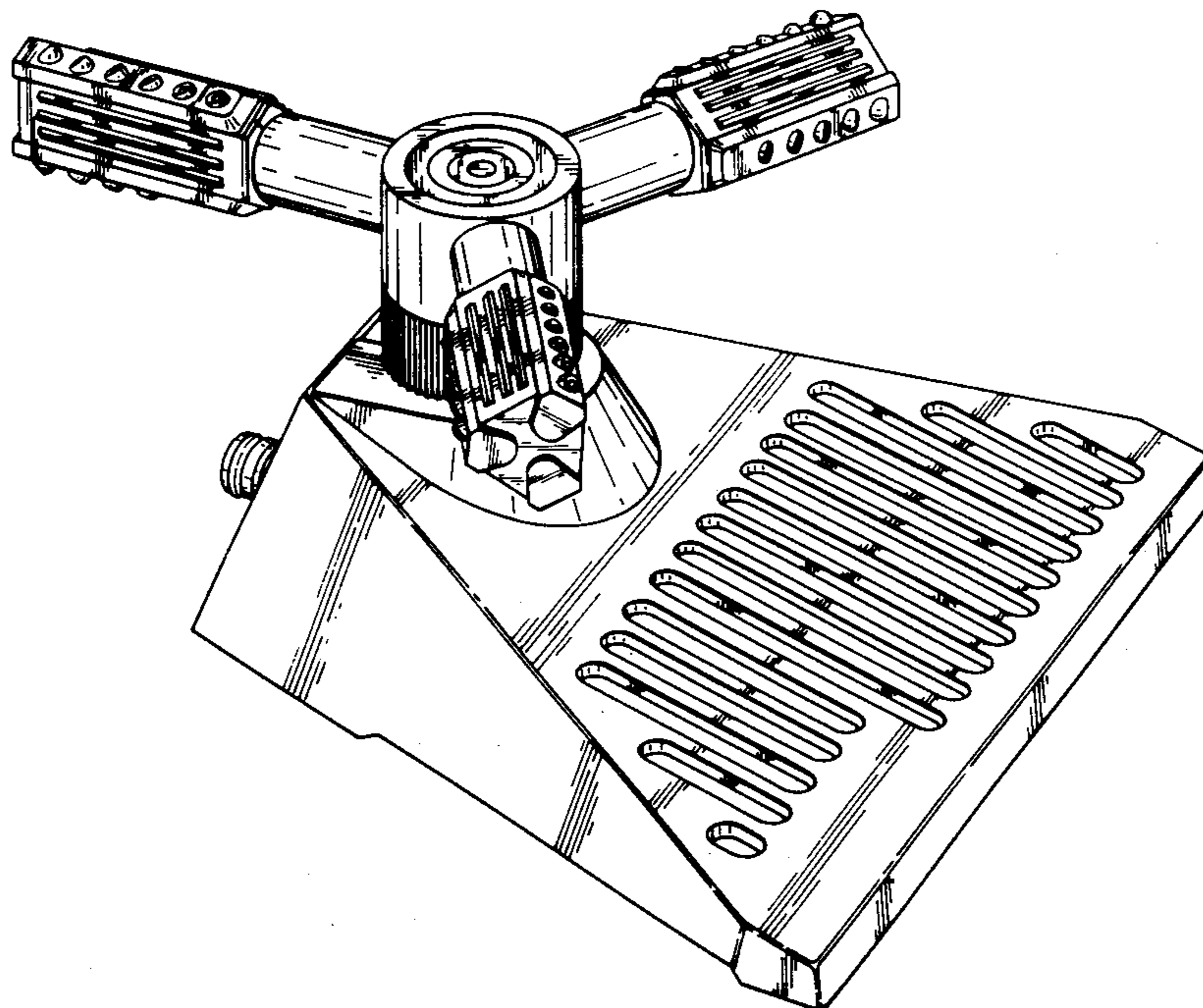


FIG. 1

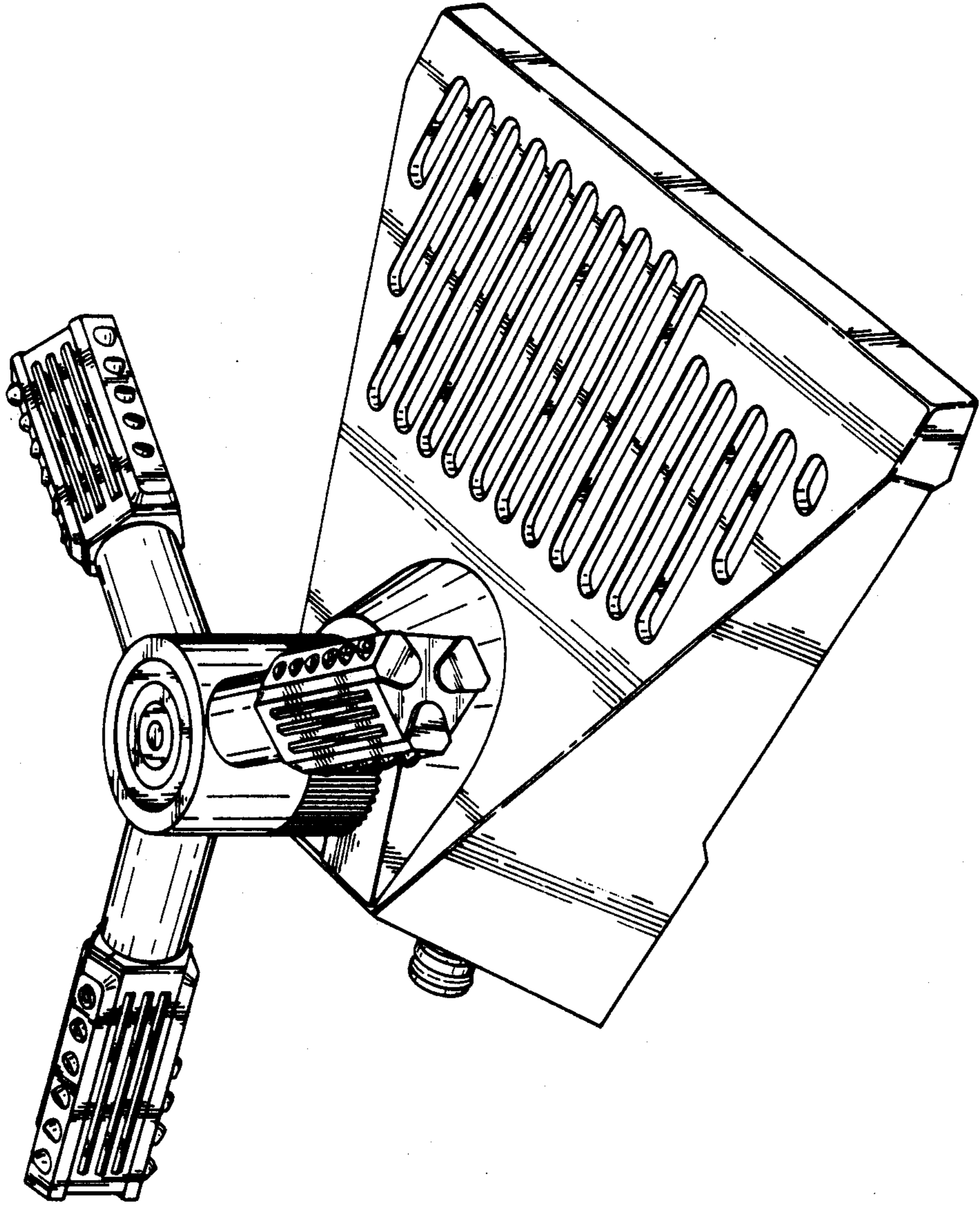


FIG. 2

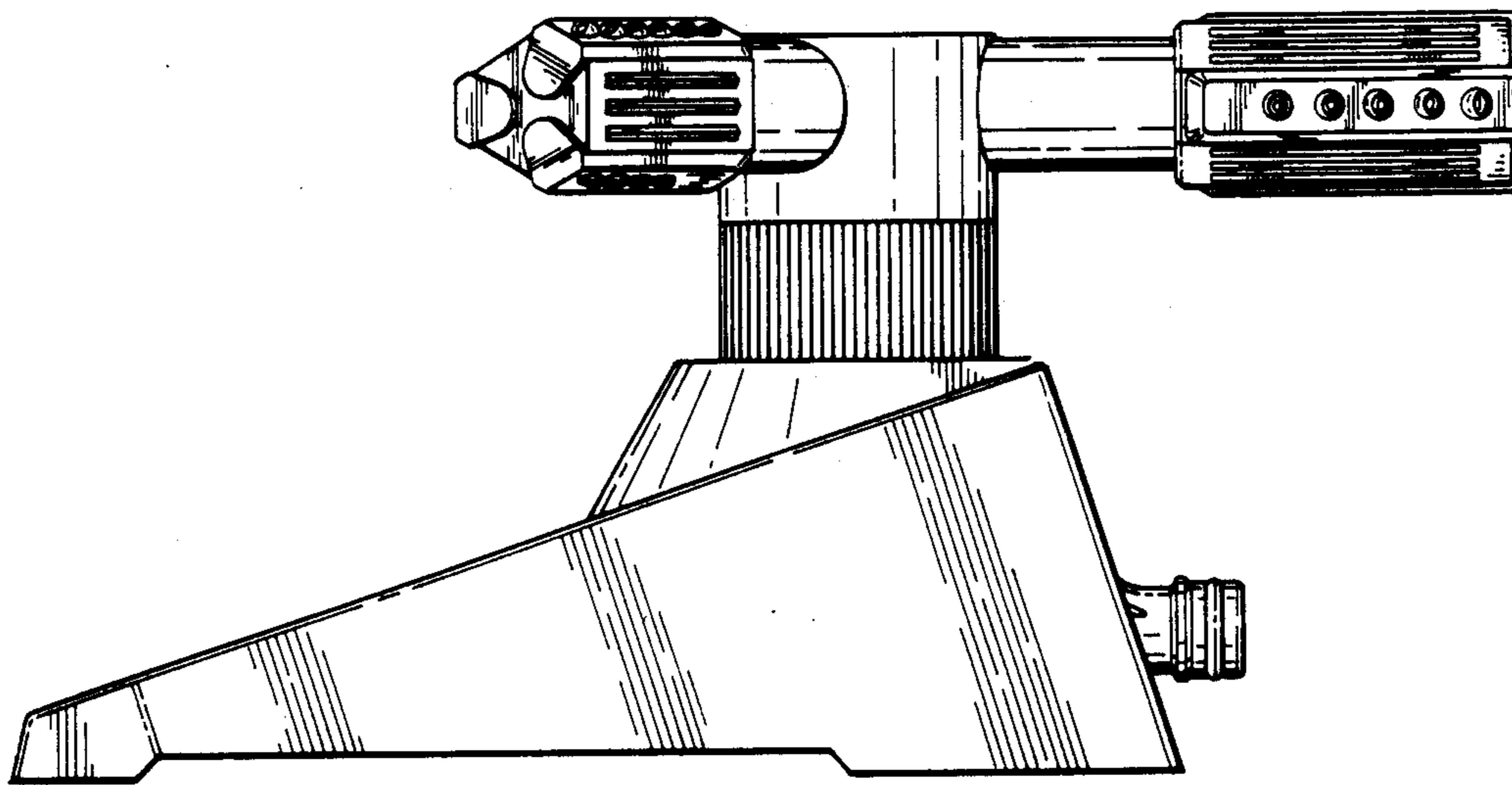


FIG. 3

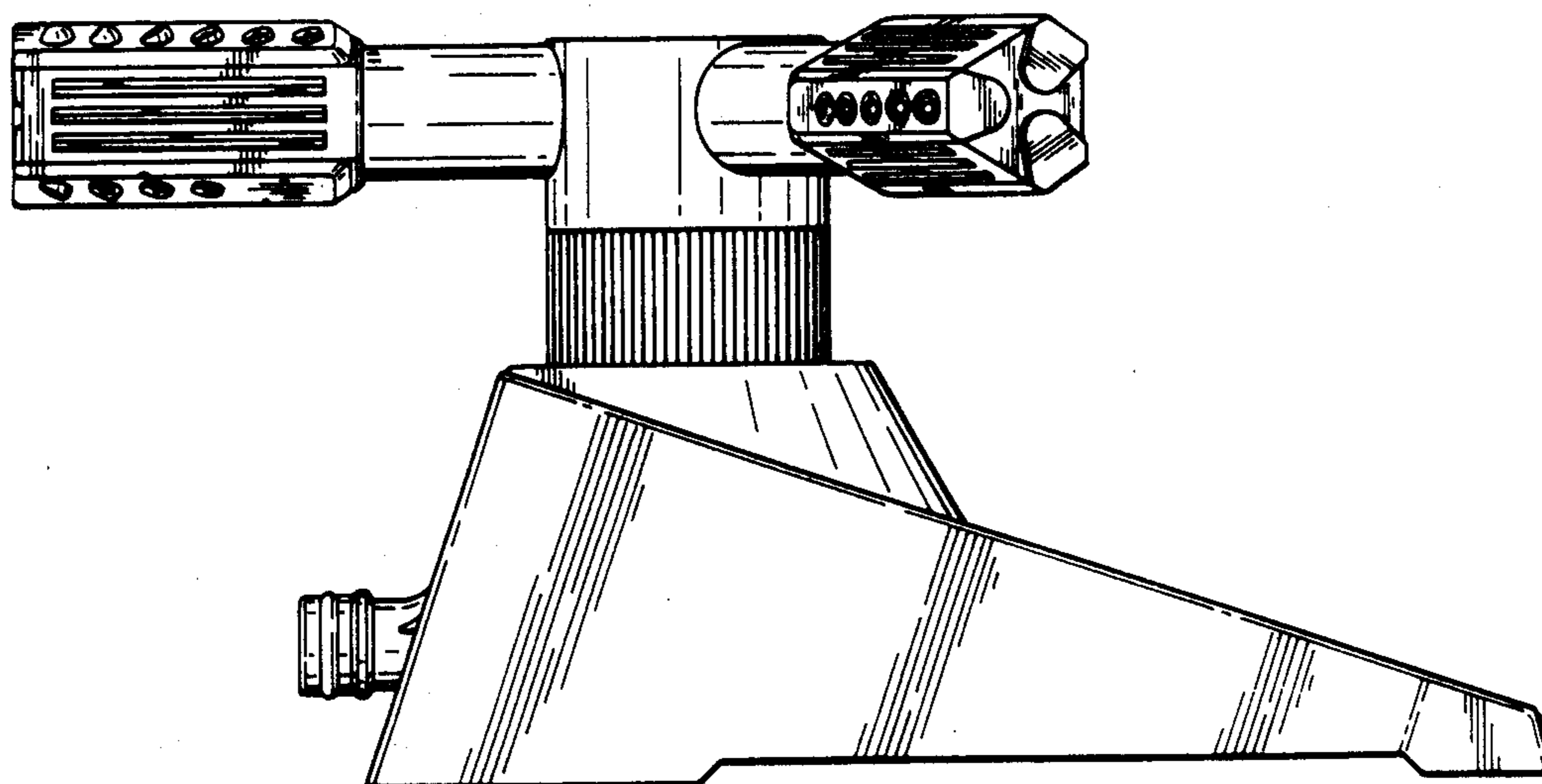


FIG. 4

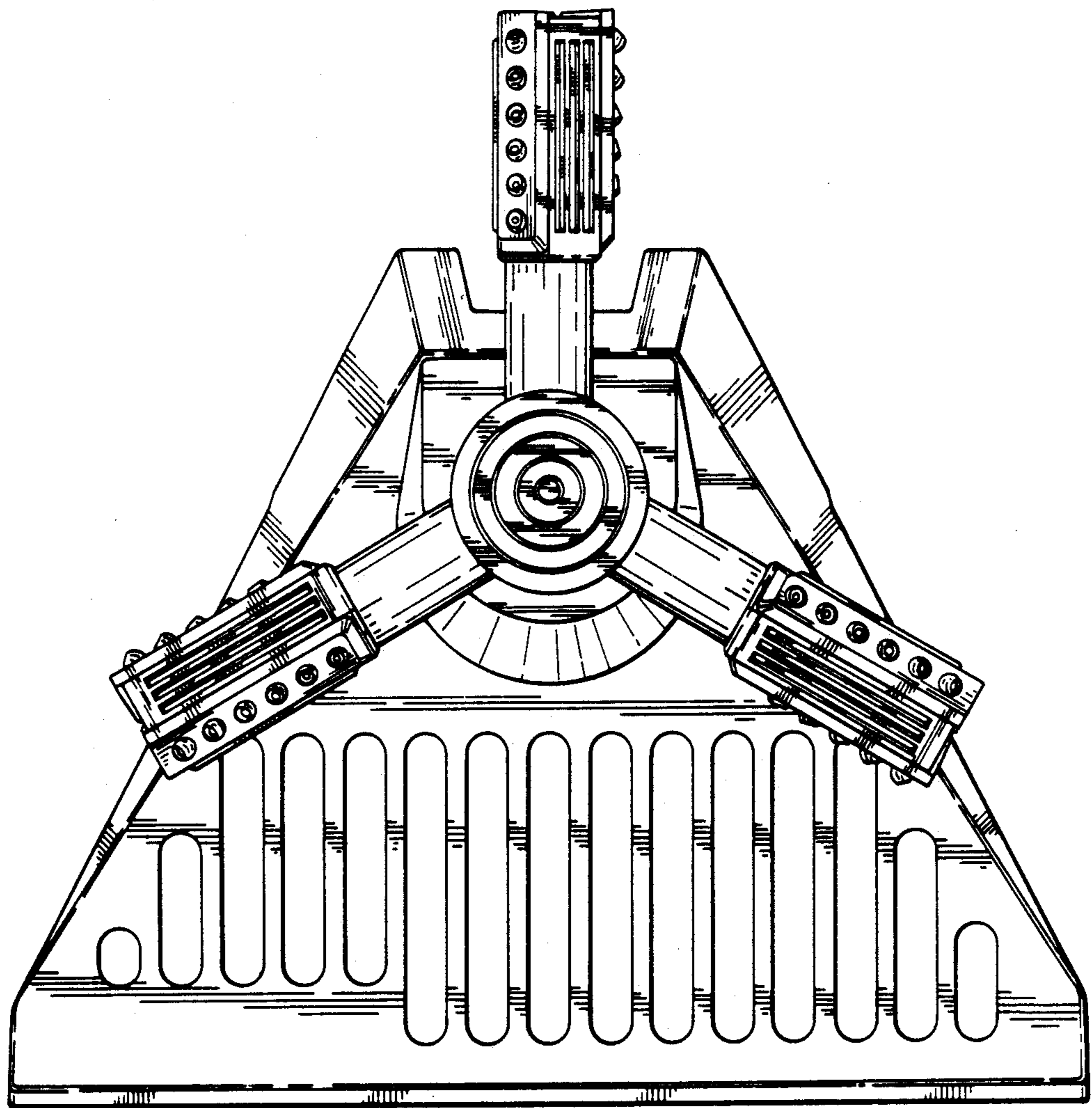


FIG. 5

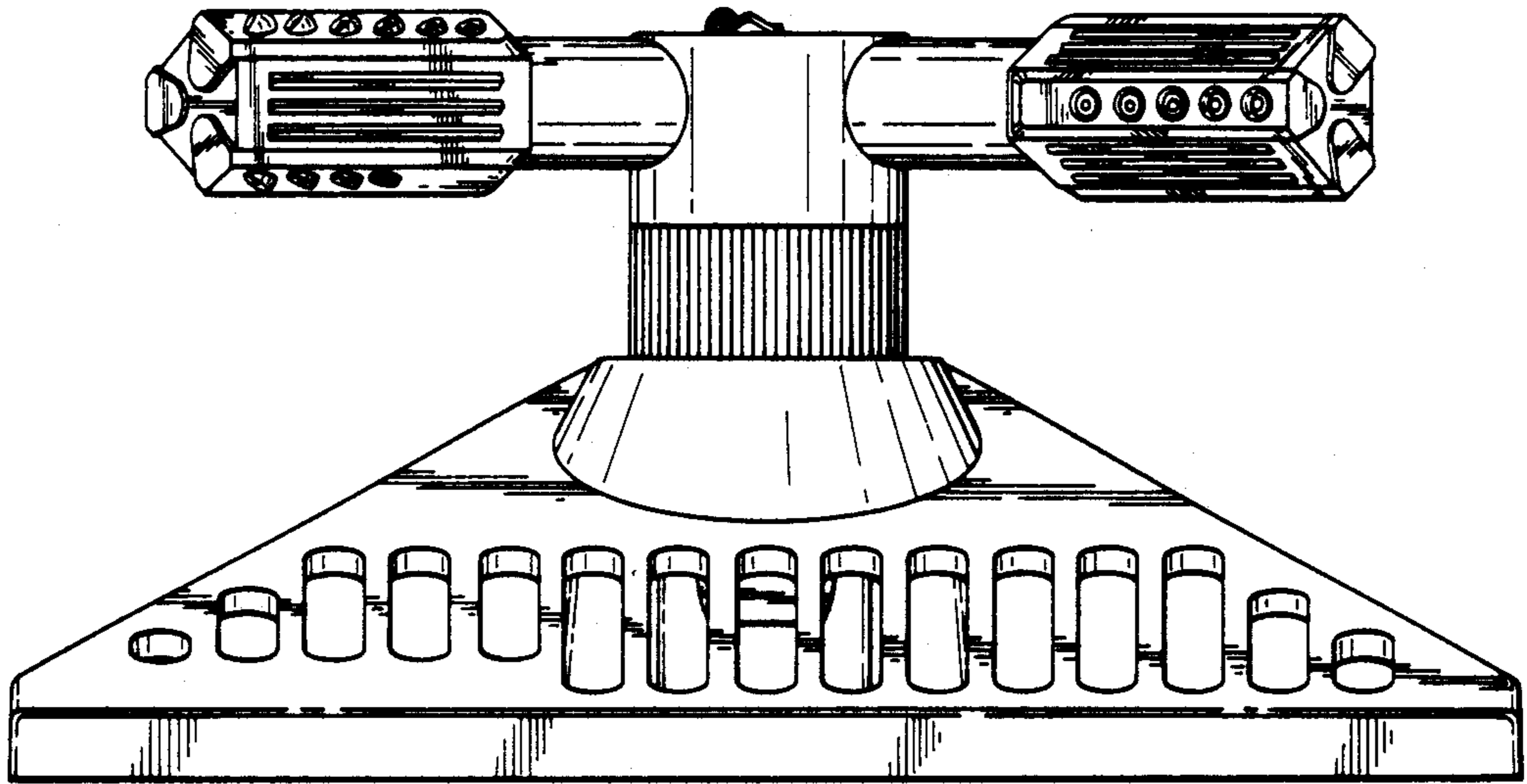


FIG. 6

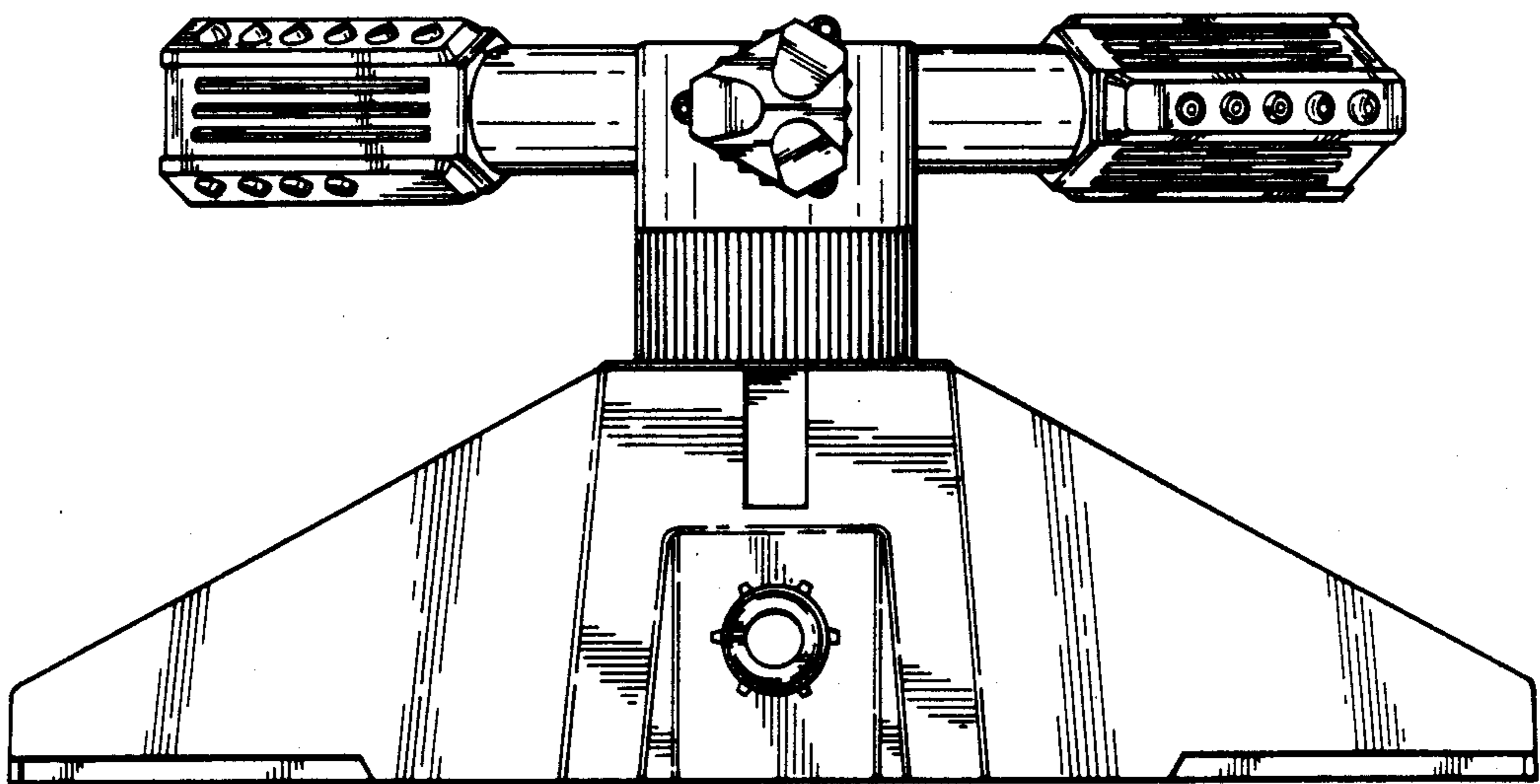


FIG. 7

