

# United States Patent [19]

Geneve et al.

[11] Patent Number: **Des. 313,266**

[45] Date of Patent: **\*\* Dec. 25, 1990**

[54] **SHOWER FILTER**

[75] Inventors: **Francois Genève; Luc Heiligenstein; Stephen Melamed**, all of Chicago, Ill.

[73] Assignee: **Associated Mills Inc.**, Chicago, Ill.

[\*\*] Term: **14 Years**

[21] Appl. No.: **345,537**

[22] Filed: **May 1, 1989**

[52] U.S. Cl. .... **D23/209**

[58] Field of Search ..... **D23/207, 208, 209, 210; 210/435, 440, 441, 442, 443, 444, 446, 447, 448, 449, 455, 418, 419**

[56] **References Cited**

**U.S. PATENT DOCUMENTS**

D. 128,316 7/1941 Robby ..... D23/209  
221,446 11/1879 Cook ..... 210/449

D. 224,105 7/1972 Turturro ..... D23/209  
559,590 5/1896 Miles ..... 210/448  
4,686,037 8/1987 Lang ..... 210/449 X

*Primary Examiner*—Susan J. Lucas

*Assistant Examiner*—M. H. Tung

*Attorney, Agent, or Firm*—Laff, Whitesel, Conte & Saret

[57] **CLAIM**

The ornamental design for a shower filter, as shown.

**DESCRIPTION**

FIG. 1 is a front elevational view of a shower filter showing our new design;

FIG. 2 is a left side elevational view thereof;

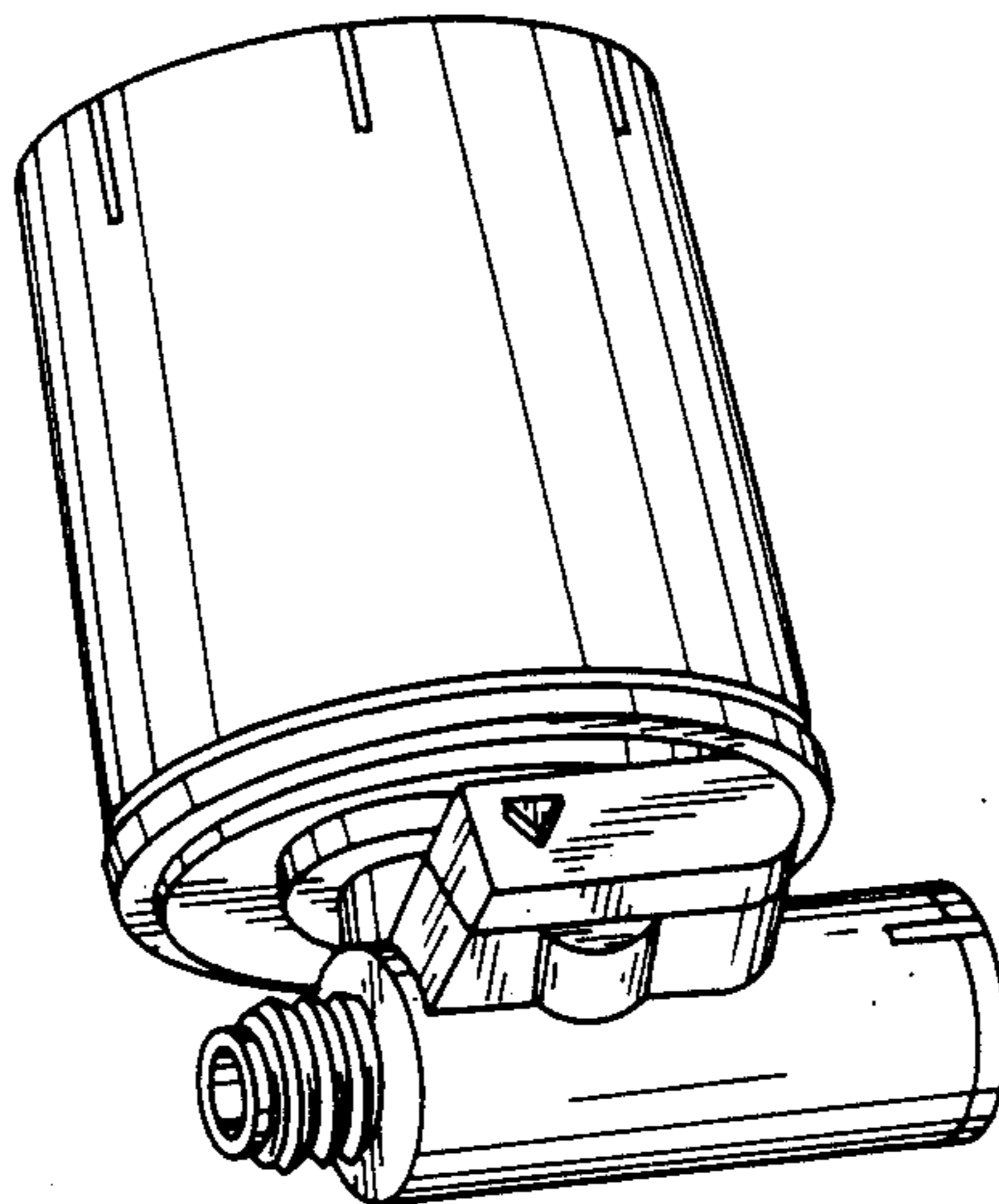
FIG. 3 is a right side elevational view thereof;

FIG. 4 is a top plan view thereof;

FIG. 5 is a bottom plan view thereof;

FIG. 6 is a rear elevational view thereof;

FIG. 7 is a bottom perspective view thereof.



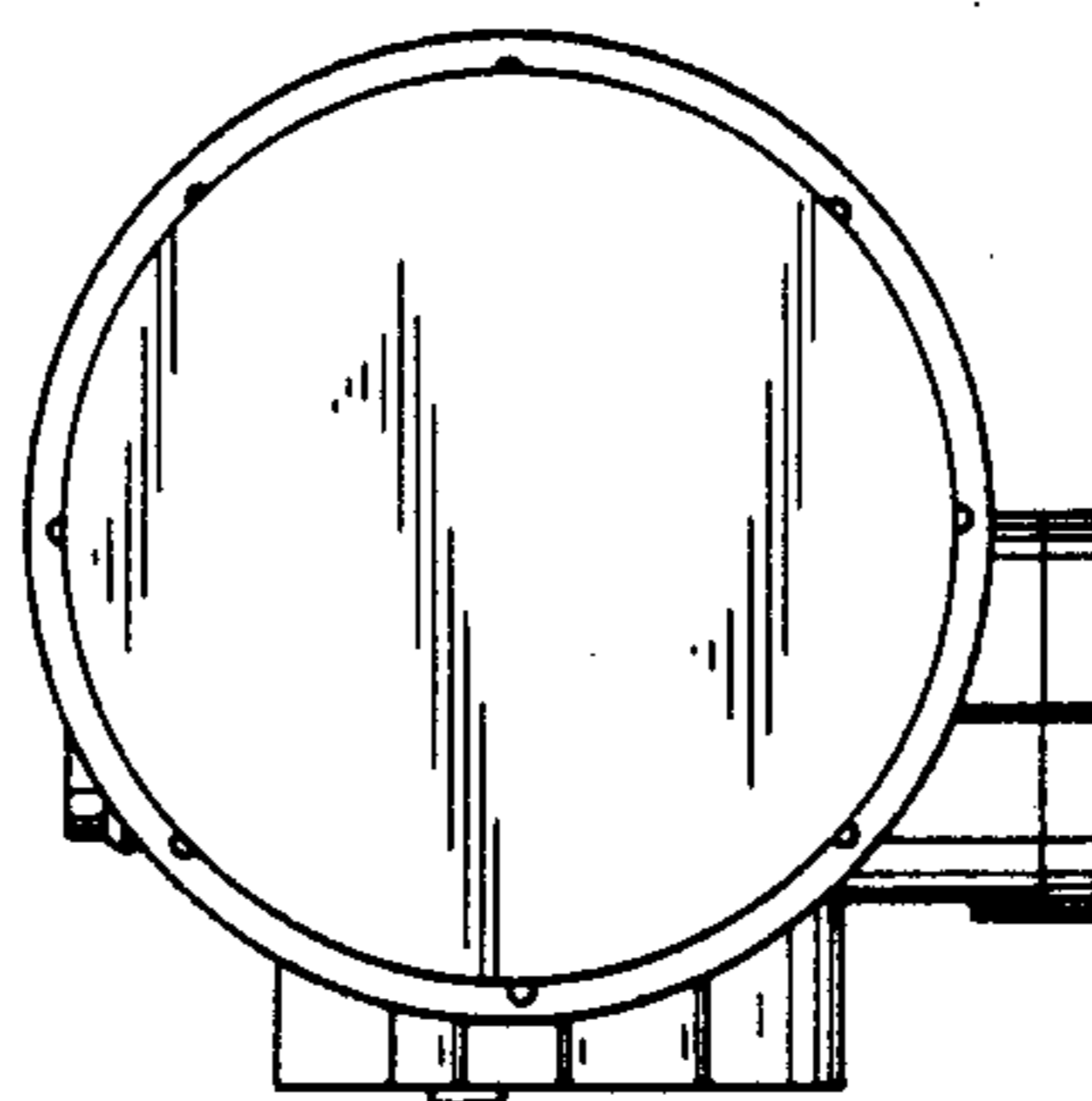


FIG. 4

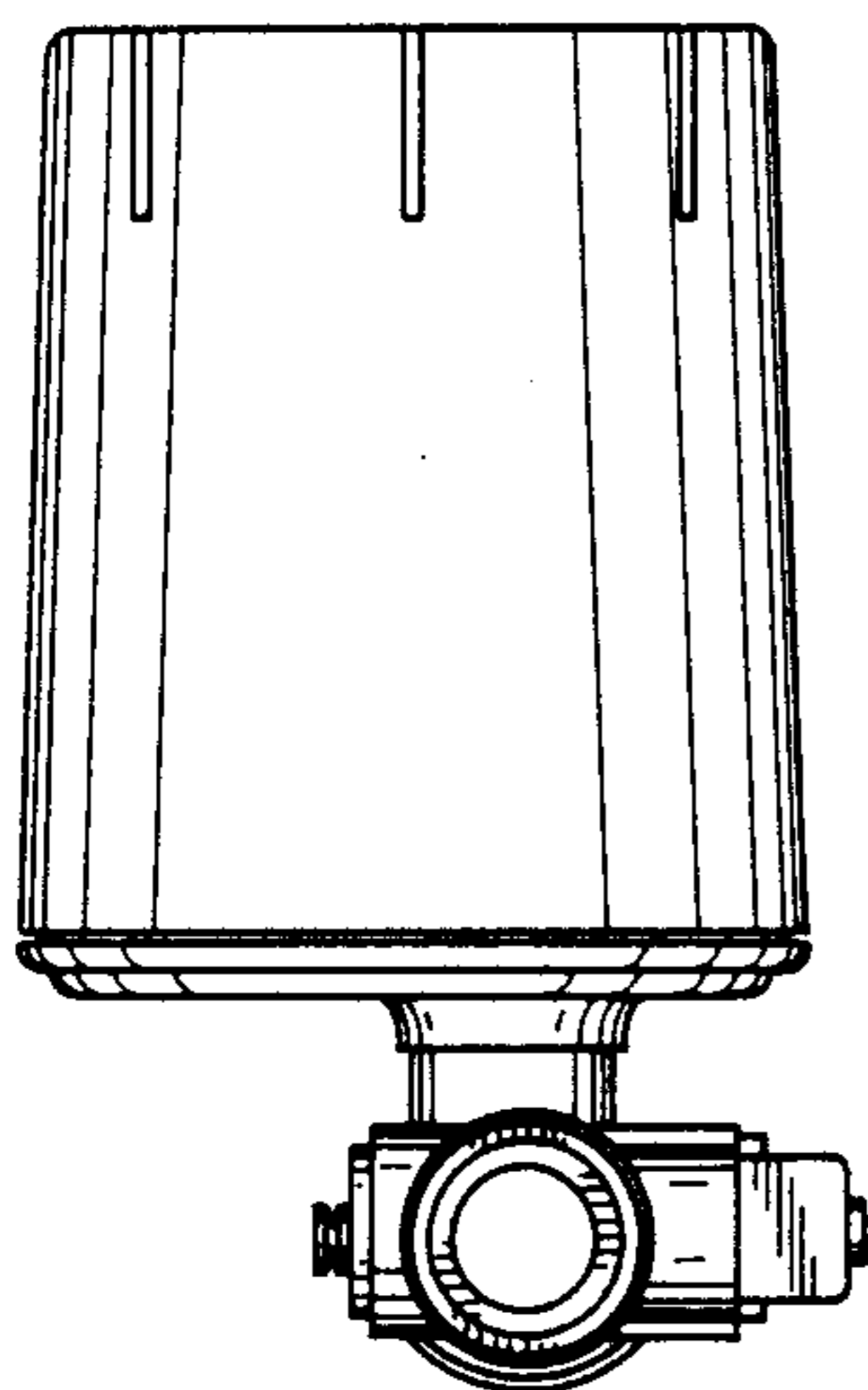


FIG. 2

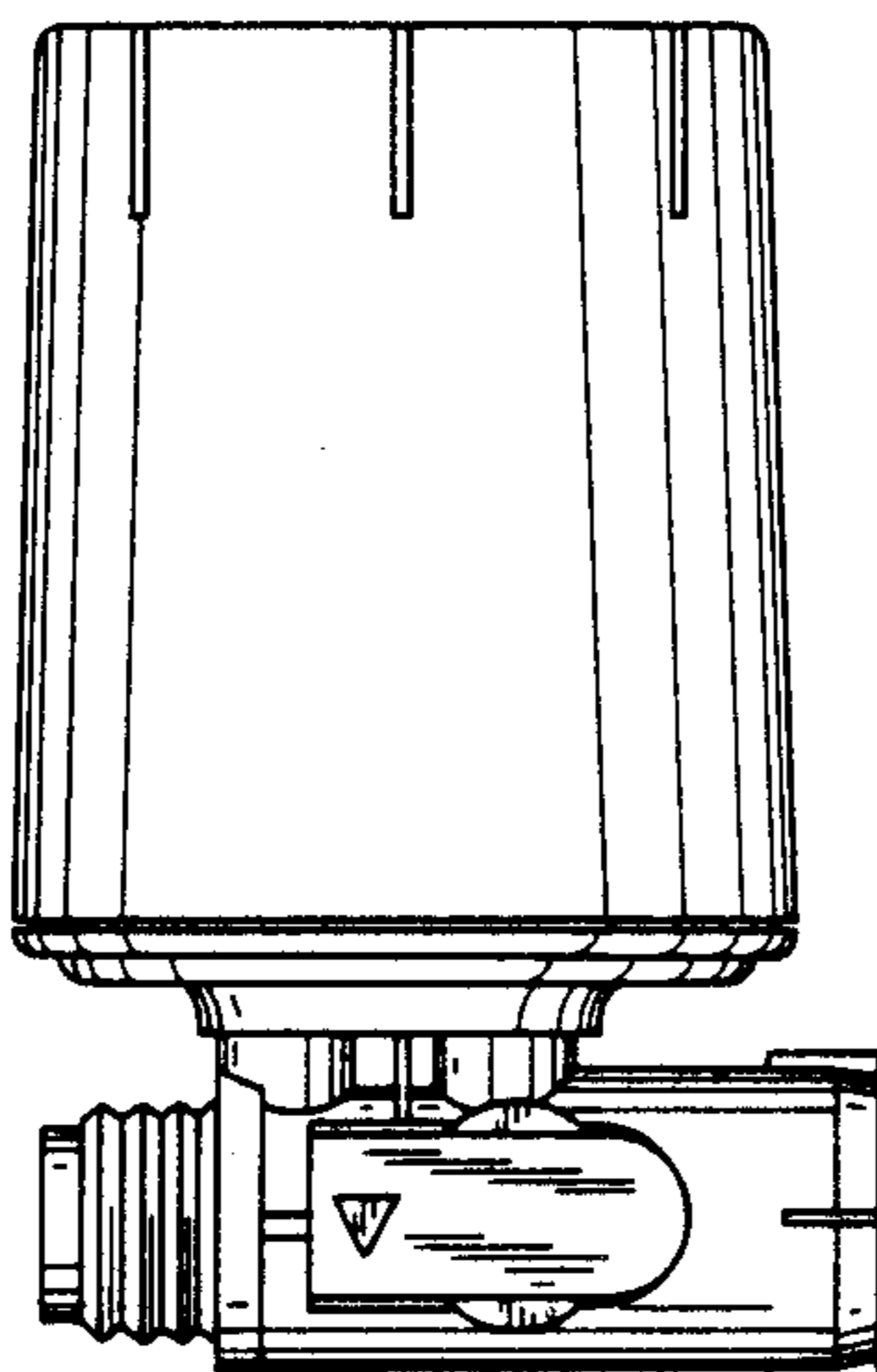


FIG. 1

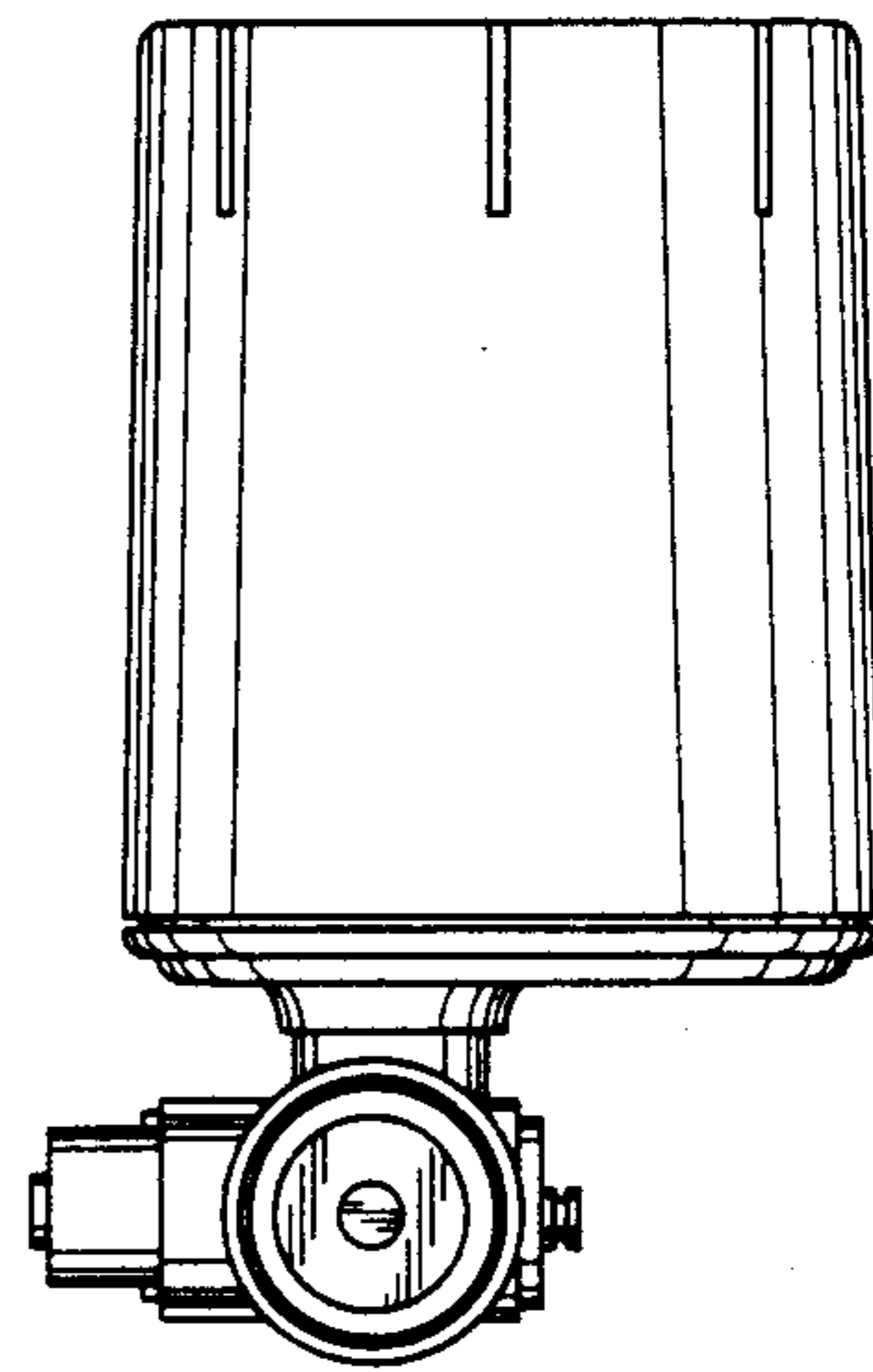


FIG. 3

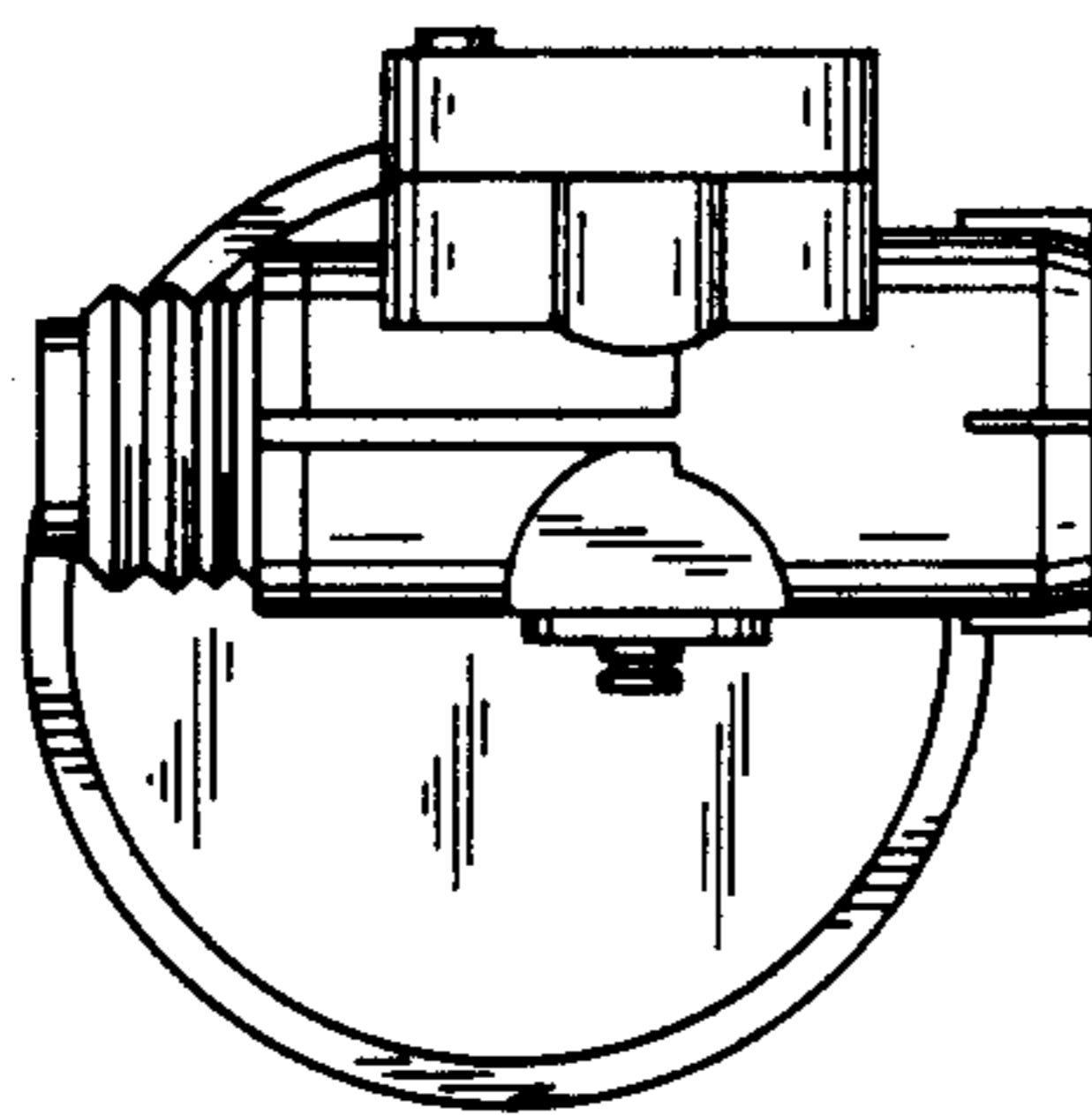


FIG. 5

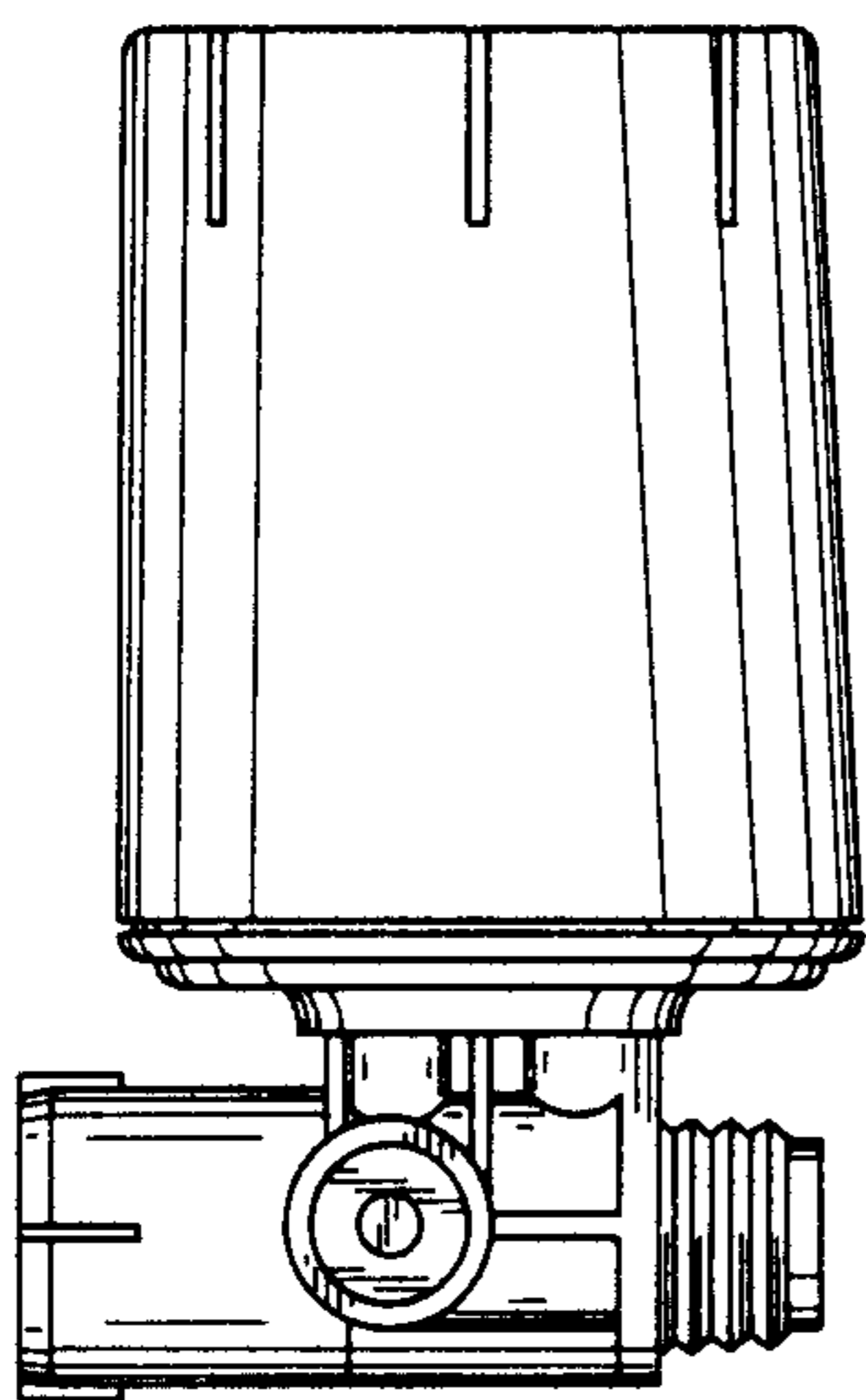


FIG. 6

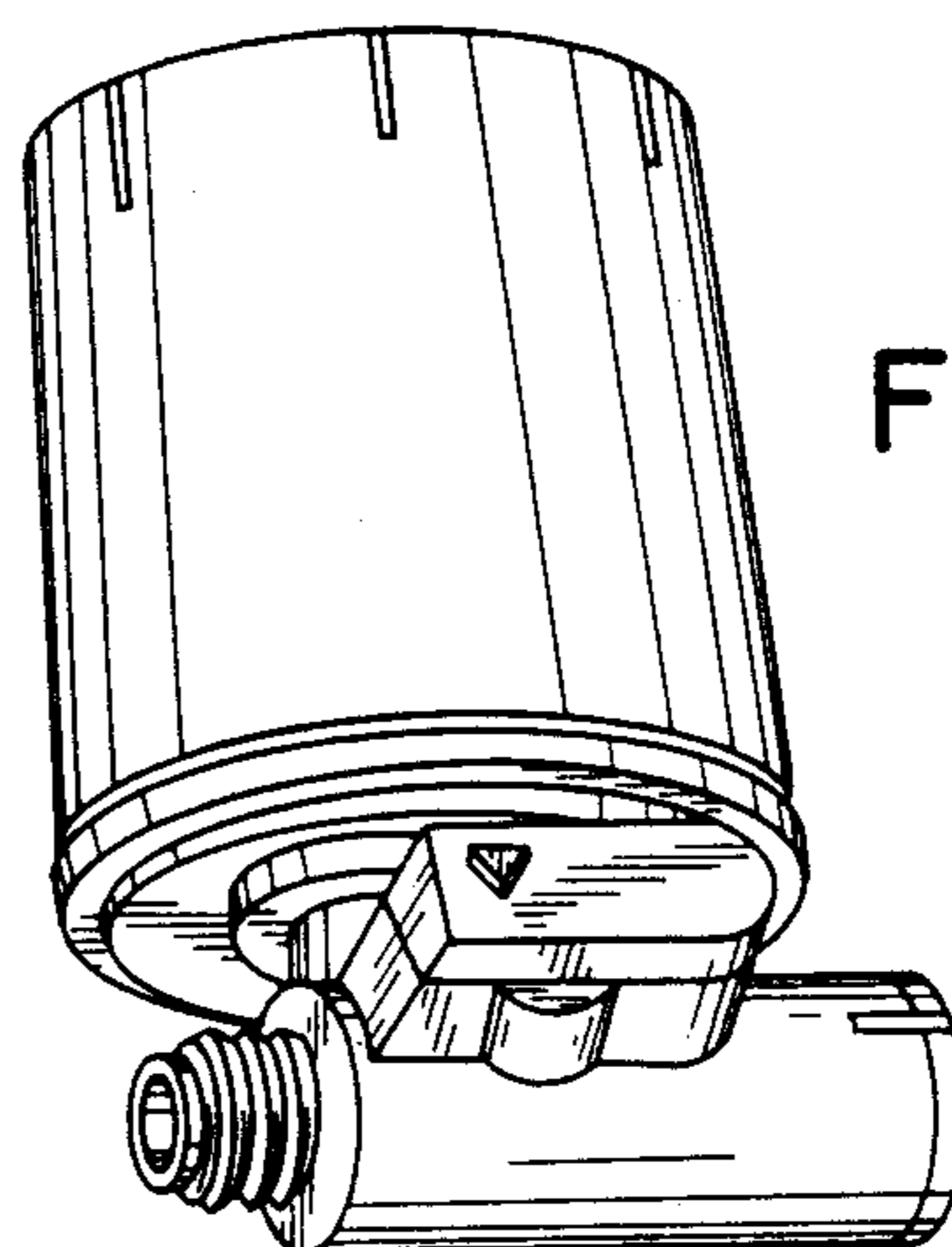


FIG. 7