

[54] **FISHING REEL**

[75] **Inventors: Frank E. Epperson, Aurora, Colo.; Craig W. Smith, Oak View; Randall E. Ohnemus, Ventura, both of Calif.**

[73] **Assignee: FM&G, Inc., Aurora, Colo.**

[*] **Notice: The portion of the term of this patent subsequent to Mar. 28, 2003 has been disclaimed.**

[**] **Term: 14 Years**

[21] **Appl. No.: 75,862**

[22] **Filed: Jul. 20, 1987**

[52] **U.S. Cl. D22/141**

[58] **Field of Search D22/141, 140; 43/22, 43/23**

[56] **References Cited**

U.S. PATENT DOCUMENTS

D. 300,452 3/1989 Epperson et al. D22/141

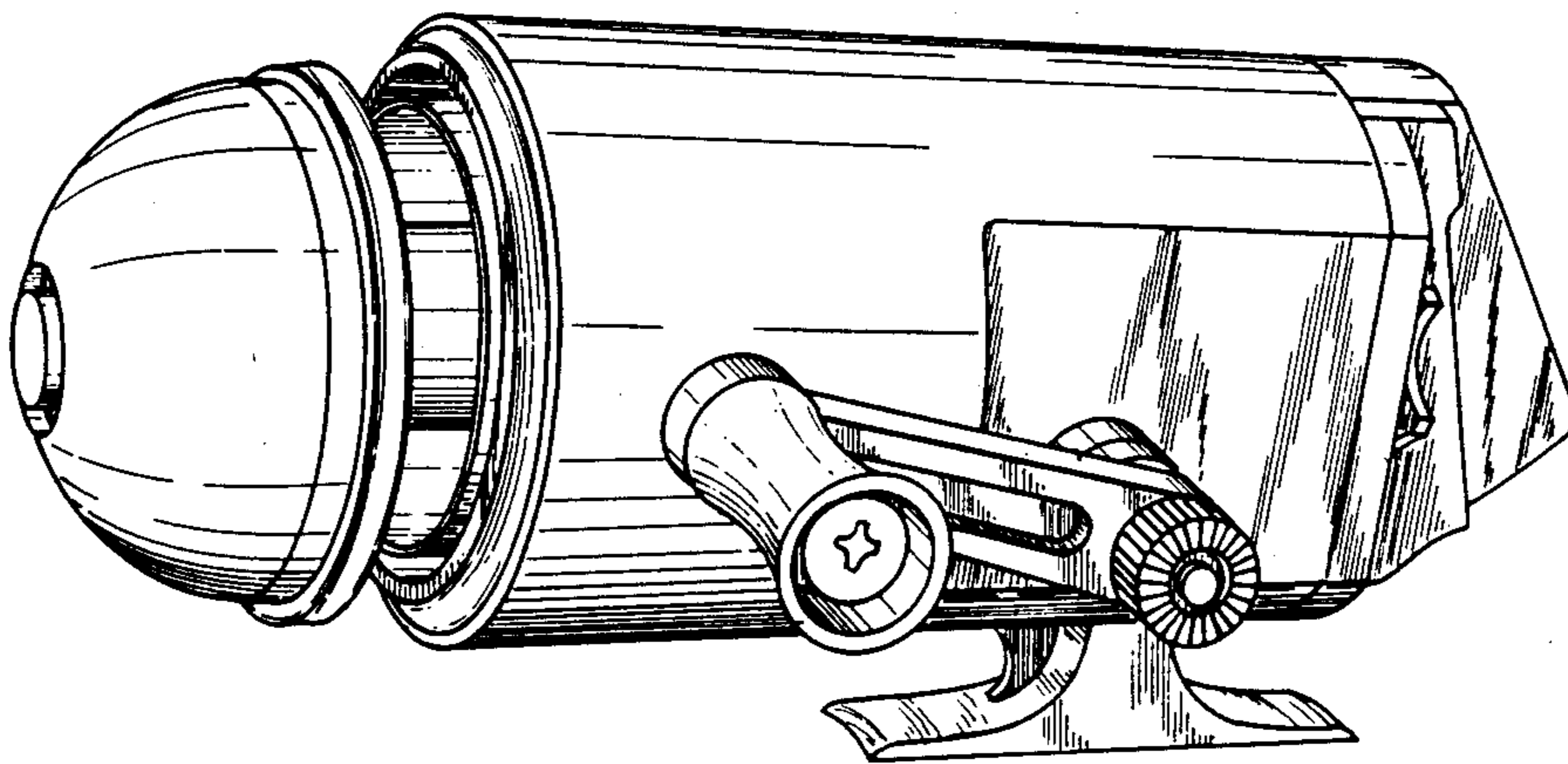
*Primary Examiner—A. Hugo Word
Assistant Examiner—Doris V. Coles
Attorney, Agent, or Firm—John E. Reilley*

[57] **CLAIM**

The ornamental design for a fishing reel, as shown and described.

DESCRIPTION

FIG. 1 is a perspective view of a fishing reel showing our new design;
FIG. 2 is a front elevational view thereof;
FIG. 3 is a left side elevational view thereof;
FIG. 4 is a rear elevational view thereof; and
FIG. 5 is a right side elevational view thereof;
FIG. 6 is a top plan view thereof; and
FIG. 7 is a bottom plan view thereof.



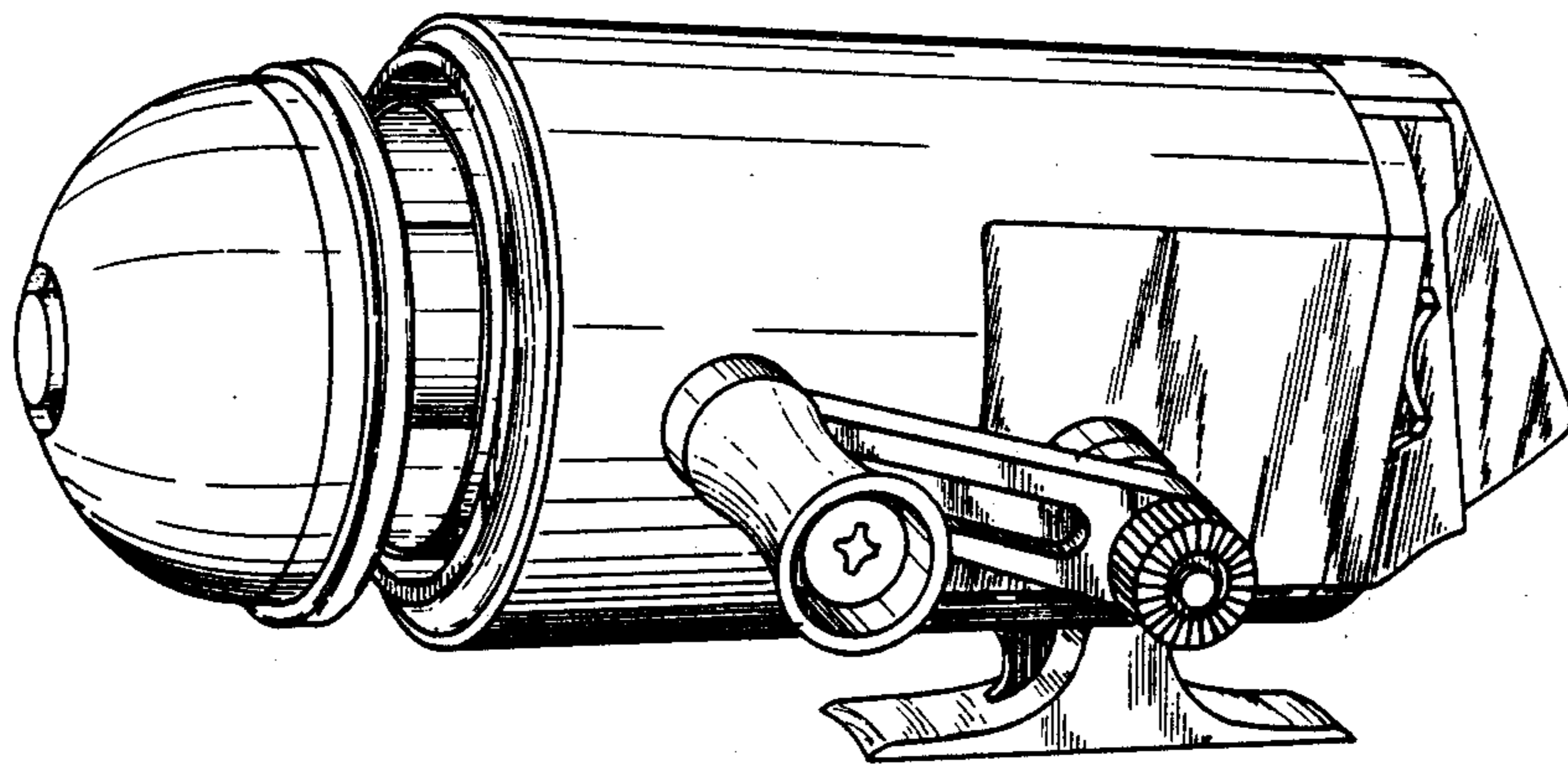


FIG 1

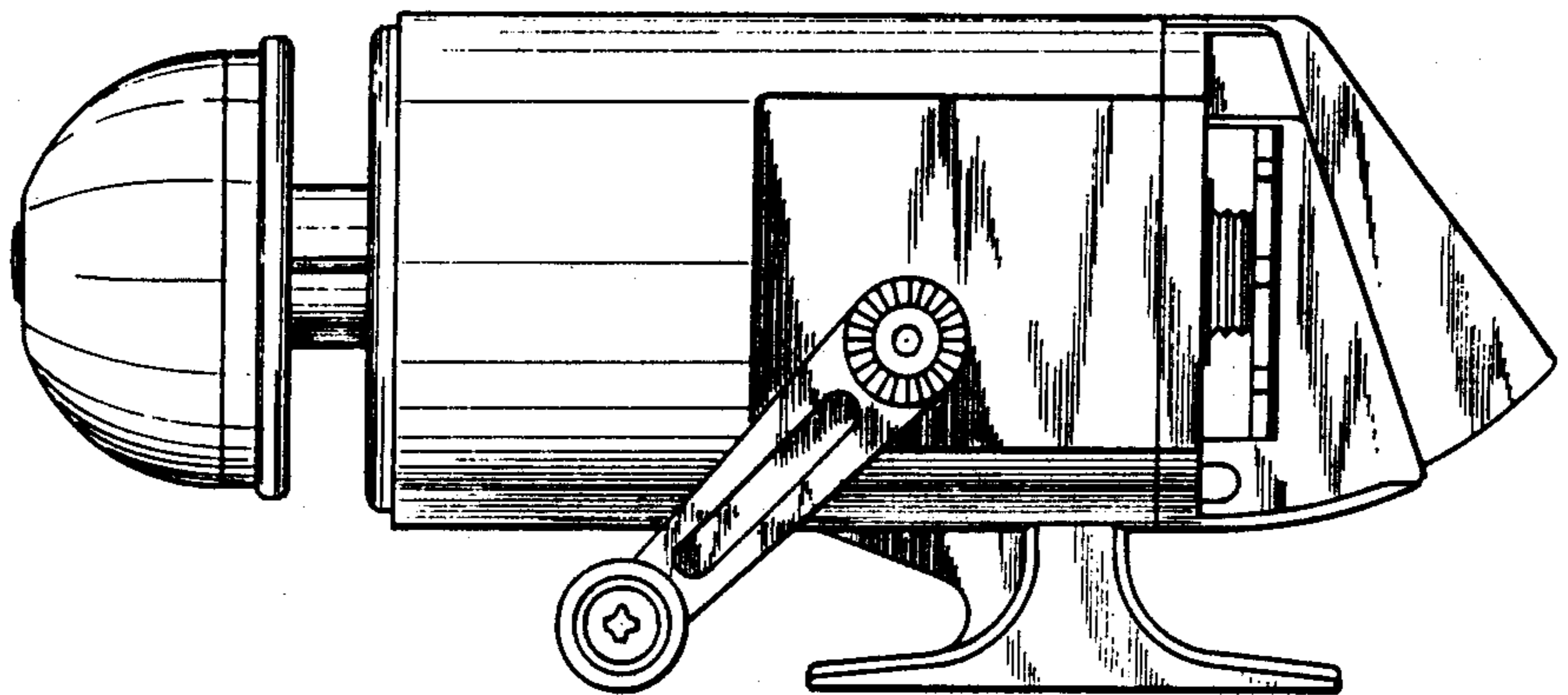


FIG 2

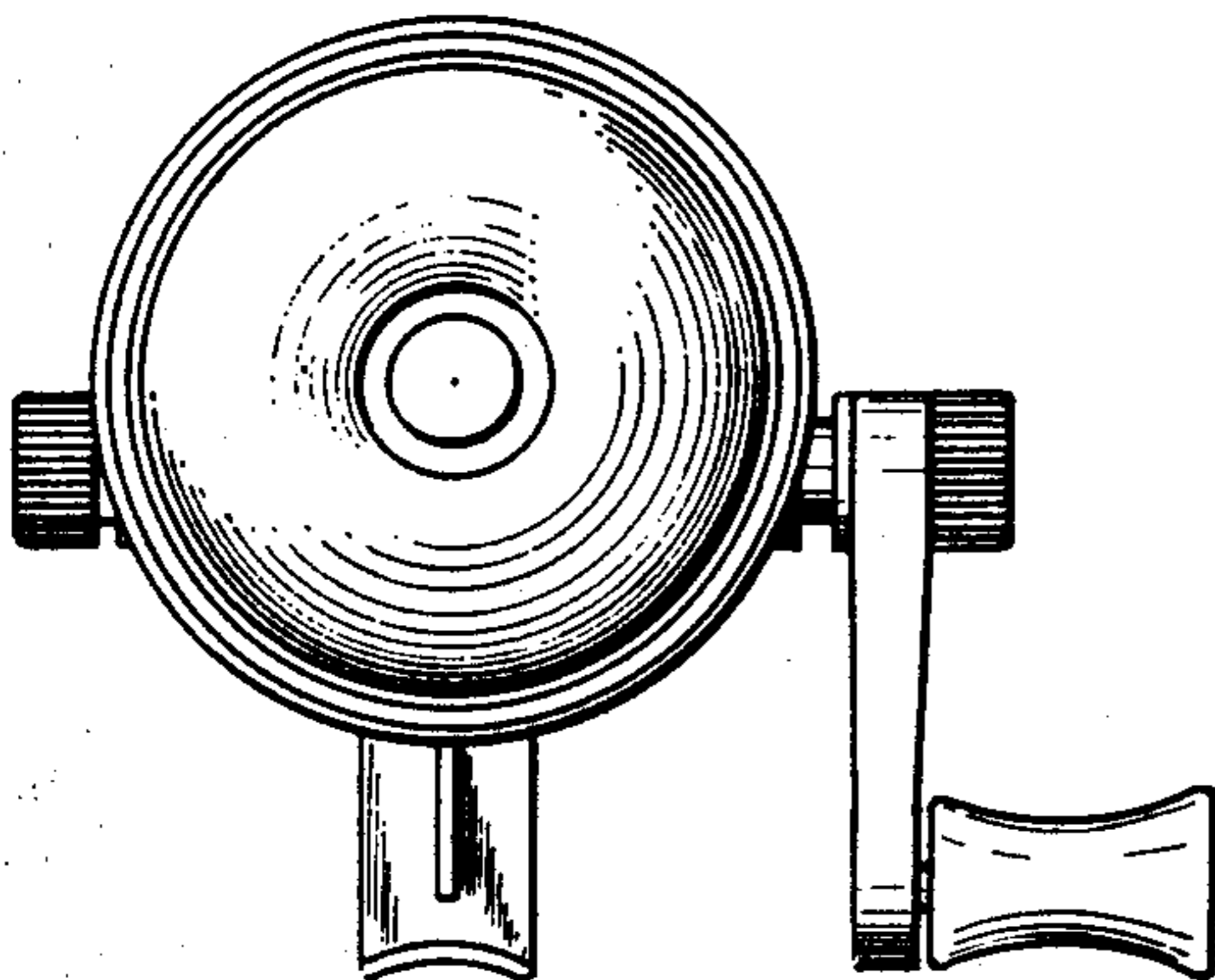


FIG 3

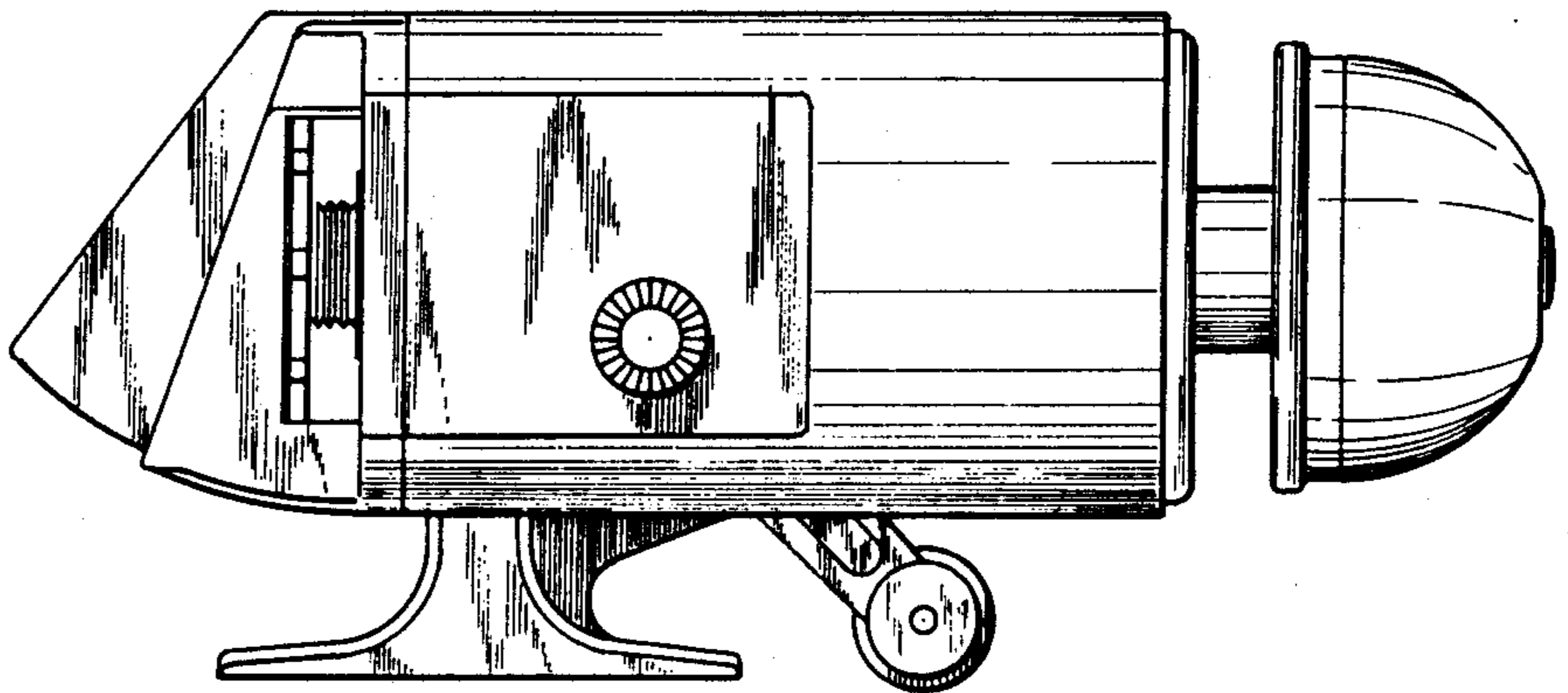


FIG 4

