

[54] **MOTH ELIMINATOR OR THE LIKE**

[76] Inventor: **Elbert D. Lauchland**, 815 Brandywine Dr., Lodi, Calif. 95240

[**] Term: **14 Years**

[21] Appl. No.: **184,170**

[22] Filed: **Apr. 21, 1988**

[52] U.S. Cl. **D22/122**

[58] Field of Search **D22/119-124; D9/425; D7/37, 76; D34/40, 43, 44; D11/143, 144, 155, 156; D26/107, 51; D6/403-405; 43/113-117, 121-122, 131, 134; 206/510, 505; 47/40; D23/366; 248/121**

[56] **References Cited**

U.S. PATENT DOCUMENTS

D. 259,867	7/1981	Kenyon et al.	D11/155
670,996	4/1901	Morgan	43/113
1,484,703	2/1924	Eshman et al.	43/113
1,655,540	1/1928	Friedel	D23/366 X
1,770,626	7/1930	Richards	43/113
1,809,216	6/1931	Quandt	47/40 X
2,090,792	8/1937	Green	43/113
4,157,629	6/1979	Parks	43/113
4,366,643	1/1983	Boaz	43/113

FOREIGN PATENT DOCUMENTS

441037	7/1912	France	43/113
674883	11/1964	Italy	206/510

OTHER PUBLICATIONS

The Country Gourmet, ©1974, p. 36, Double Hanging Bracket.

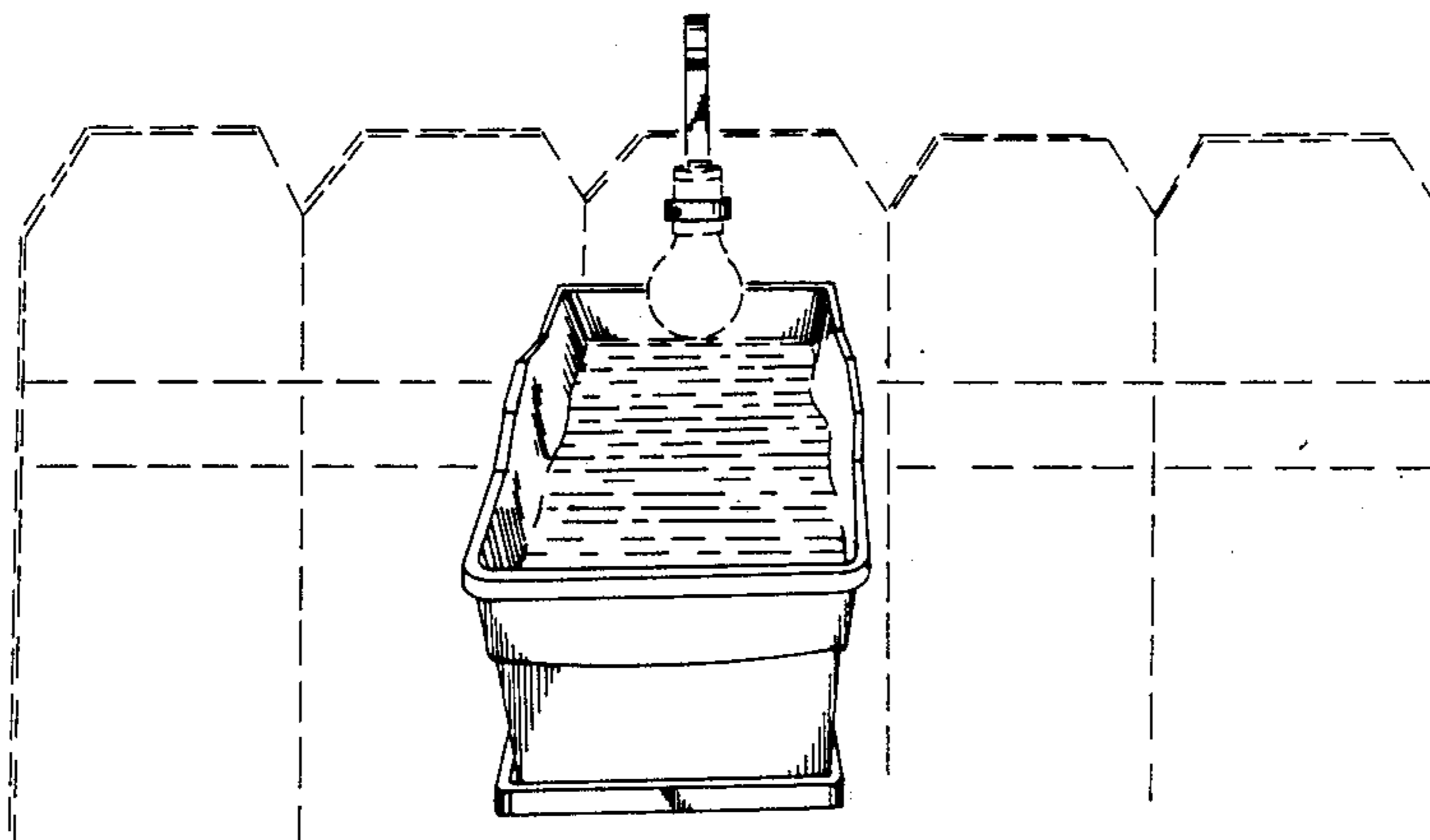
Primary Examiner—A. Hugo Word
Assistant Examiner—Doris V. Coles
Attorney, Agent, or Firm—Basil B. Travis

[57] **CLAIM**

The ornamental design for a moth eliminator or the like, as shown and described.

DESCRIPTION

FIG. 1 is a top, front perspective view of a moth eliminator or the like, showing my new design; FIG. 2 is a rear elevational view thereof; FIG. 3 is a bottom plan view thereof; and FIG. 4 is a side elevational view, the opposite side being a mirror image thereof. The broken line showings of a fence, light bulb, and light bulb socket are for illustrative purposes only and form no part of claimed design.



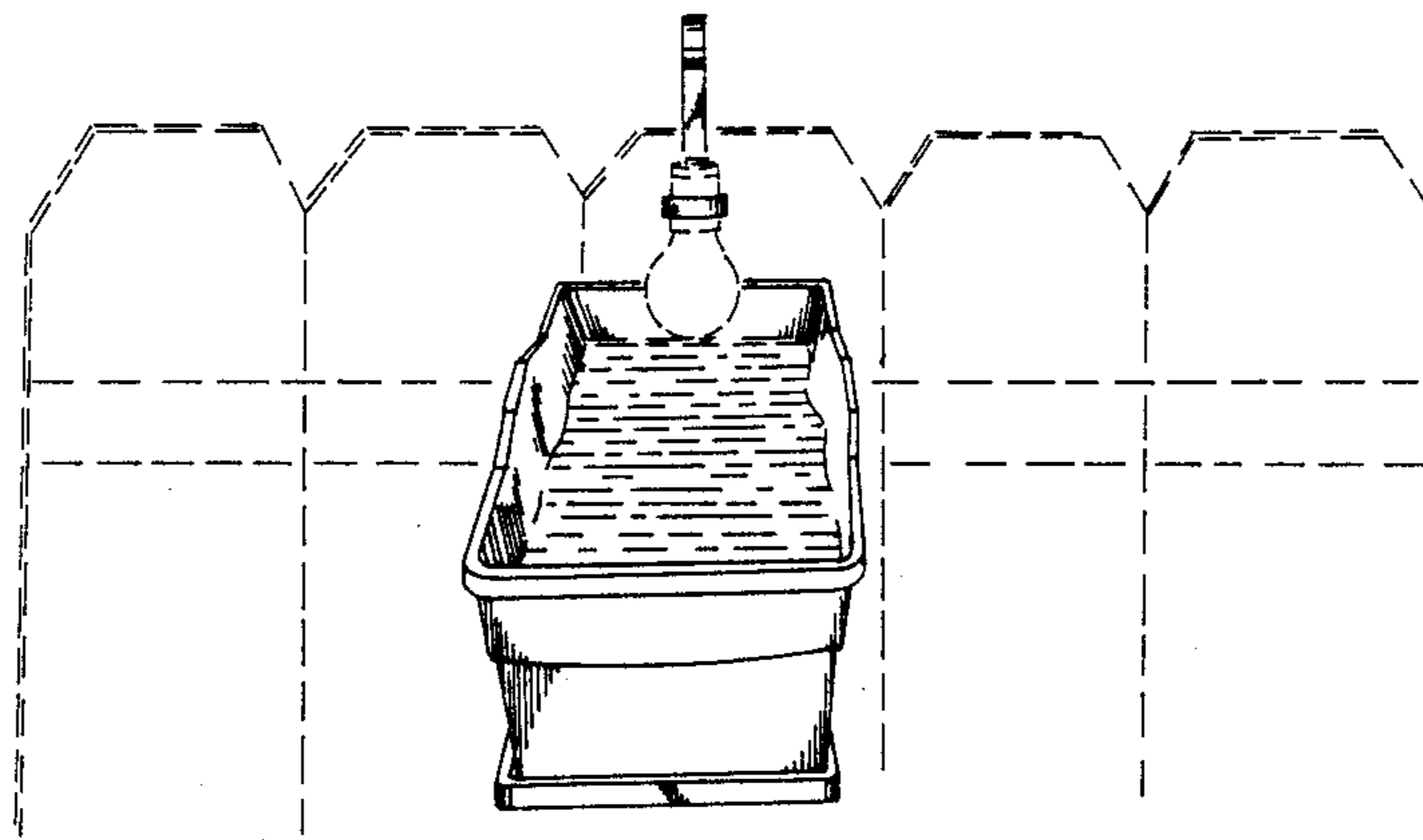


FIG. 1

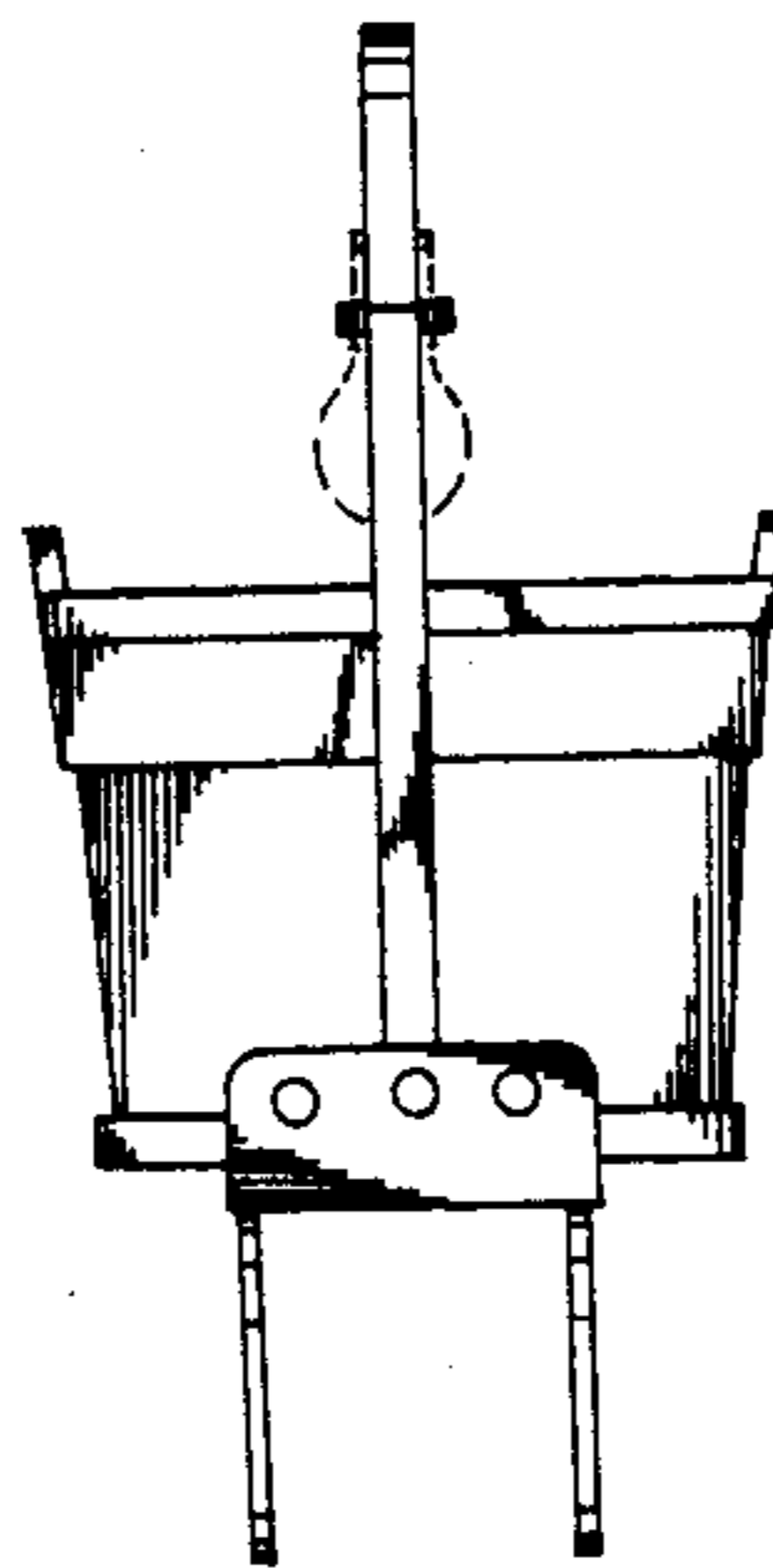


FIG. 2

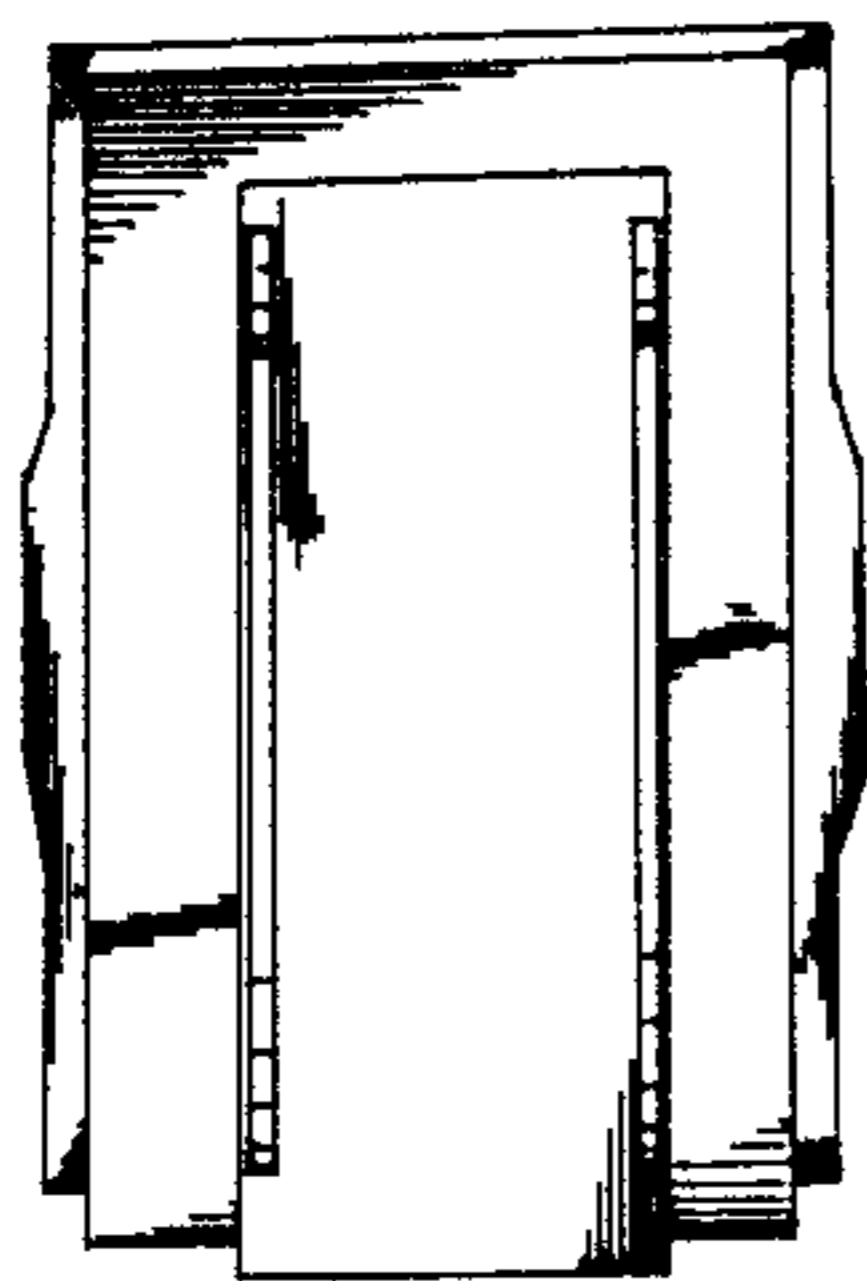


FIG. 3

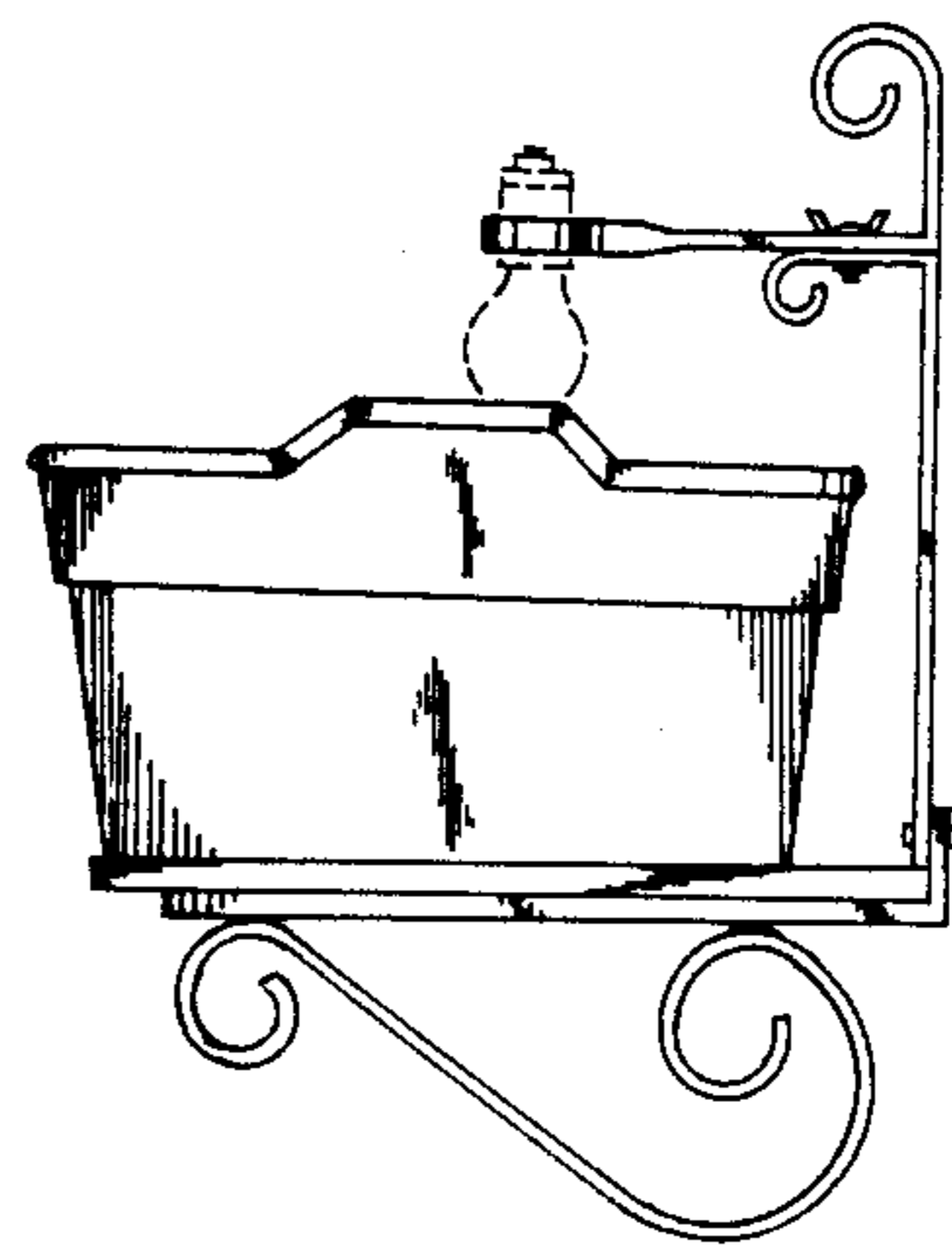


FIG. 4