

# United States Patent [19]

Satoh et al.

[11] Patent Number: **Des. 313,261**

[45] Date of Patent: **\*\* Dec. 25, 1990**

[54] **MOTOR DRIVEN TOY CAN**

[75] Inventors: **Yasuta Satoh; Yasuyuki Moriyama,**  
both of Nagareyama, Japan

[73] Assignee: **Takara Co., Ltd., Tokyo, Japan**

[\*\*] Term: **14 Years**

[21] Appl. No.: **514,368**

[22] Filed: **Apr. 25, 1990**

[30] **Foreign Application Priority Data**

Oct. 25, 1989 [JP] Japan ..... 1-39054

[52] U.S. Cl. .... **D21/150**

[58] Field of Search ..... D9/307, 311, 316, 352;  
D21/59, 109, 150, 177; 446/175, 303, 390, 129,  
176, 268, 323, 359; 272/877, 27 N; D16/102;  
220/1 R

[56] **References Cited**

**U.S. PATENT DOCUMENTS**

D. 114,260 4/1939 Brunetti ..... D16/102

D. 156,088 11/1949 Foster ..... D21/177  
D. 183,845 11/1958 Liautaud ..... D16/102  
D. 271,663 12/1983 Stark ..... D9/307  
D. 299,698 2/1989 De Bose ..... D9/368  
4,860,908 8/1989 Rumble ..... 220/1 R

## OTHER PUBLICATIONS

Freund Can Co. Catalog, p. 12, Item 1818, 1819.

*Primary Examiner*—Charles A. Rademaker

*Attorney, Agent, or Firm*—Price, Gess & Ubell

[57] **CLAIM**

The ornamental design for a motor driven toy can, as shown and described.

## DESCRIPTION

FIG. 1 is a front perspective view of a motor driven toy can showing our new design;

FIG. 2 is a front elevational view thereof;

FIG. 3 is a rear elevational view thereof;

FIG. 4 is a right side elevational view thereof;

FIG. 5 is a top plan view thereof; and

FIG. 6 is a bottom plan view thereof.

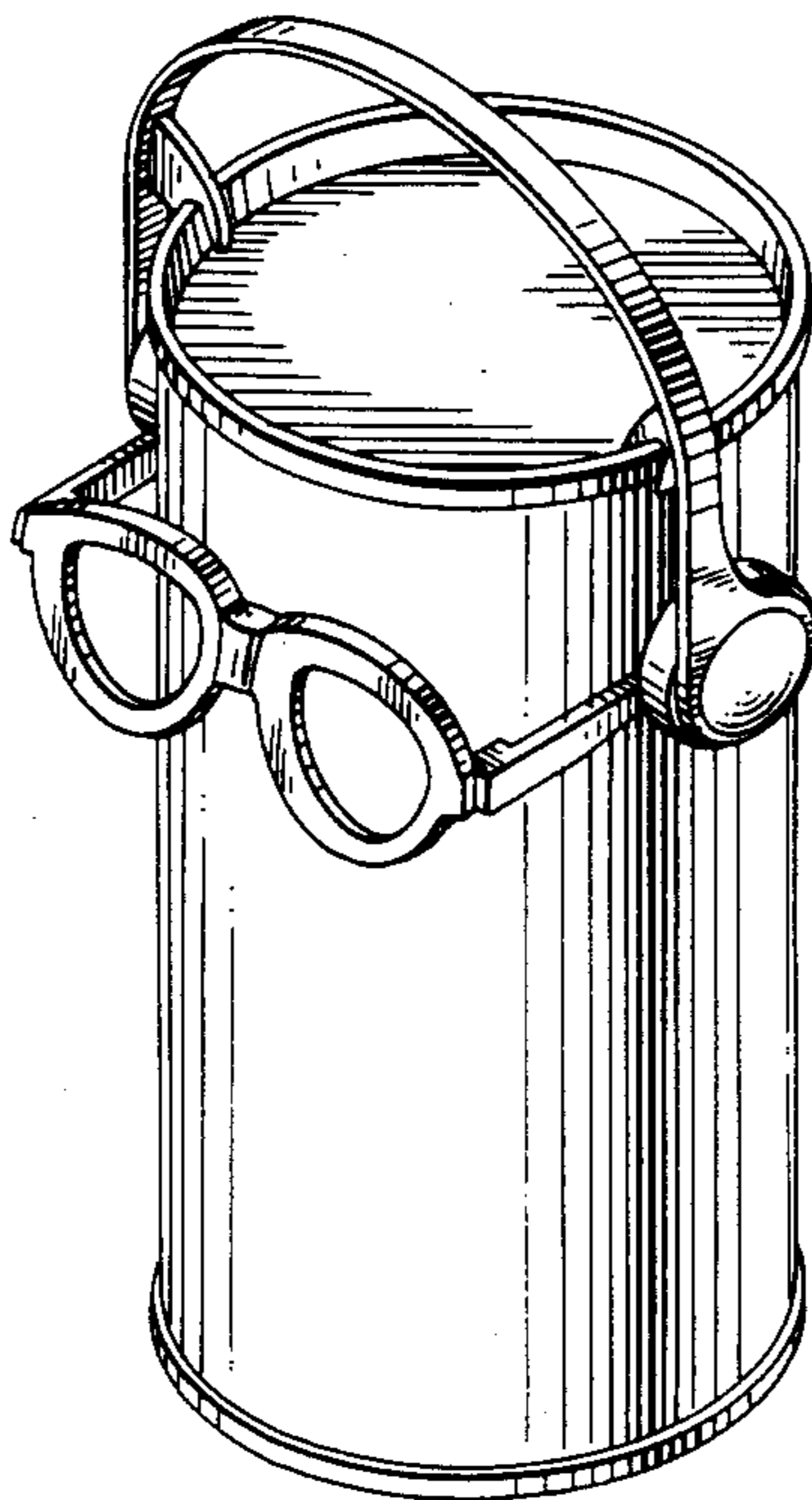


FIG. 1

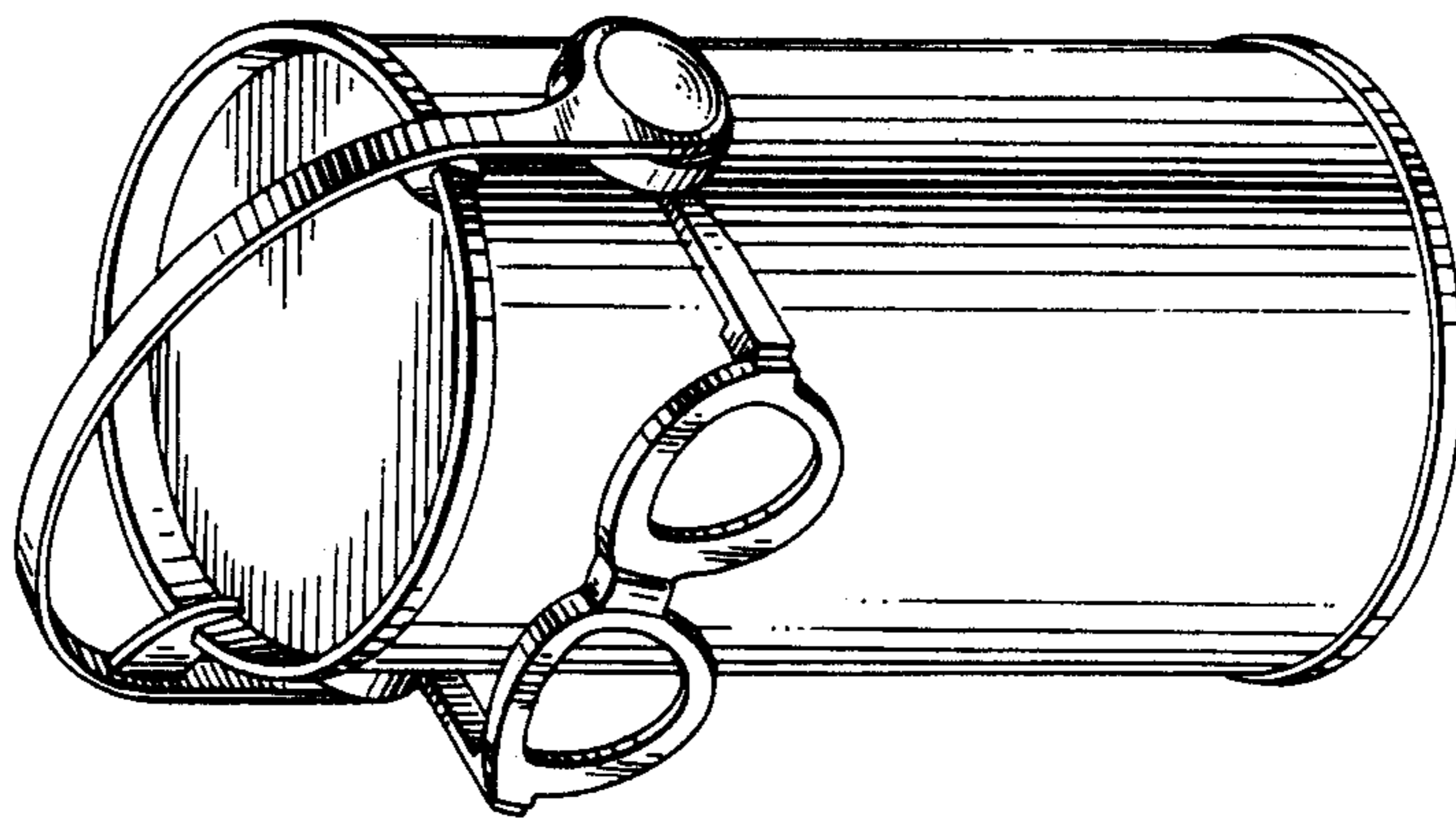


FIG. 2

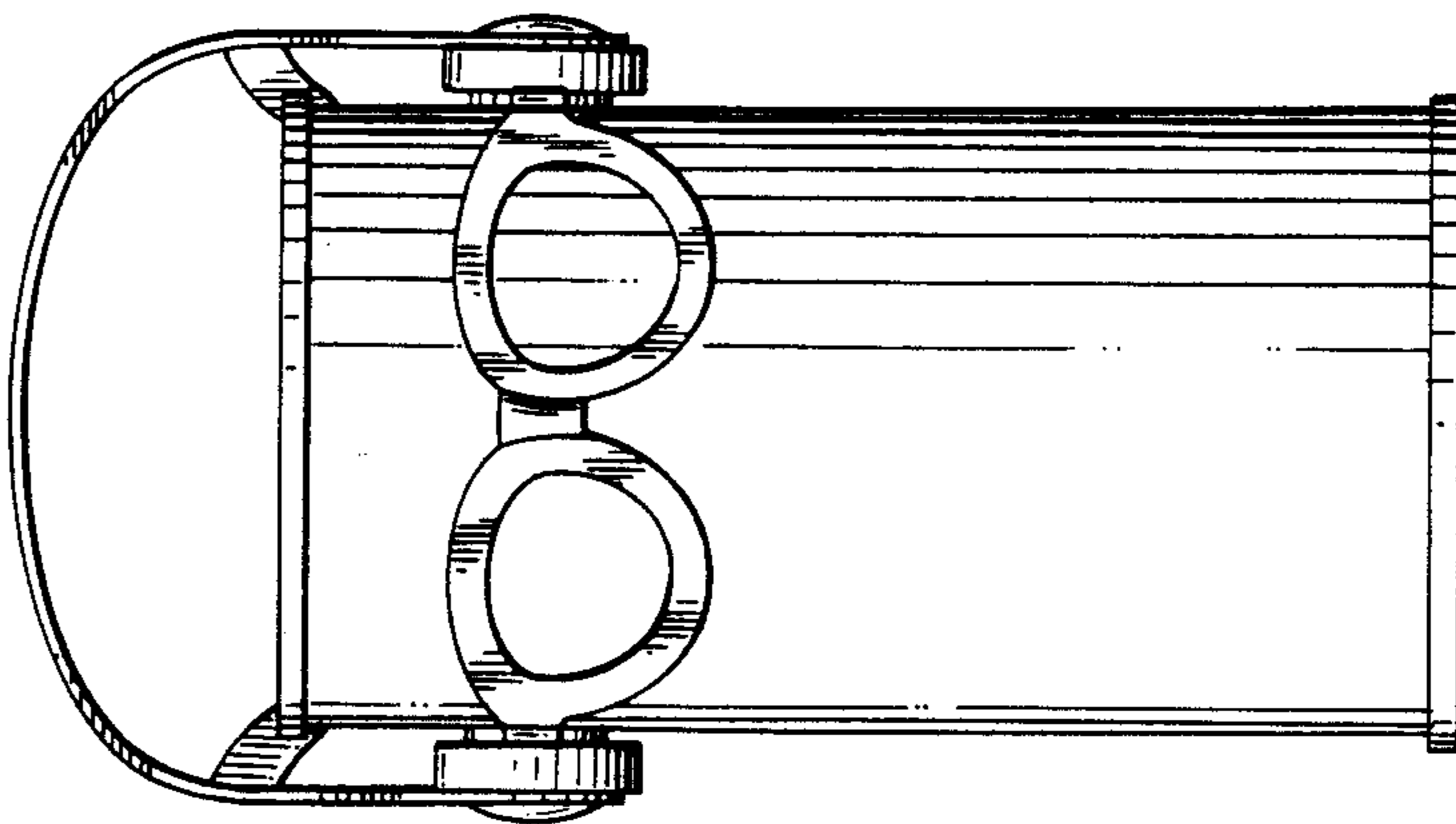


FIG. 3

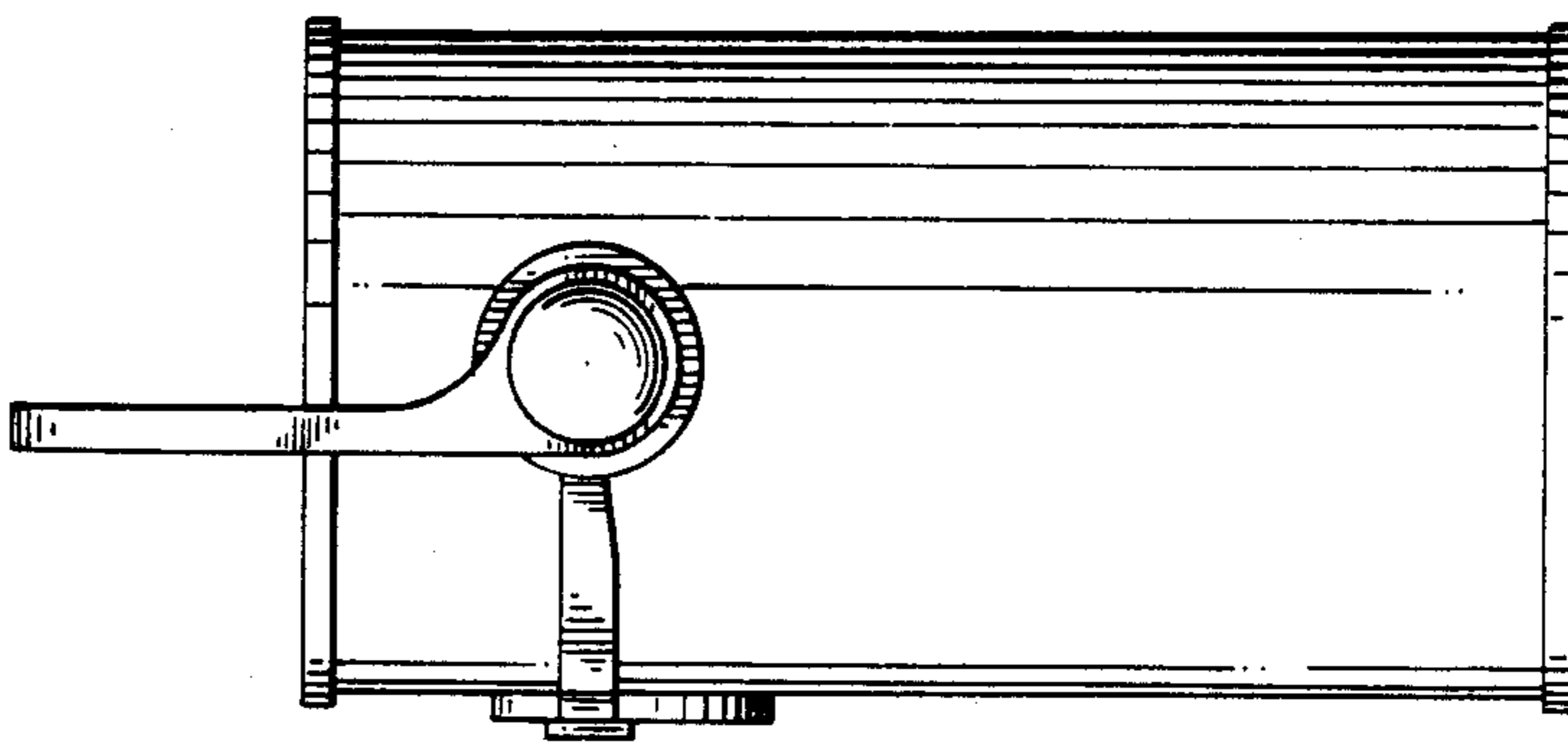


FIG. 4

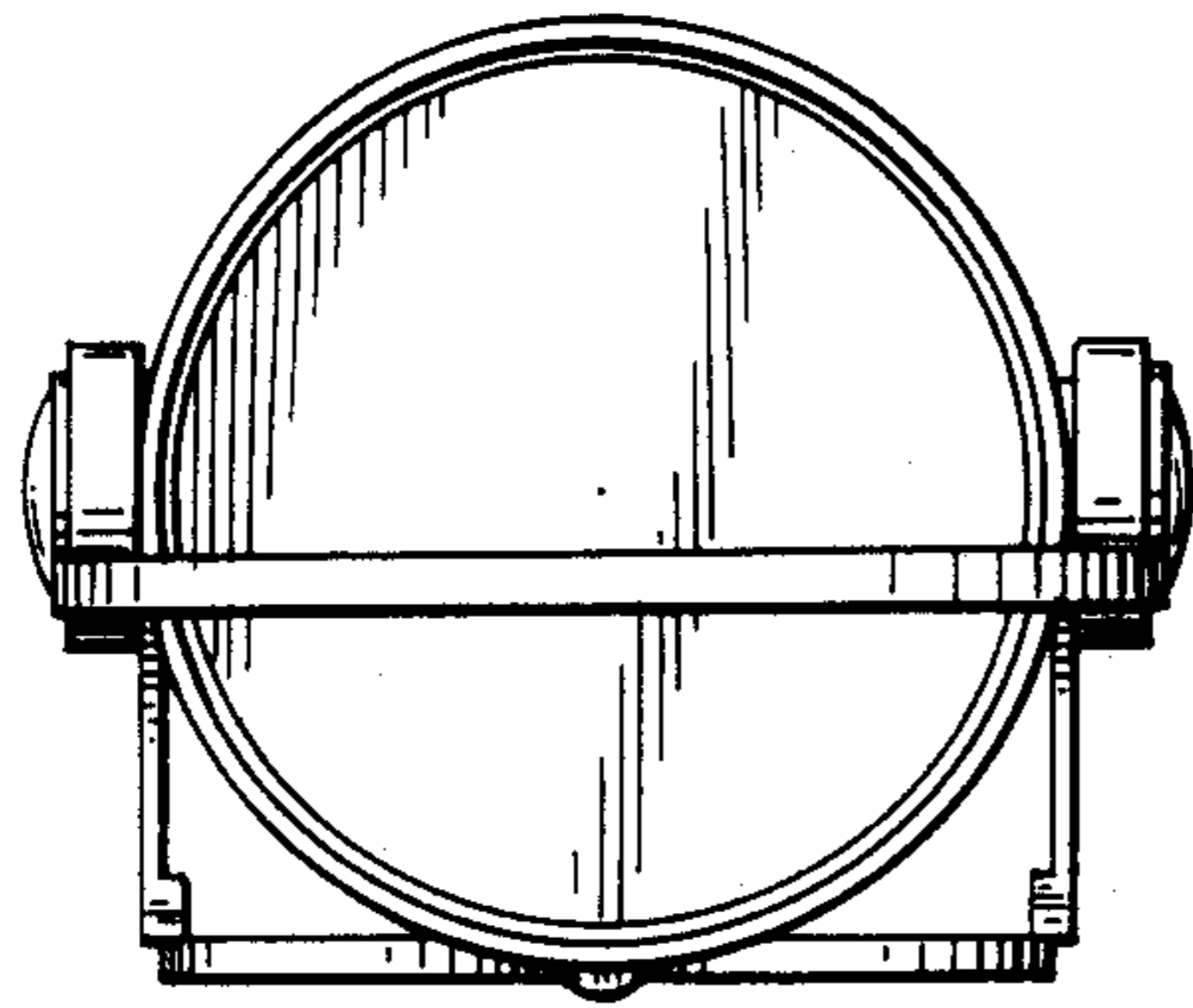


FIG. 5

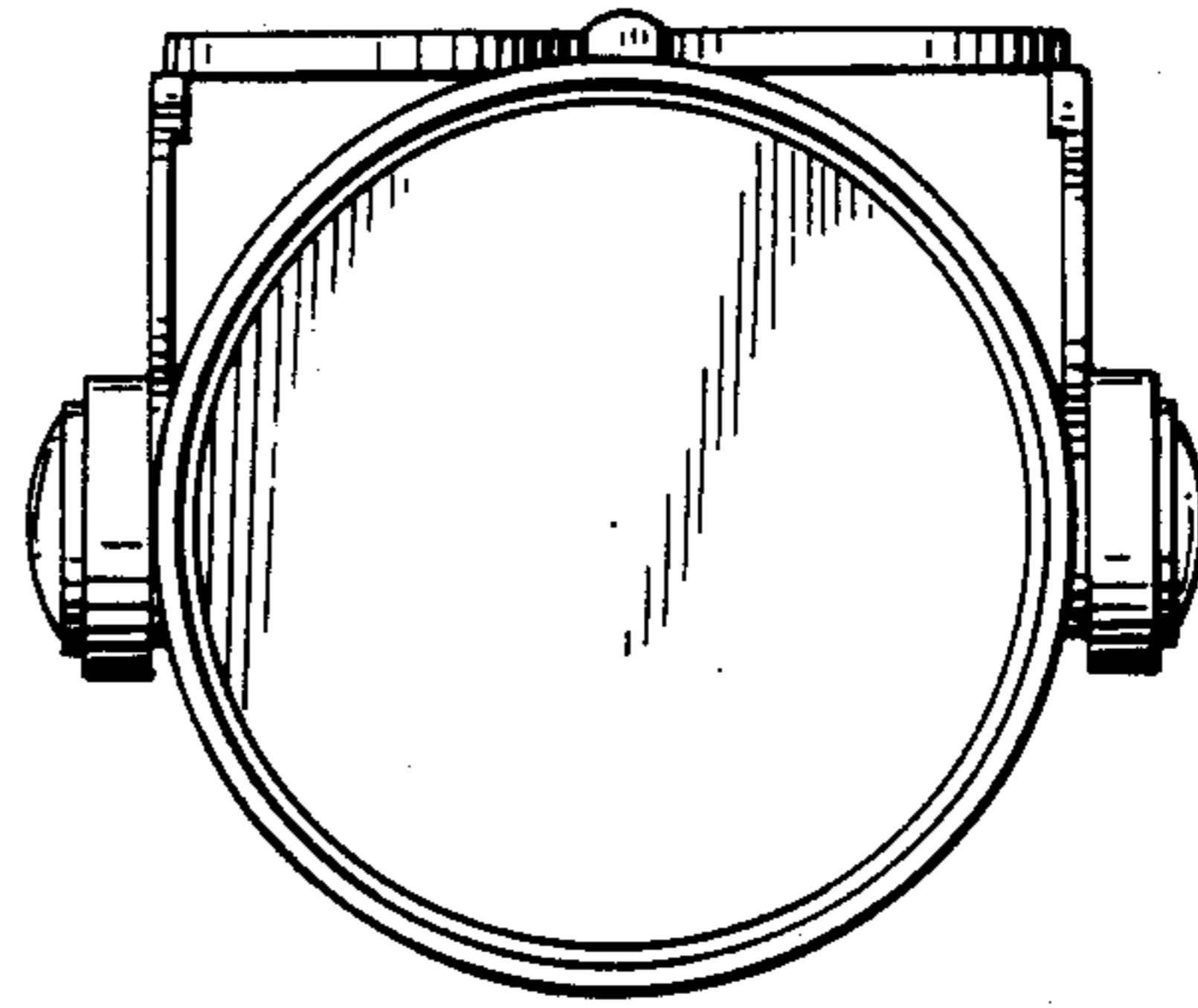


FIG. 6

