

United States Patent [19]

Tsuchiya

[11] Patent Number: Des. 313,257

[45] Date of Patent: ** Dec. 25, 1990

[54] TOY CAR

[75] Inventor: Hirotugu Tsuchiya, Shizuoka, Japan

[73] Assignee: Kabushiki Kaisha Tamiya Mokei,
Ondahara, Japan

[**] Term: 14 Years

[21] Appl. No.: 338,241

[22] Filed: Apr. 14, 1989

[30] Foreign Application Priority Data

Oct. 17, 1988 [JP] Japan 63-40308

[52] U.S. Cl. D21/137

[58] Field of Search D21/124, 129, 131, 134,
D21/137, 141; 446/29, 433, 440, 441, 450, 452,
460, 465, 466, 467, 468, 470; 280/87.01, 87.021,
87.040, 87.042, 87.043, 87.05, 87.051

[56] References Cited

U.S. PATENT DOCUMENTS

D. 221,880 9/1971 Herd D21/137
D. 222,160 10/1971 Rudd D21/137
D. 225,017 10/1972 McLaren D21/137
D. 246,613 12/1977 Ogawa D21/137
D. 253,605 12/1979 Herd D21/137

D. 260,913 9/1981 Chapman D21/137
D. 261,672 11/1981 Phillippe D21/137
D. 262,127 12/1981 Phillippe D21/137
D. 268,940 5/1983 Head D21/137
D. 275,940 10/1984 Ogilvie D21/137
D. 285,465 9/1986 Ohno D21/137

OTHER PUBLICATIONS

Tamiya Brochure, 2-88, p. 2, "Avante" Model.

Primary Examiner—Charles A. Rademaker

Assistant Examiner—Alicia A. Farrell

Attorney, Agent, or Firm—Finnegan, Henderson,
Farabow, Garrett & Dunner

[57] CLAIM

The ornamental design for a toy car, as shown and described.

DESCRIPTION

FIG. 1 is a perspective view of a toy car showing my new design;

FIG. 2 is a front elevational view thereof;

FIG. 3 is a rear elevational view thereof;

FIG. 4 is a top plan view thereof;

FIG. 5 is a bottom plan view thereof;

FIG. 6 is a right side elevational view thereof; and

FIG. 7 is a left side elevational view thereof.

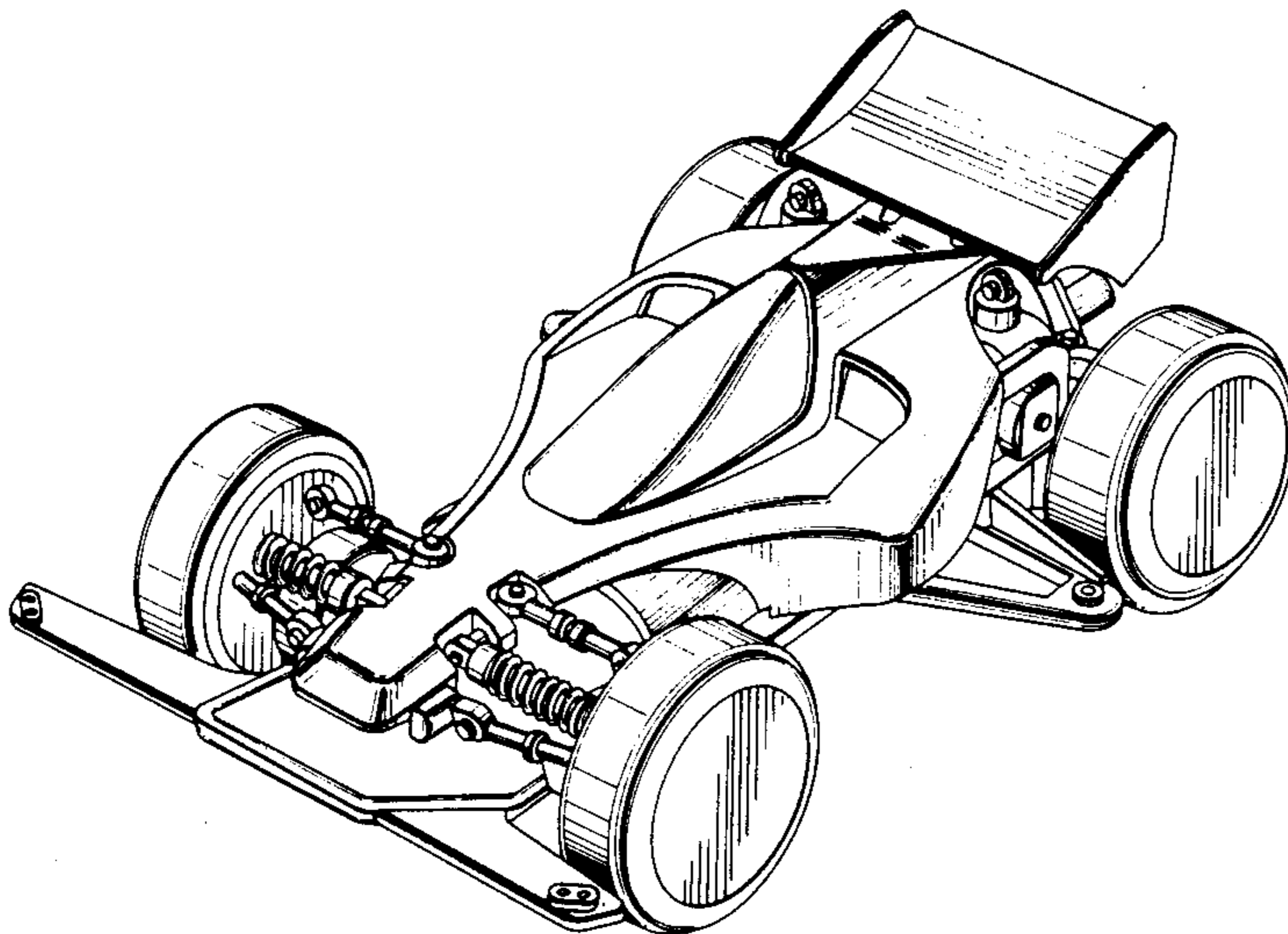


FIG. 1

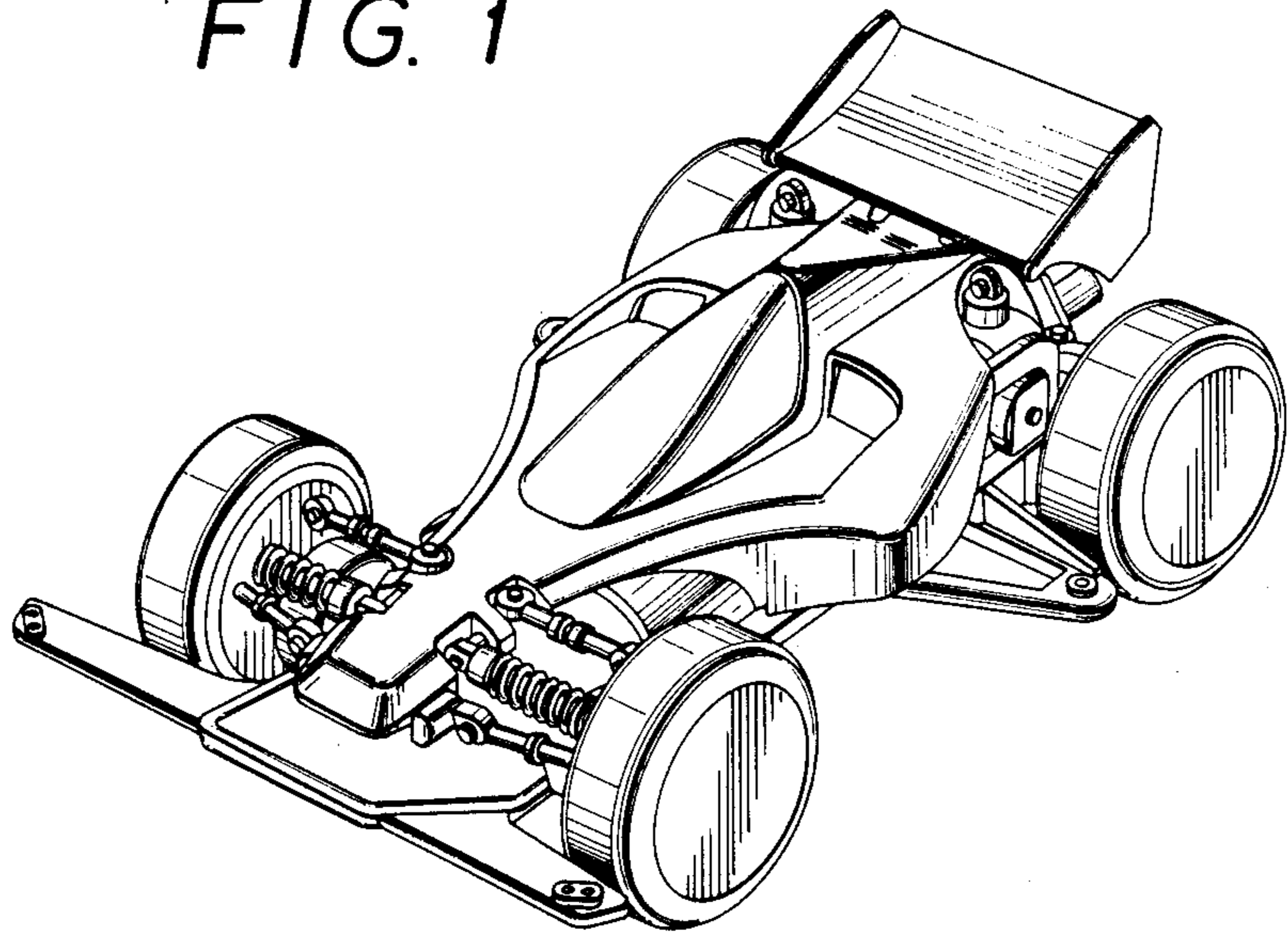


FIG. 2

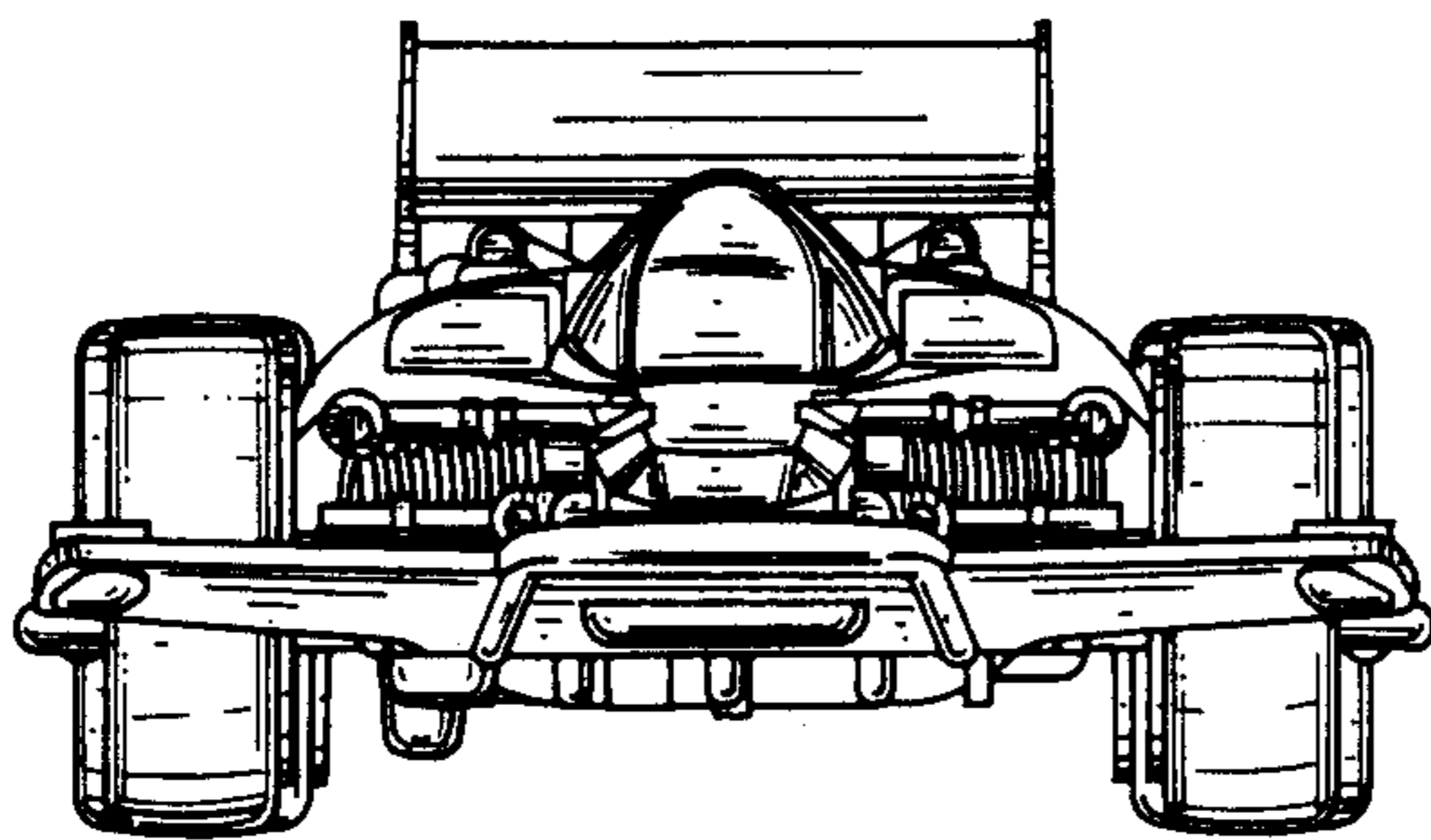


FIG. 3

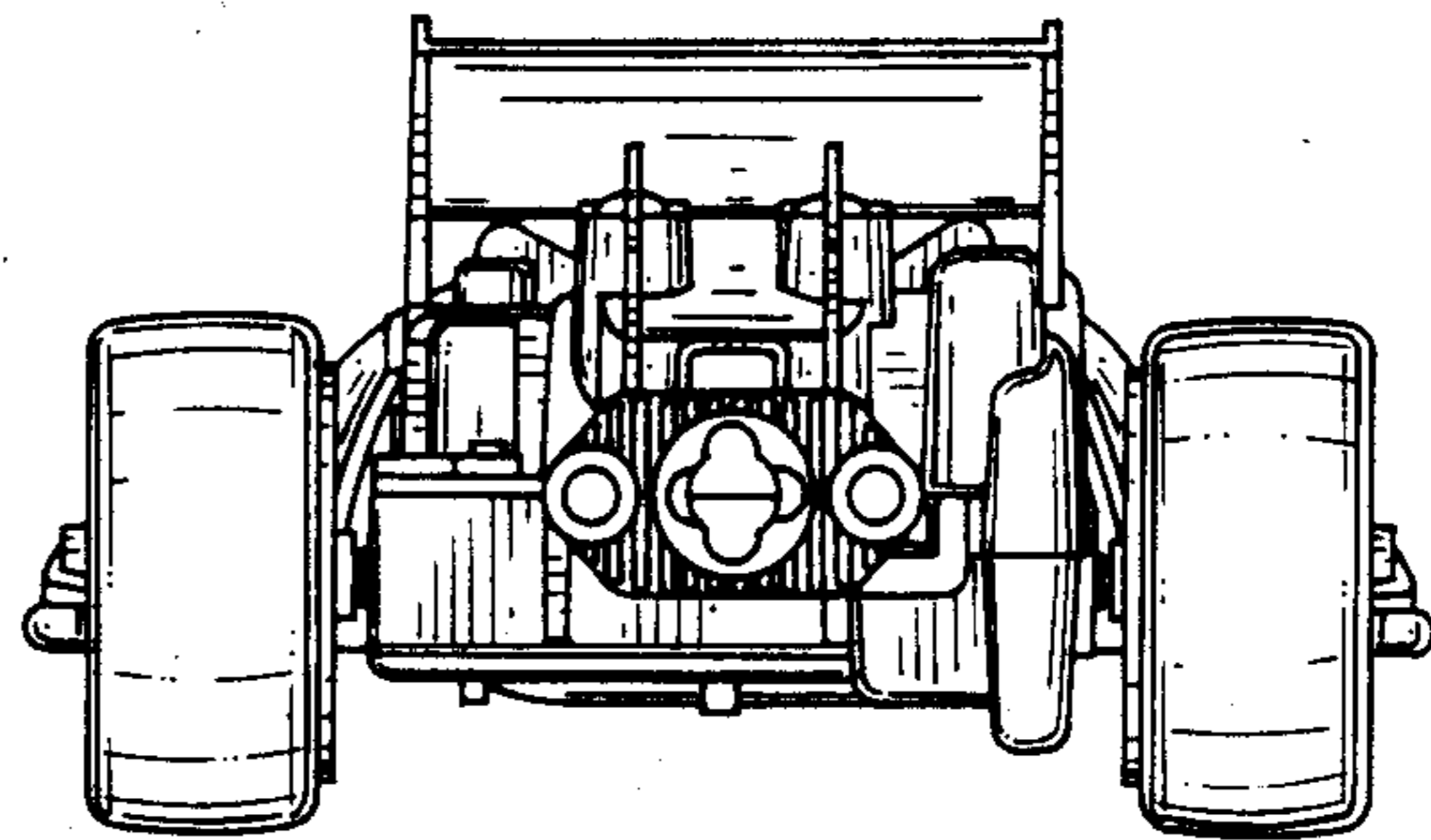


FIG. 4

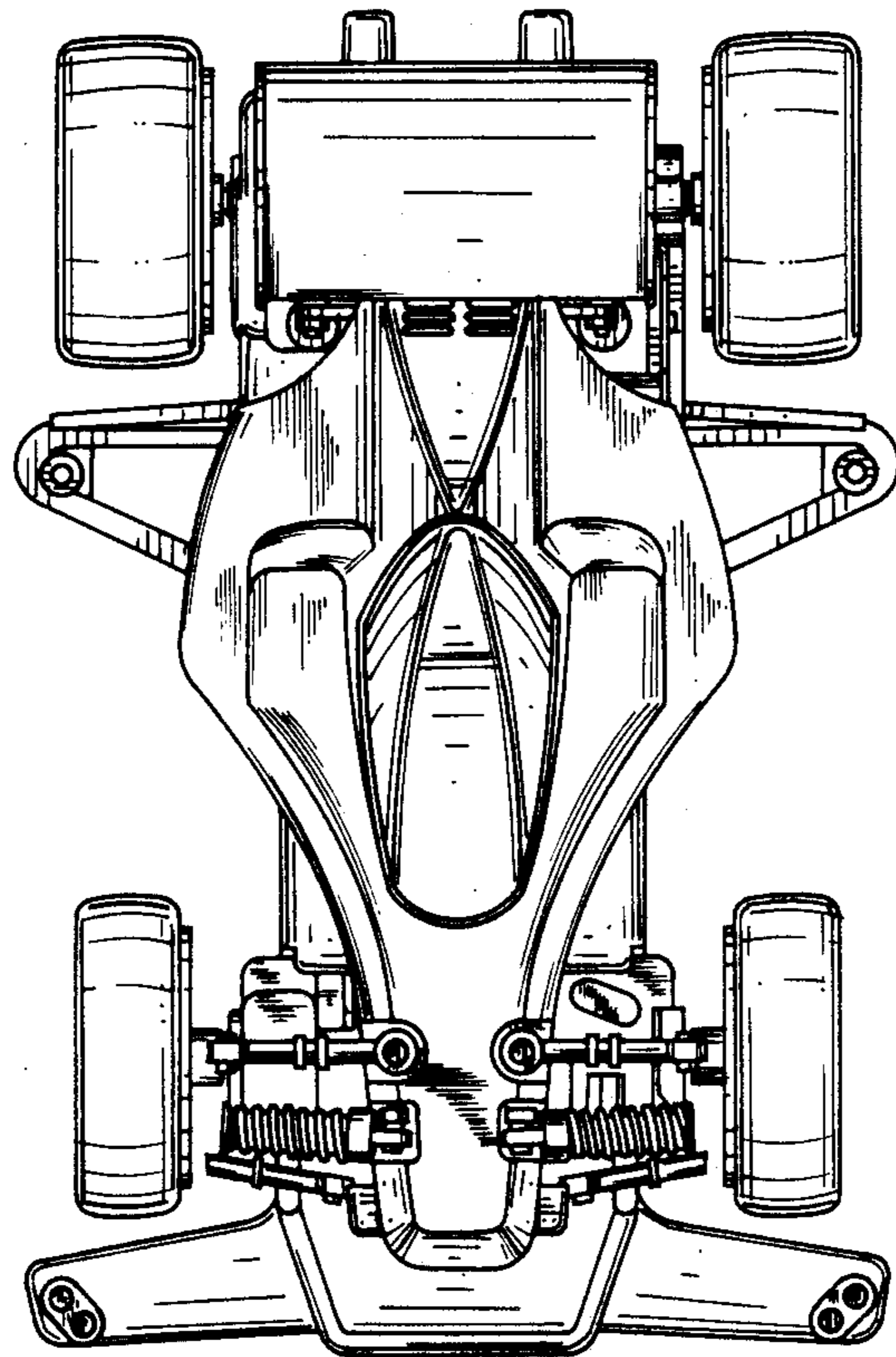


FIG. 6

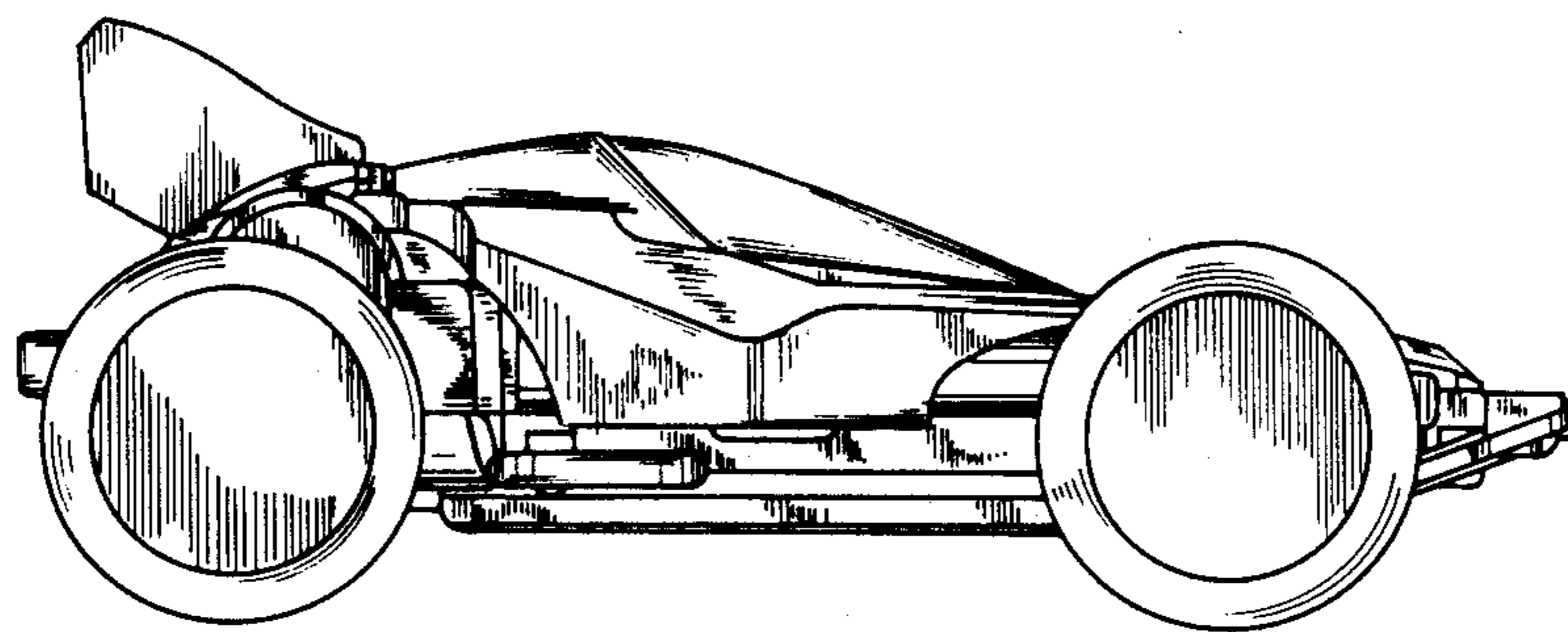


FIG. 5

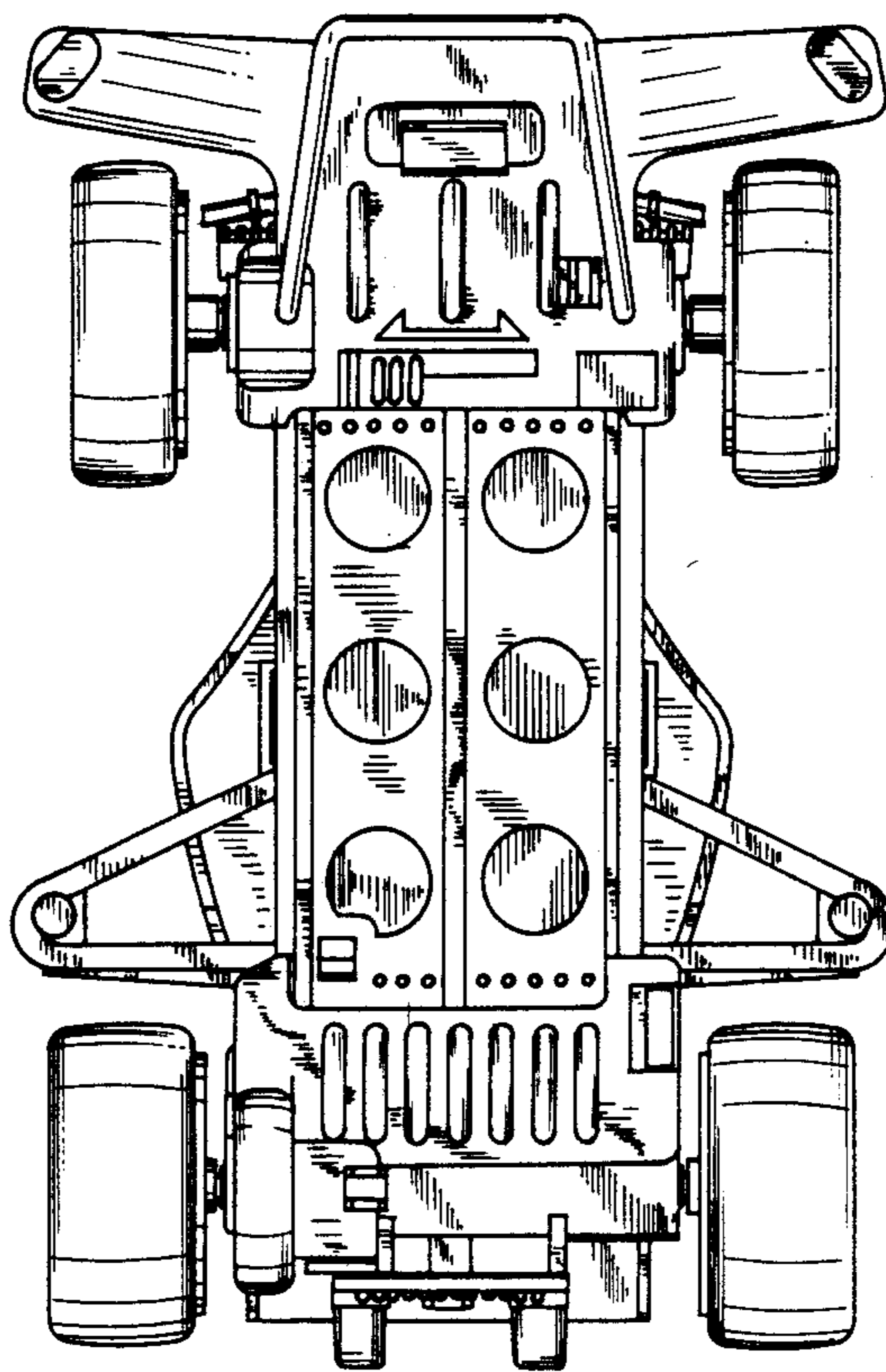


FIG. 7

