

[54] TOY CAR

[75] Inventor: Michio Honma, Yaizu, Japan

[73] Assignee: Kabushiki Kaisha Tamiya Mokei, Ondahara, Japan

[\*\*] Term: 14 Years

[21] Appl. No.: 314,667

[22] Filed: Feb. 23, 1989

[30] Foreign Application Priority Data

Aug. 31, 1988 [JP] Japan ..... 63-34121

[52] U.S. Cl. .... D21/137

[58] Field of Search ..... D21/124, 129, 131, 134, D21/141, 137; 446/29, 433, 440, 441, 450, 452, 460, 465, 466, 467, 468, 470; 280/87.01, 87.021, 87.041, 87.042, 87.043, 87.05, 87.051

[56] References Cited

U.S. PATENT DOCUMENTS

- D. 221,880 9/1971 Herd ..... D21/137
- D. 222,160 10/1971 Rudd ..... D21/137
- D. 225,017 10/1972 McLaren ..... D21/137
- D. 246,613 12/1977 Ogawa ..... D21/137
- D. 253,605 12/1979 Herd ..... D21/137

- D. 260,913 9/1981 Chapman ..... D21/137
- D. 261,672 11/1981 Philippe ..... D21/137
- D. 262,127 12/1981 Philippe ..... D21/137
- D. 268,940 5/1983 Head ..... D21/137
- D. 275,940 10/1984 Ogilvie ..... D21/137
- D. 285,465 9/1986 Ohno ..... D21/137

OTHER PUBLICATIONS

Tamiya Brochure, 2-88, p. 2, "Avante" model.

Primary Examiner—Charles A. Rademaker

Assistant Examiner—Alicia A. Farrell

Attorney, Agent, or Firm—Finnegan, Henderson, Farabow, Garrett & Dunner

[57] CLAIM

The ornamental design for a toy car, as shown and described.

DESCRIPTION

FIG. 1 is a left side elevational view of a toy car showing my new design;

FIG. 2 is a right side elevational view thereof;

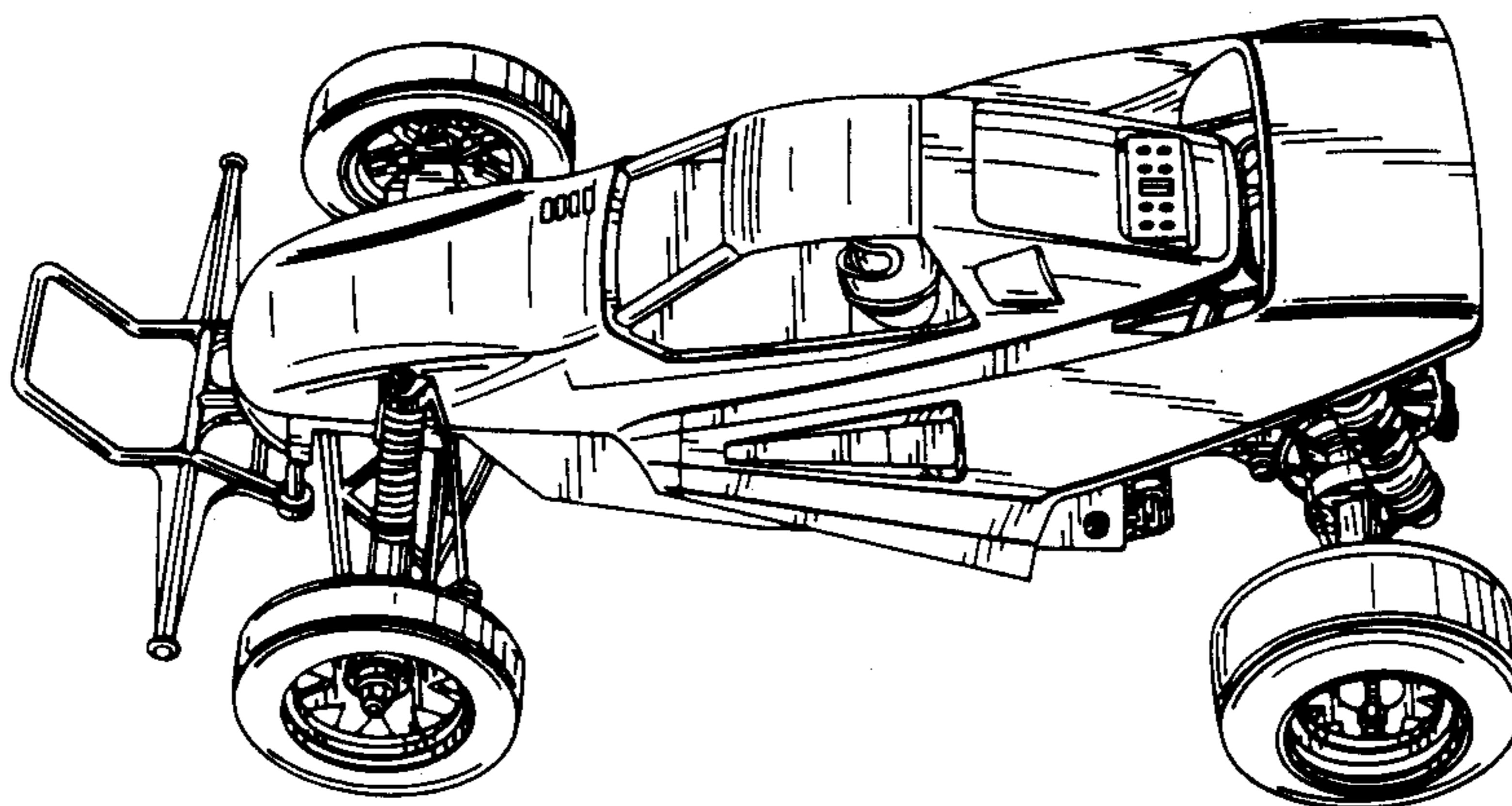
FIG. 3 is a perspective view thereof;

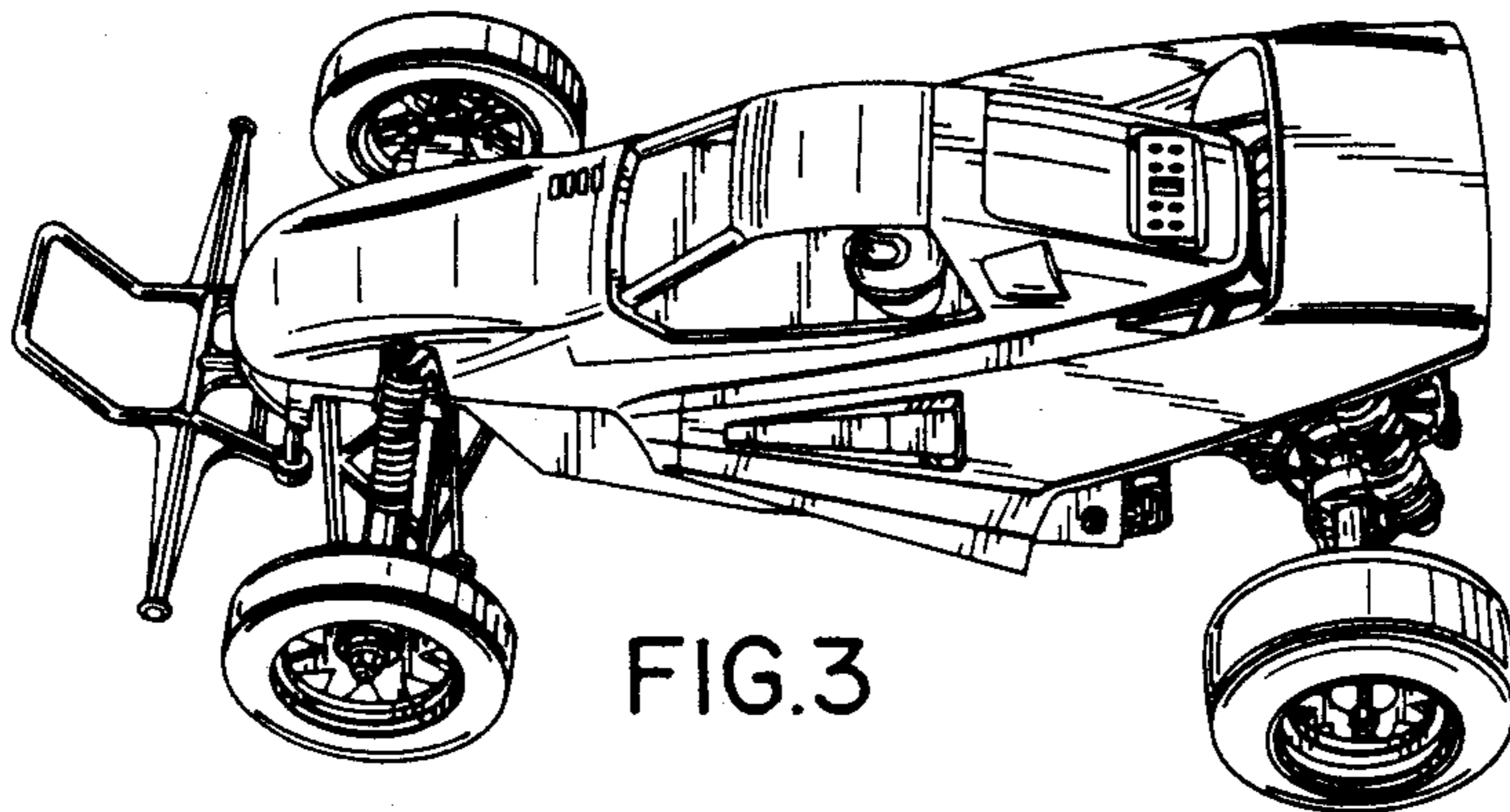
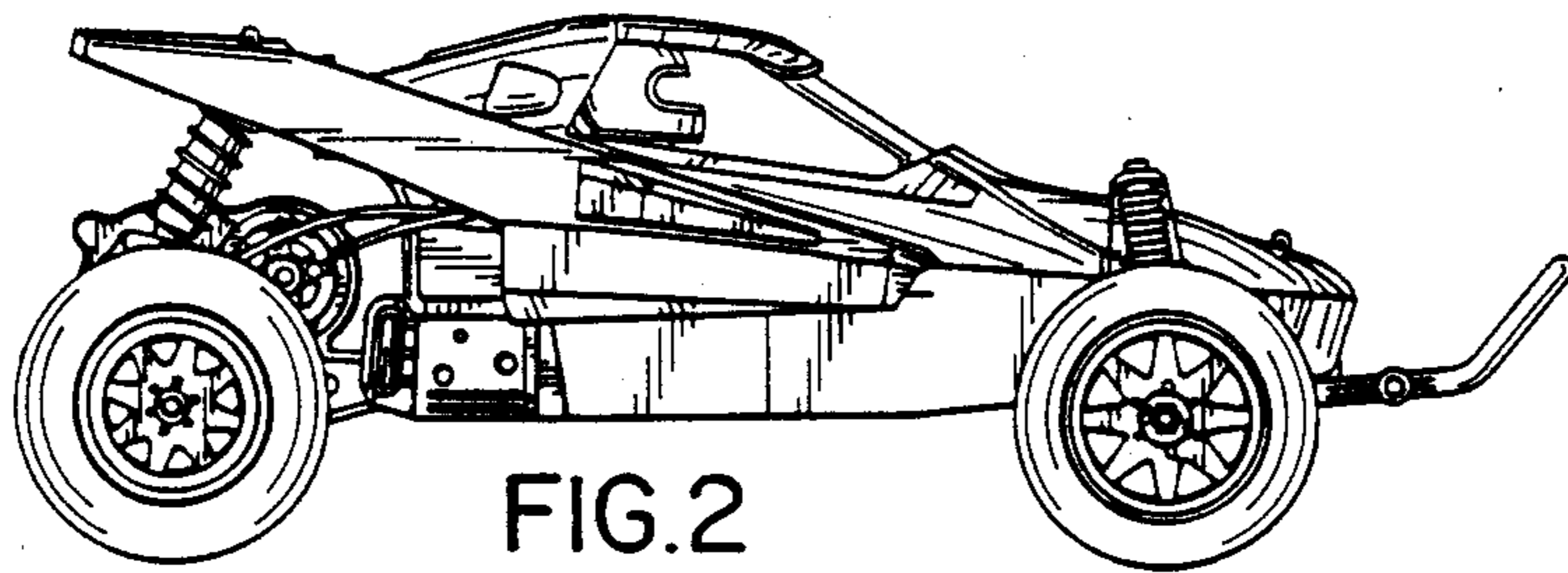
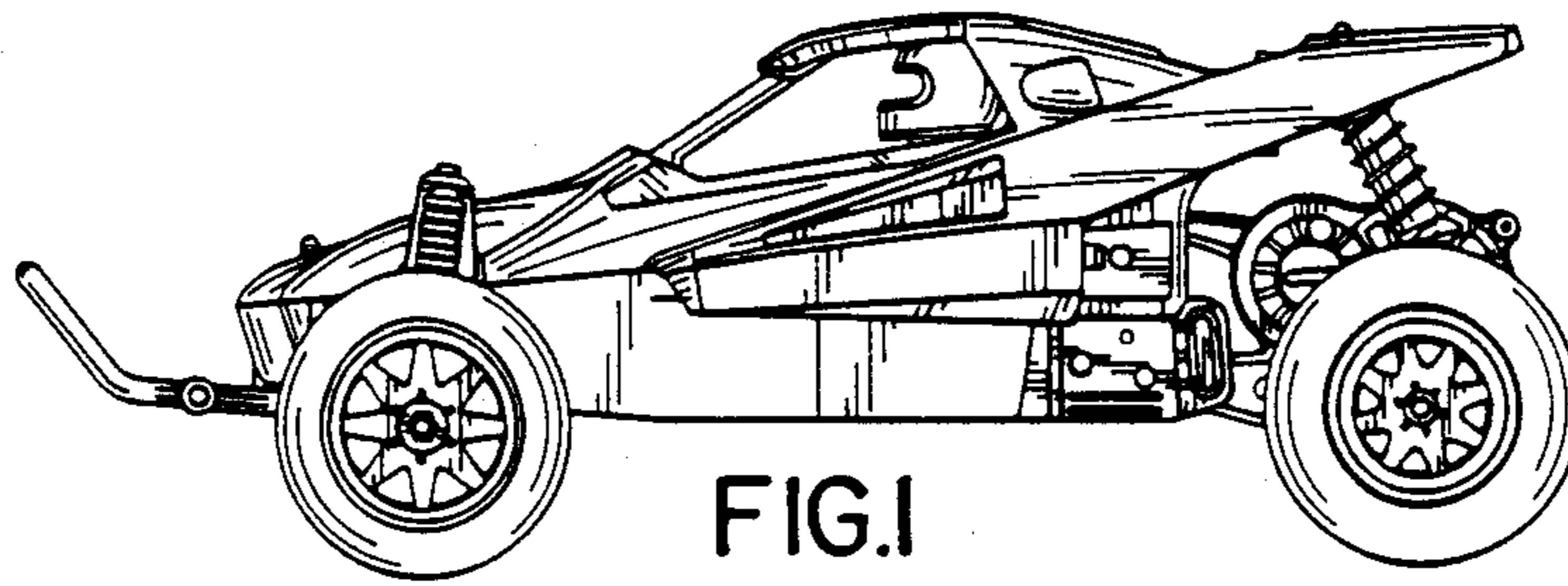
FIG. 4 is a front elevational view thereof;

FIG. 5 is a rear elevational view thereof;

FIG. 6 is a top plan view thereof; and

FIG. 7 is a bottom plan view thereof.





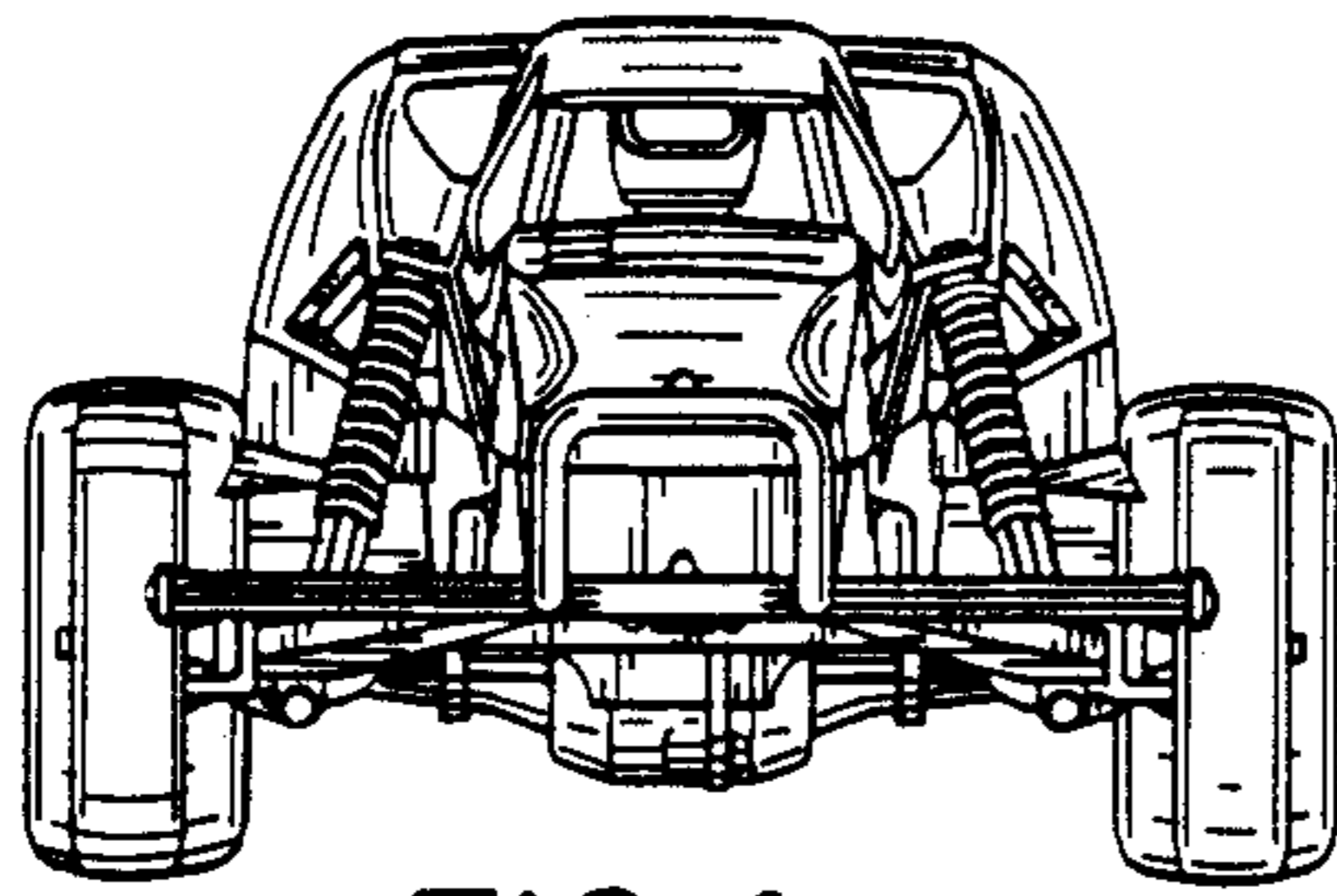


FIG. 4

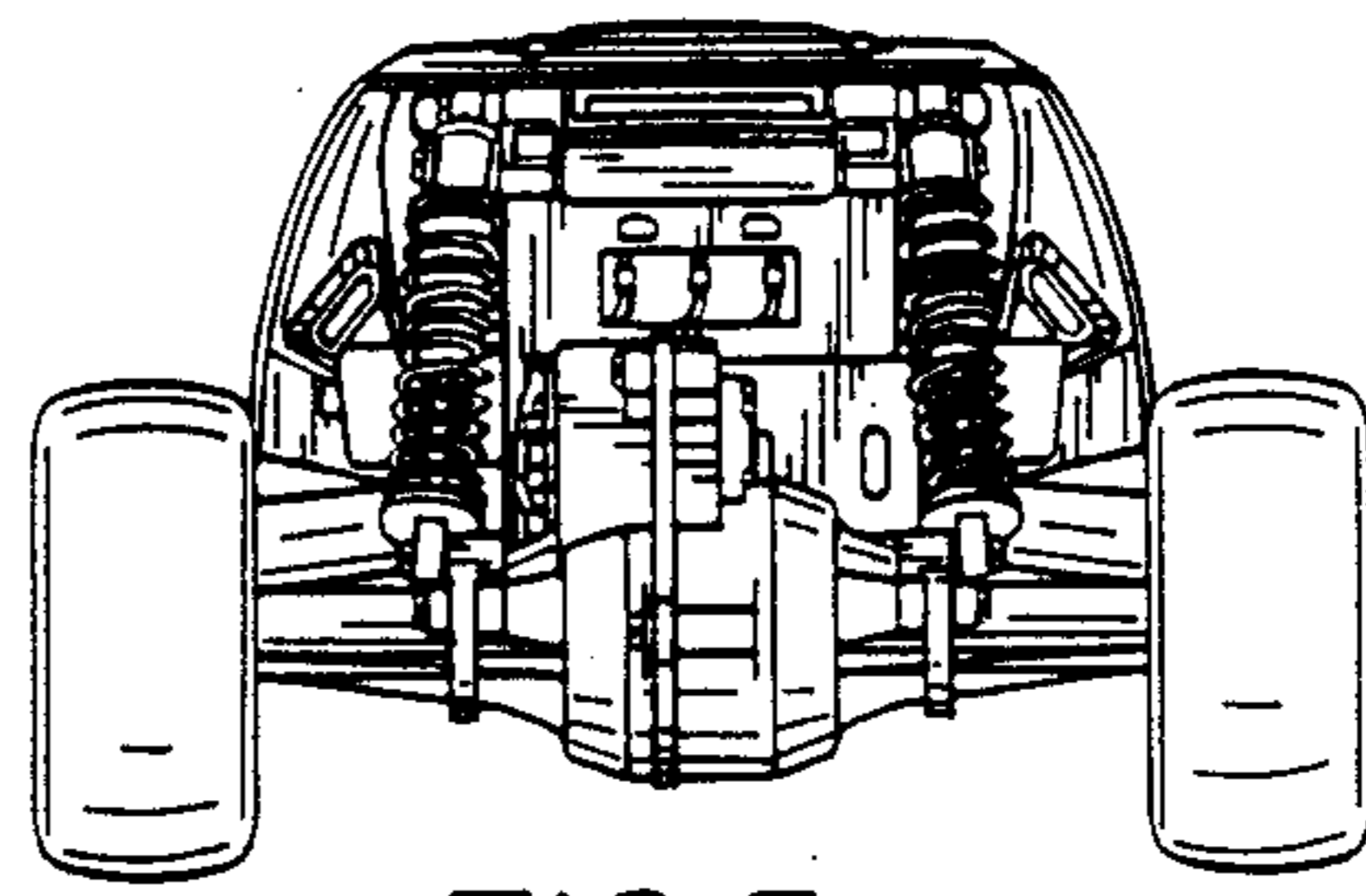


FIG. 5

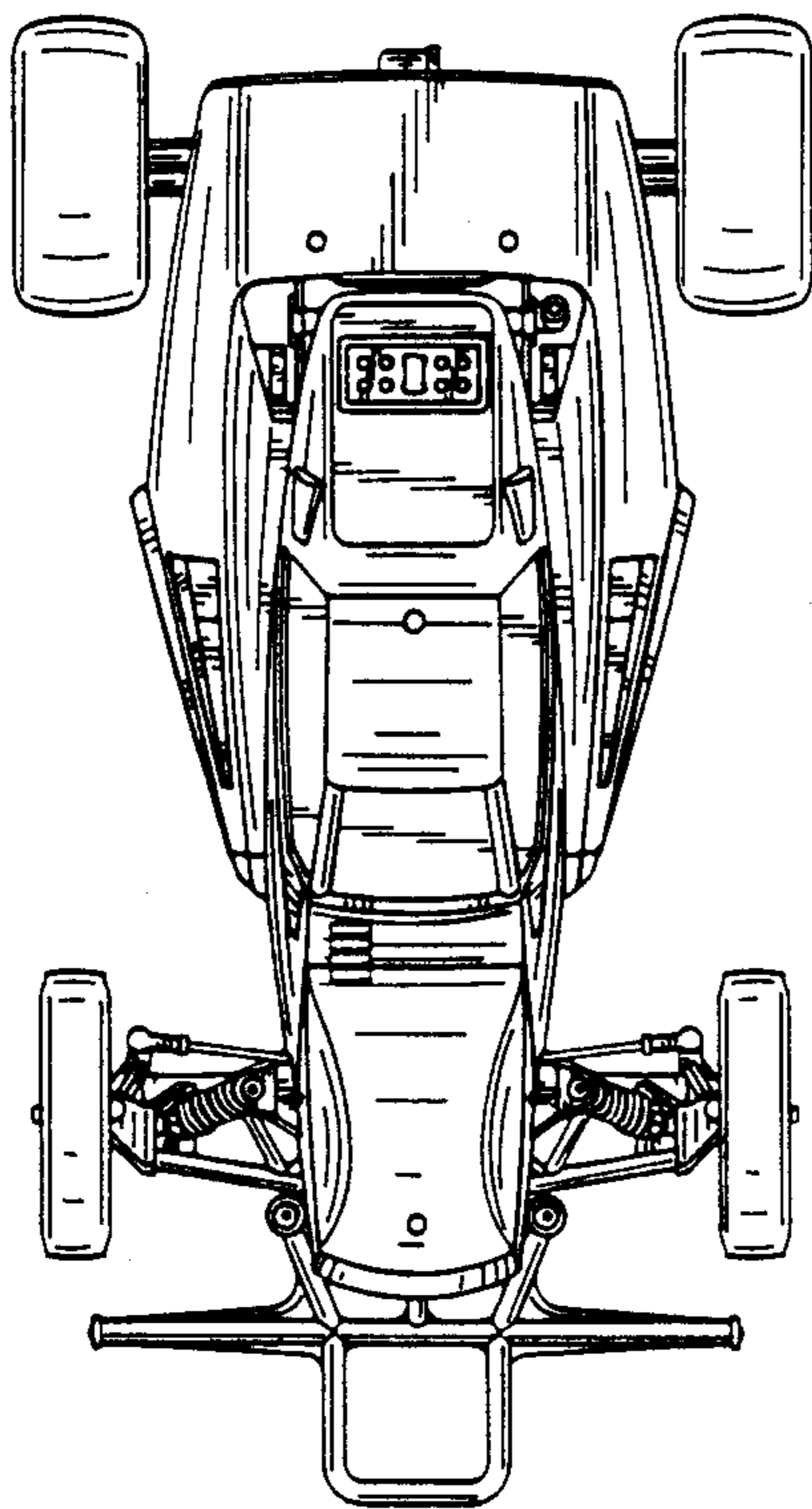


FIG. 6

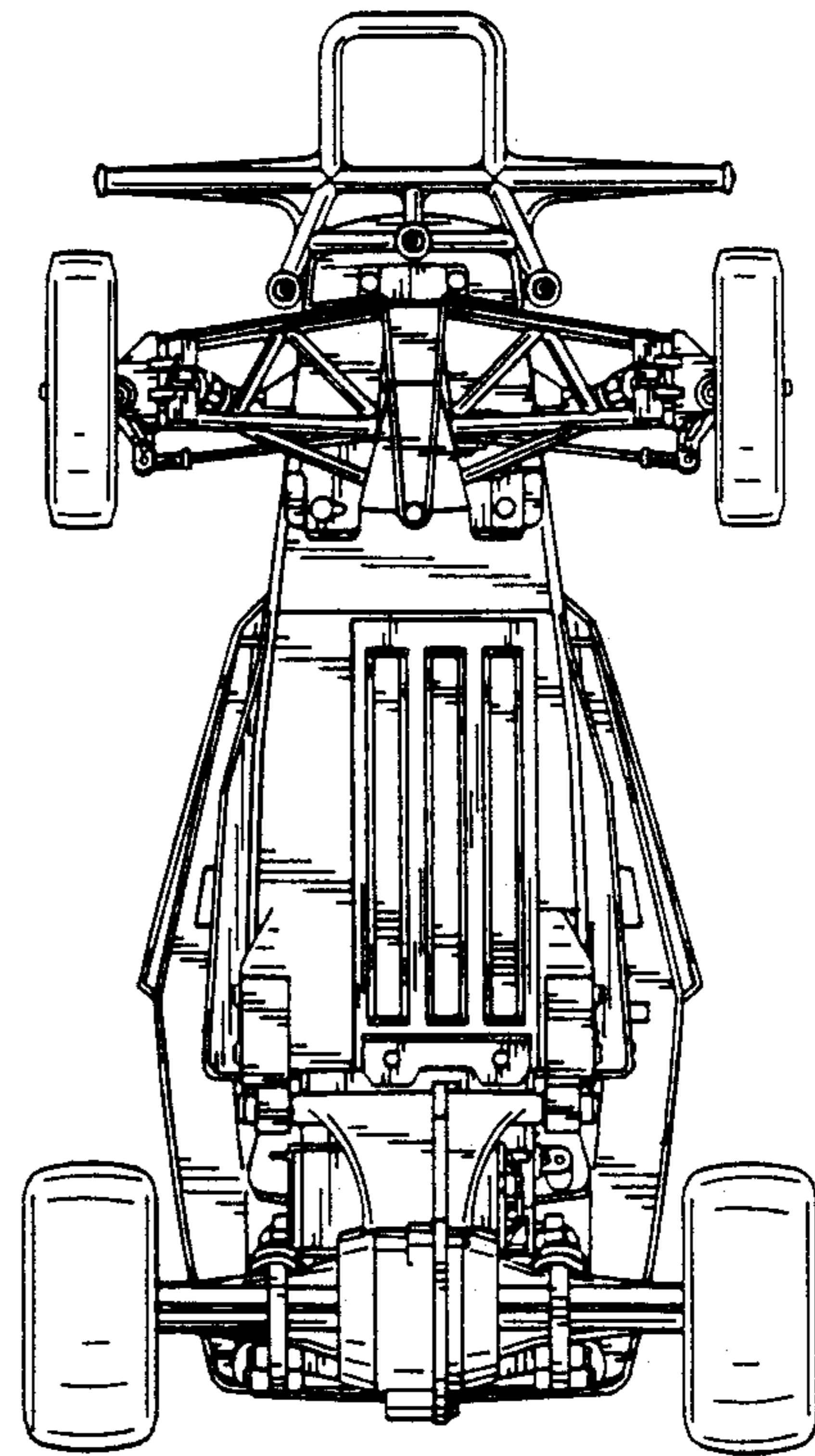


FIG. 7