

[54] **TOY WHEELBARROW**

[75] **Inventor: Wade A. F. Maple, Elma, N.Y.**

[73] **Assignee: The Quaker Oats Company, Chicago, Ill.**

[**] **Term: 14 Years**

[21] **Appl. No.: 232,578**

[22] **Filed: Aug. 15, 1988**

[52] **U.S. Cl. D21/134; D34/16**

[58] **Field of Search D21/78, 79, 124, 132, D21/134; D34/16, 17; 446/450, 451, 454, 465, 470; 280/47.31**

[56] **References Cited**

U.S. PATENT DOCUMENTS

D. 82,531 11/1930 Wetzell D21/134
D. 148,747 2/1948 Berker D34/16
D. 239,125 3/1976 Vota D21/134
D. 274,174 6/1984 Rivollet D21/134

D. 285,949 9/1986 Thomson et al. D21/134
4,865,337 9/1989 Disler et al. 446/465

OTHER PUBLICATIONS

Sears Catalog, 1985, p. 571, No. 7, wheelbarrow.

Primary Examiner—Melvin B. Feifer

Assistant Examiner—Philip Hyder

Attorney, Agent, or Firm—Cumpston & Shaw

[57] **CLAIM**

The ornamental design for a toy wheelbarrow, as shown and described.

DESCRIPTION

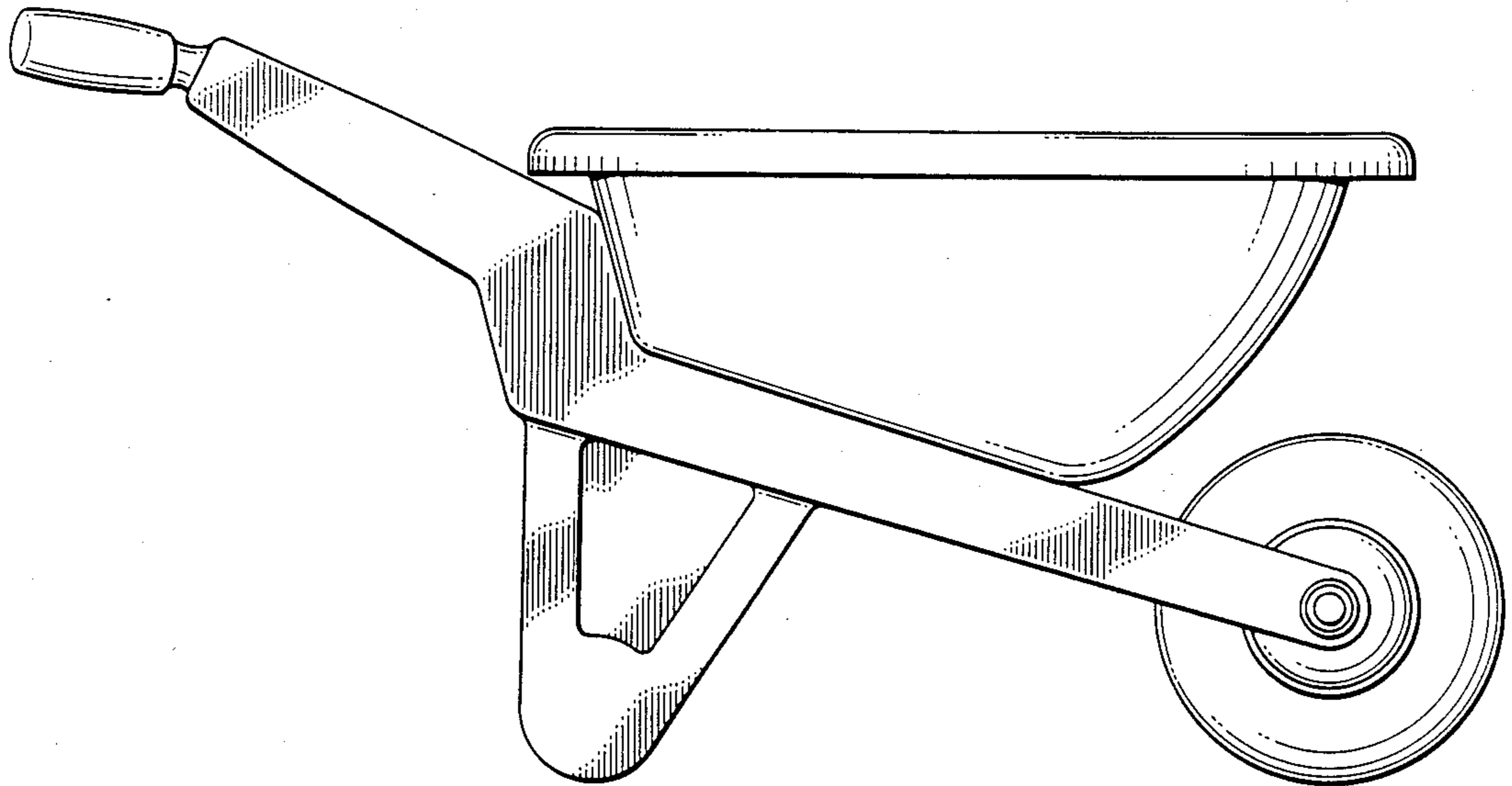
FIG. 1 is a right side elevational view of a toy wheelbarrow showing my new design, the left side view being a mirror image;

FIG. 2 is a top plan view thereof;

FIG. 3 is a front elevational view thereof;

FIG. 4 is a rear elevational view thereof; and

FIG. 5 is a bottom plan view thereof.



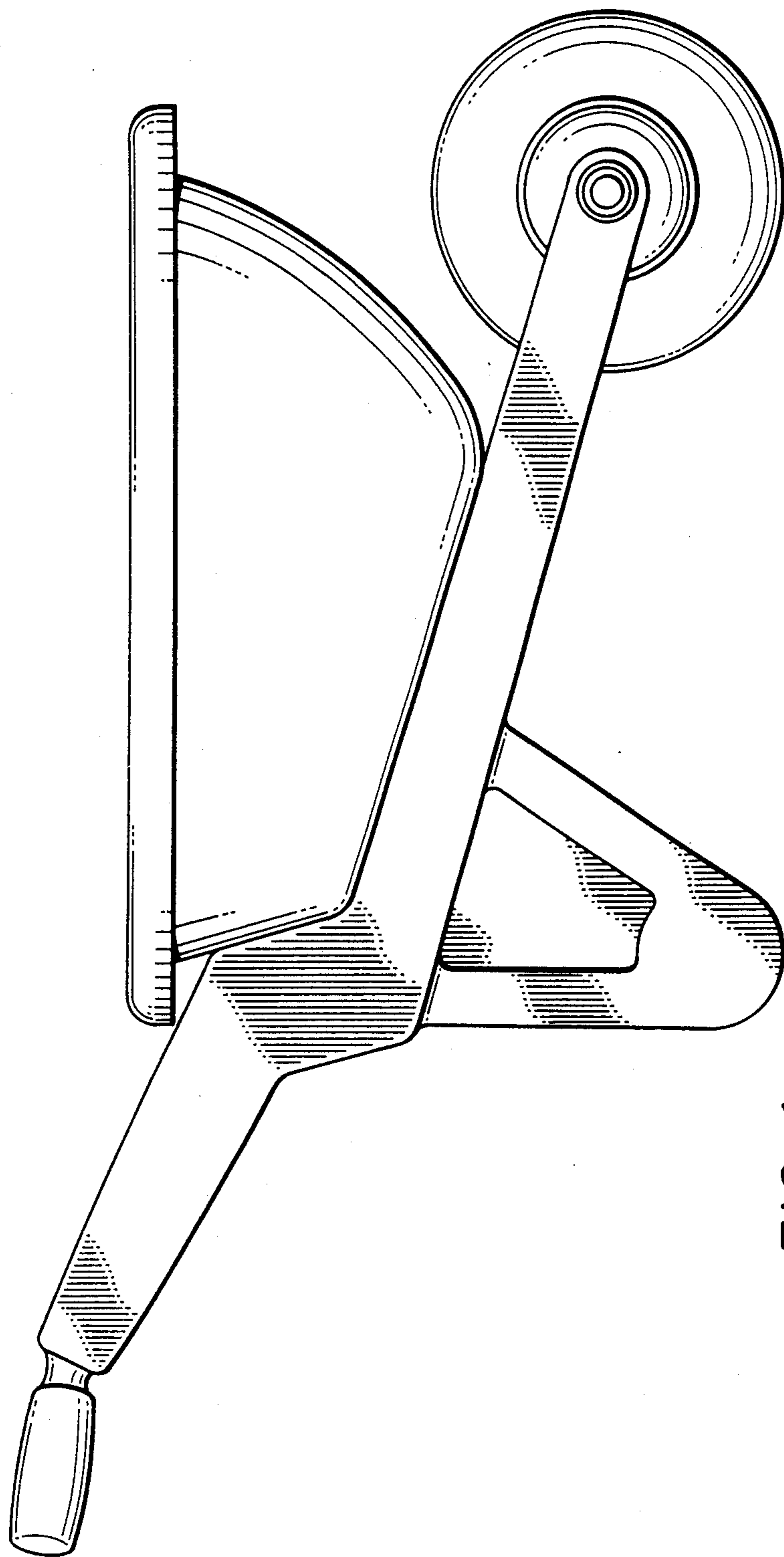


FIG. 1

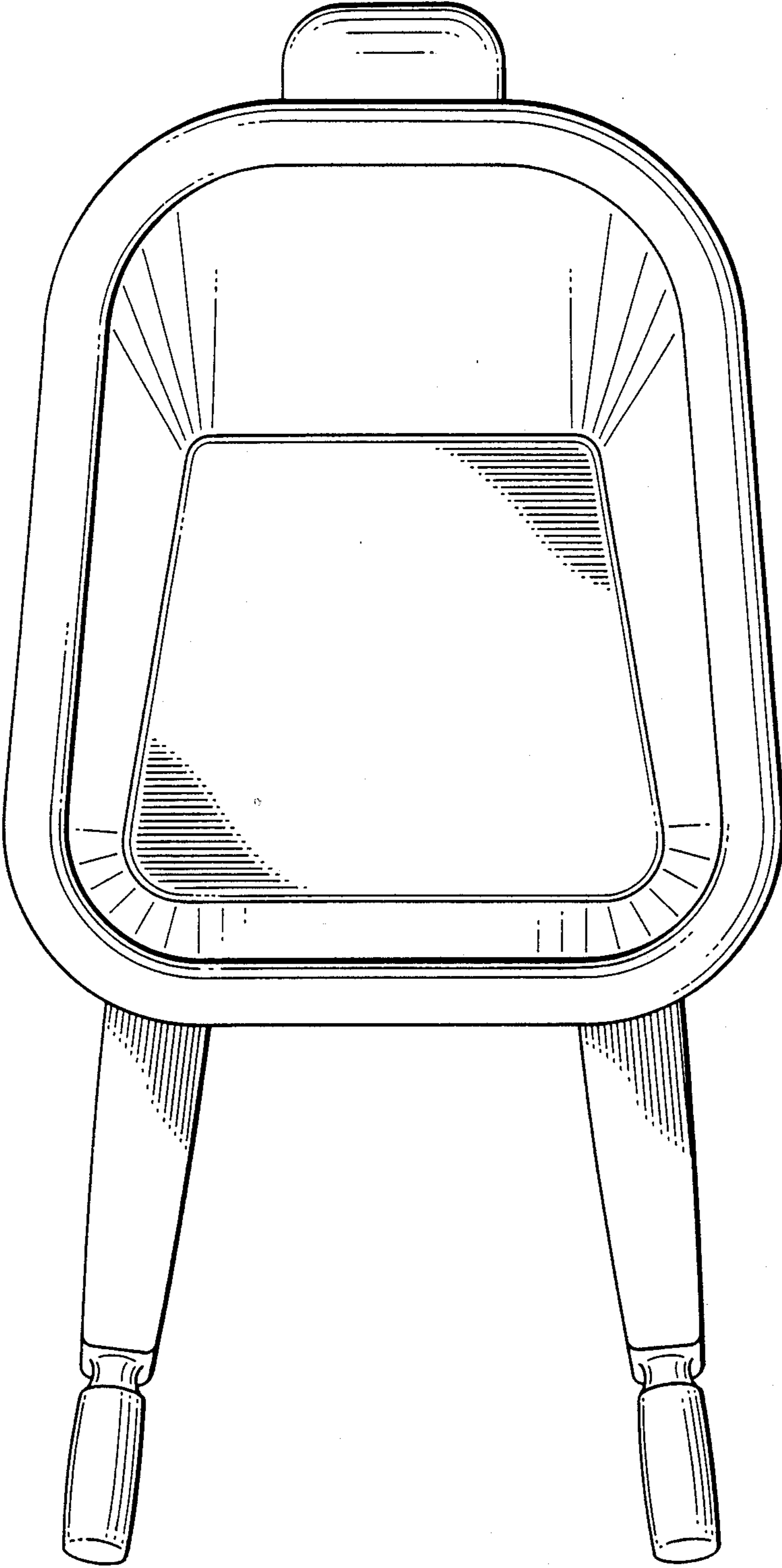


FIG. 2

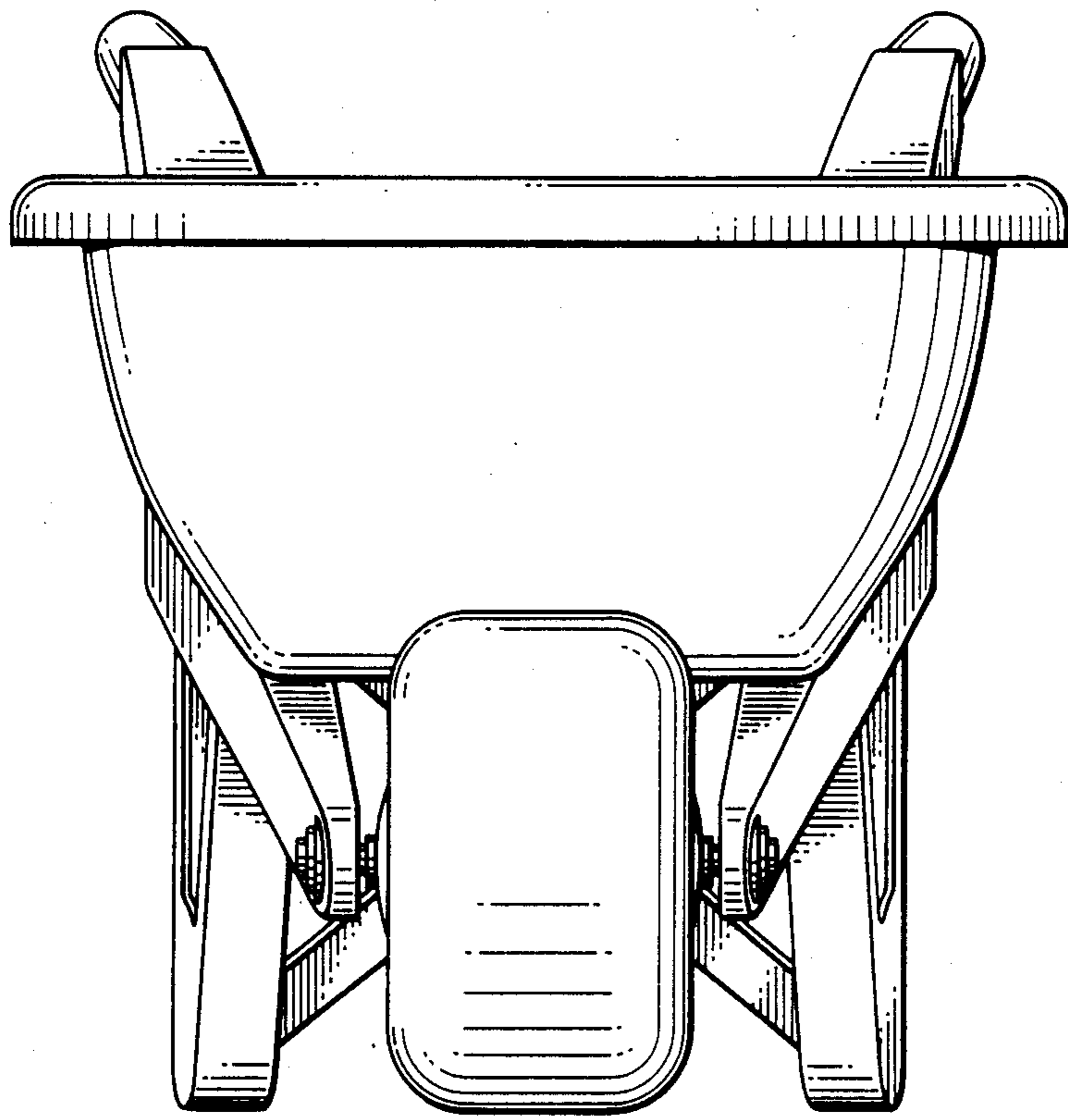


FIG. 3

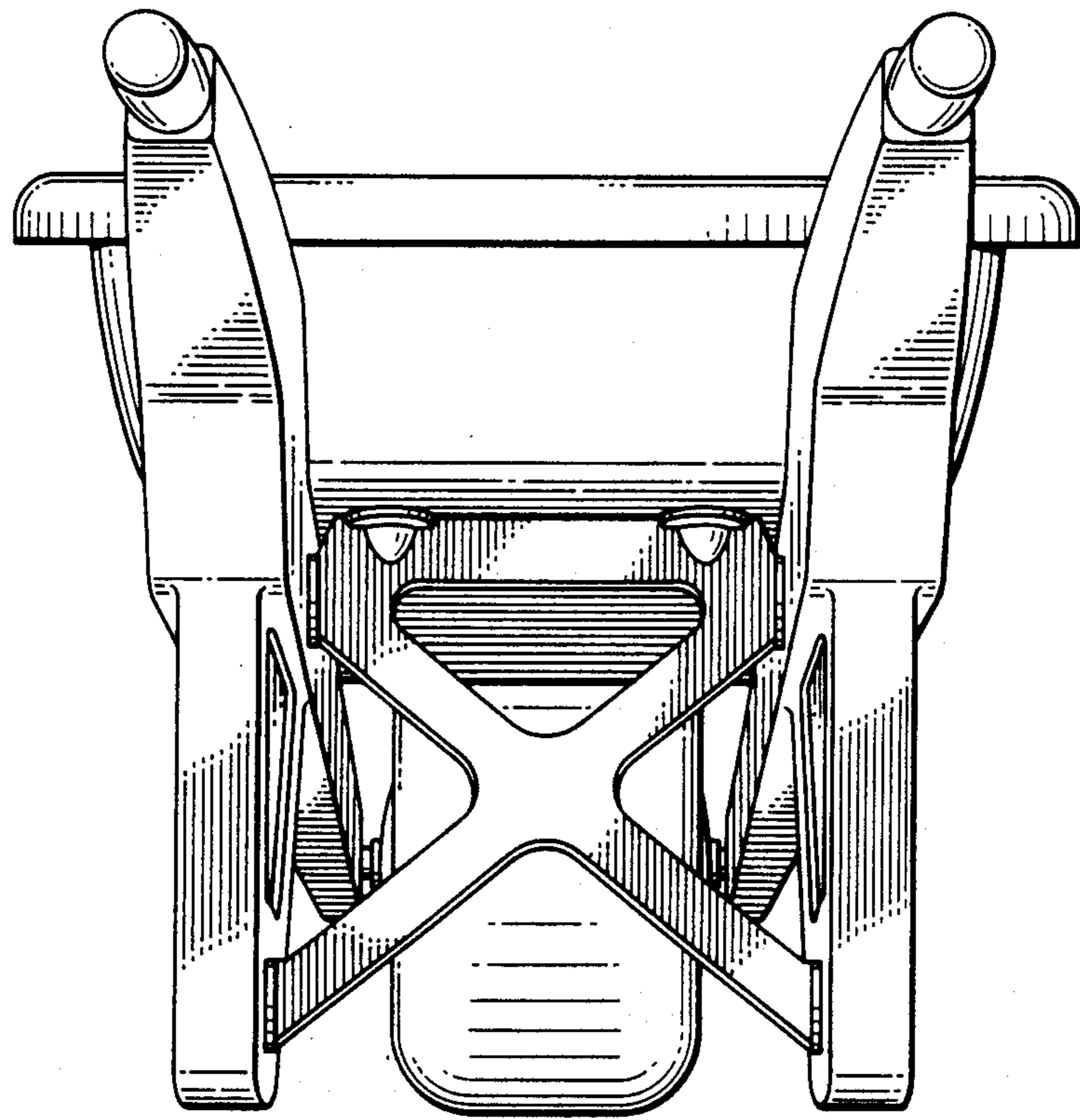


FIG. 4

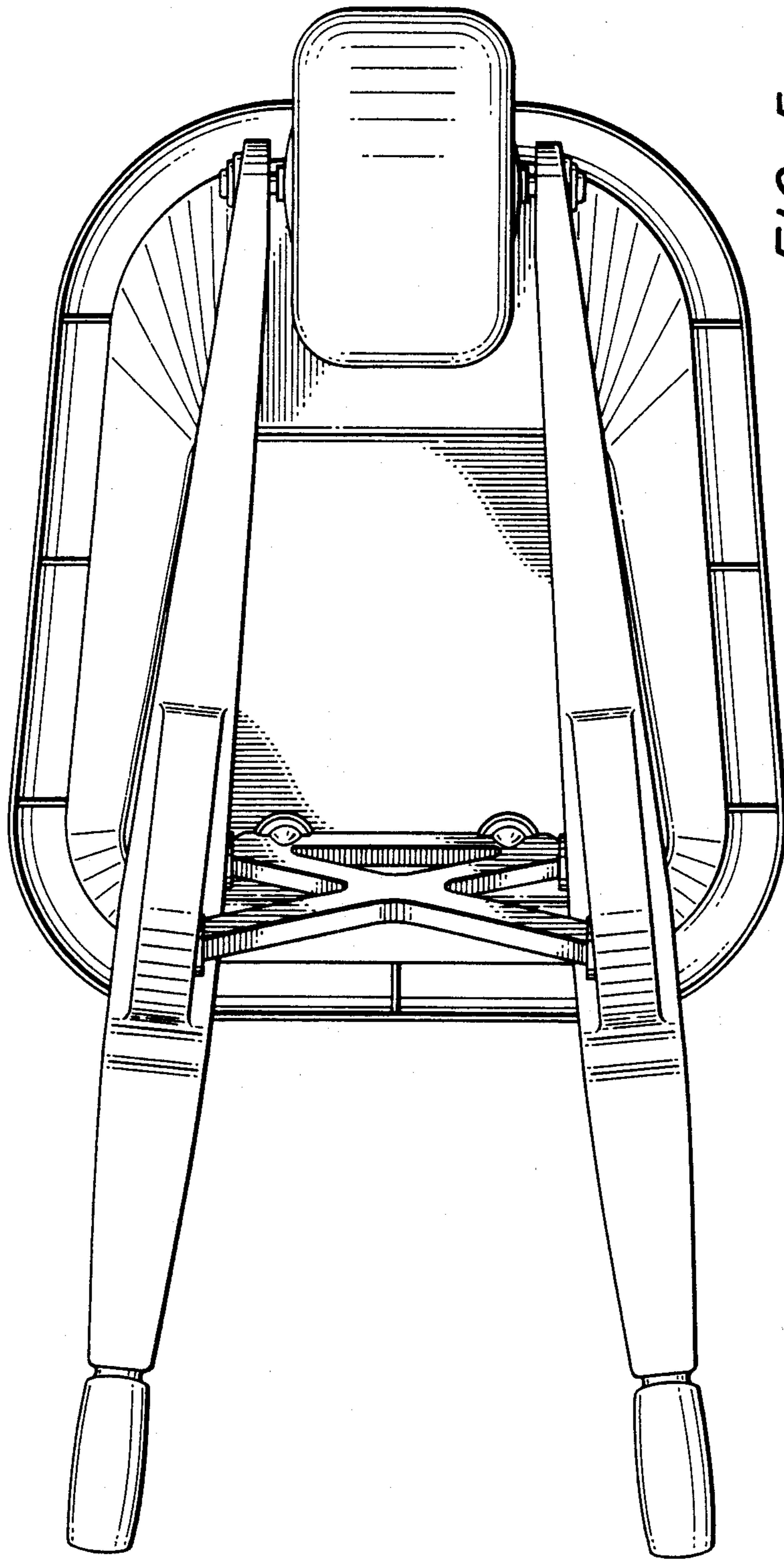


FIG. 5