

[54] JOYSTICK

[75] Inventor: Charles L. Hayes, Carlsbad, Calif.

[73] Assignee: Hayes Technology, San Marcos, Calif.

[**] Term: 14 Years

[21] Appl. No.: 214,656

[22] Filed: Jun. 30, 1988

[52] U.S. Cl. D21/48

[58] Field of Search D21/48, 13; 273/148 B, 273/26 R, 85 G, DIG. 28, DIG. 26; D13/158, 168; D14/114, 189, 204, 155

[56] References Cited

U.S. PATENT DOCUMENTS

- D. 290,719 7/1987 Holloway D21/48
- D. 303,405 9/1989 Kim D21/48

- 4,349,708 9/1982 Asher 273/148 B X
- 4,469,330 9/1984 Asher 273/85 G X
- 4,558,609 12/1985 Kim 273/148 B X
- 4,748,441 5/1988 Brzezinski 273/148 B X

Primary Examiner—Bernard Ansher
Assistant Examiner—Prabhakar Deshmukh
Attorney, Agent, or Firm—Price, Gess & Ubell

[57] CLAIM

The ornamental design for a joystick, as shown.

DESCRIPTION

FIG. 1 is a perspective view of a joystick showing my new design;
FIG. 2 is a front elevational view thereof;
FIG. 3 is a right side elevational view thereof;
FIG. 4 is a left side elevational view thereof;
FIG. 5 is a rear elevational view thereof;
FIG. 6 is a top plan view thereof; and
FIG. 7 is a bottom plan view thereof.

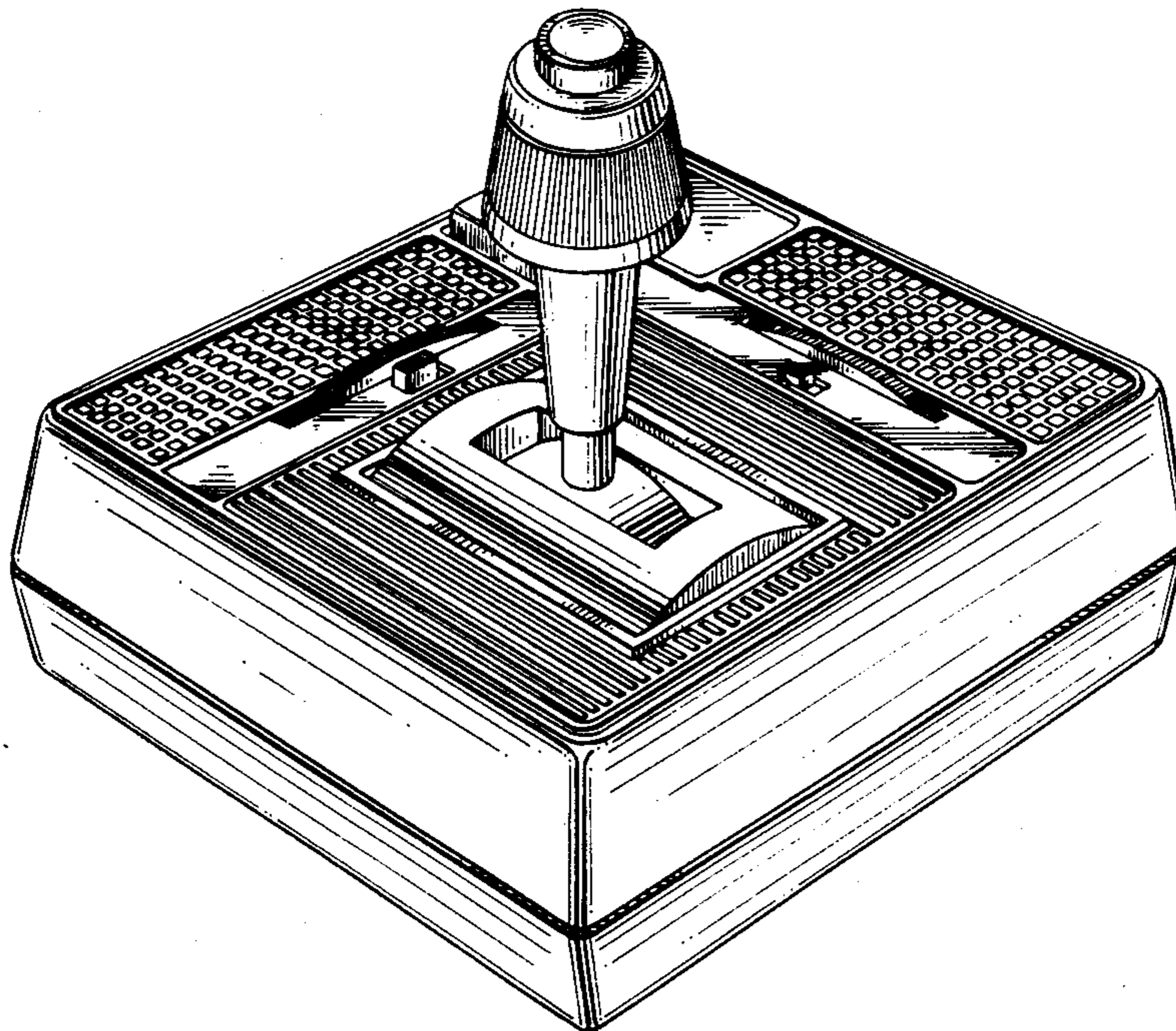


FIG. 1

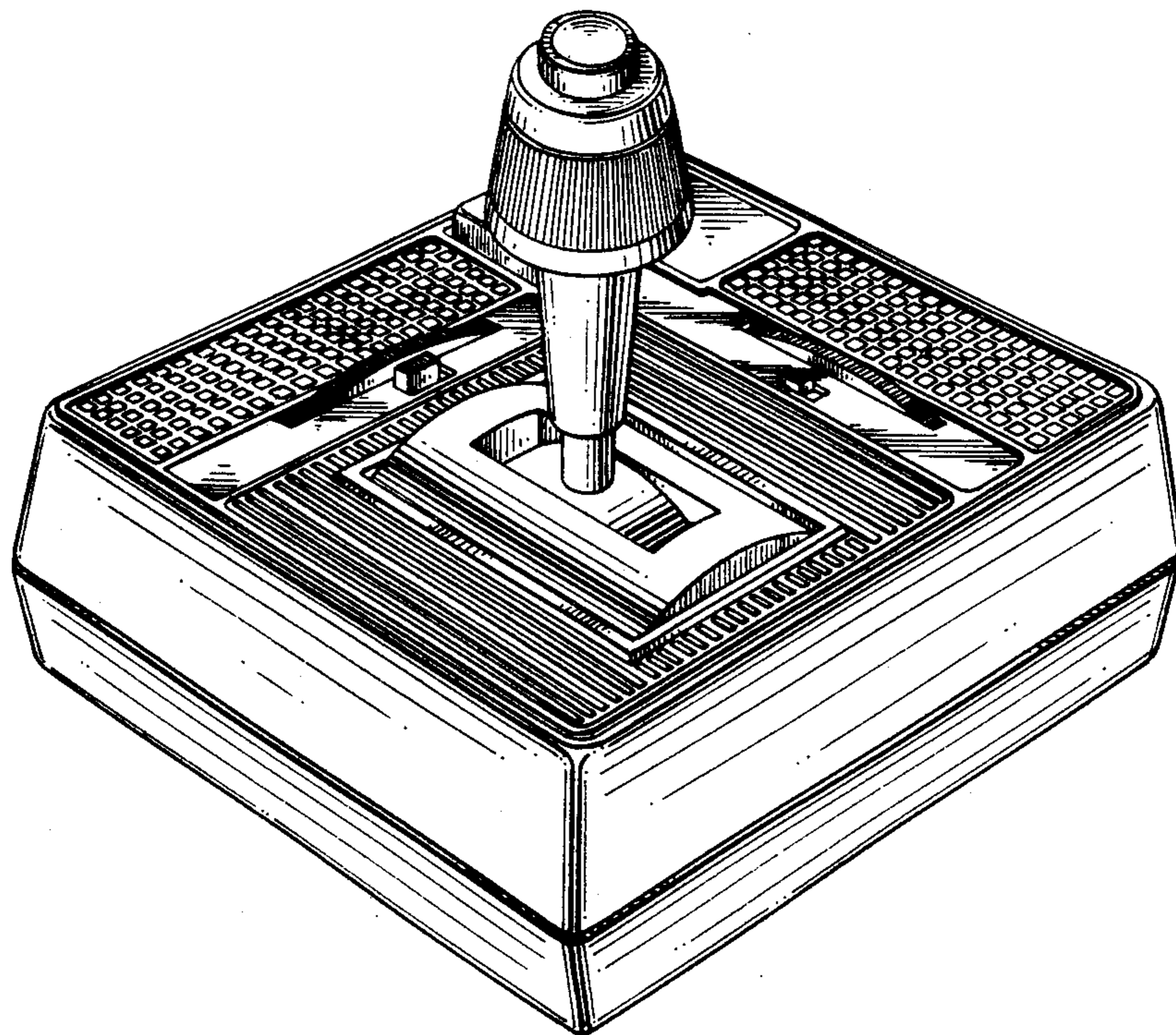
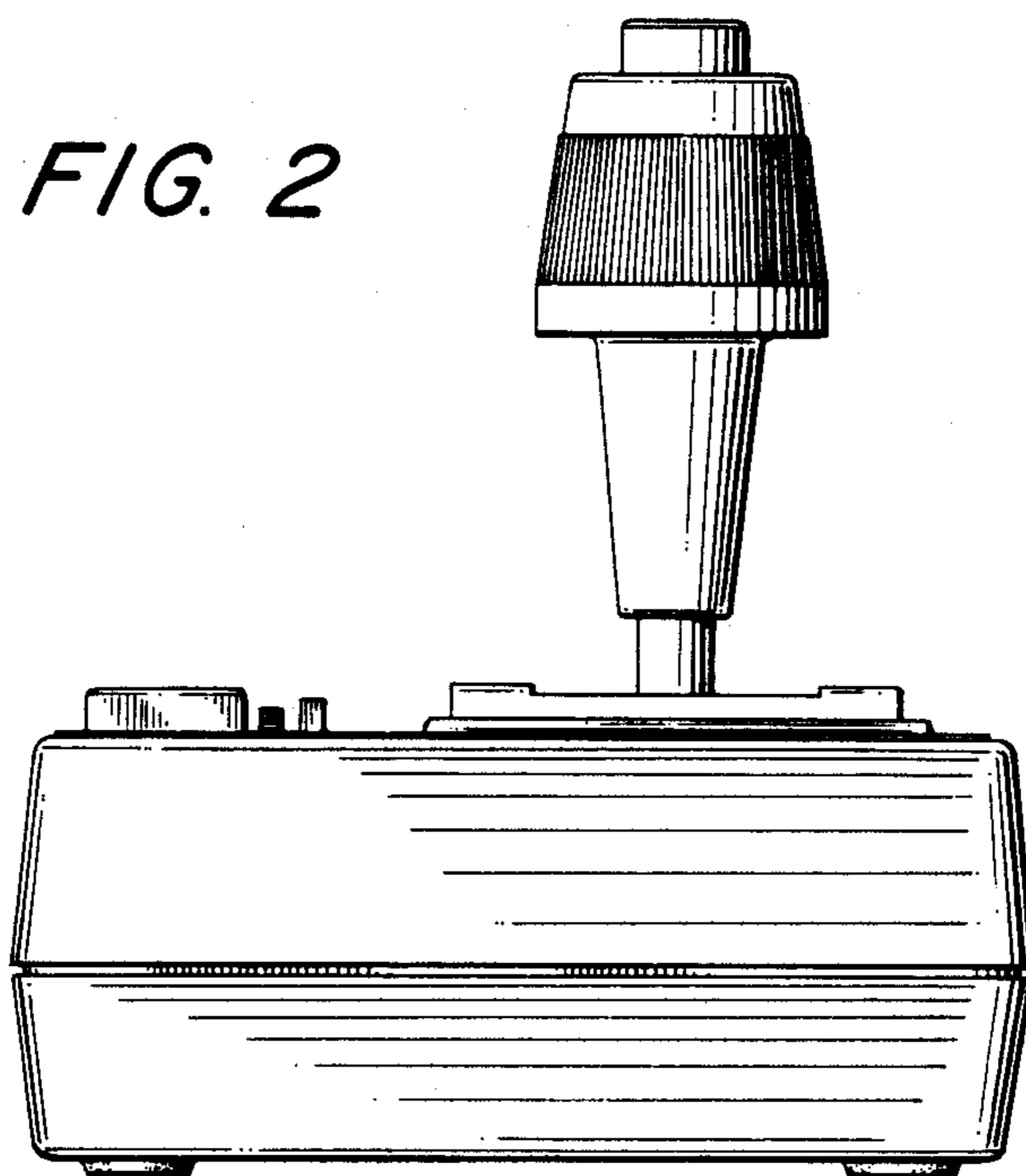


FIG. 2



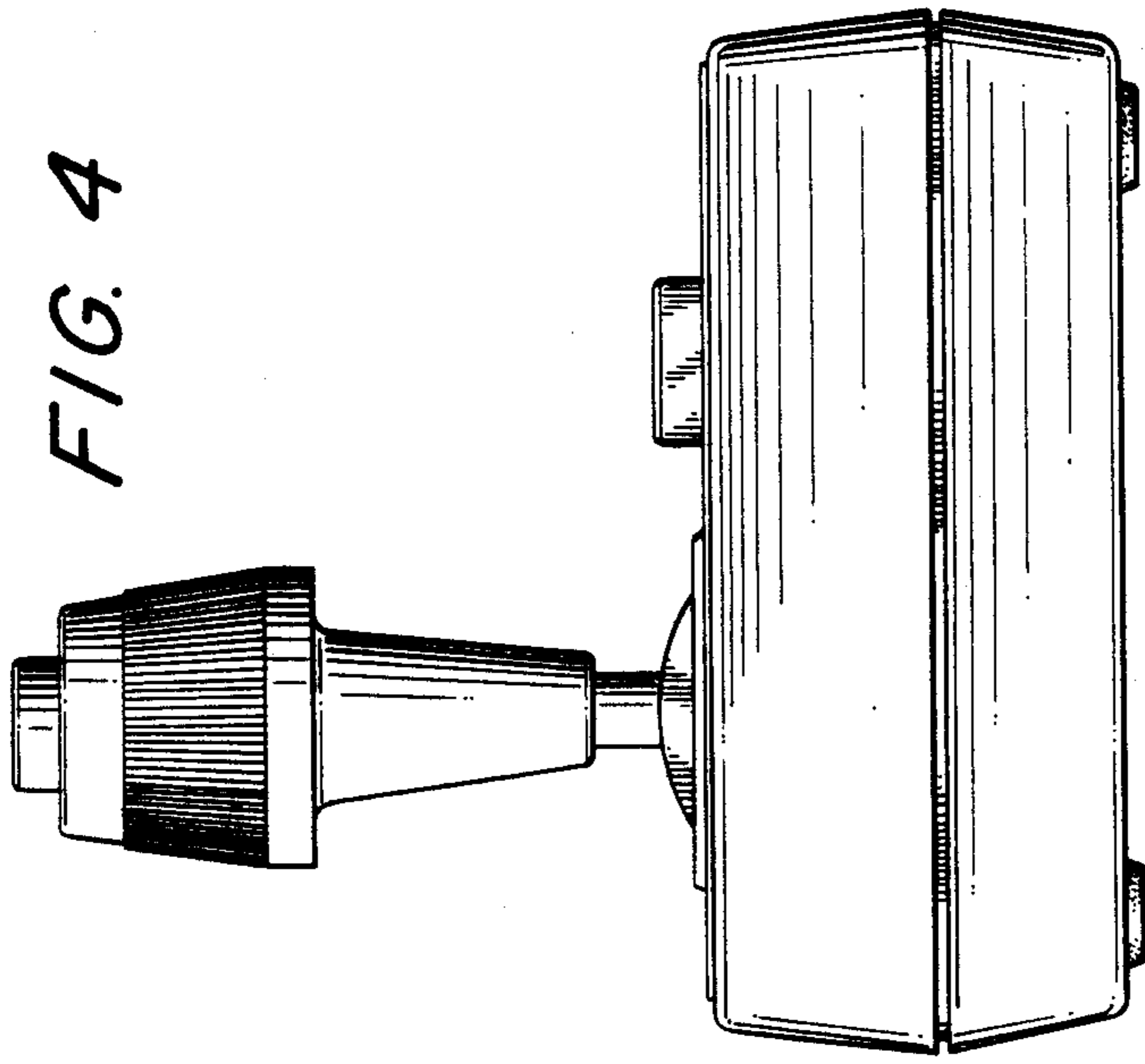


FIG. 5

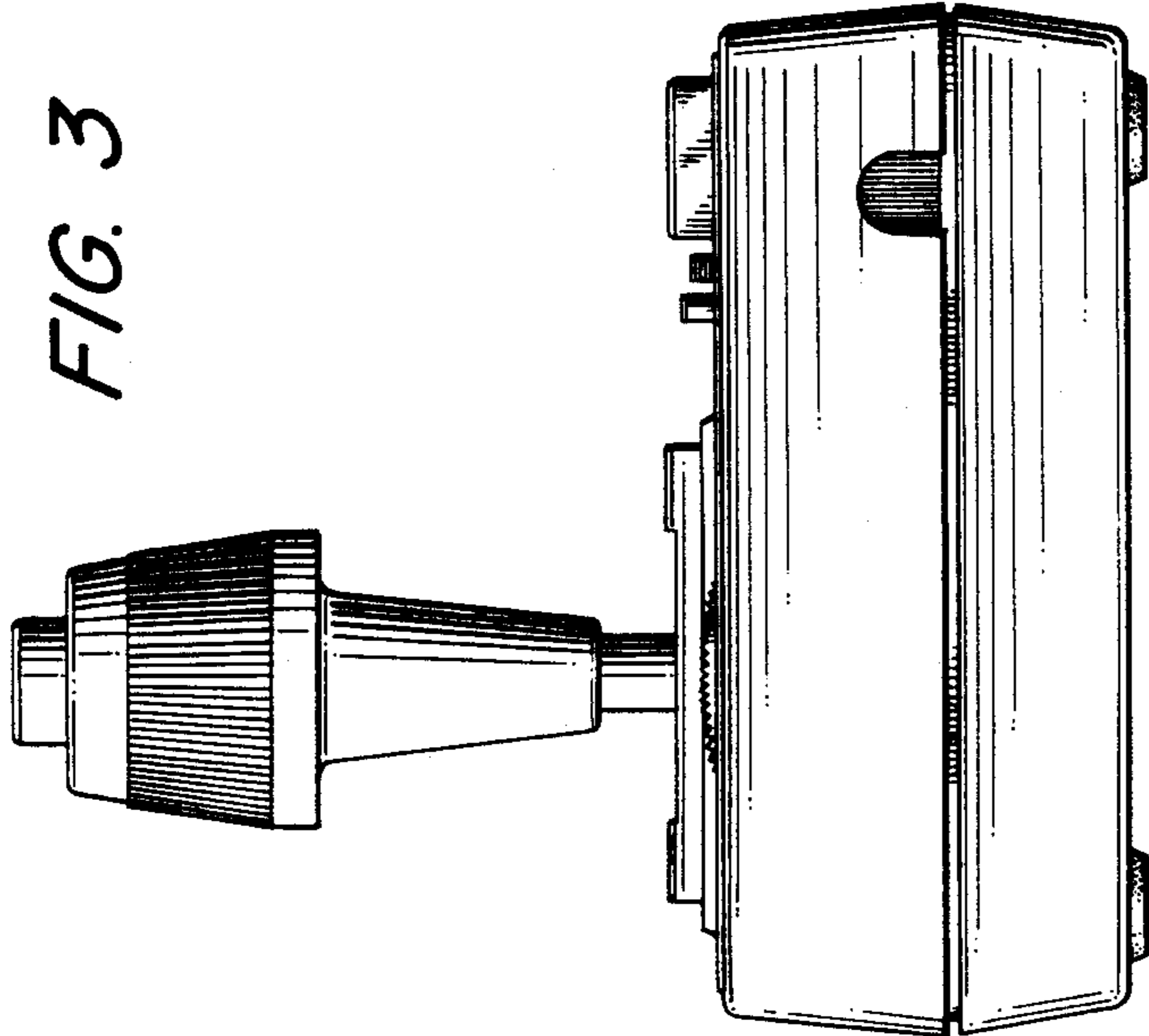
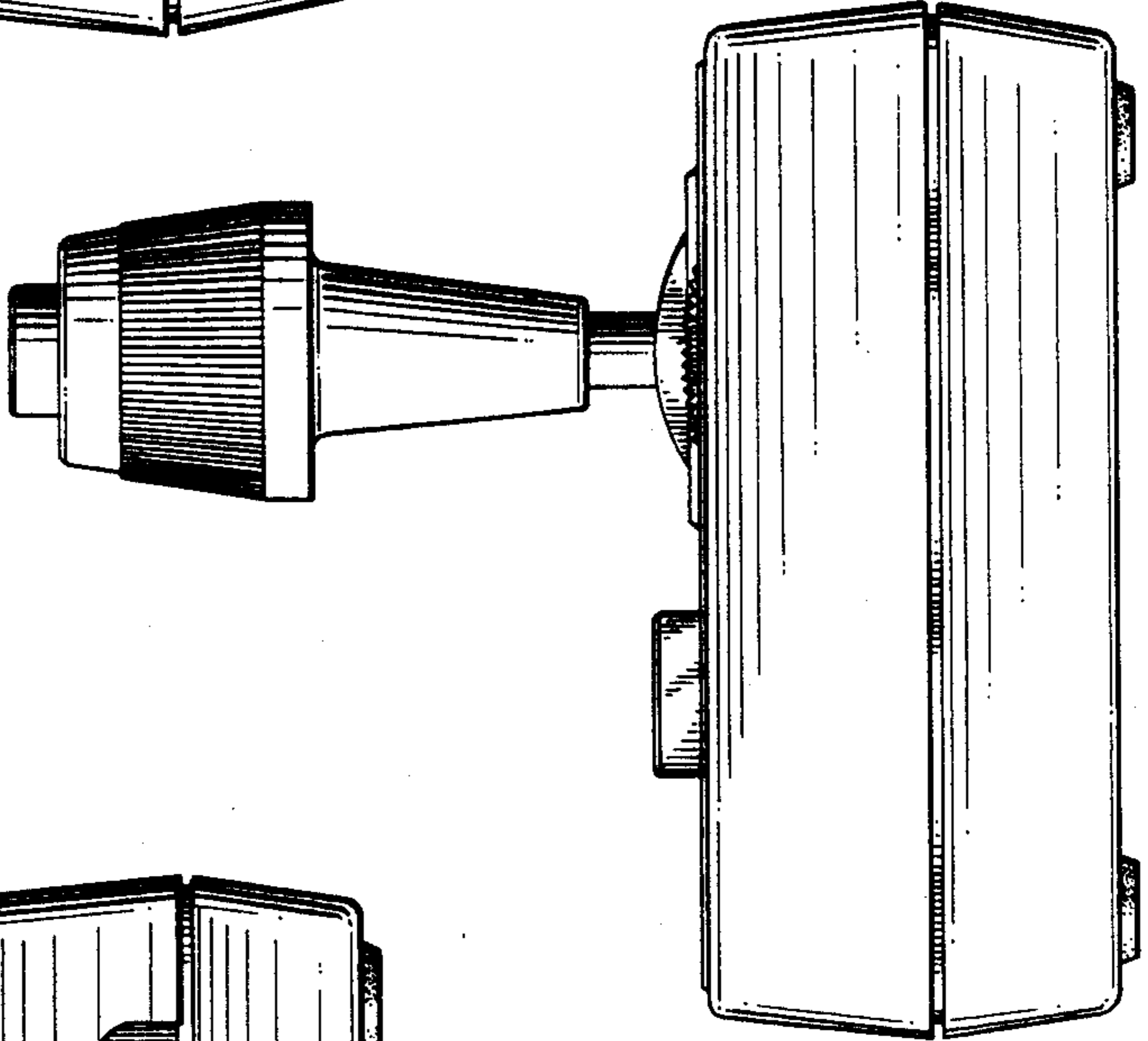


FIG. 6

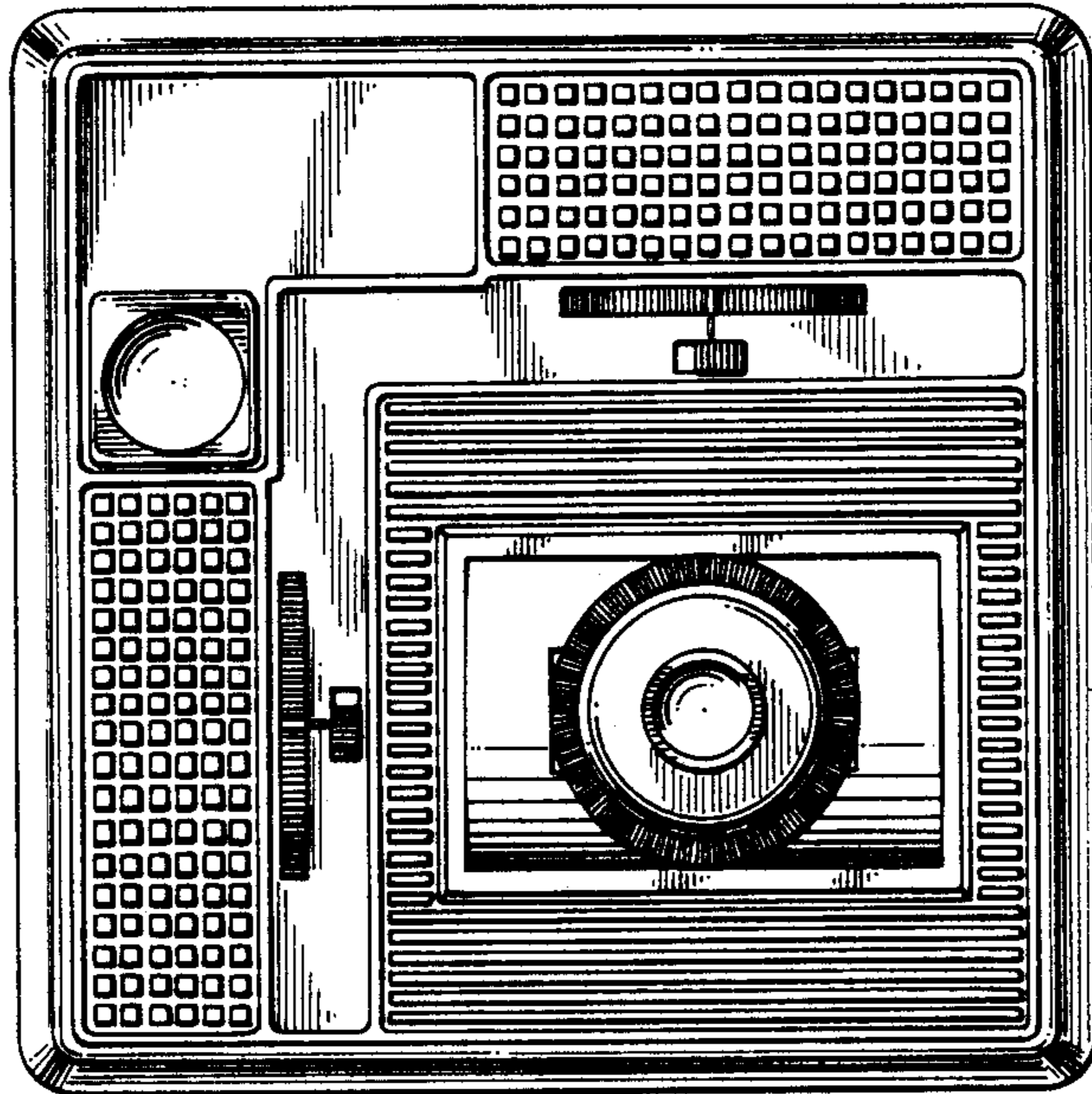


FIG. 7

