

[54] COMBINED ERASER AND BRUSH

D. 208,282 8/1967 Speers ..... D19/53  
D. 260,532 9/1981 Sakaoka ..... D19/53  
578,289 3/1897 Ekholm ..... D19/53 X

[75] Inventor: Shintaro Tsuji, Tokyo, Japan

[73] Assignee: Sanrio Company, Ltd., Tokyo, Japan

Primary Examiner—Bruce W. Dunkins  
Assistant Examiner—Martha Thompson  
Attorney, Agent, or Firm—Owen, Wickersham & Erickson

[\*\*] Term: 14 Years

[21] Appl. No.: 39,594

[22] Filed: Apr. 16, 1987

[57] CLAIM

The ornamental design for a combined eraser and brush, as shown and described.

[30] Foreign Application Priority Data

Oct. 18, 1986 [JP] Japan ..... 61-041135  
[52] U.S. Cl. .... D19/53; D19/36  
[58] Field of Search ..... D19/53, 58; 15/105.51, 15/105.52

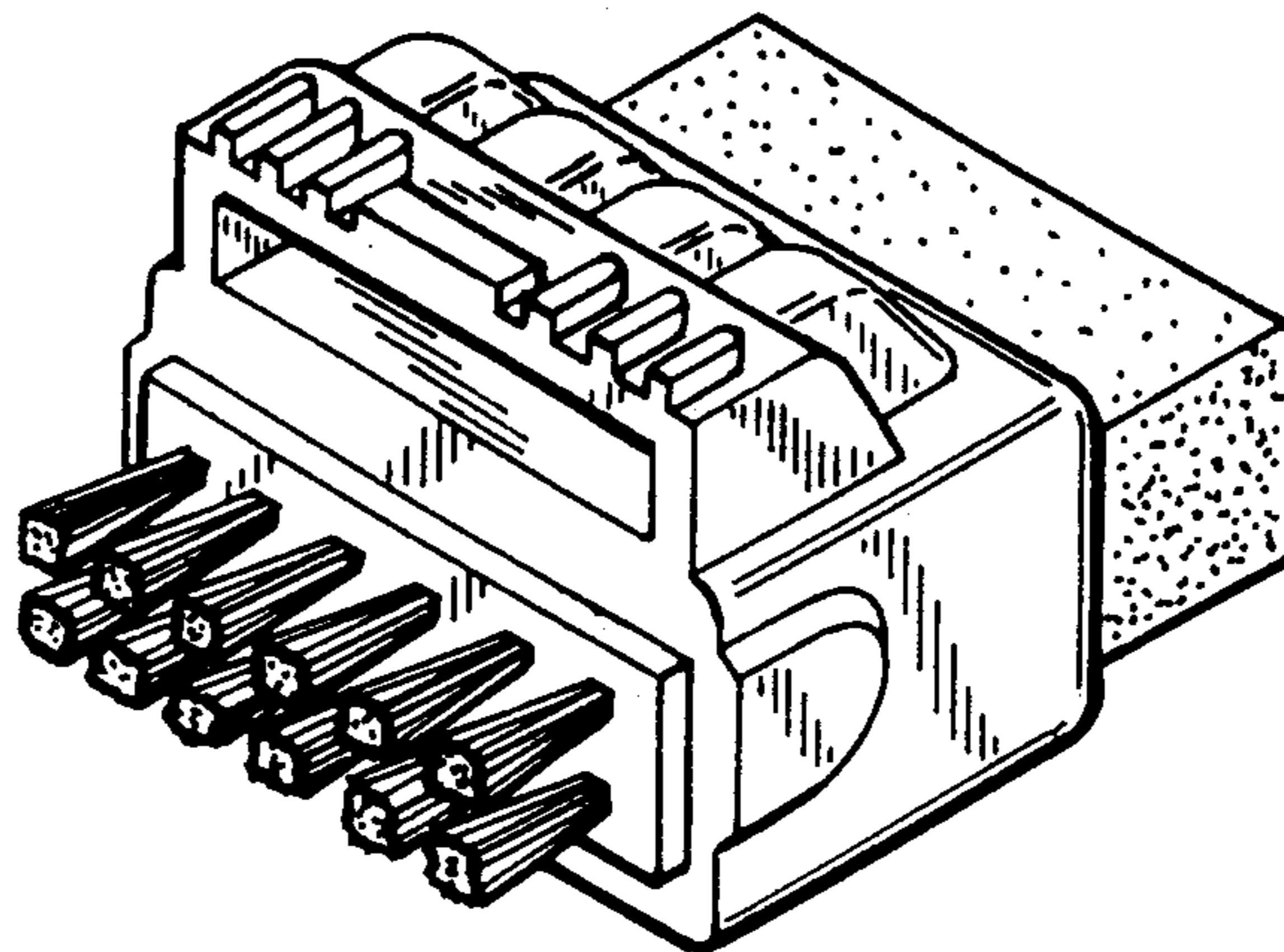
DESCRIPTION

FIG. 1 is a perspective view of a combined eraser and brush showing my new design;  
FIG. 2 is a side elevational view, the opposite side being a mirror image thereof;  
FIG. 3 is a top plan view;  
FIG. 4 is a bottom plan view;  
FIG. 5 is an end elevational view taken from the left end thereof; and  
FIG. 6 is an end elevational view taken from the right end thereof.

[56] References Cited

U.S. PATENT DOCUMENTS

D. 137,706 4/1944 Estes ..... D19/53  
D. 141,531 6/1945 Williams ..... D19/53  
D. 160,984 11/1950 Wild ..... D19/53  
D. 168,750 2/1953 Meyer ..... D19/53



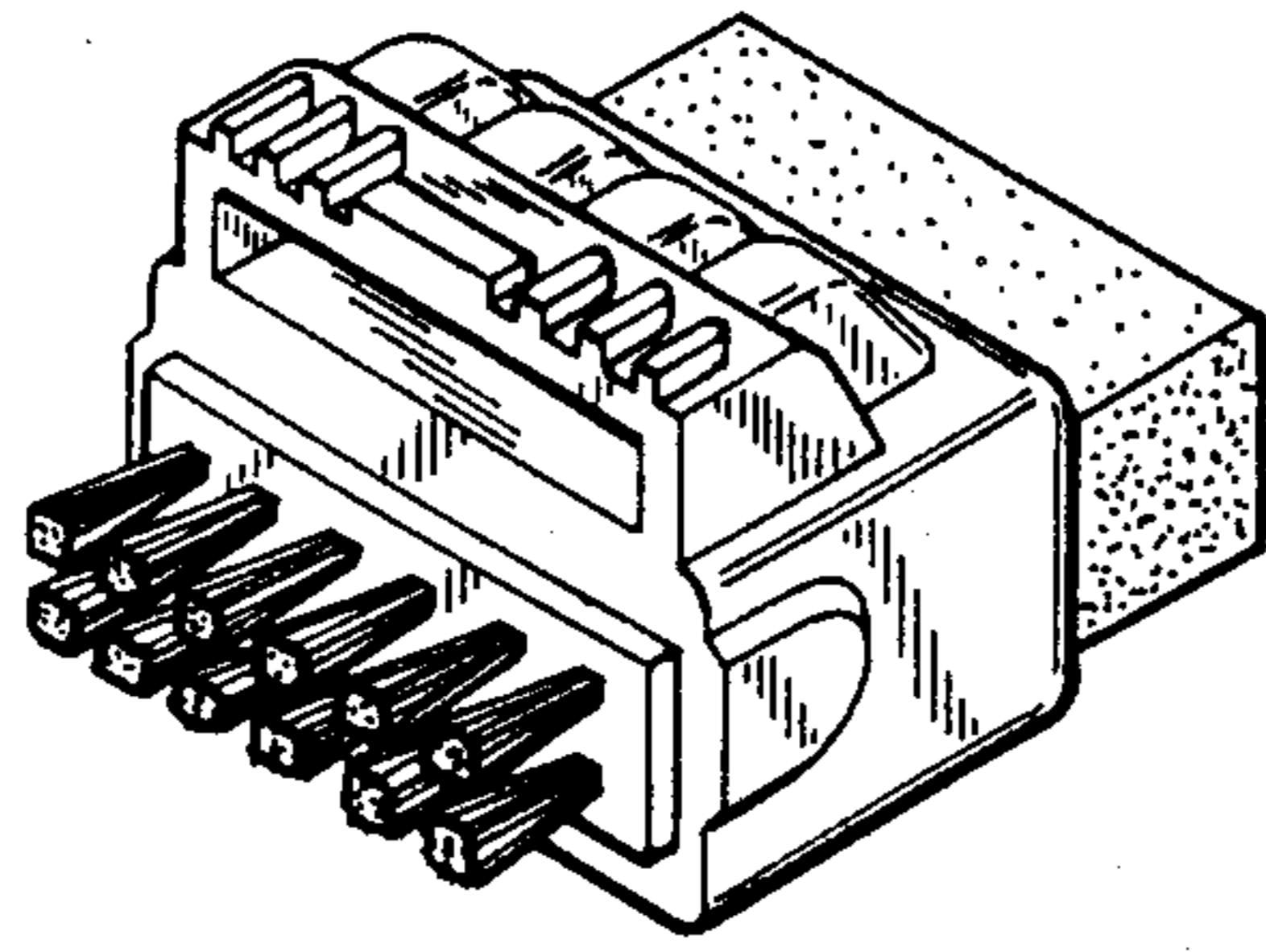


FIG.\_1

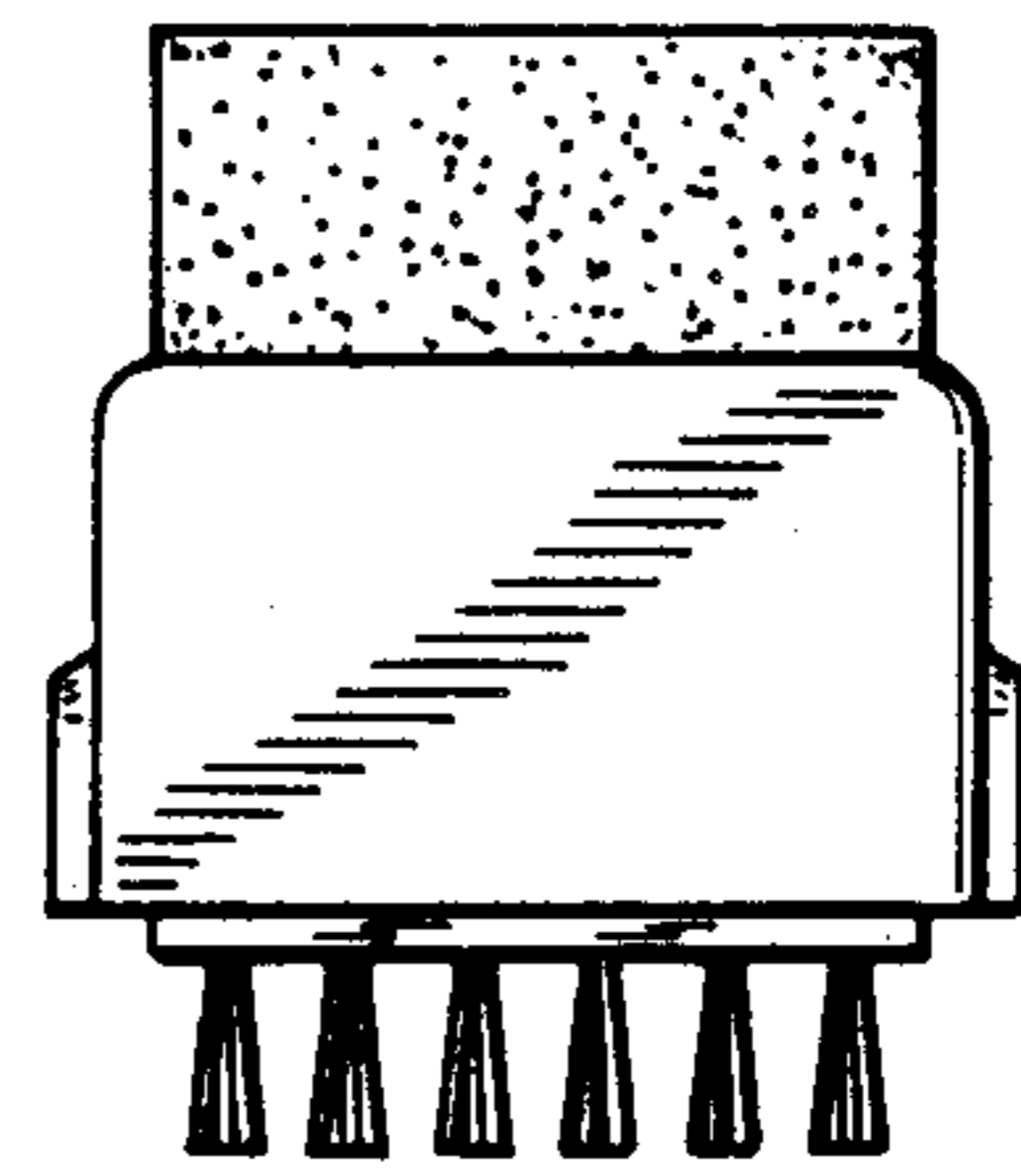


FIG.\_4

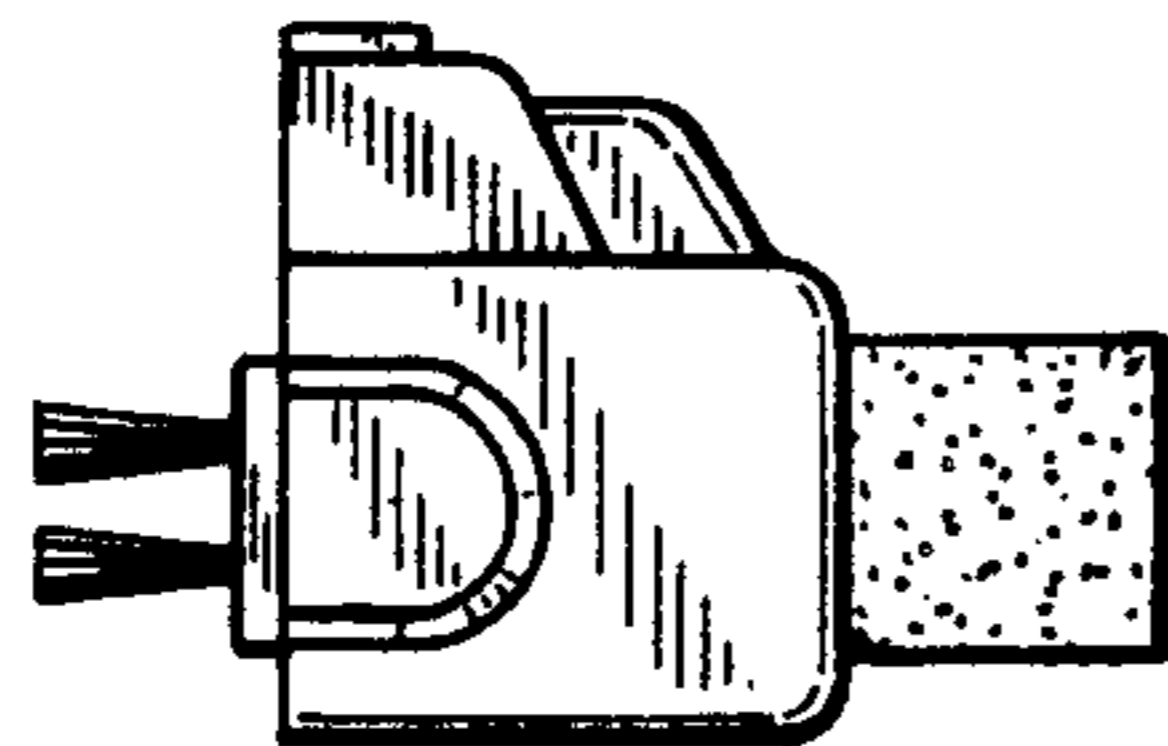


FIG.\_2

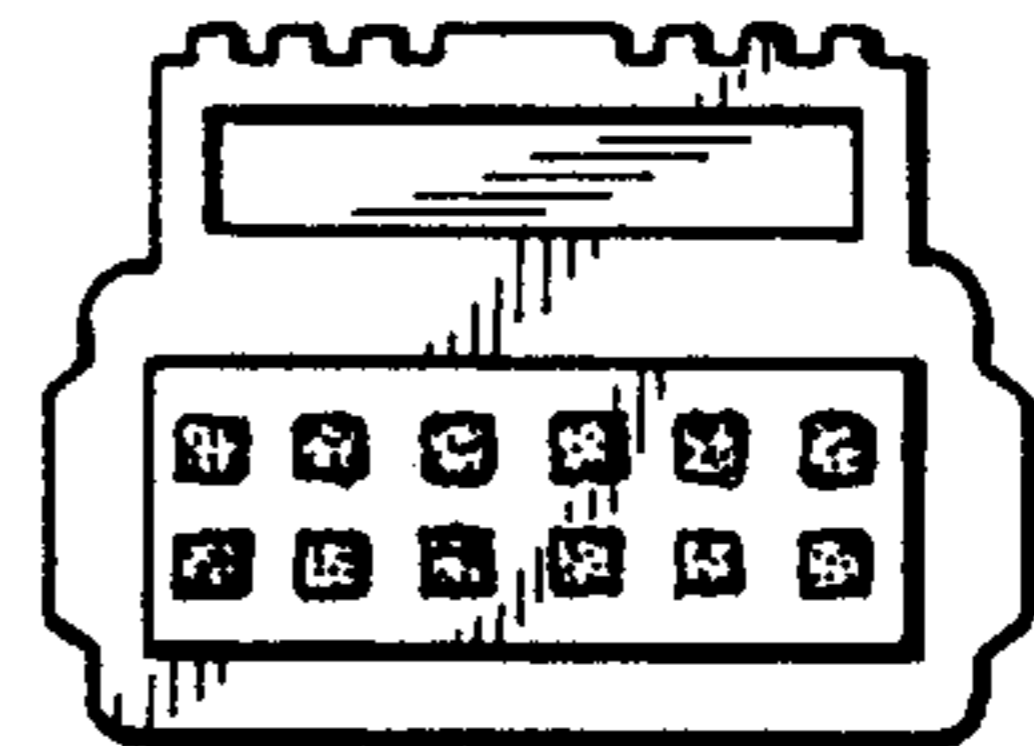


FIG.\_5

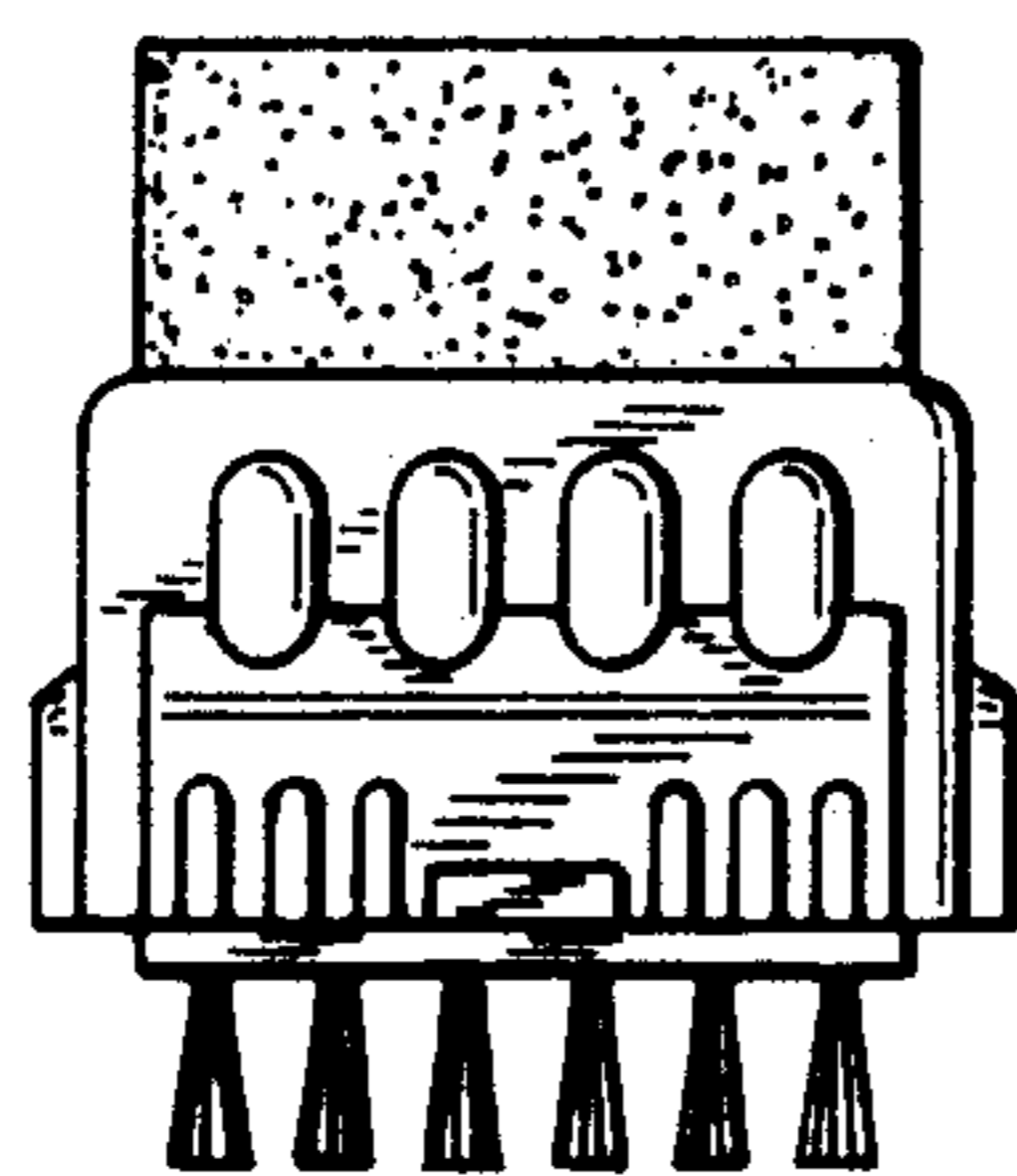


FIG.\_3

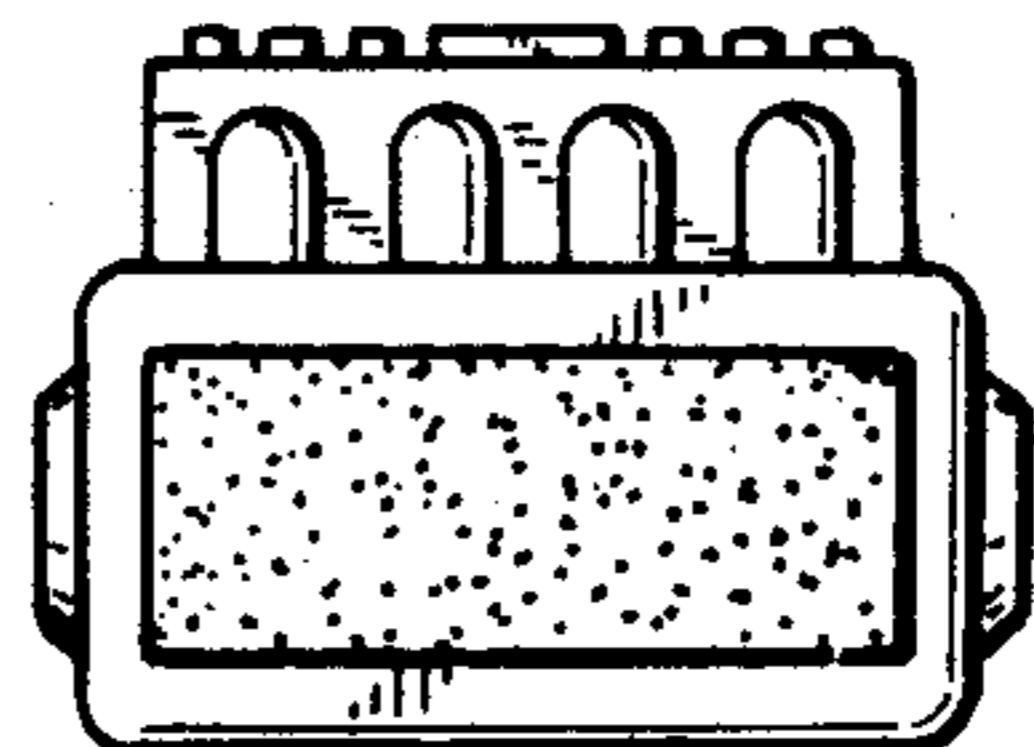


FIG.\_6