

United States Patent [19]

Bellini

[11] Patent Number: Des. 313,242

[45] Date of Patent: ** Dec. 25, 1990

[54] **ELECTRONIC TYPEWRITER**

[75] Inventor: **Mario Bellini, Milan, Italy**

[73] Assignee: **Ing. C. Olivetti & C., S.p.A., Ivrea, Italy**

[*] Notice: The portion of the term of this patent subsequent to Dec. 25, 2004 has been disclaimed.

[**] Term: **14 Years**

[21] Appl. No.: **221,637**

[22] Filed: **Jul. 20, 1988**

[30] **Foreign Application Priority Data**

Feb. 22, 1988 [IT] Italy 52909/88[U]

[52] U.S. Cl. **D18/1**

[58] Field of Search **D18/1, 2, 11;**
400/109-111, 472, 485, 486, 691-694

[56] **References Cited**

U.S. PATENT DOCUMENTS

D. 203,140 12/1965 Cuccio D18/2
D. 267,805 2/1983 Bellini D18/1
D. 271,309 11/1983 Hirano D18/1

D. 272,831 2/1984 Iseki D18/1
D. 278,247 4/1985 Miyamoto D18/1
D. 278,350 4/1985 Bellini D18/1
D. 282,080 1/1986 Bellini D18/1
D. 282,178 1/1986 Kasagi D18/1
D. 289,902 5/1987 Benson D18/1

FOREIGN PATENT DOCUMENTS

0003976 1/1987 Japan 400/690.4
0017061 1/1988 Japan 400/692

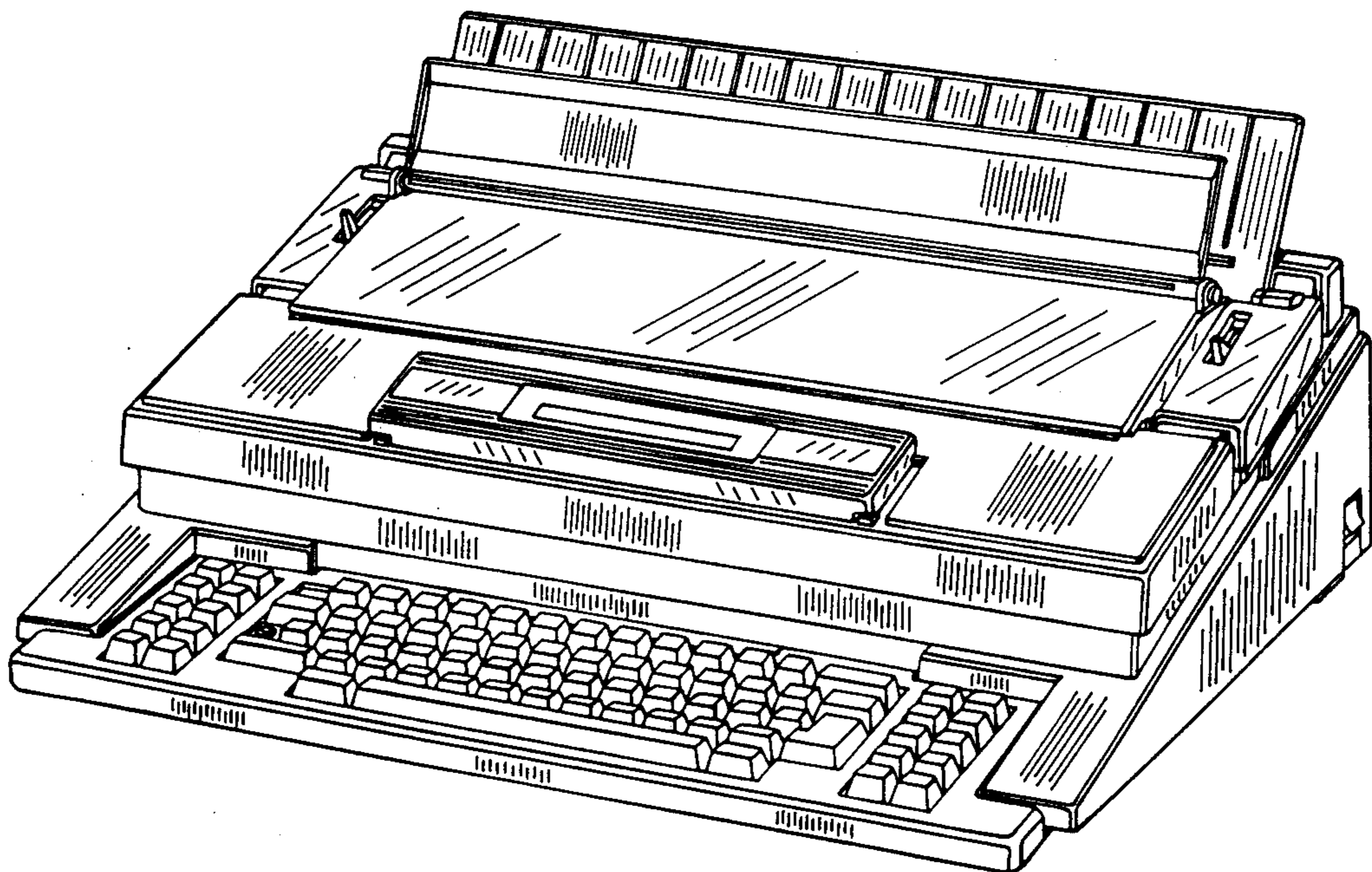
Primary Examiner—Nelson C. Holtje
Assistant Examiner—Caron D. Veynar
Attorney, Agent, or Firm—Banner, Birch, McKie & Beckett

[57] **CLAIM**

The ornamental design for an electronic typewriter, as shown and described.

DESCRIPTION

FIG. 1 is a front and right perspective view of an electronic typewriter showing my new design;
FIG. 2 is a rear and left perspective view thereof;
FIG. 3 is a right side elevational view thereof;
FIG. 4 is a top plan view thereof; and
FIG. 5 is a bottom plan view thereof.



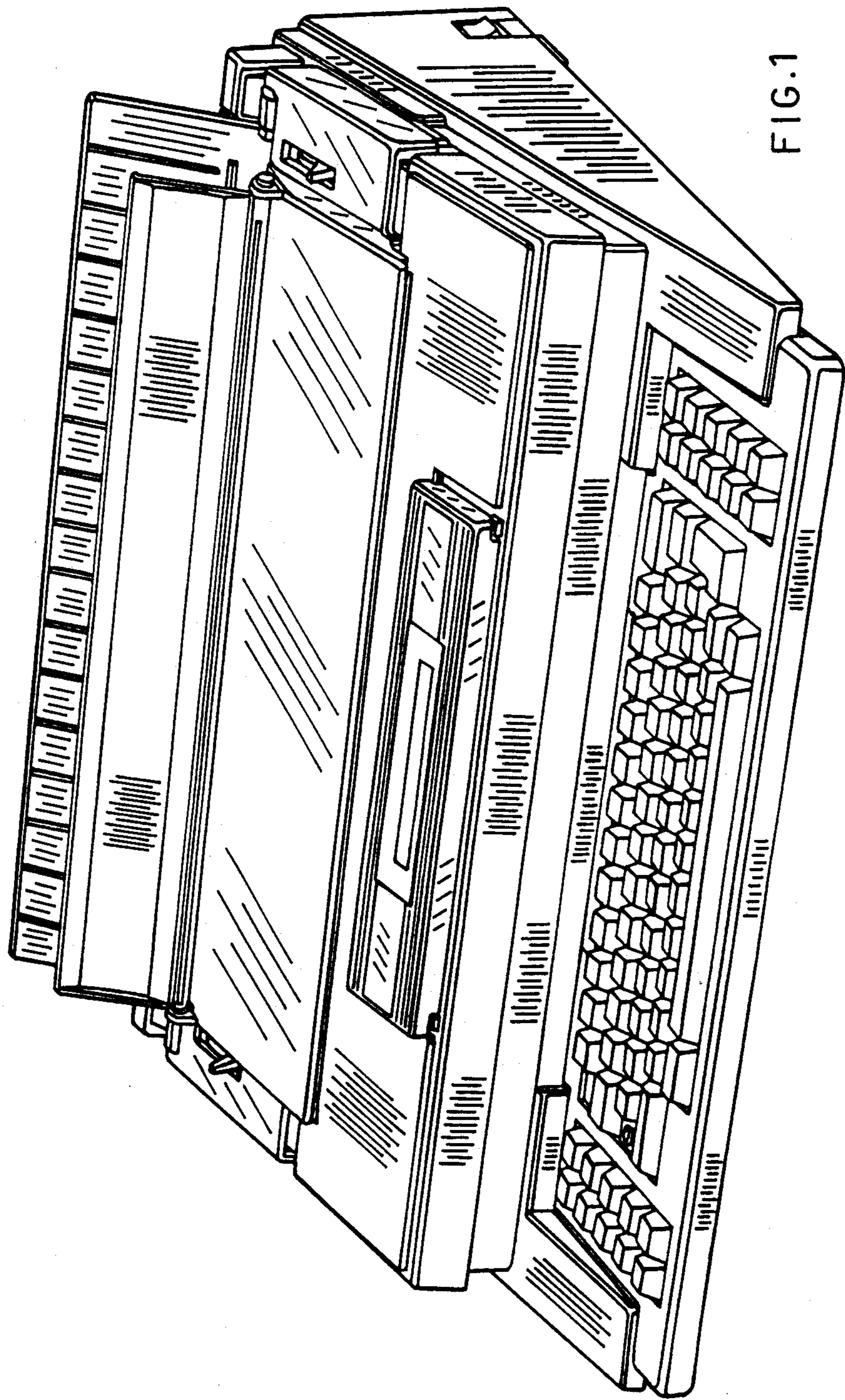


FIG. 1

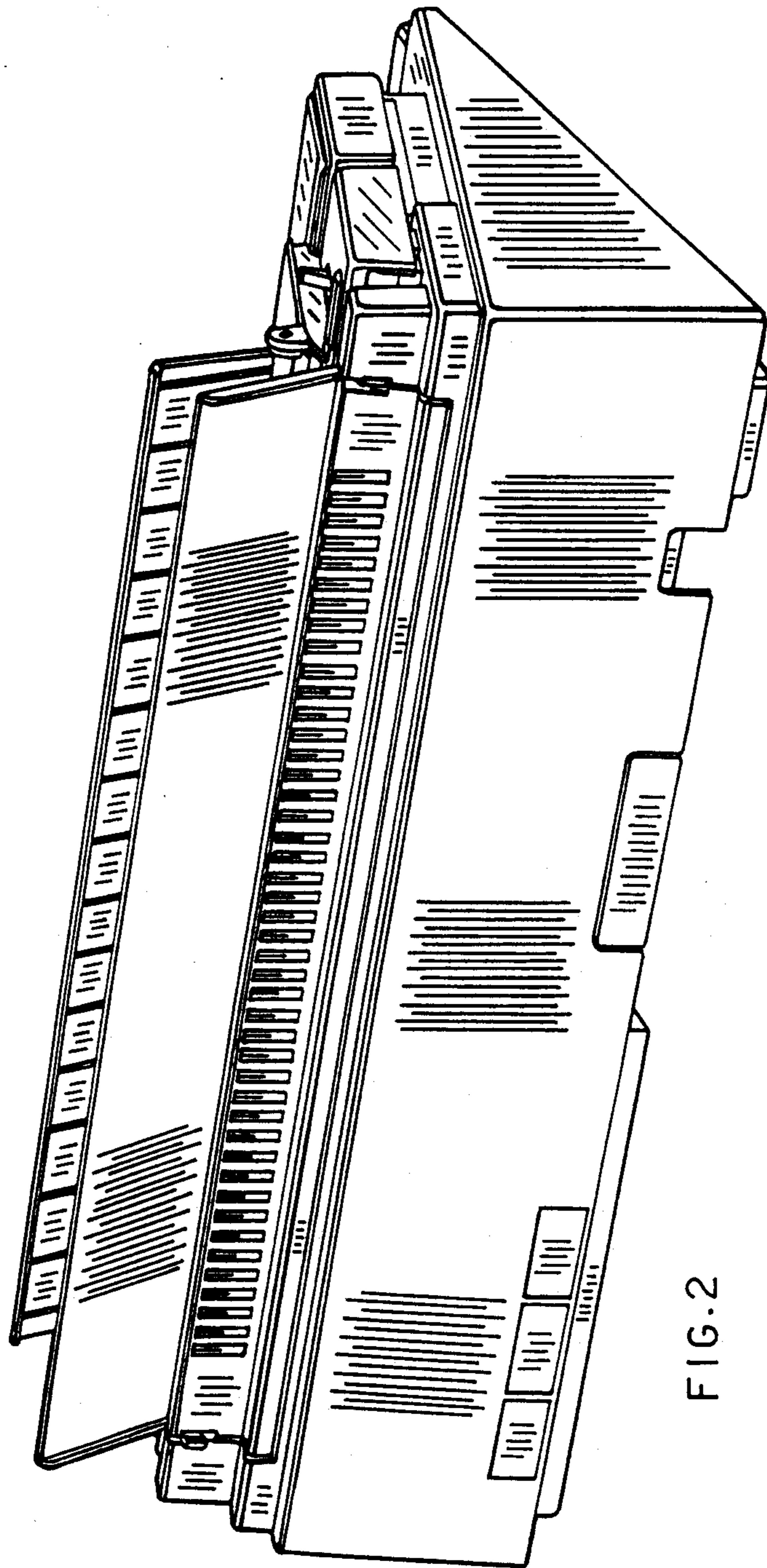


FIG. 2

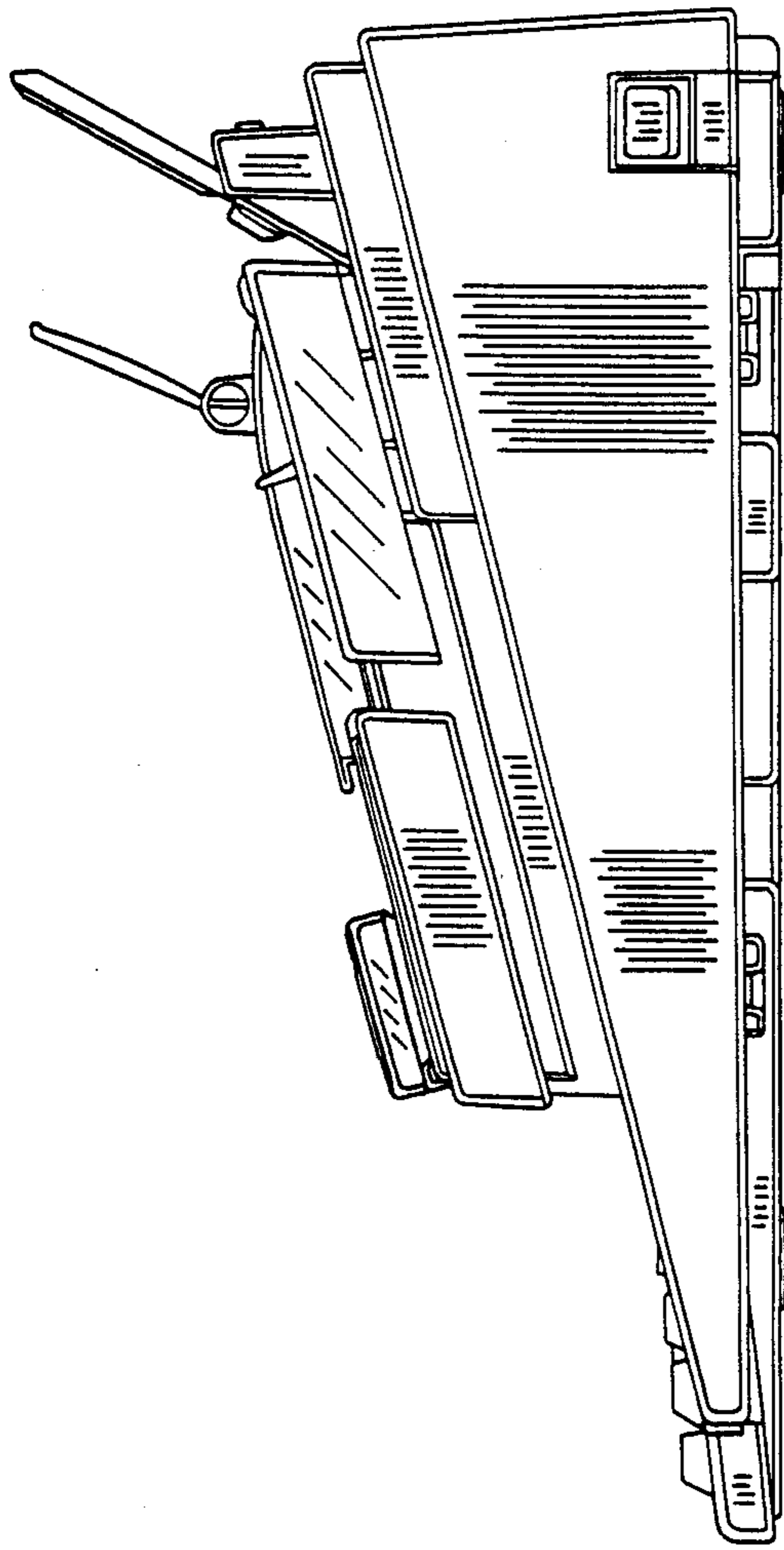


FIG. 3

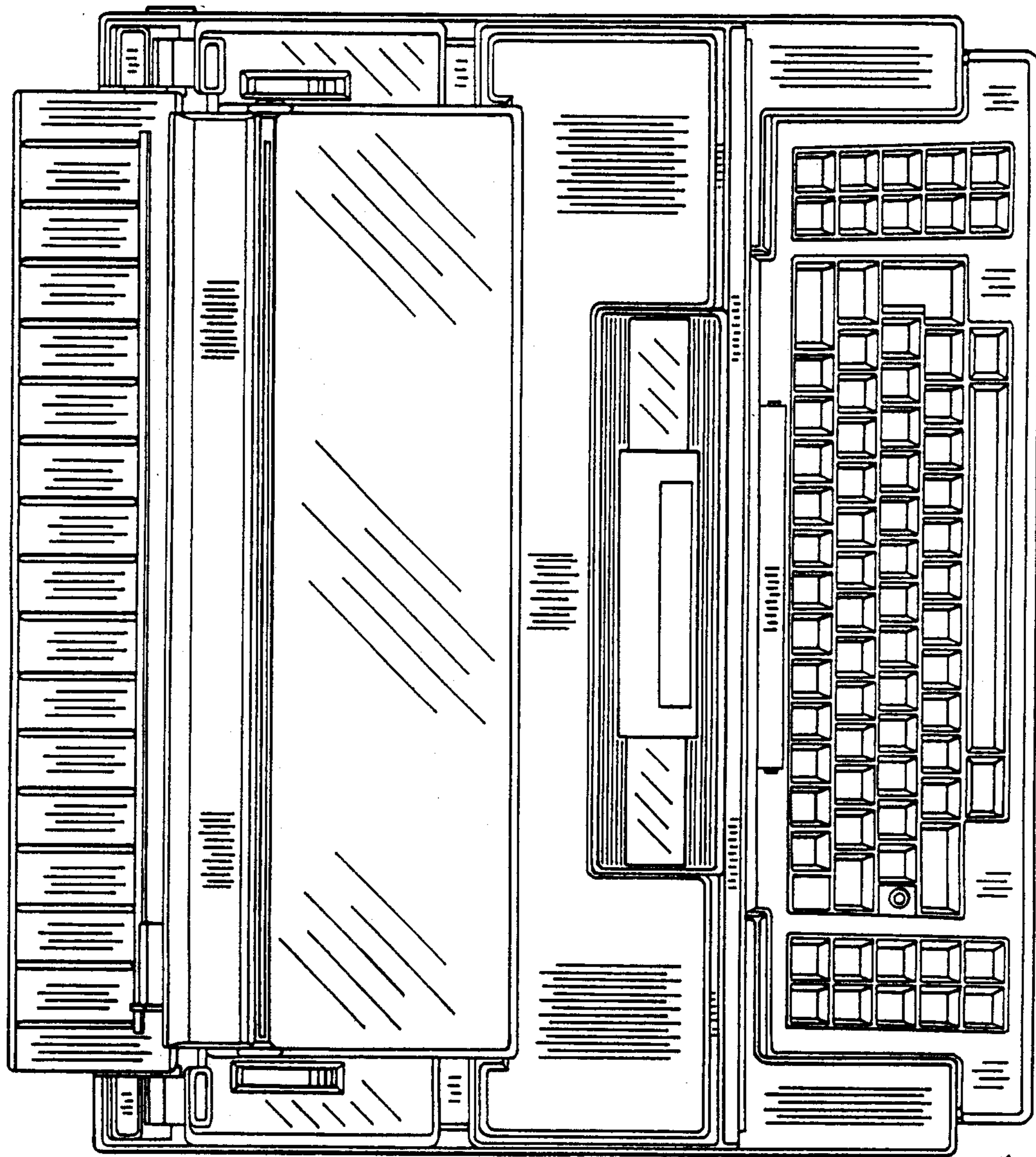


FIG. 4

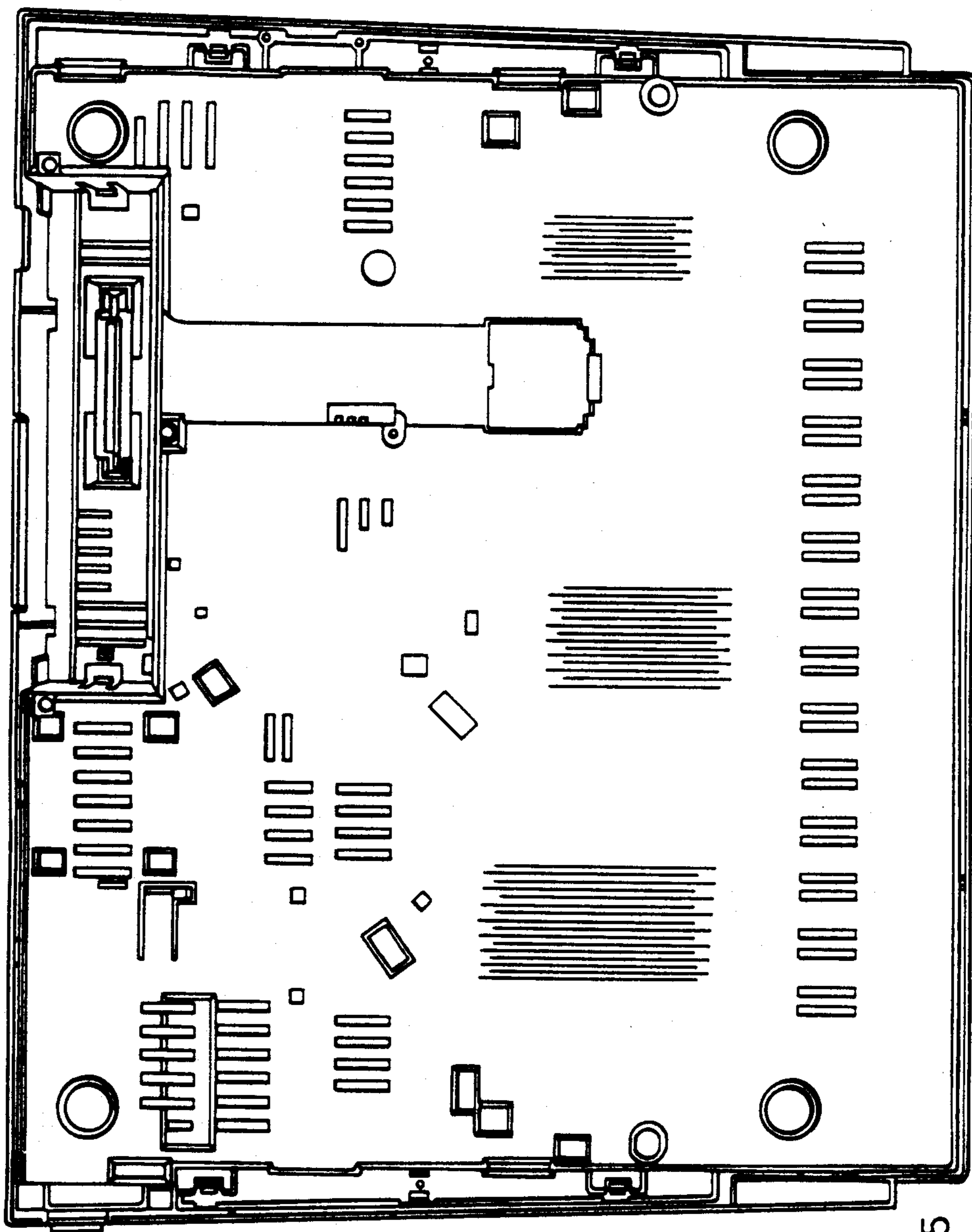


FIG. 5