

[54] COMBINED VIDEO CAMERA RECORDER WITH A STILL CAMERA

[75] Inventors: Hiroshi Fukuda; Masahiro Fukuda, both of Tokyo, Japan

[73] Assignee: Fuji Photo Film Co., Ltd., Kanagawa, Japan

[\*\*] Term: 14 Years

[21] Appl. No.: 186,468

[22] Filed: Apr. 26, 1988

[30] Foreign Application Priority Data

- Oct. 26, 1987 [JP] Japan ..... 62-43661
- Oct. 26, 1987 [JP] Japan ..... 62-43662
- Oct. 26, 1987 [JP] Japan ..... 62-43663

[52] U.S. Cl. .... D16/202; D16/210

[58] Field of Search ..... D16/200, 201, 202, 203, D16/204, 205, 208, 209, 210-213, 216, 217, 218; 352/242; 354/75, 76, 288, 149.11

[56] References Cited

U.S. PATENT DOCUMENTS

- D. 149,233 4/1948 Teague ..... D16/210
- D. 167,577 5/1951 Lamb ..... D16/210
- D. 193,693 9/1962 Steineck ..... D16/210
- D. 226,453 3/1973 Bundy ..... D16/203

- D. 252,930 9/1979 Wheeler et al. .... D16/202
- 3,906,526 9/1975 Toyoshima ..... 354/149.11
- 4,484,680 11/1984 Olsen ..... 354/75
- 4,676,619 6/1987 Woolley ..... 354/288
- 4,829,384 5/1989 Iida et al. .... 358/229

FOREIGN PATENT DOCUMENTS

- 56-168645 12/1981 Japan ..... 354/288

Primary Examiner—Bernard Ansher  
Assistant Examiner—Adir Aronovich  
Attorney, Agent, or Firm—Young & Thompson

[57] CLAIM

The ornamental design for a combined video camera recorder with a still camera, as shown.

DESCRIPTION

FIG. 1 is a top and front and side perspective view of a combined video camera recorder with a still camera, showing our new design;  
FIG. 2 is a front elevational view thereof;  
FIG. 3 is a rear elevational view thereof;  
FIG. 4 is a top plan view thereof;  
FIG. 5 is a bottom plan view thereof;  
FIG. 6 is a side elevational view thereof from the right of FIG. 2; and  
FIG. 7 is a side elevational view thereof from the left of FIG. 2.

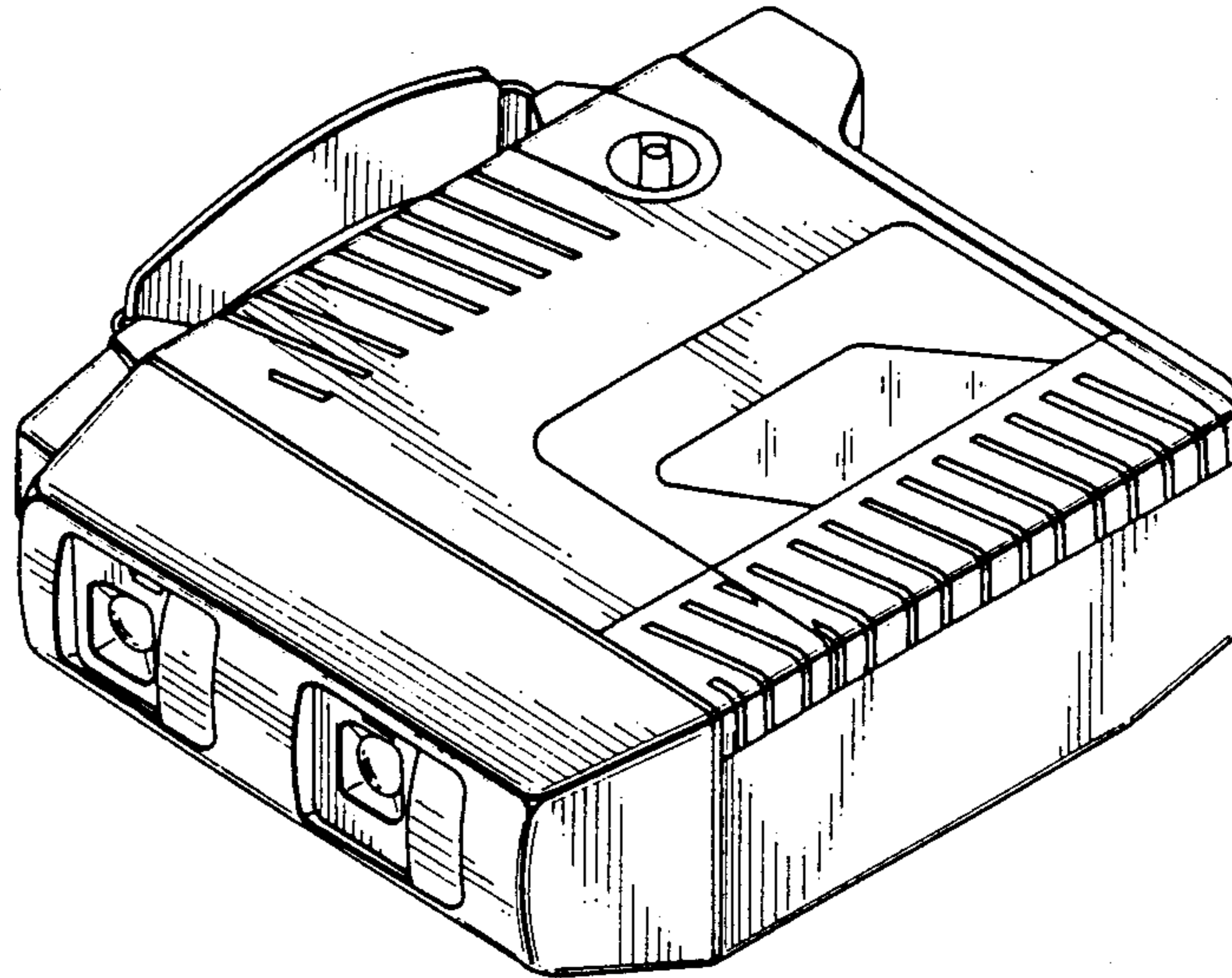


FIG. 1

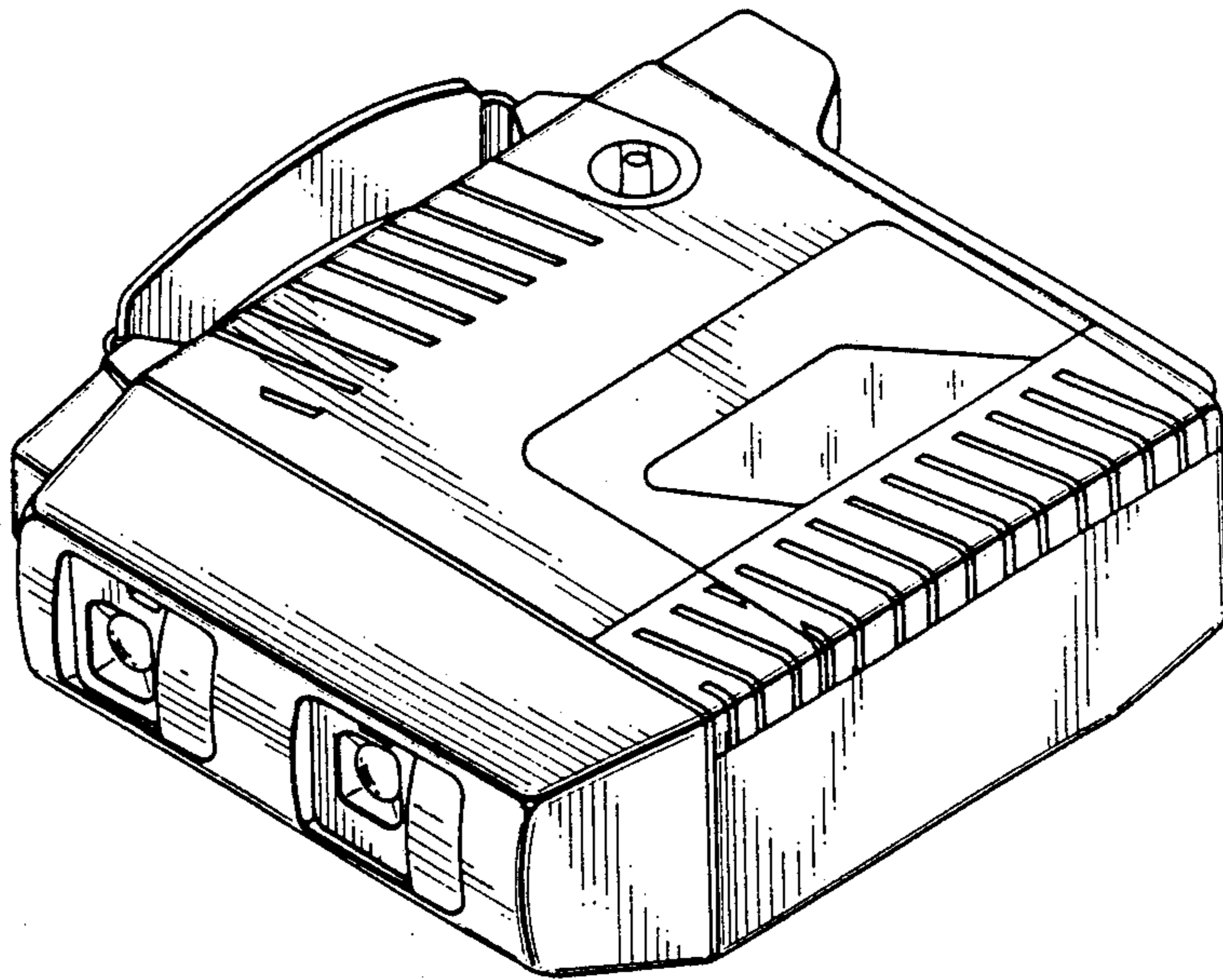


FIG. 2

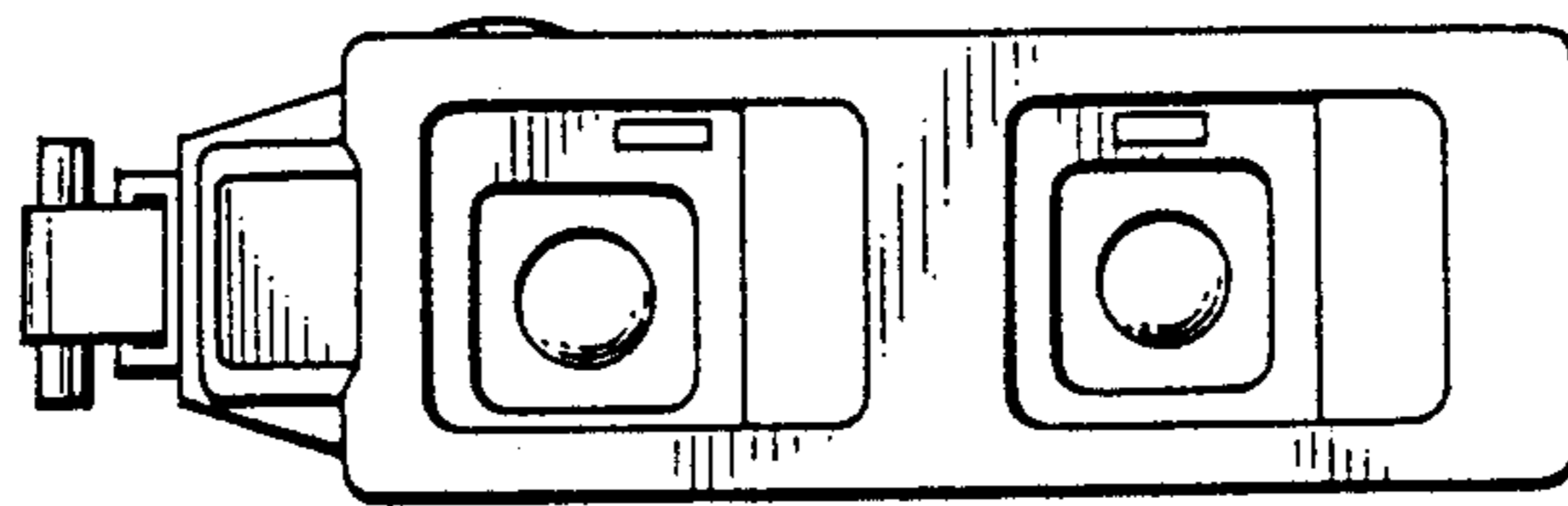


FIG. 3

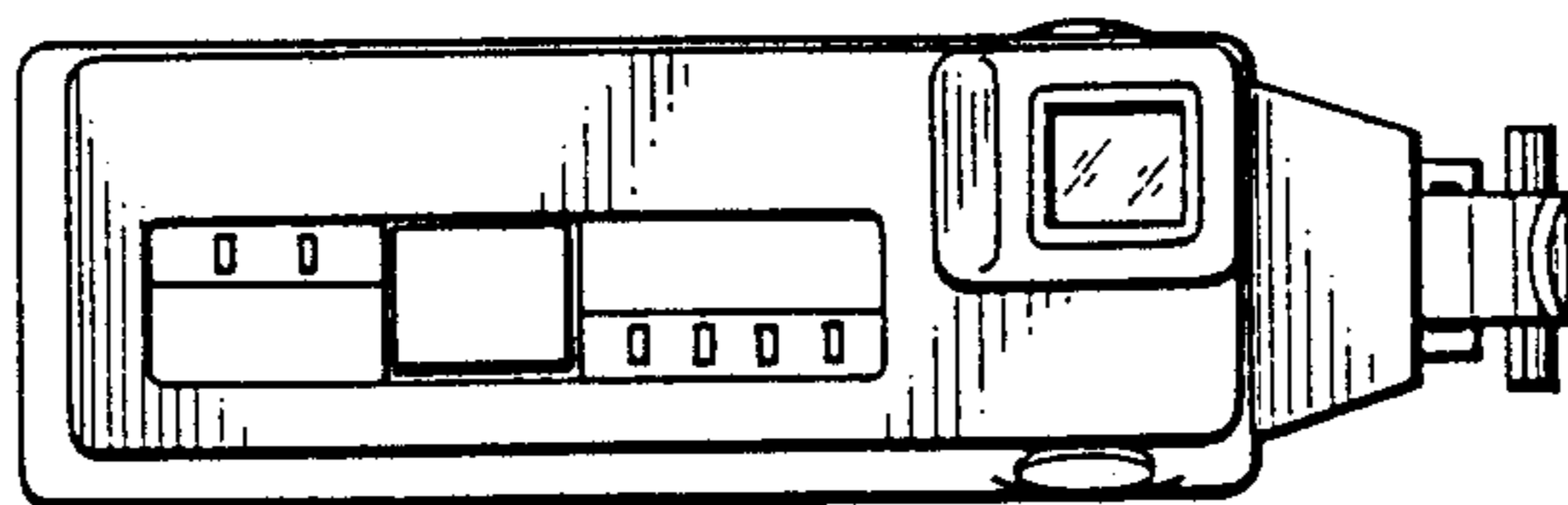


FIG. 4

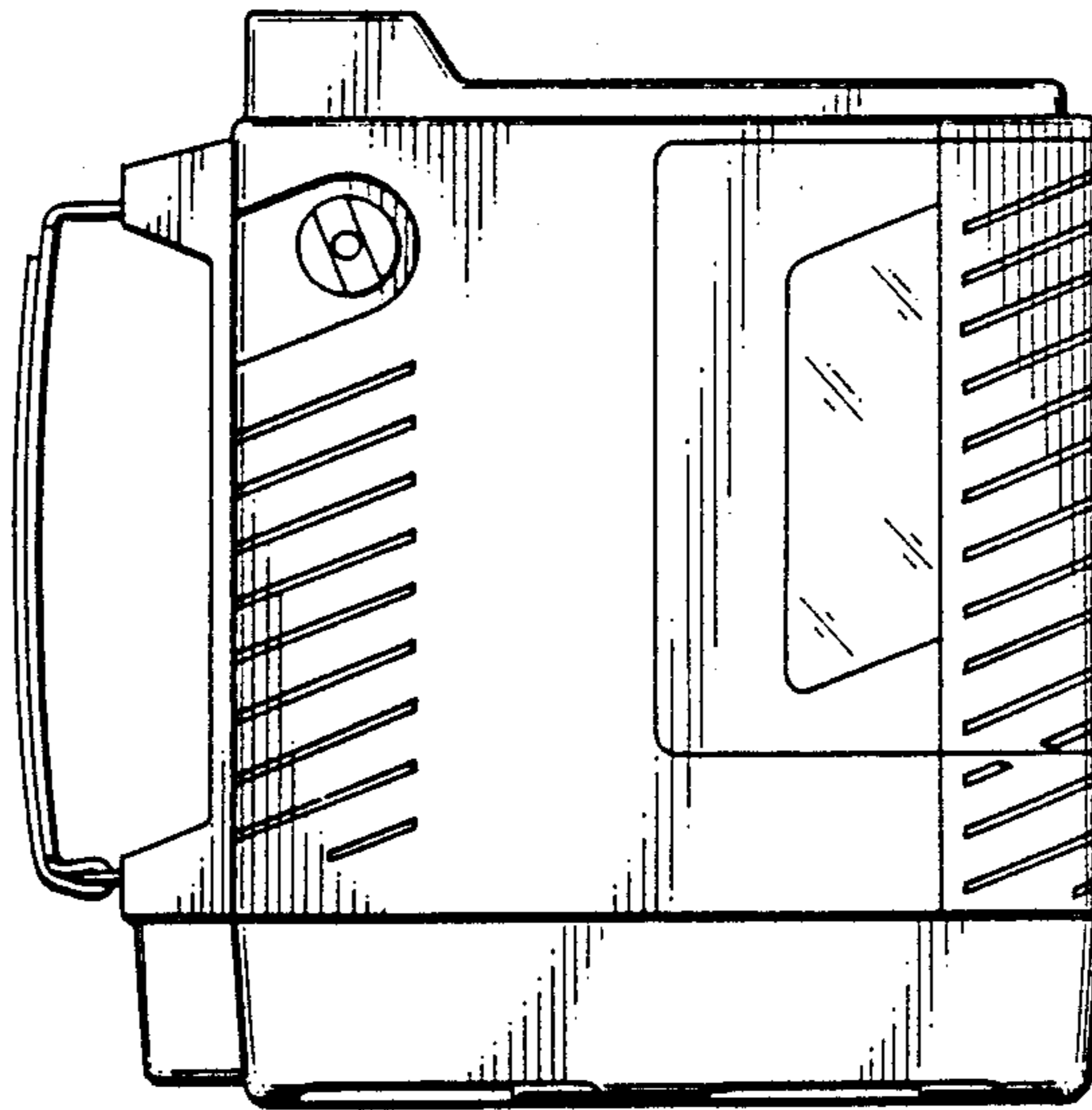


FIG. 5

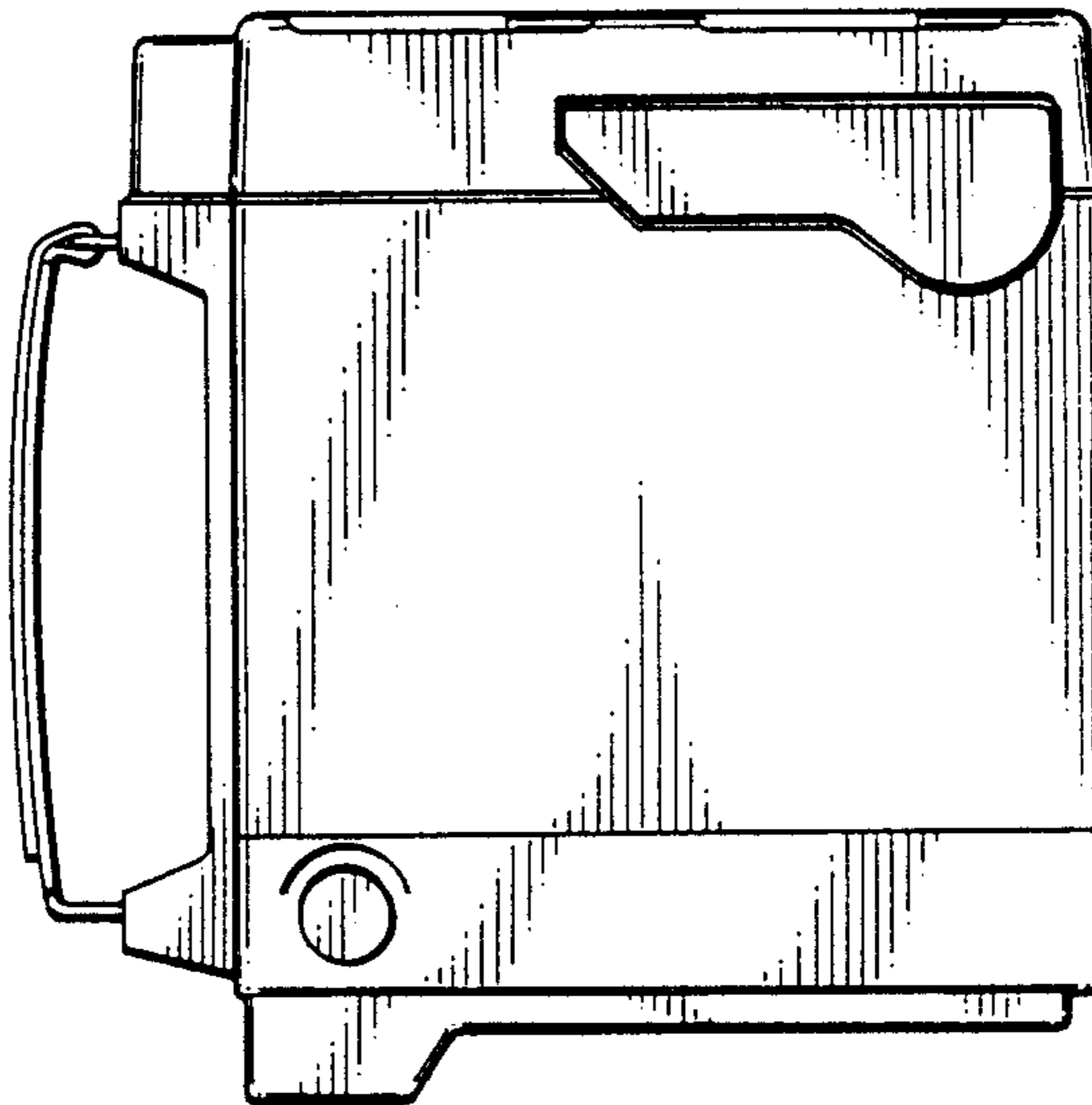


FIG. 6

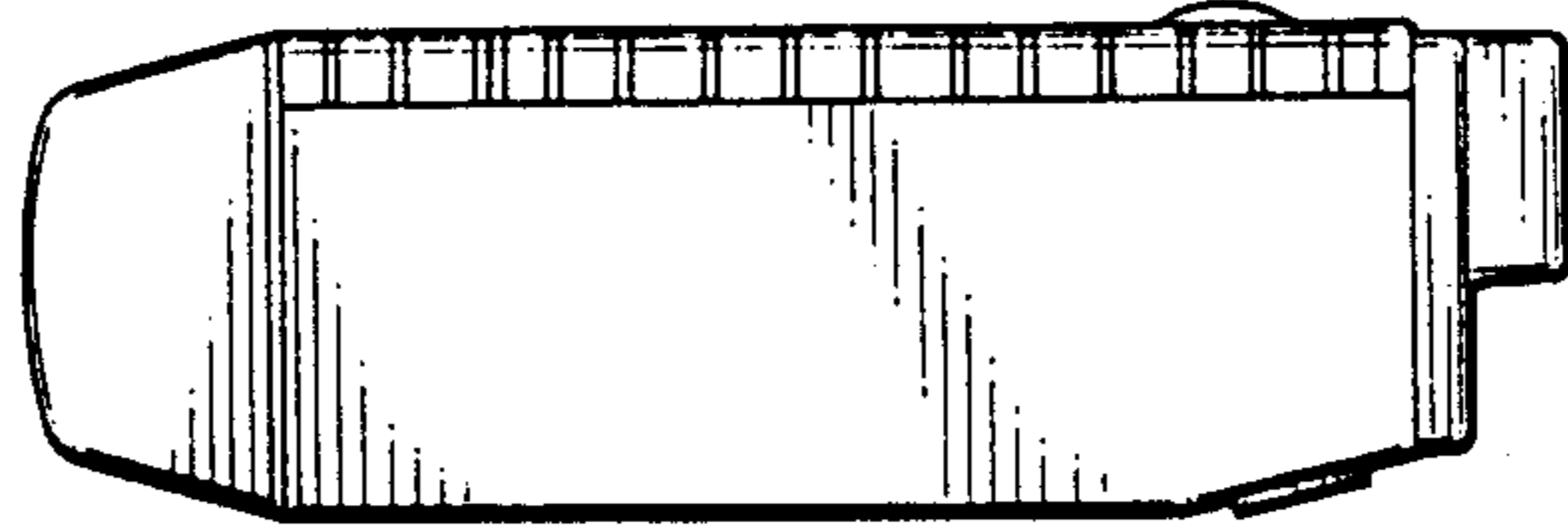


FIG. 7

