

[54] SPEAKER

[76] Inventor: **Wa-An Liao**, 1, Lane 149, Sec. 3, Pei-Hsin Road, Taipei, Taiwan

[**] Term: **14 Years**

[21] Appl. No.: **156,562**

[22] Filed: **Feb. 17, 1988**

[52] U.S. Cl. **D14/207; D14/121**

[58] Field of Search **D14/204-216, D14/221, 224; 312/7.1; 181/144-145, 148, 152-153, 155, 157, 198-199; 381/24, 87-88, 90, 159**

[56] **References Cited**

U.S. PATENT DOCUMENTS

D. 271,198	11/1983	Shimizu	D14/121
4,764,961	8/1988	Hung	D14/207 X
4,782,533	11/1988	Haynie	381/24

OTHER PUBLICATIONS

Radio Shack; 1988 Catalog; p. 25; bottom left—Personal Stereo Mini Speaker System.

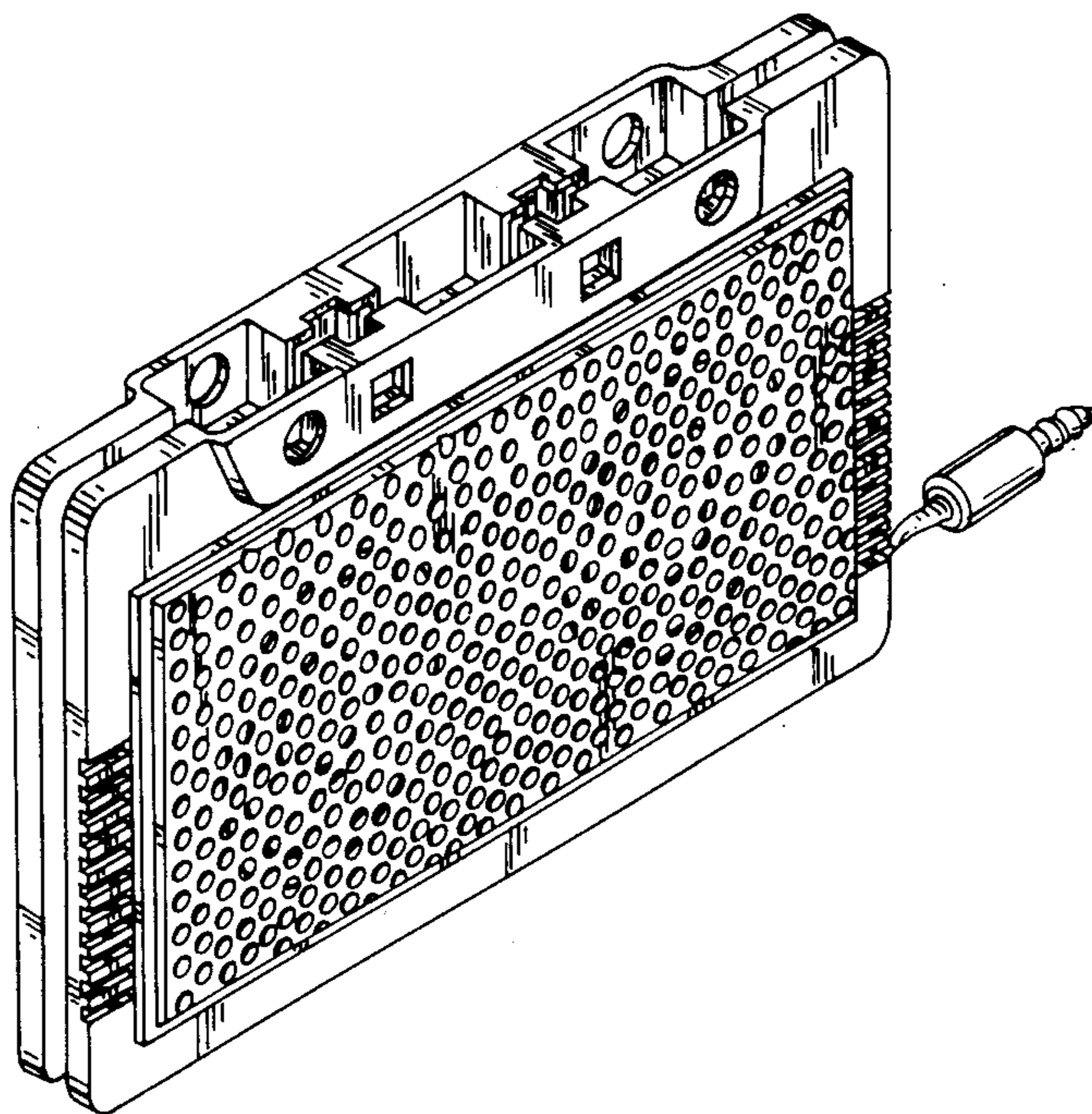
Primary Examiner—Theodore M. Shooman
Attorney, Agent, or Firm—Cushman, Darby & Cushman

[57] **CLAIM**

The ornamental design for a speaker, as shown.

DESCRIPTION

FIG. 1 is a front elevational view of a speaker showing my new design;
FIG. 2 is a right side elevational view thereof;
FIG. 3 is a left side elevational view thereof;
FIG. 4 is a top plan view thereof;
FIG. 5 is a rear elevational view thereof;
FIG. 6 is a bottom plan view thereof;
FIG. 7 is a top, front and left side perspective view thereof; and
FIG. 8 is a top, rear and right side perspective view thereof.



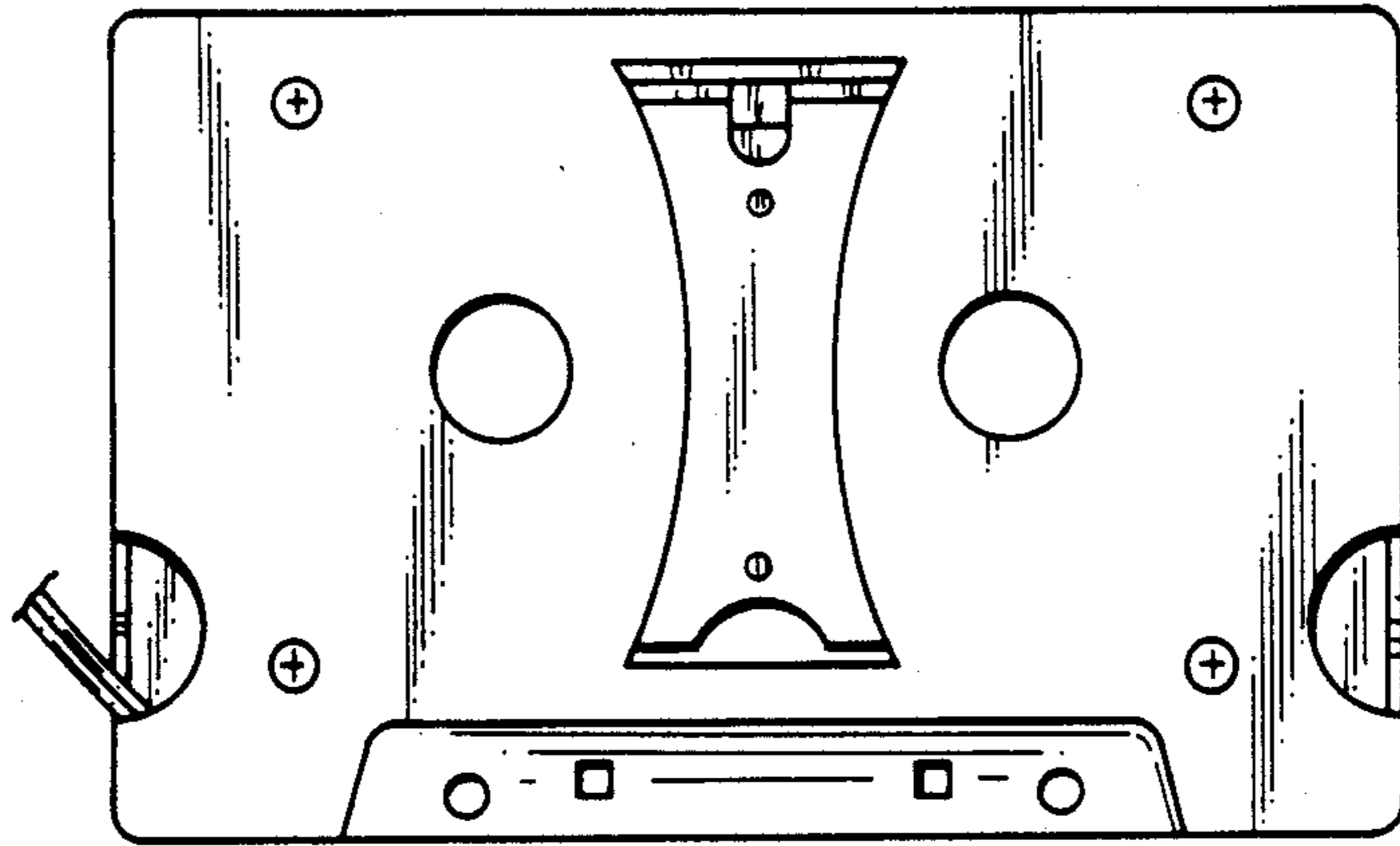


FIG. 5

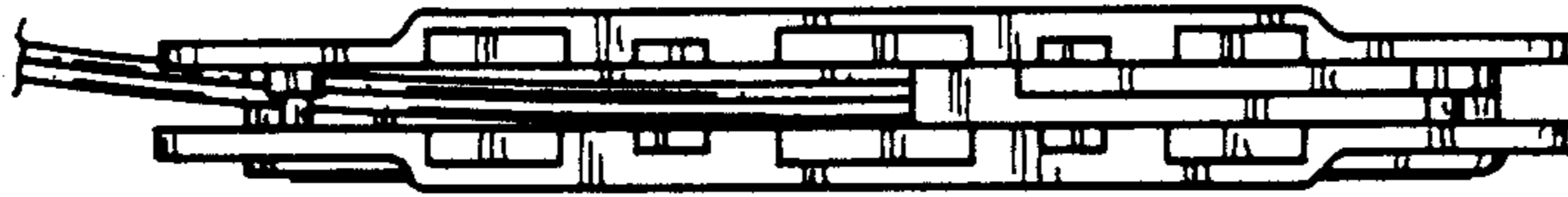


FIG. 4

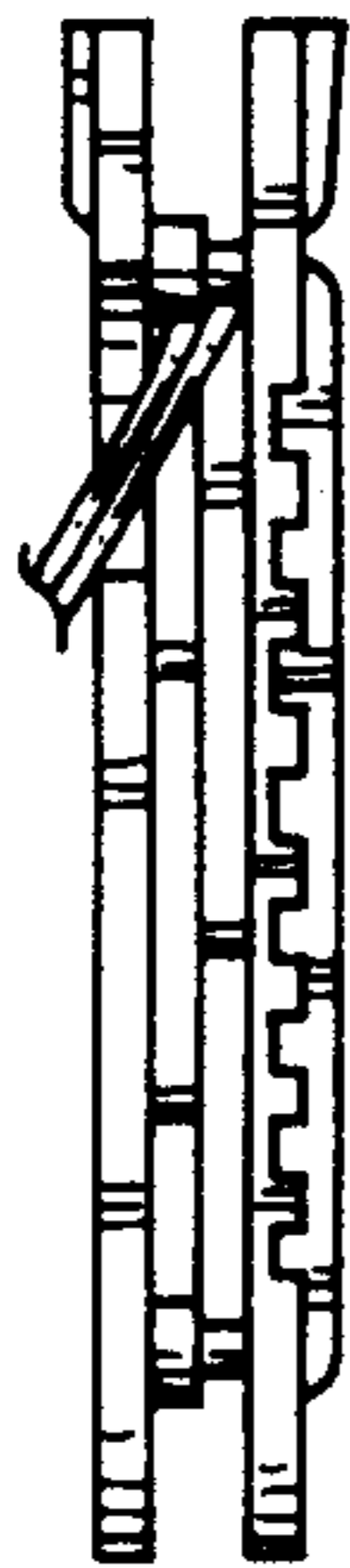


FIG. 3

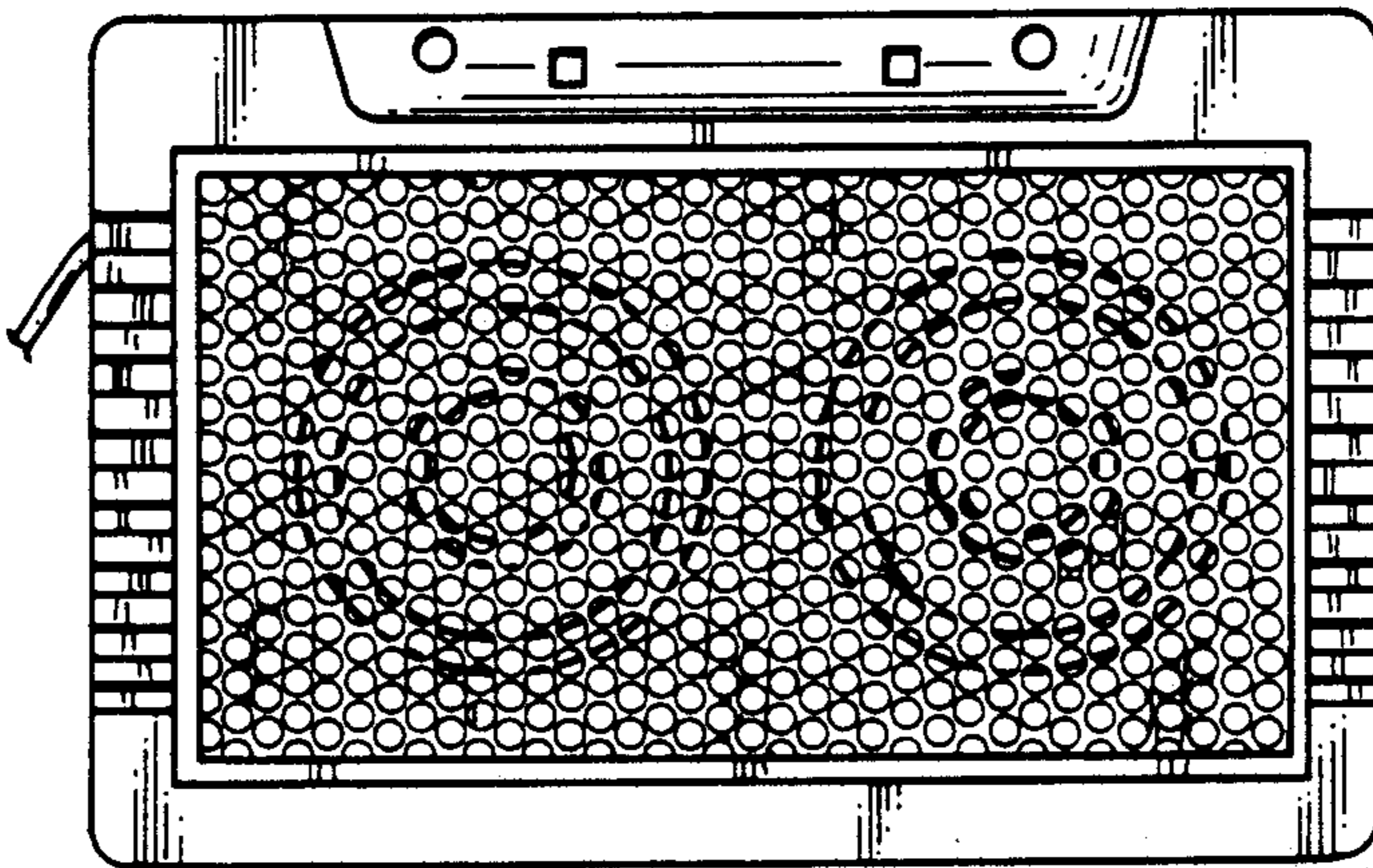


FIG. 1

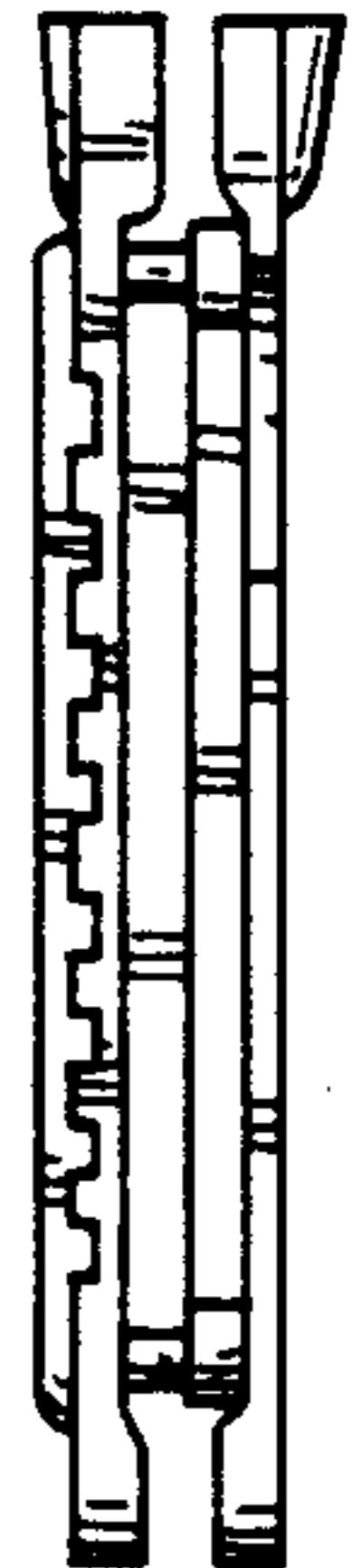


FIG. 2

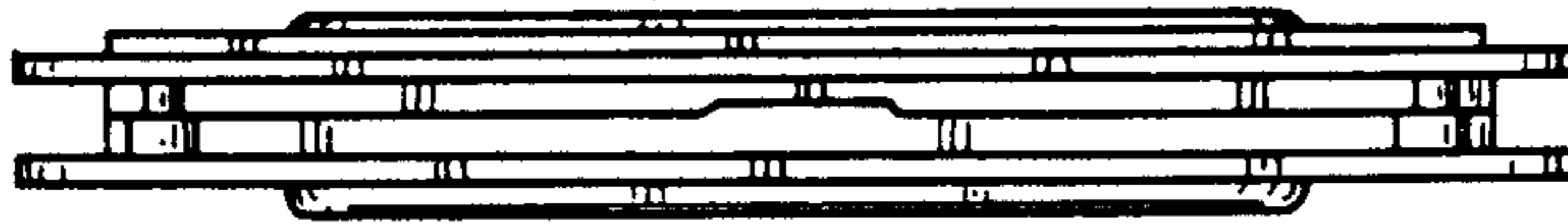


FIG. 6

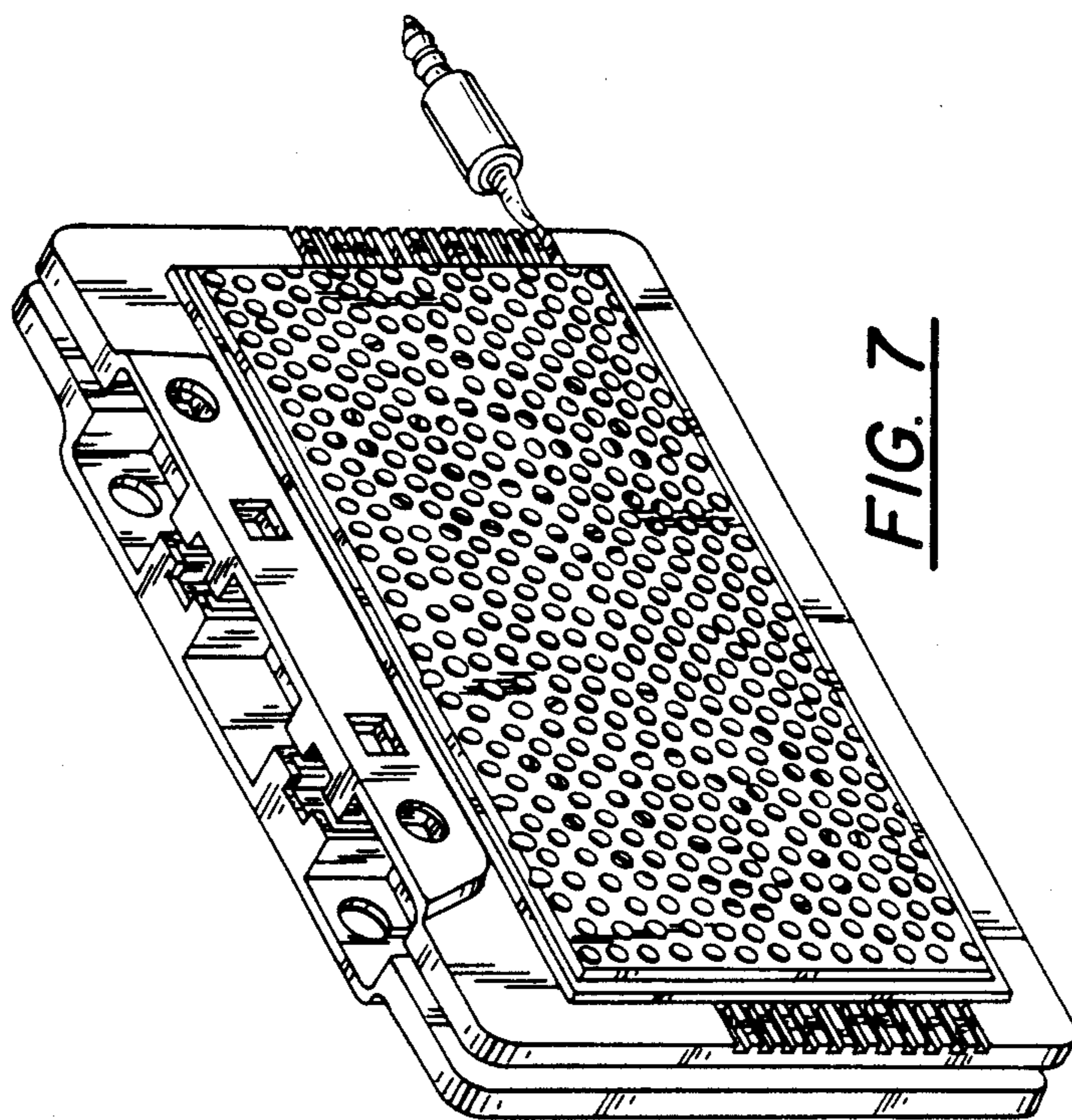


FIG. 7

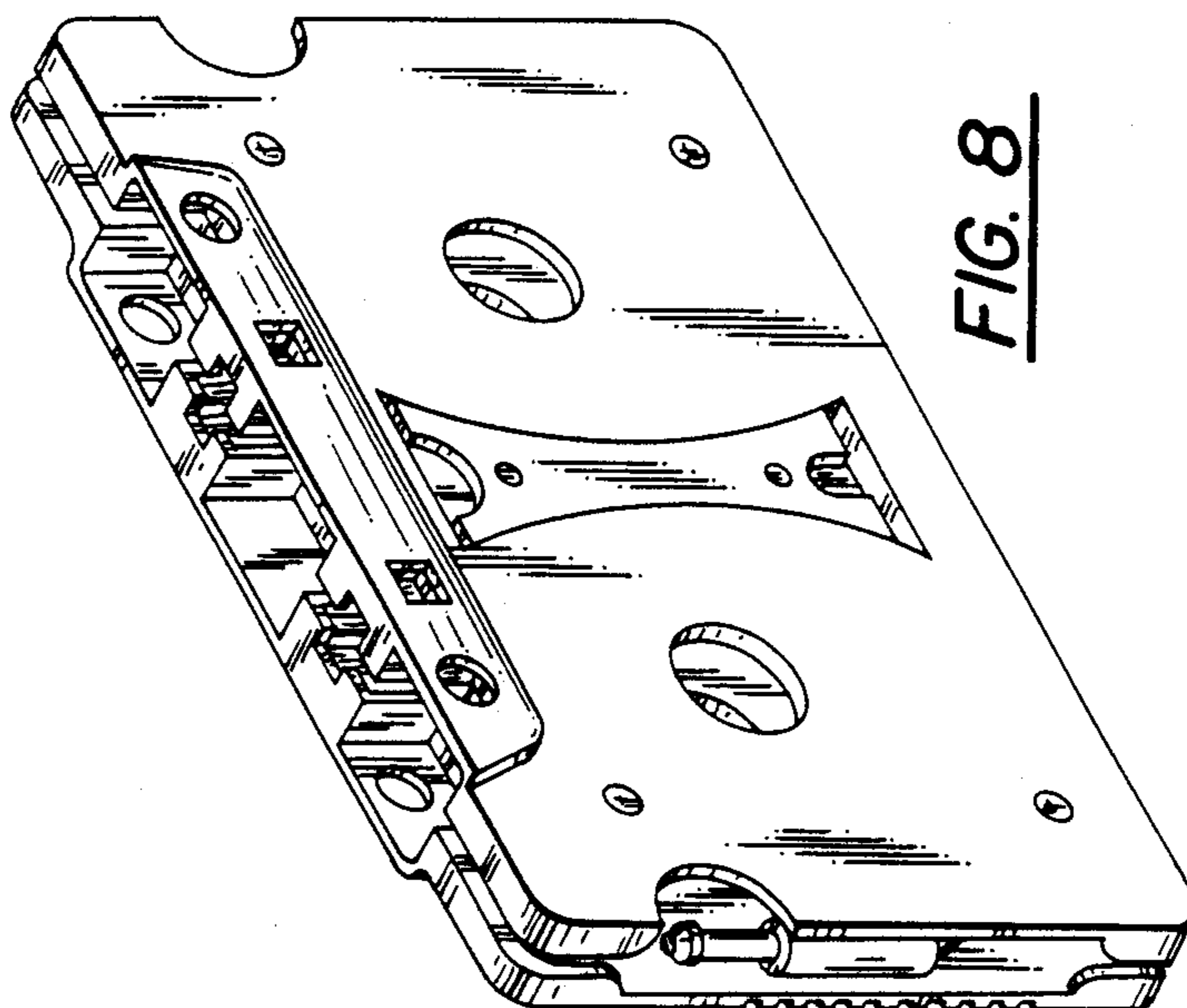


FIG. 8