

[54] **TELEPHONE ANSWERING SET**

[75] **Inventors:** Arlan K. Andrews, Sr., Indianapolis, Ind.; David C. Danielson, New Canaan, Conn.; John N. McGarvey, Drexel Hill, Pa.; Alvin R. Tilley, Red Bank, N.J.

[73] **Assignee:** AT&T Bell Laboratories, Murray Hill, N.J.

[*] **Notice:** The portion of the term of this patent subsequent to Apr. 7, 2001 has been disclaimed.

[**] **Term:** 14 Years

[21] **Appl. No.:** 116,136

[22] **Filed:** Nov. 2, 1987

[52] **U.S. Cl.** D14/141; D14/140

[58] **Field of Search** D14/141, 160-168, D14/188-189, 191-192, 196, 199, 202, 299

[56] **References Cited**

U.S. PATENT DOCUMENTS

- D. 255,032 5/1980 Maddock D14/92
- D. 265,734 8/1982 Mahan D14/60
- D. 274,243 6/1984 Asaki D14/53

- D. 282,361 1/1986 Brown et al. D14/60
- D. 289,155 4/1987 Brooks et al. D14/4
- D. 290,837 7/1987 Martinez D14/141
- D. 298,618 11/1988 Martinez D14/141
- 4,596,901 6/1986 Hanscom et al. D14/141 X

OTHER PUBLICATIONS

HFD; 06/15/87; p. 82; top right—Answermate 500.
HFD; 08/17/87; p. 83; top left—PhoneMate 6800.
HFD; 12/16/85; p. 116, top right—Record a Call Model 2020.

Primary Examiner—Theodore M. Shooman
Attorney, Agent, or Firm—Michael A. Morra

[57] **CLAIM**

The ornamental design for a telephone answering set, as shown and described.

DESCRIPTION

FIG. 1 is a top, front, right side perspective view of a telephone answering set showing our new design; FIG. 2 is a front elevational view thereof; FIG. 3 is a rear elevational view thereof; FIG. 4 is a left side elevational view thereof, the right side being a mirror image; FIG. 5 is a top plan view thereof; FIG. 6 is a bottom plan view thereof.

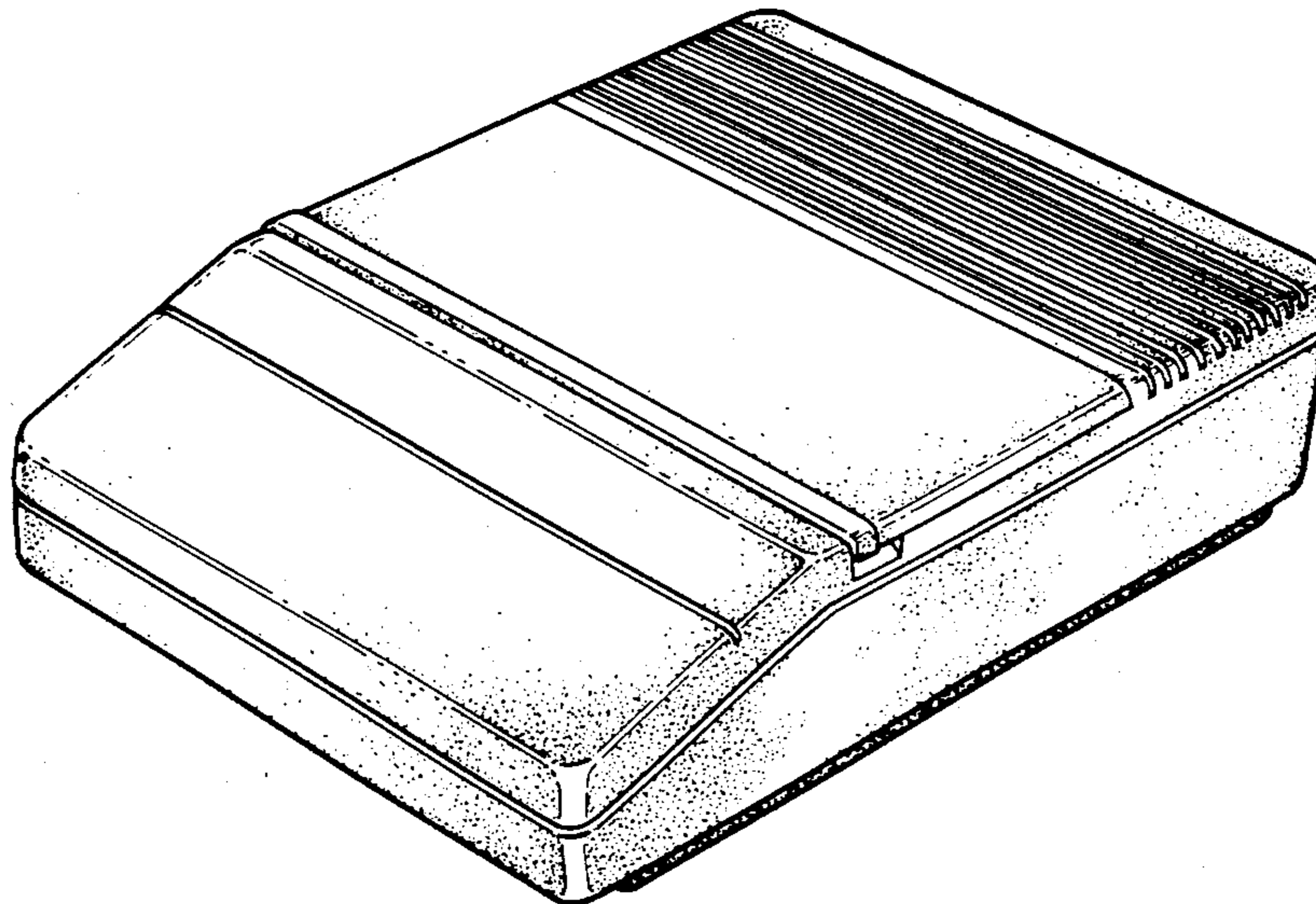


FIG. 1

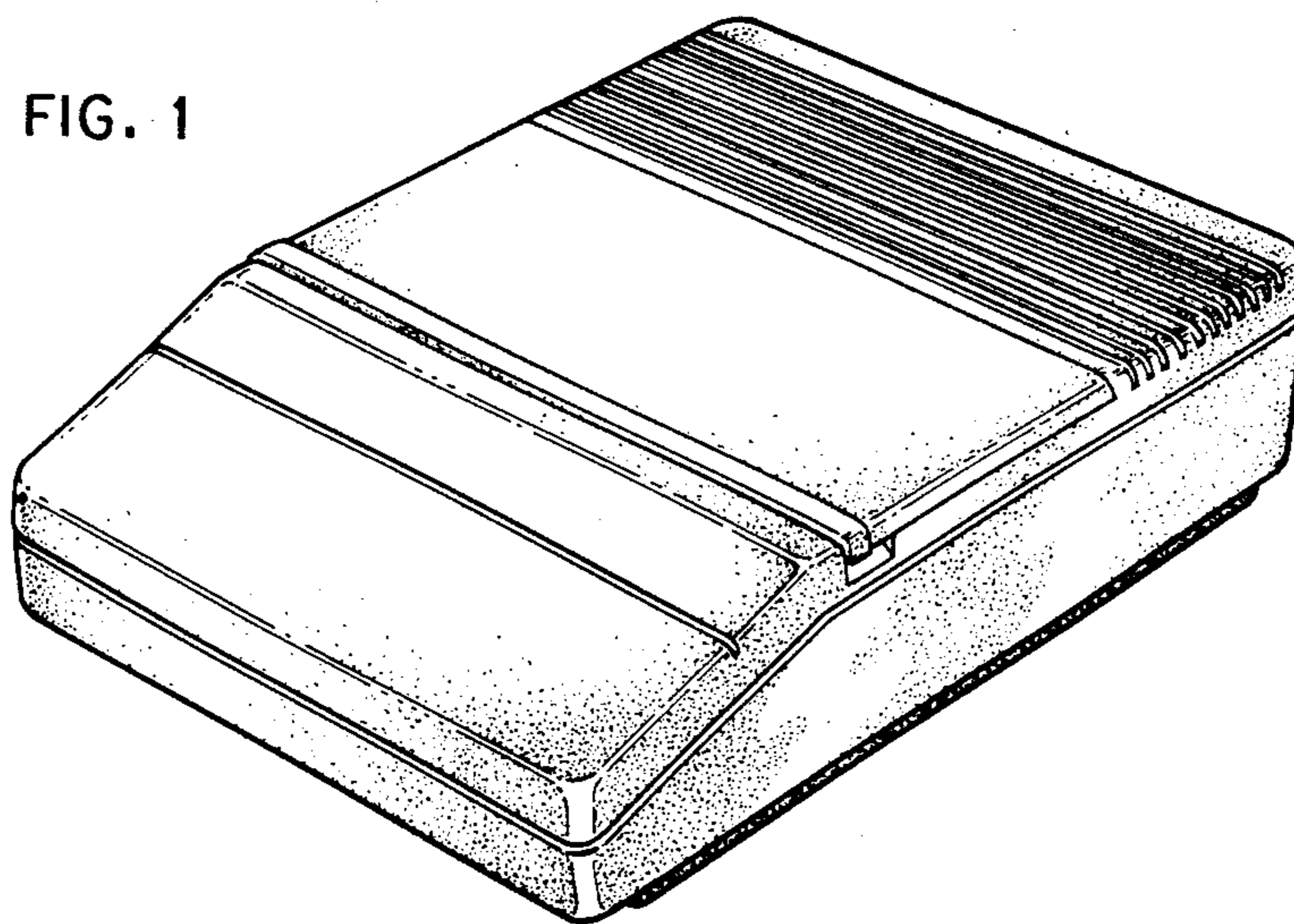


FIG. 2

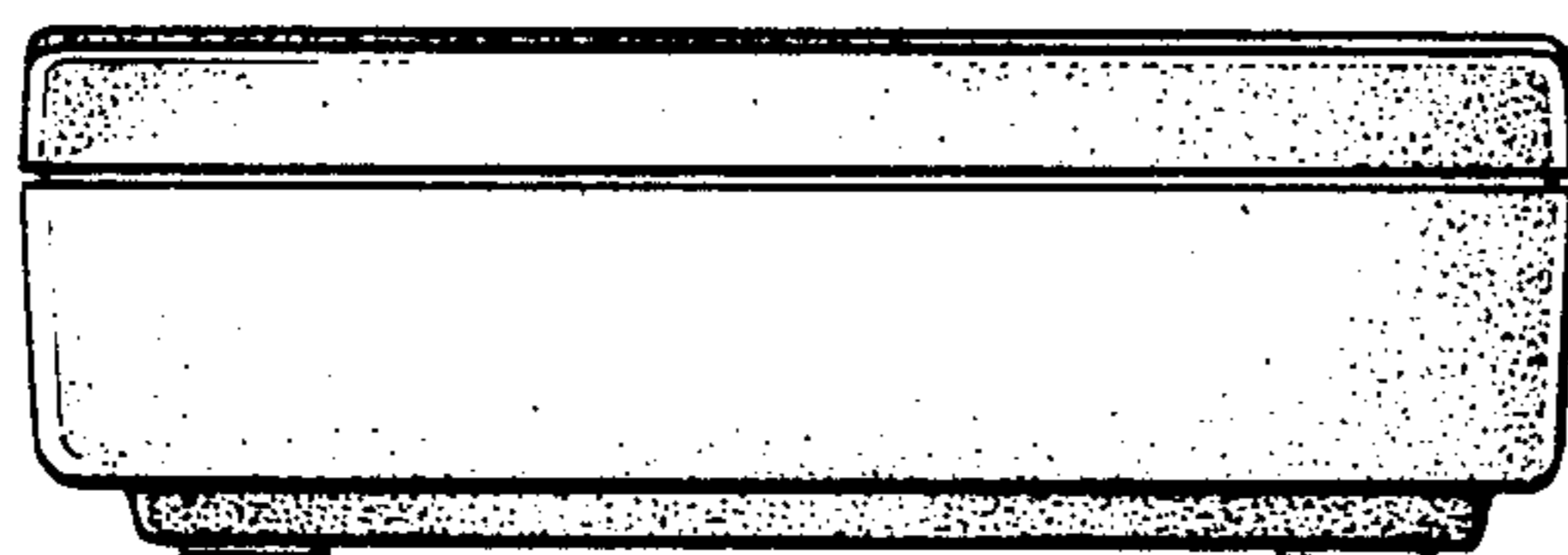
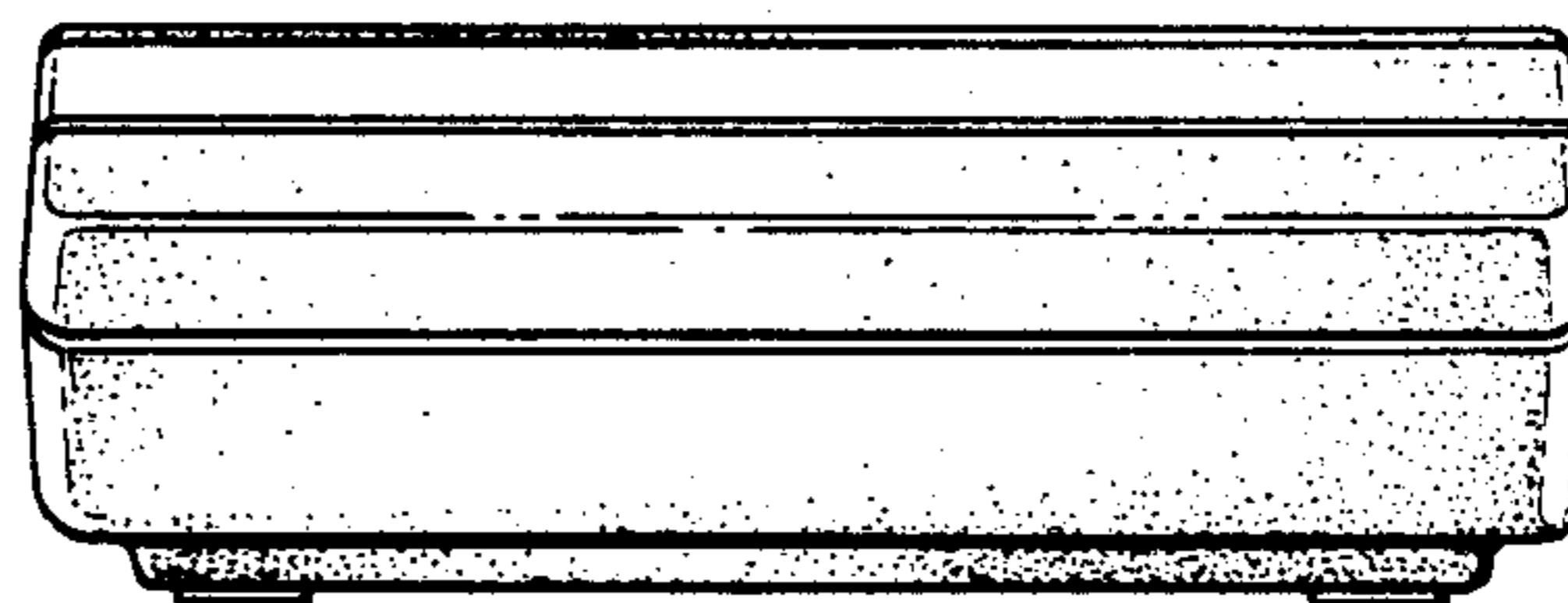
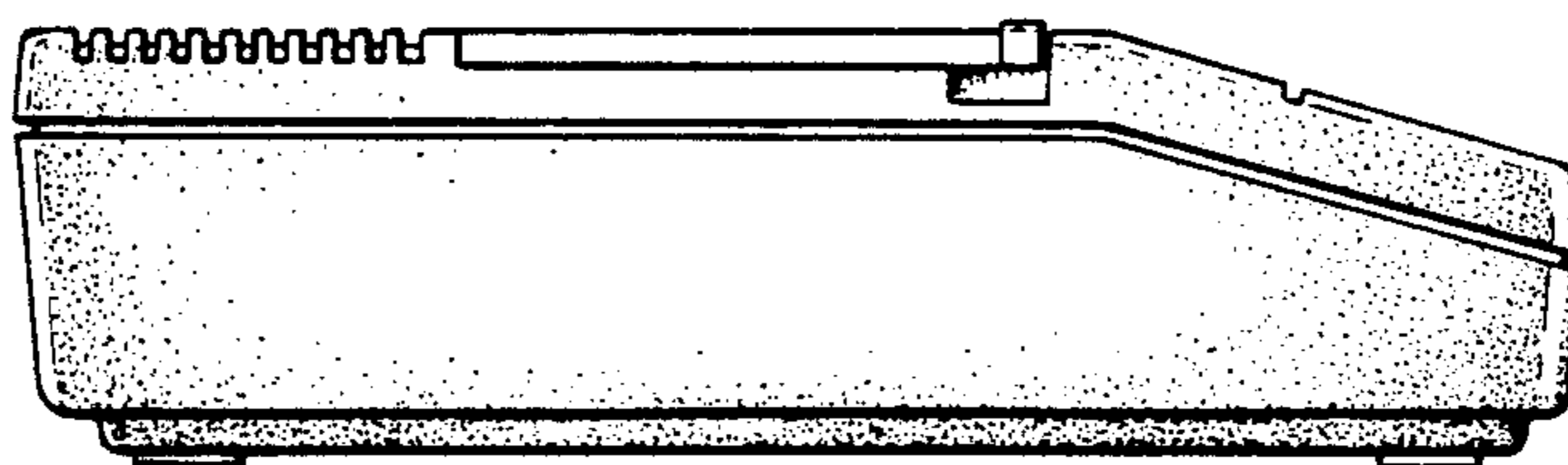


FIG. 3

FIG. 4



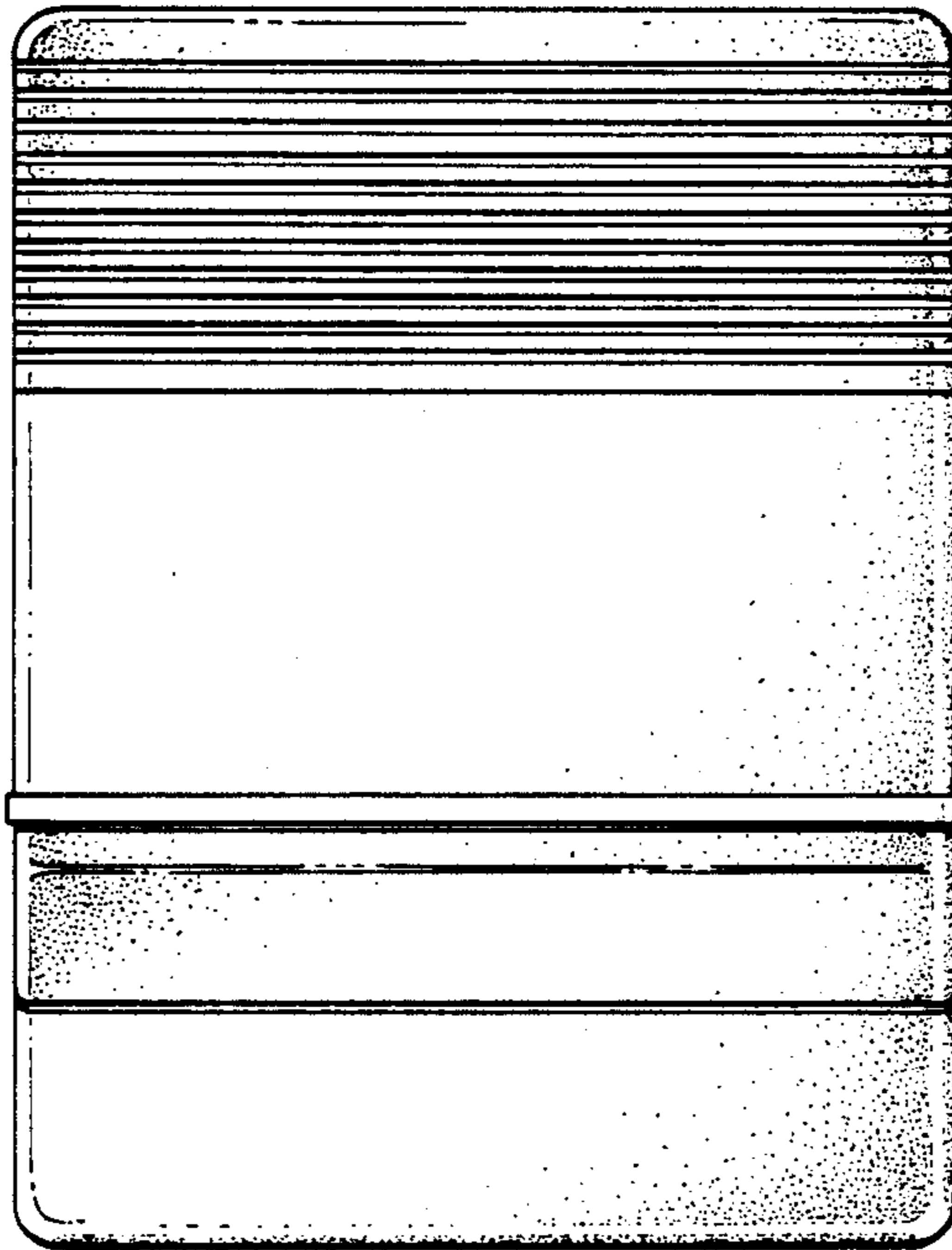


FIG. 5

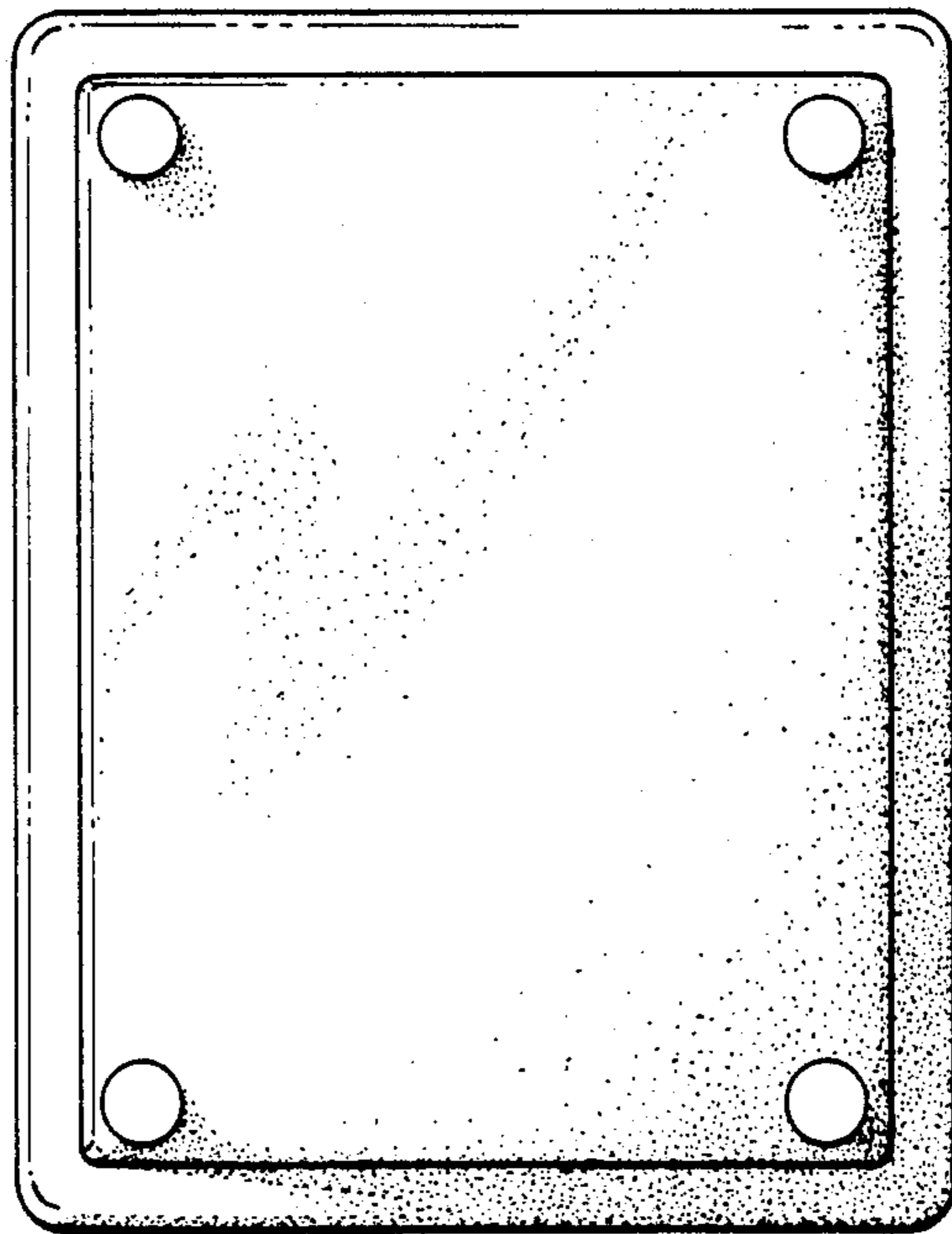


FIG. 6