

[54] **COAXIAL CONNECTOR**

[75] **Inventor: Takeshi Takizawa, Tokyo, Japan**

[73] **Assignee: Canare Electric Co., Ltd., Aichi, Japan**

[**] **Term: 14 Years**

[21] **Appl. No.: 178,279**

[22] **Filed: Apr. 6, 1988**

[52] **U.S. Cl. D13/133**

[58] **Field of Search D13/133, 151;
439/578-585; 350/96.2**

[56] **References Cited**

U.S. PATENT DOCUMENTS

3,223,954 12/1965 Mateev 439/578 X
4,307,926 12/1981 Smith 439/580 X

OTHER PUBLICATIONS

Allied Cable Plug D on p. 147 of Allied Catalog, ©1985.

CWY Terminator 3405 on p. 74 of CWY Electronics Cat., 1986.

Primary Examiner—Susan J. Lucas

Assistant Examiner—Joel Sincavage

Attorney, Agent, or Firm—Koda & Androlia

[57] **CLAIM**

The ornamental design for a coaxial connector, as shown and described.

DESCRIPTION

FIG. 1 is a front elevational view of a coaxial connector showing my new design;

FIG. 2 is a rear elevational view thereof;

FIG. 3 is a top plan view thereof;

FIG. 4 is a bottom plan view thereof;

FIG. 5 is a left side elevational view thereof;

FIG. 6 is a right side elevational view thereof; and

FIG. 7 is a perspective view thereof shown on a reduced scale.

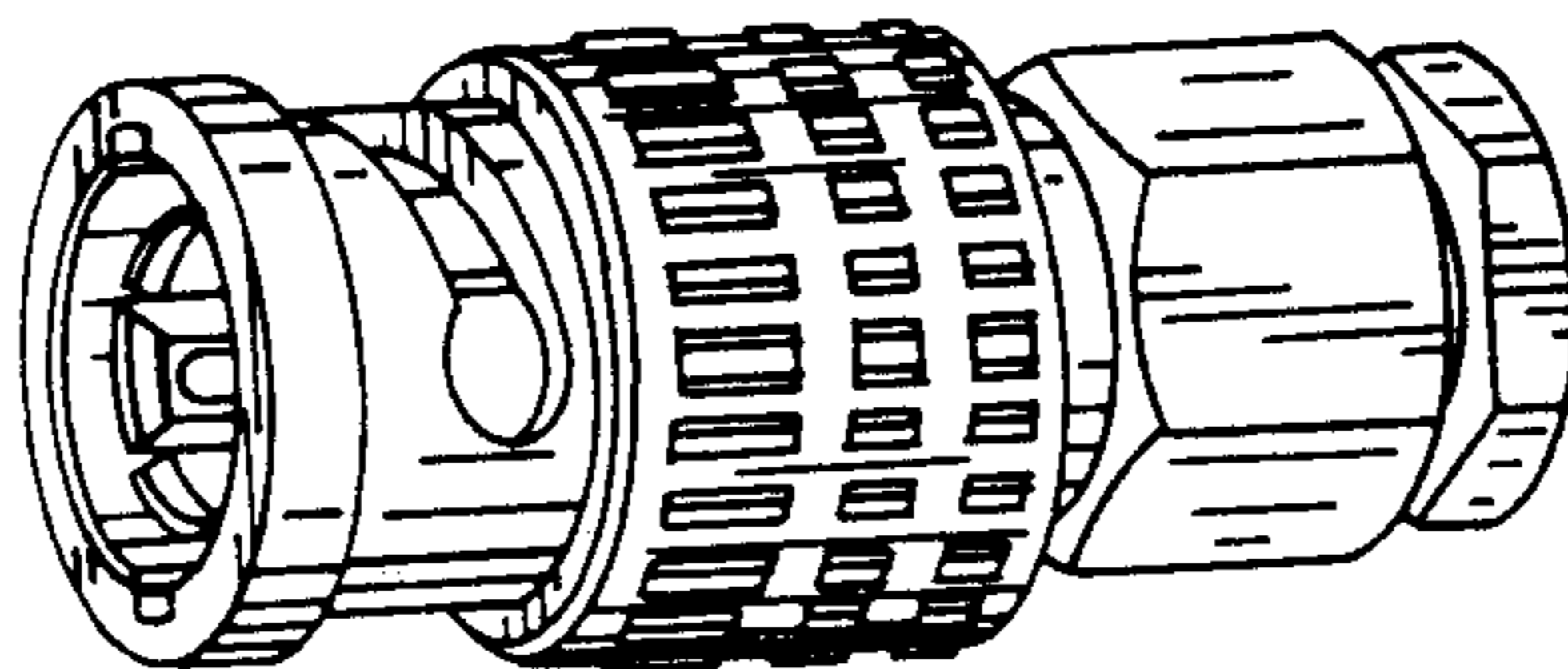


FIG.1

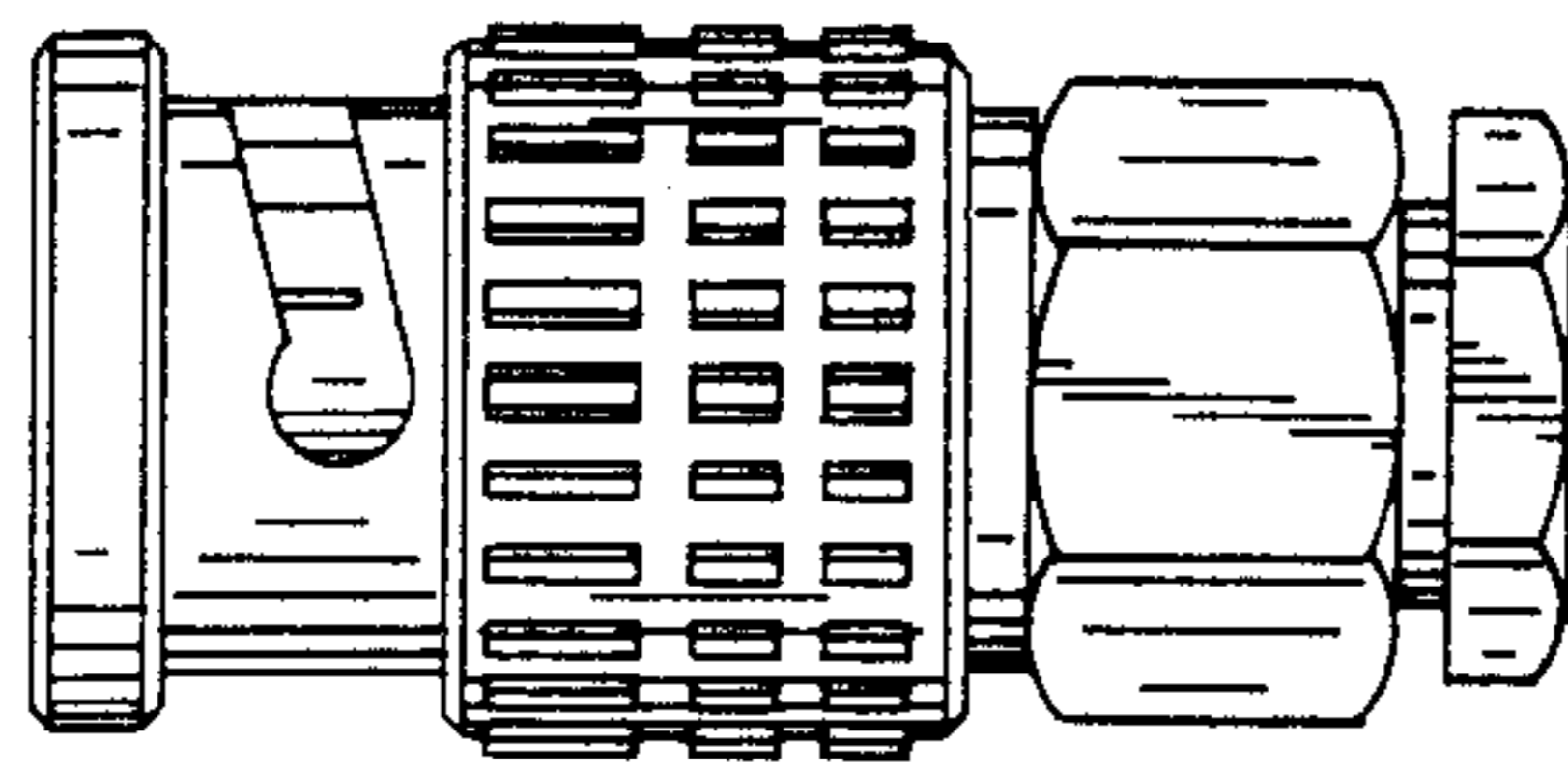


FIG.2

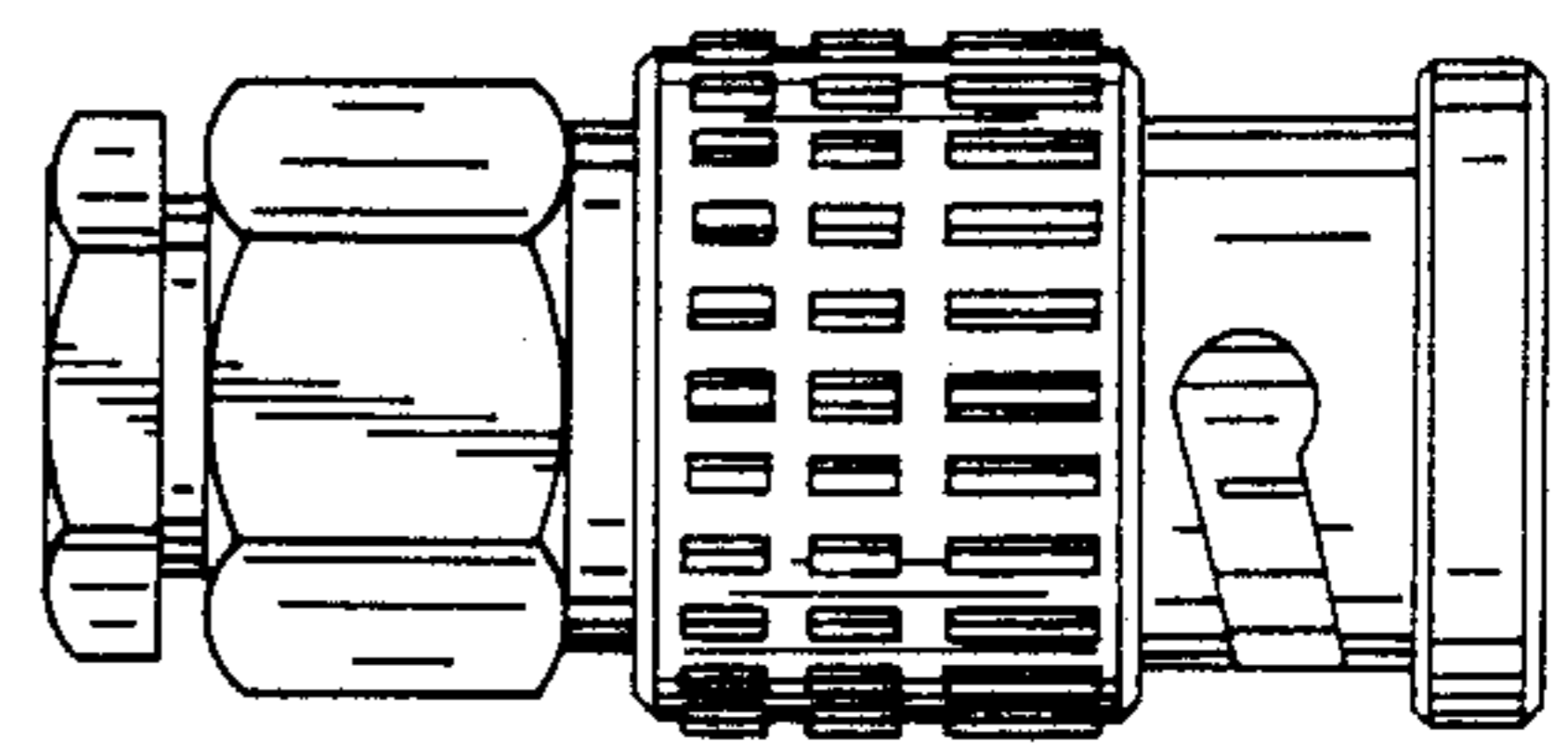


FIG.3

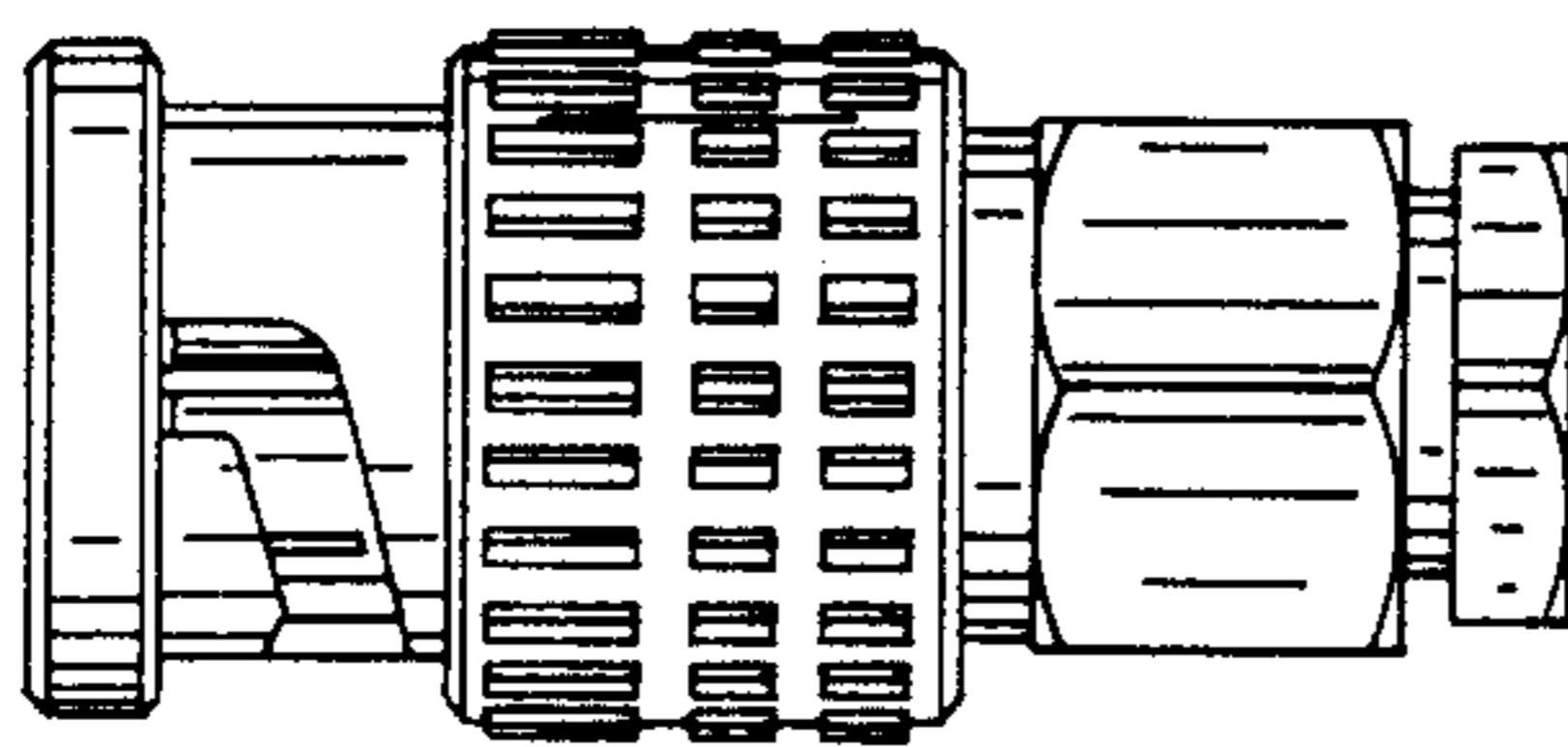


FIG.4

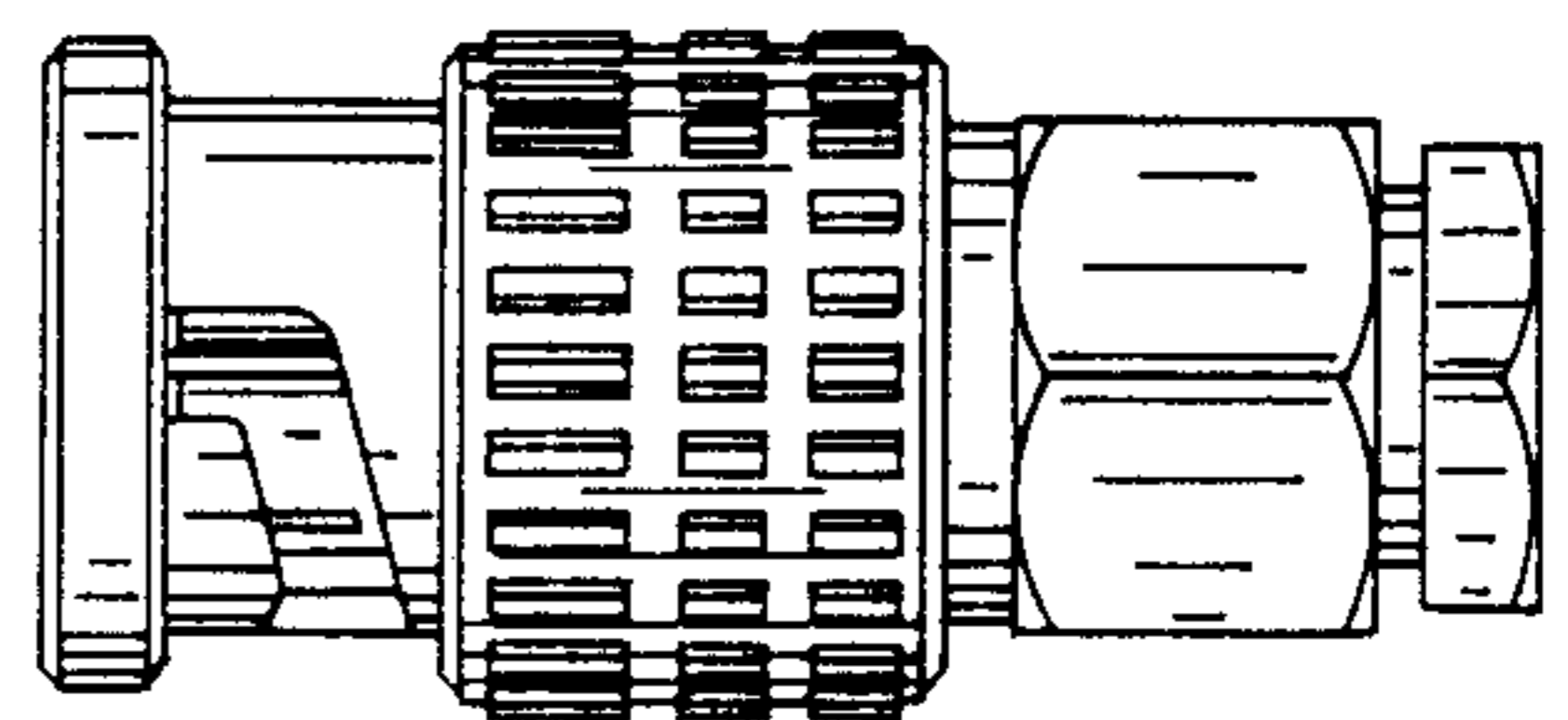


FIG.5

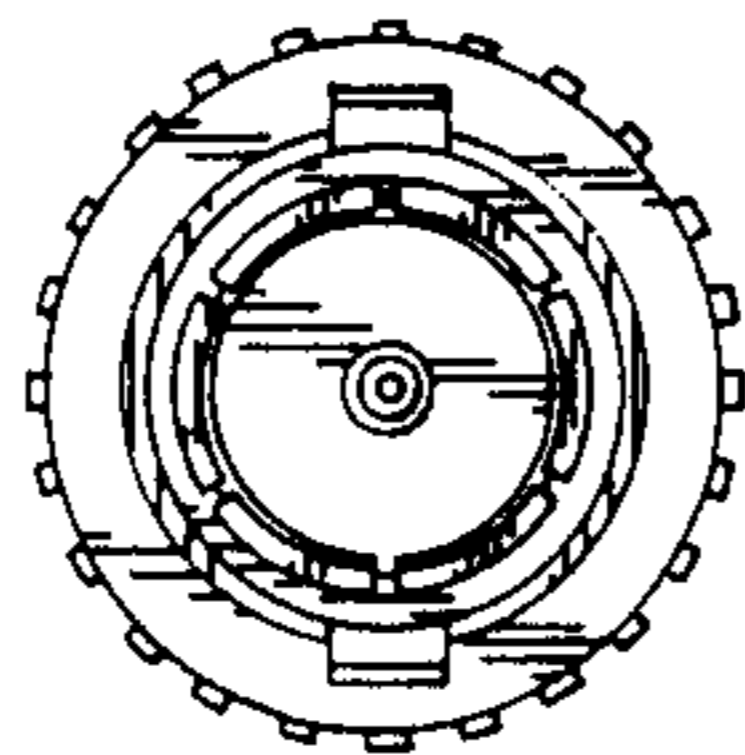


FIG.6

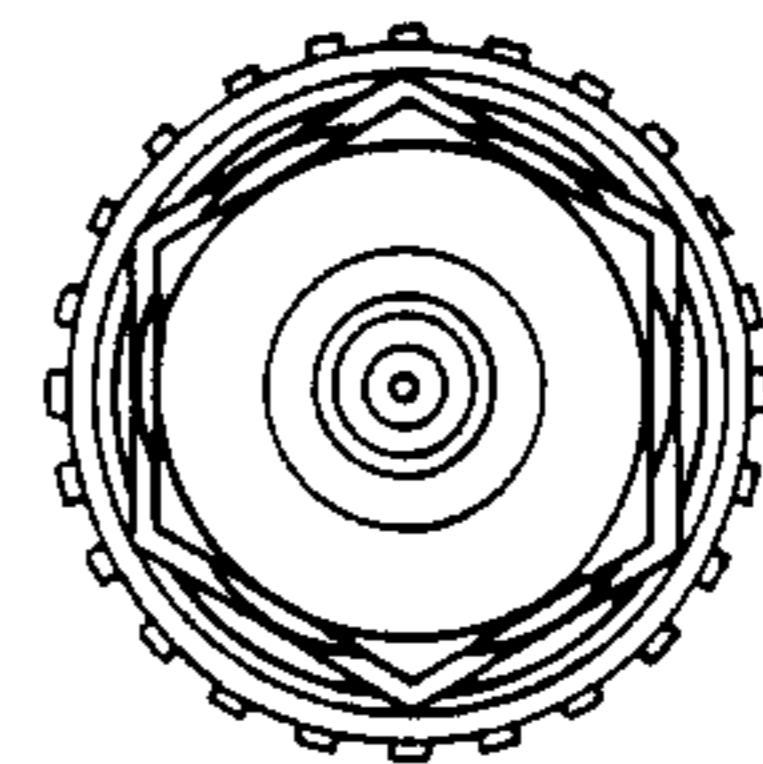


FIG.7

