

[54] YACHT

[76] Inventors: Vladimir J. Emelyanov, Khokhlovsky Per 11-13; Valery I. Ilevsky, UL. Nezhinskaya, 13-119, both of Moskva, U.S.S.R.

[**] Term: 14 Years

[21] Appl. No.: 153,040

[22] Filed: Feb. 8, 1988

[52] U.S. Cl. D12/303

[58] Field of Search D12/300, 303, 304; 114/39.1, 39.2, 61

[56] References Cited

U.S. PATENT DOCUMENTS

D. 236,099	7/1975	Heald	D12/303
D. 238,863	2/1976	Alter	D12/303
D. 241,326	9/1976	Crealock	D12/303
D. 241,826	10/1976	Crealock	D12/303
D. 277,472	2/1985	Alter	D12/303
4,829,925	5/1989	Haanen	114/39.1

Primary Examiner—Kay H. Chin
Attorney, Agent, or Firm—Burgess, Ryan & Wayne

[57] CLAIM

The ornamental design for a yacht, as shown and described.

DESCRIPTION

FIG. 1 is a top and front perspective view of a yacht showing our new designs;

FIG. 2 is a side elevational view thereof, the opposite side elevational view being a mirror image of that shown, portions of sails shown broken away for convenience of illustration;

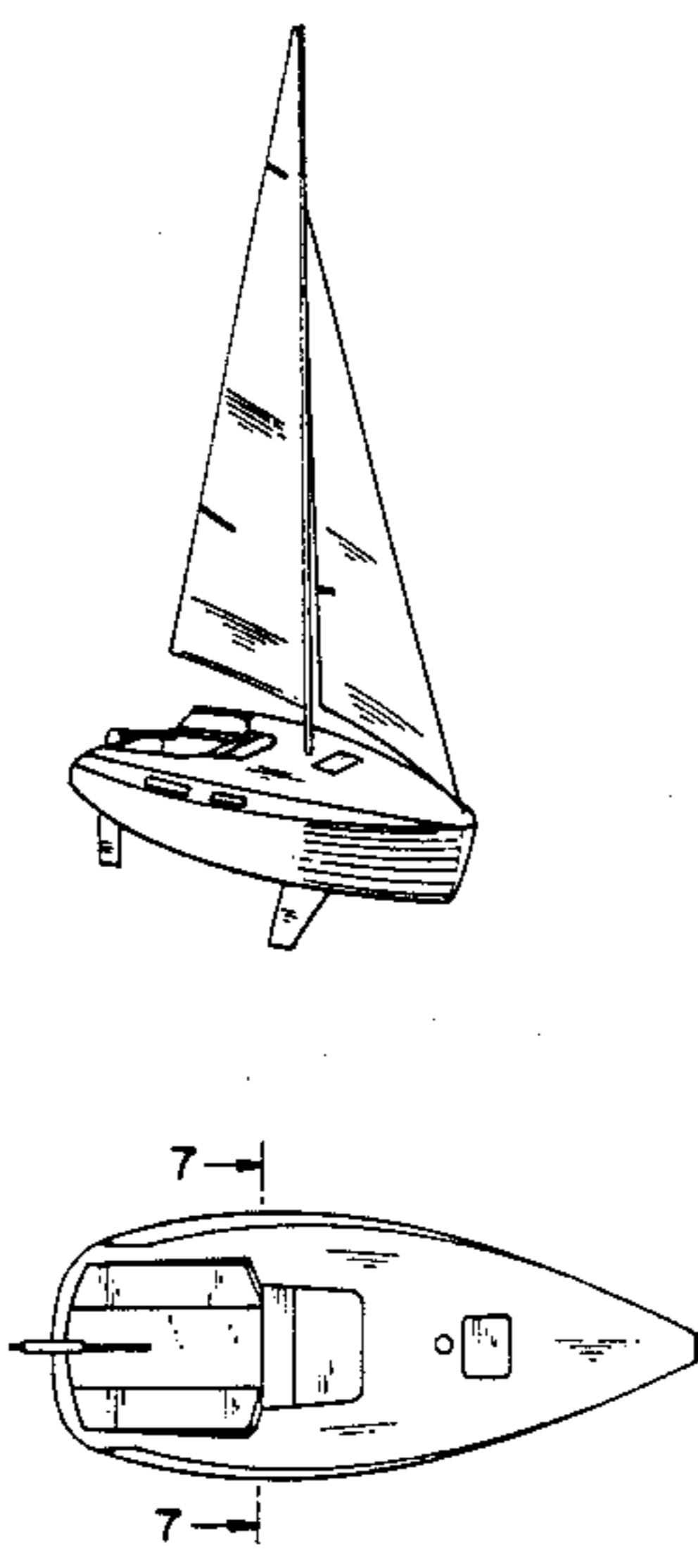
FIG. 3 is a top plan view thereof, without the sails;

FIG. 4 is a bottom plan view thereof, without the rudder;

FIG. 5 is a front elevational view thereof, without the masts and sails;

FIG. 6 is a rear elevational view thereof, without the masts and sails;

FIG. 7 is a cross-sectional view thereof taken along the line 7—7 of FIG. 3.



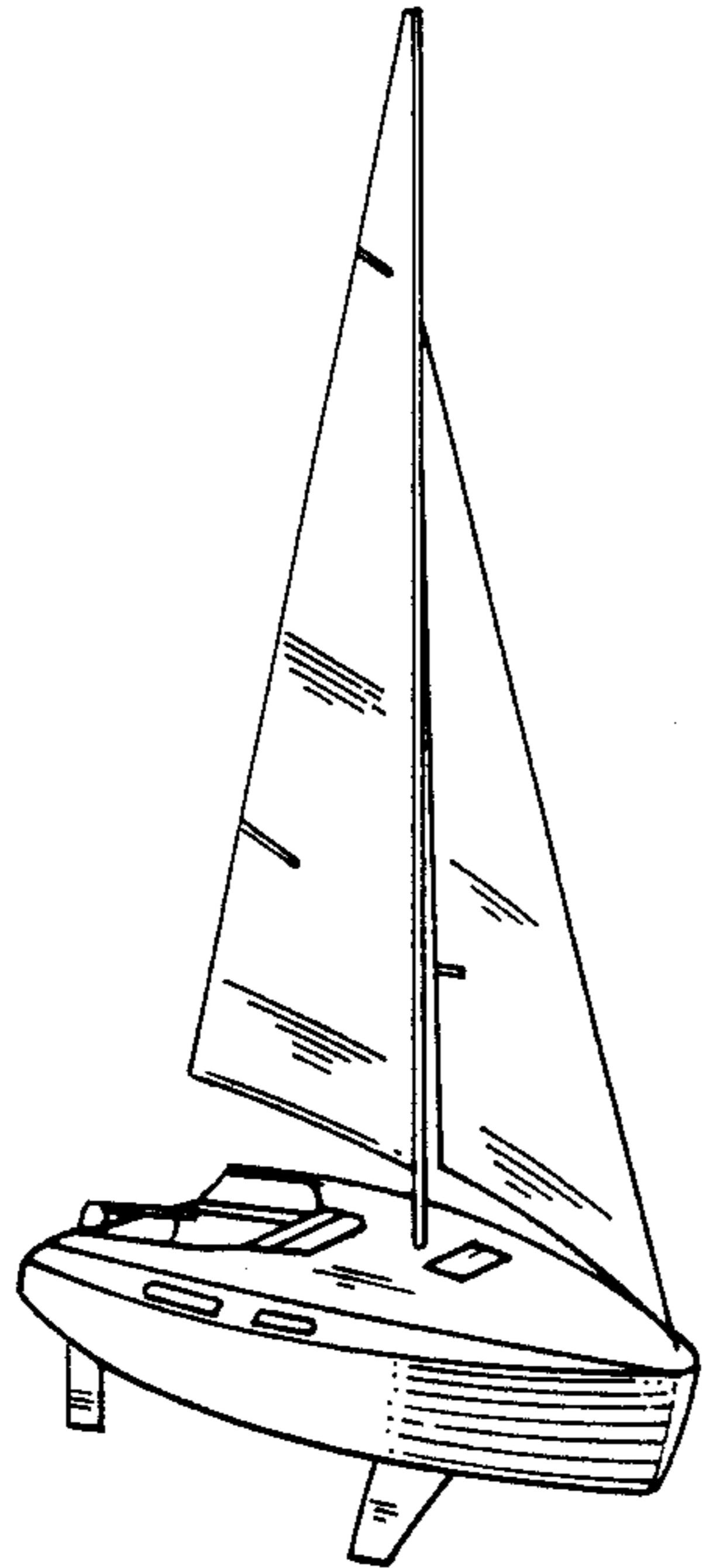


FIG. 1

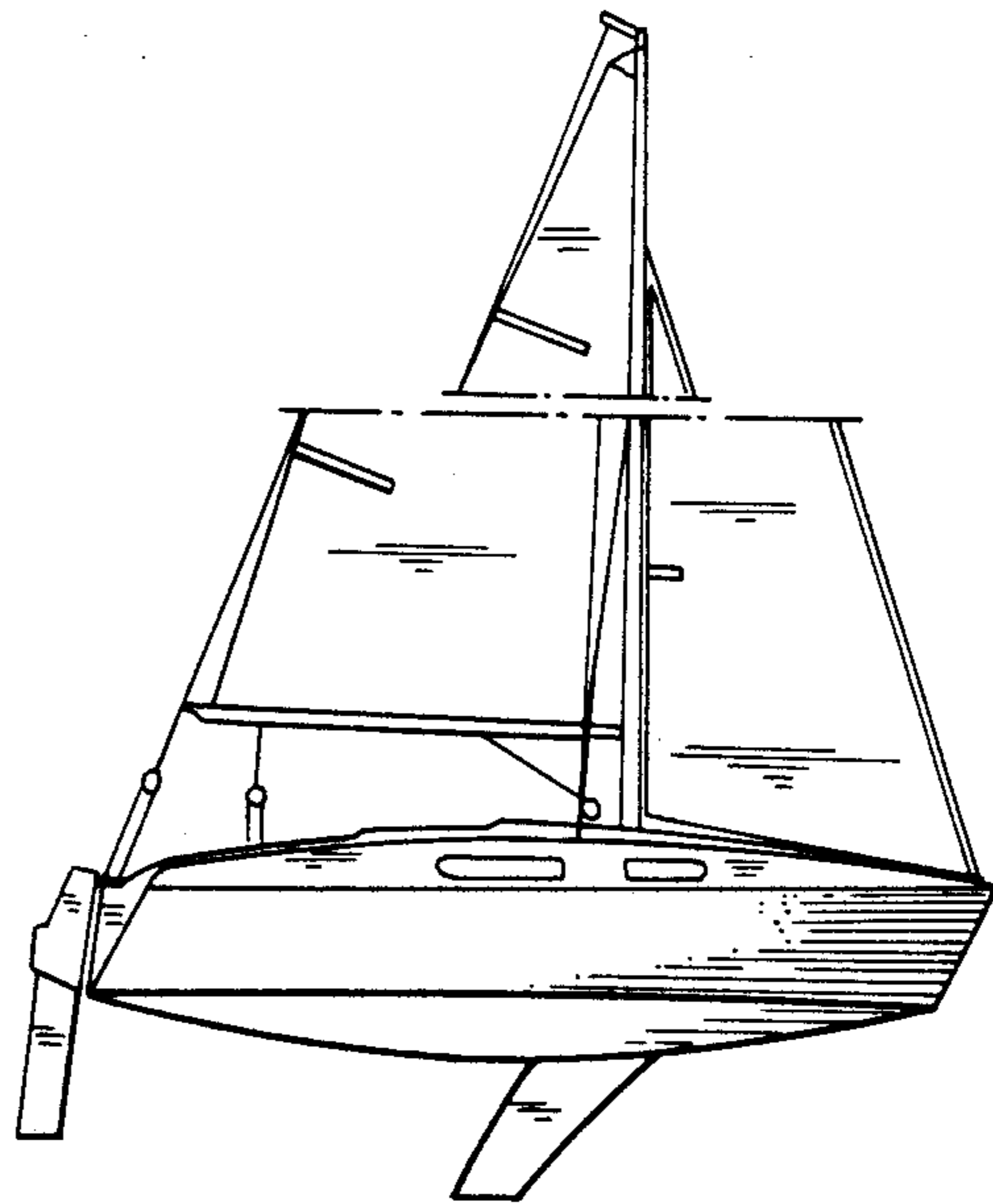


FIG. 2

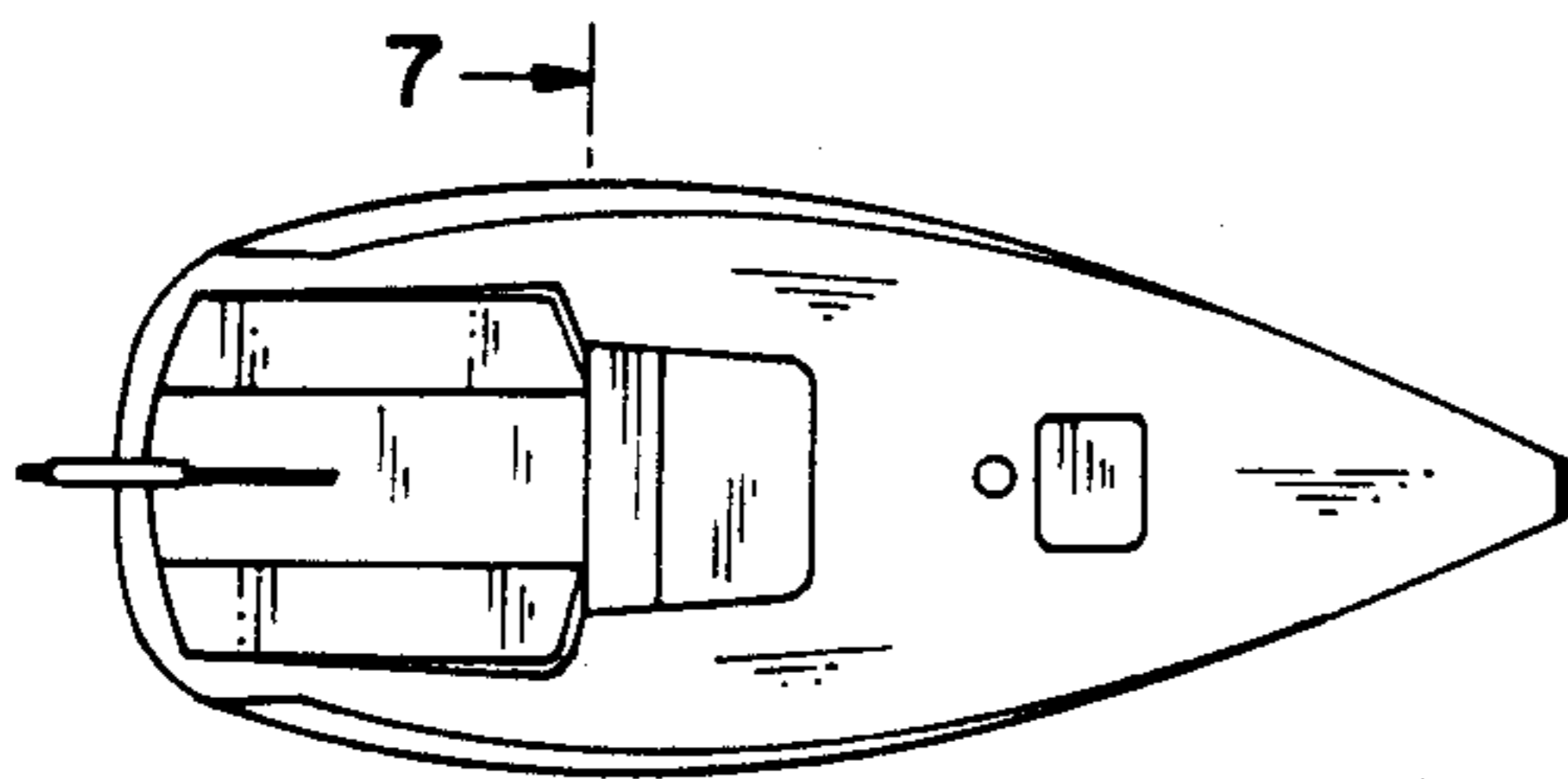


FIG. 3

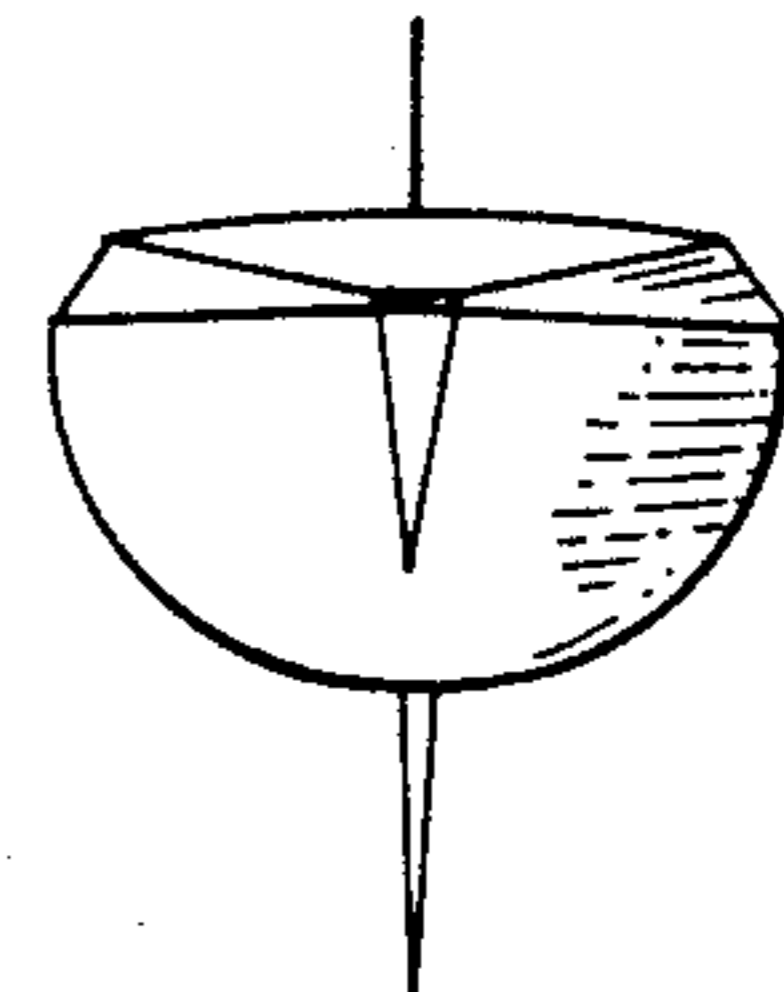


FIG. 5

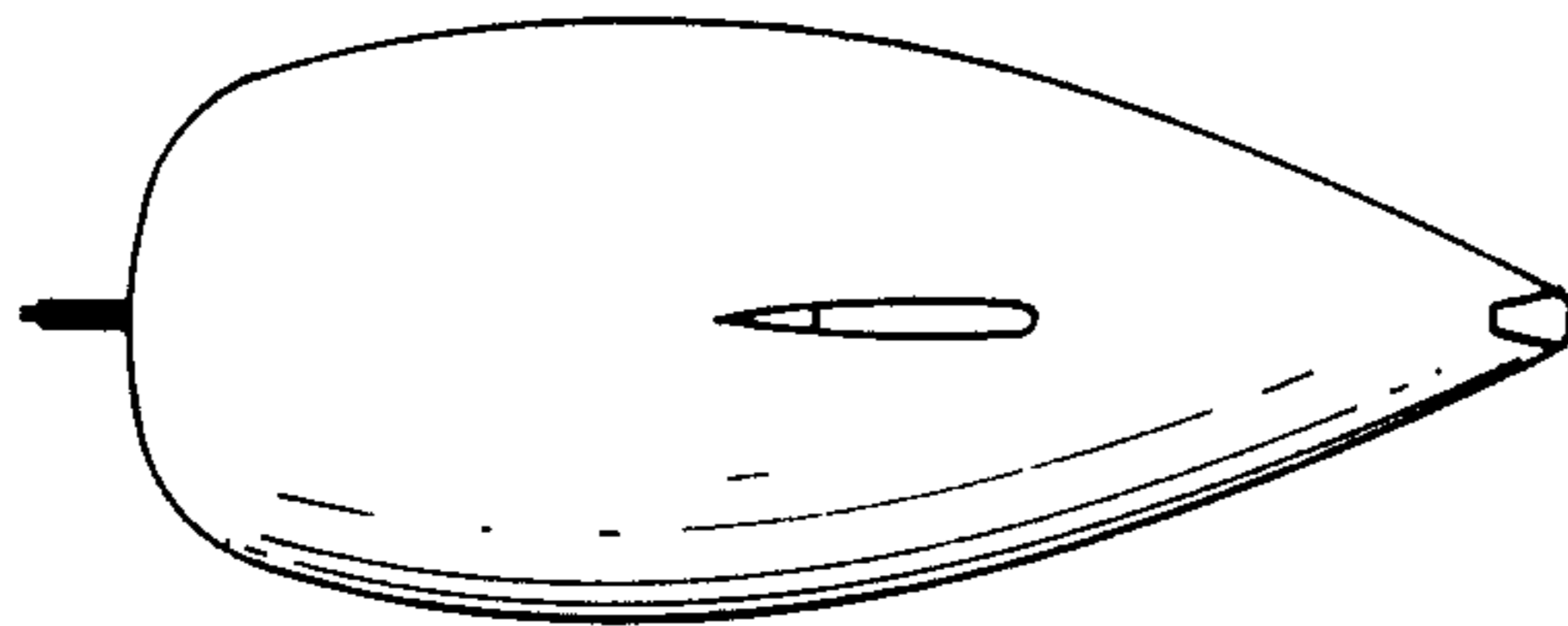


FIG. 4

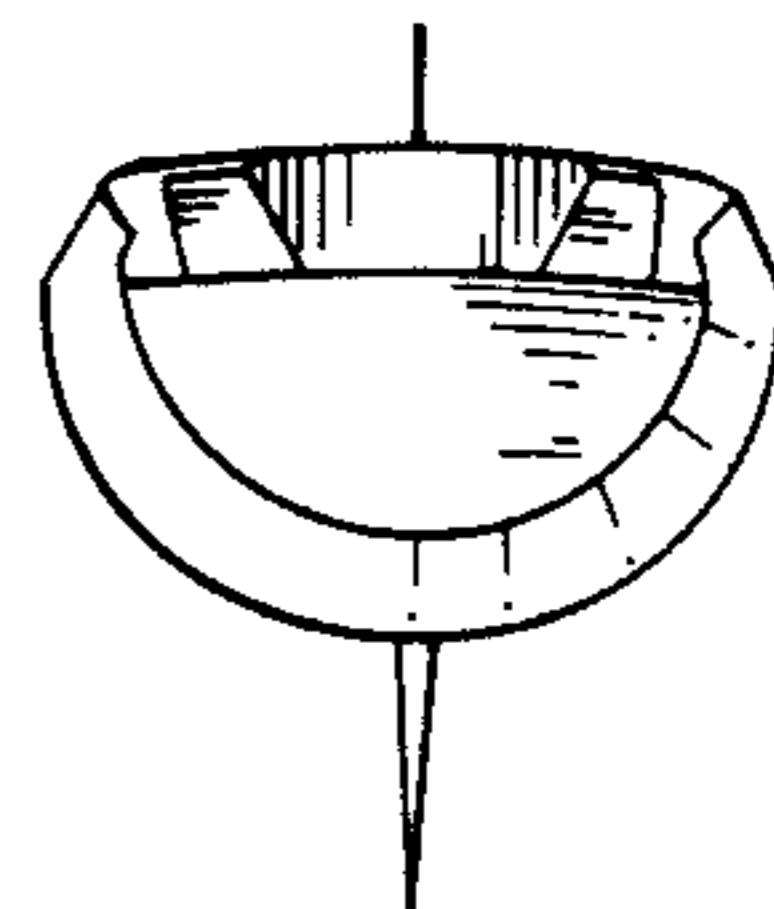


FIG. 6

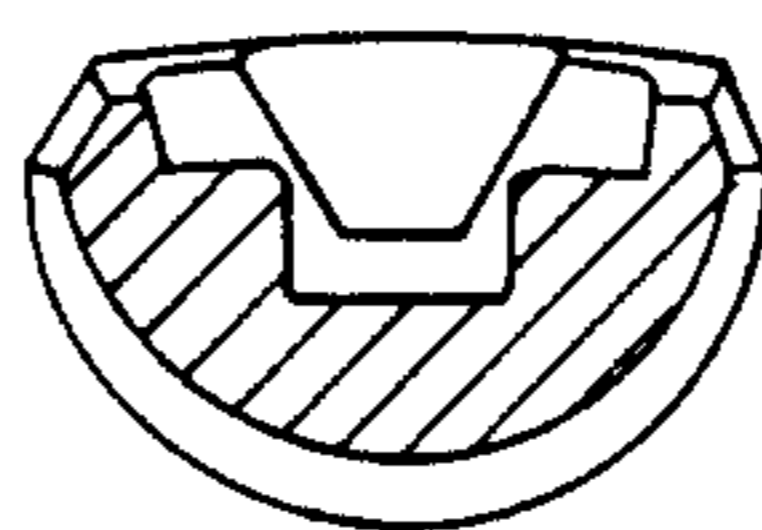


FIG. 7