

[54] **BOAT FENDER**

[75] **Inventor: Shinichi Kajigaya, Kanagawa, Japan**

[73] **Assignee: Bridgestone Corporation, Tokyo, Japan**

[**] **Term: 14 Years**

[21] **Appl. No.: 233,293**

[22] **Filed: Aug. 17, 1988**

[30] **Foreign Application Priority Data**

Feb. 23, 1988 [JP] Japan 63-6834
[52] **U.S. Cl. D12/168**
[58] **Field of Search D12/168, 317; 405/215, 405/212**

[56] **References Cited**

U.S. PATENT DOCUMENTS

3,820,495 6/1974 Ueda 405/215
4,733,992 3/1988 Dehlen 405/215

Primary Examiner—Kay H. Chin
Attorney, Agent, or Firm—Sughrue, Mion, Zinn, Macpeak & Seas

[57] **CLAIM**

The ornamental design for a boat fender, as shown and described.

DESCRIPTION

FIG. 1 is a front, top and left side perspective view of a boat fender showing my new design;
FIG. 2 is a front elevational view thereof;
FIG. 3 is a right side elevational view thereof;
FIG. 4 is a top plan view thereof;
FIG. 5 is a rear elevational view thereof; and
FIG. 6 is a bottom plan view thereof.

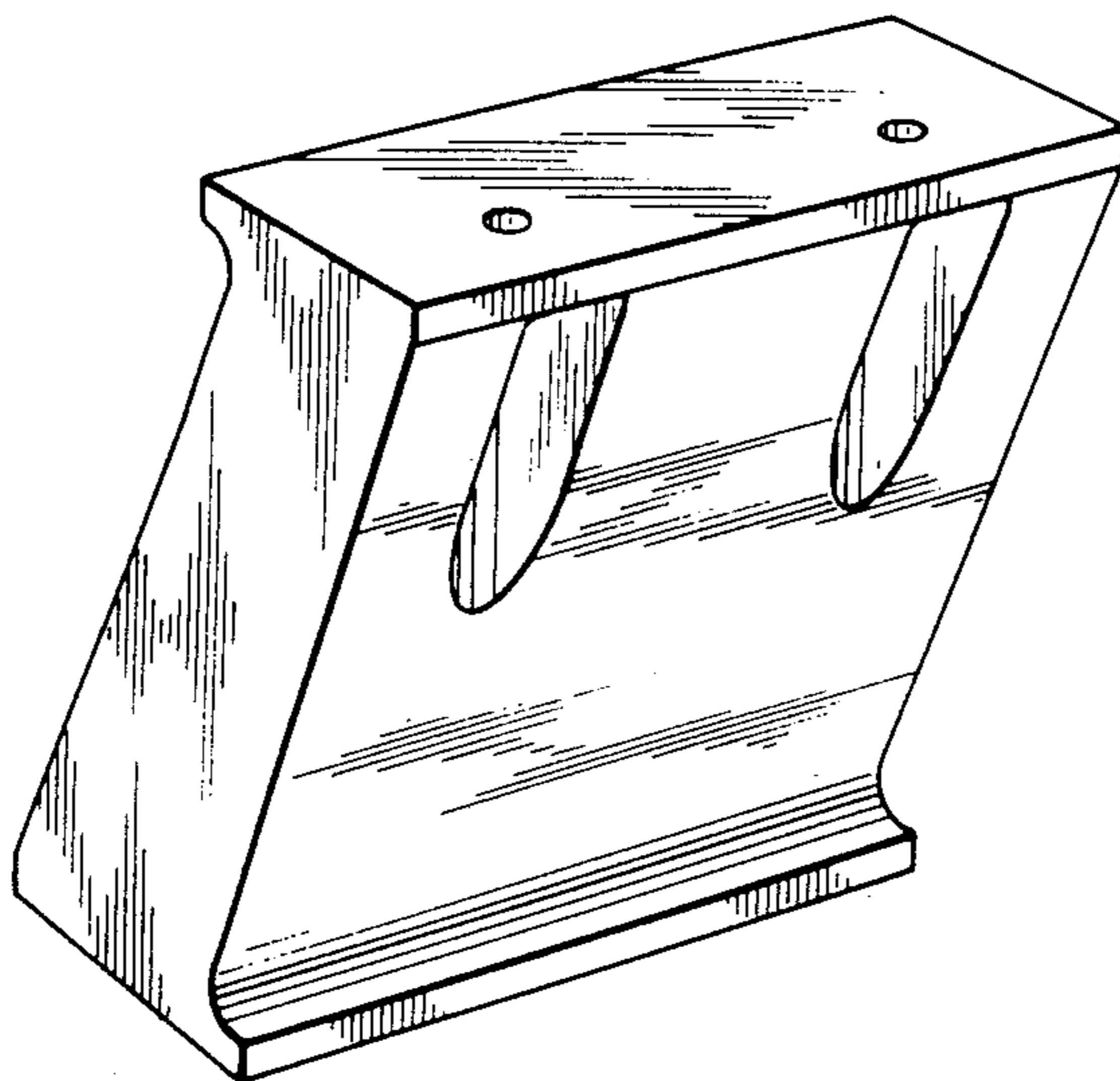


FIG. 1

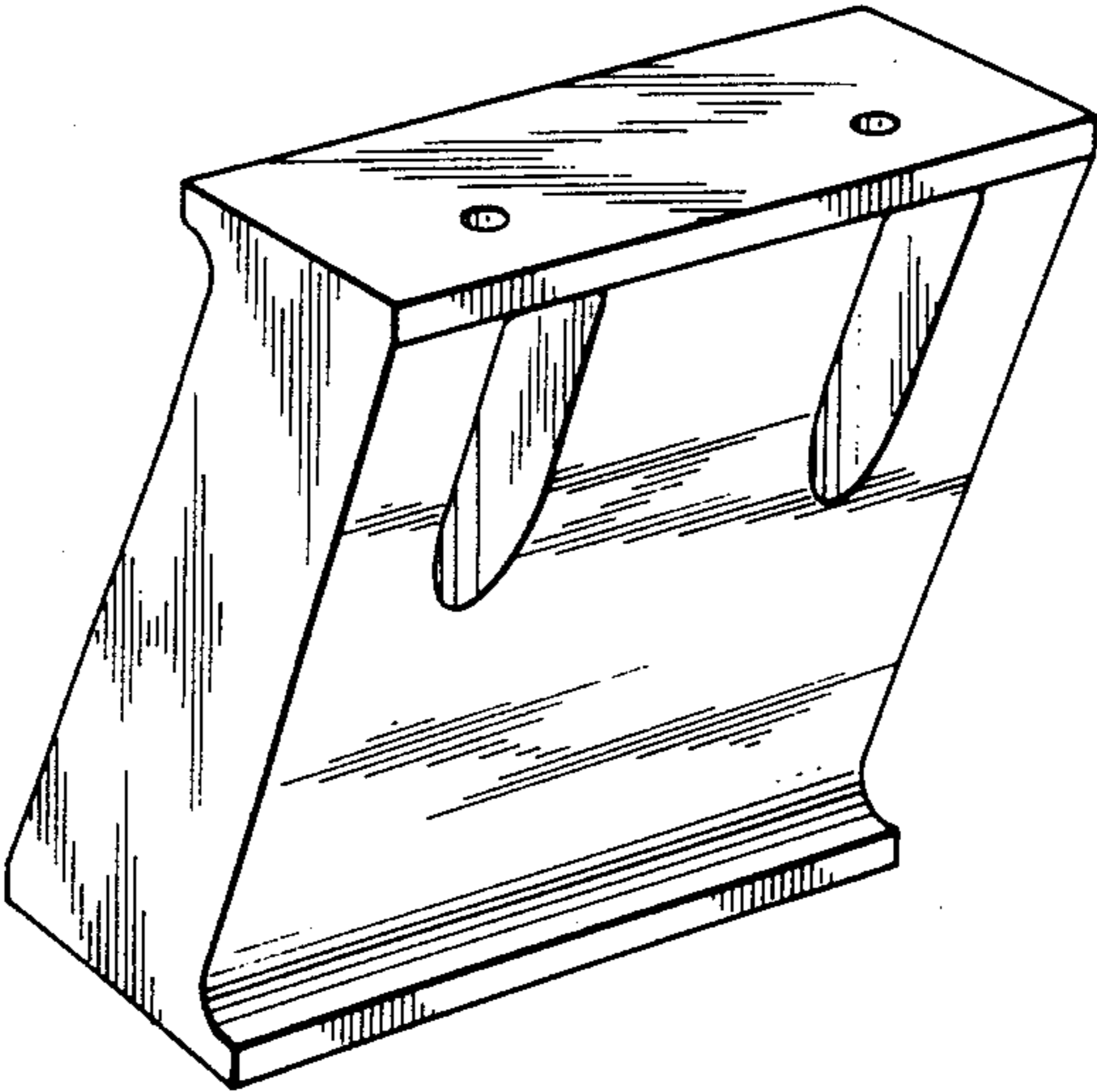


FIG. 2

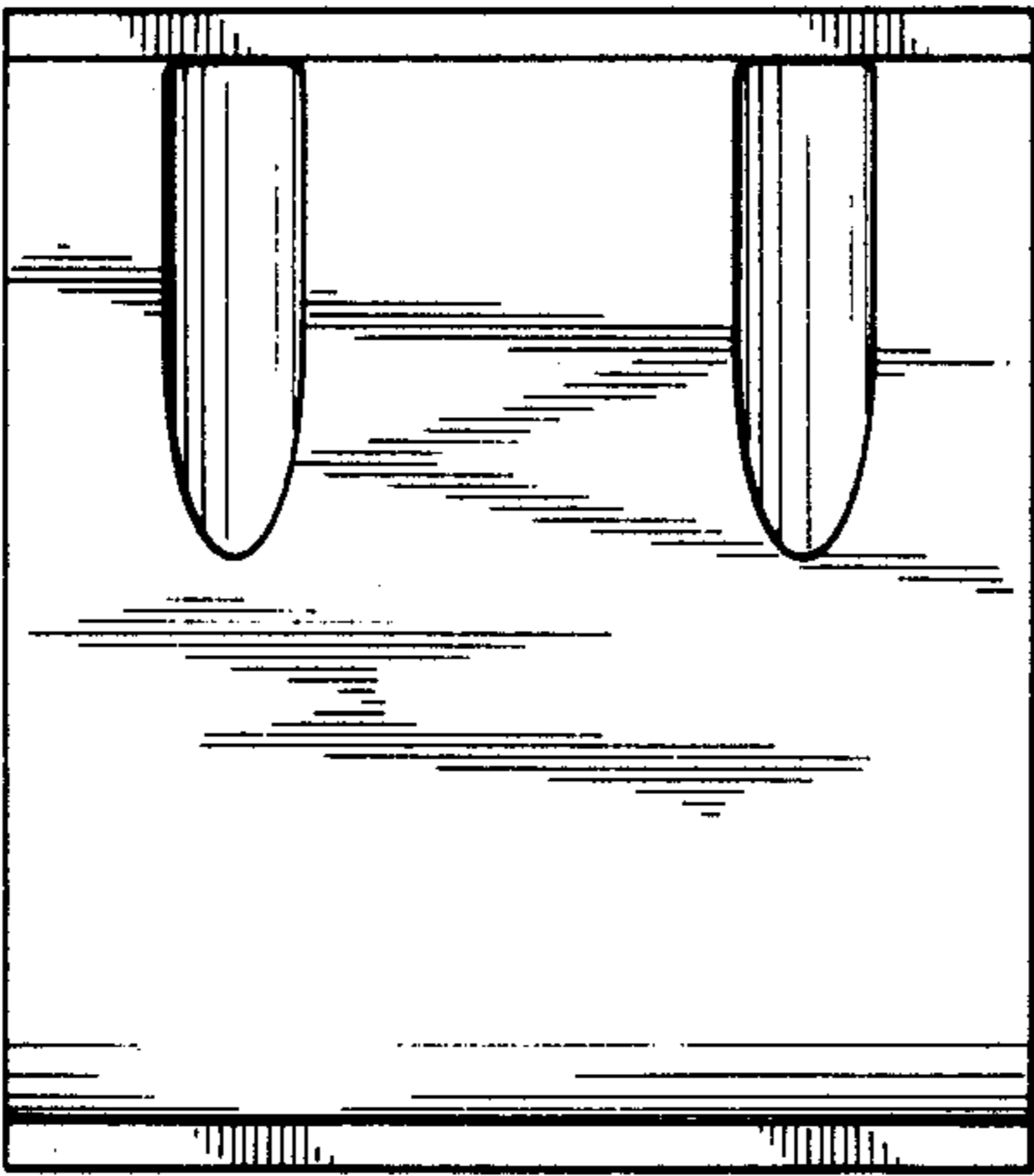


FIG. 3

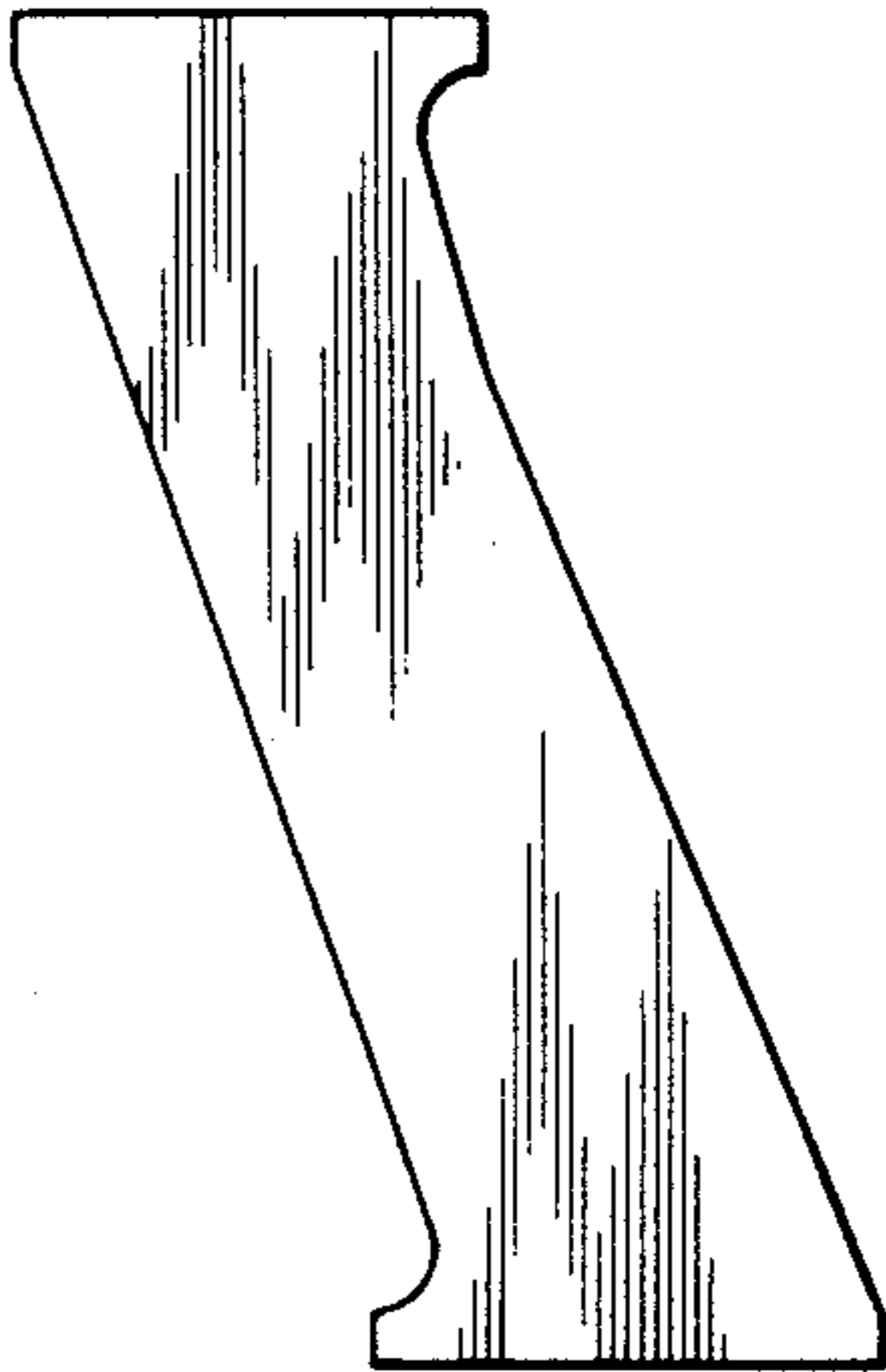


FIG. 4

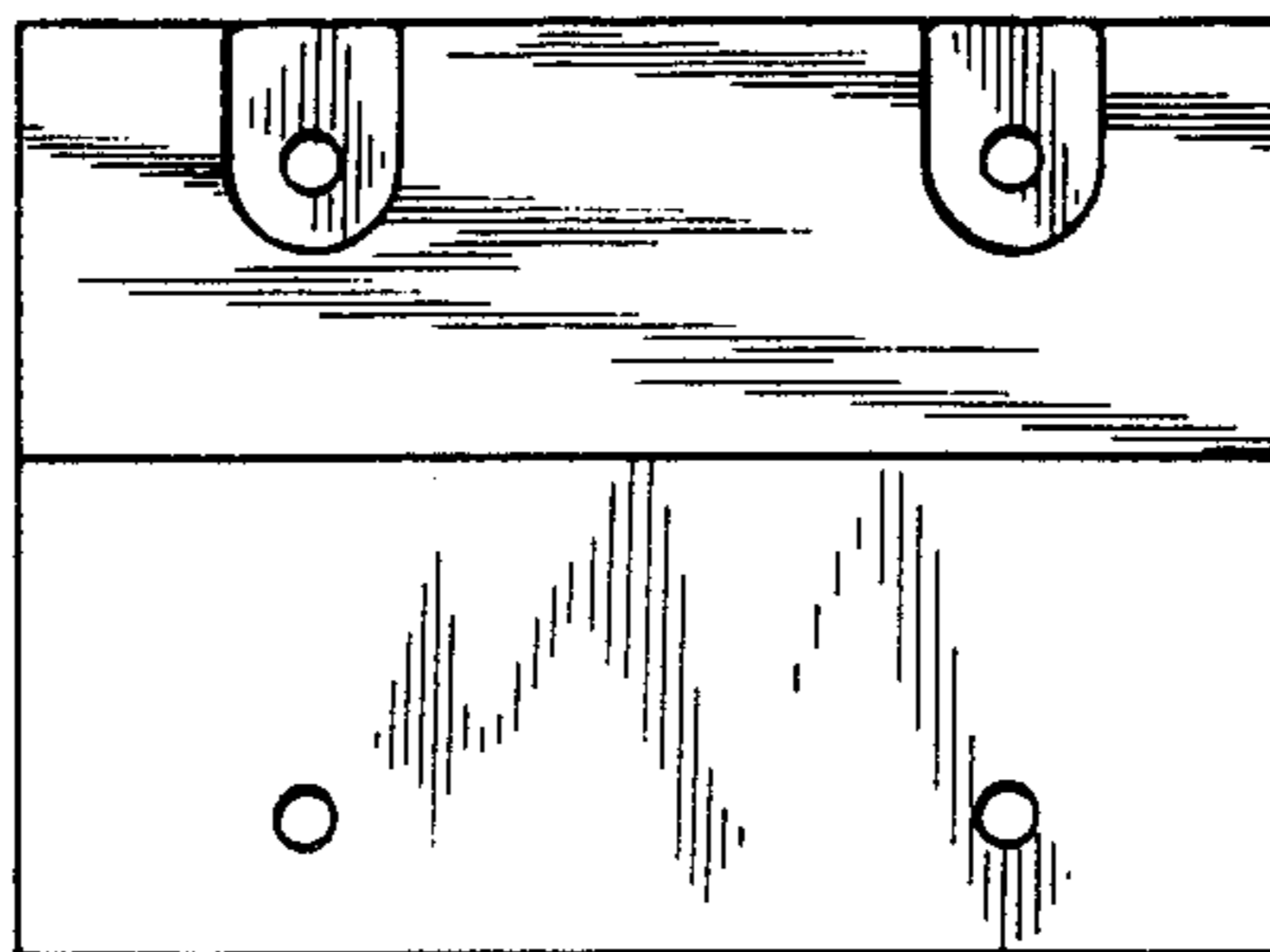


FIG. 5

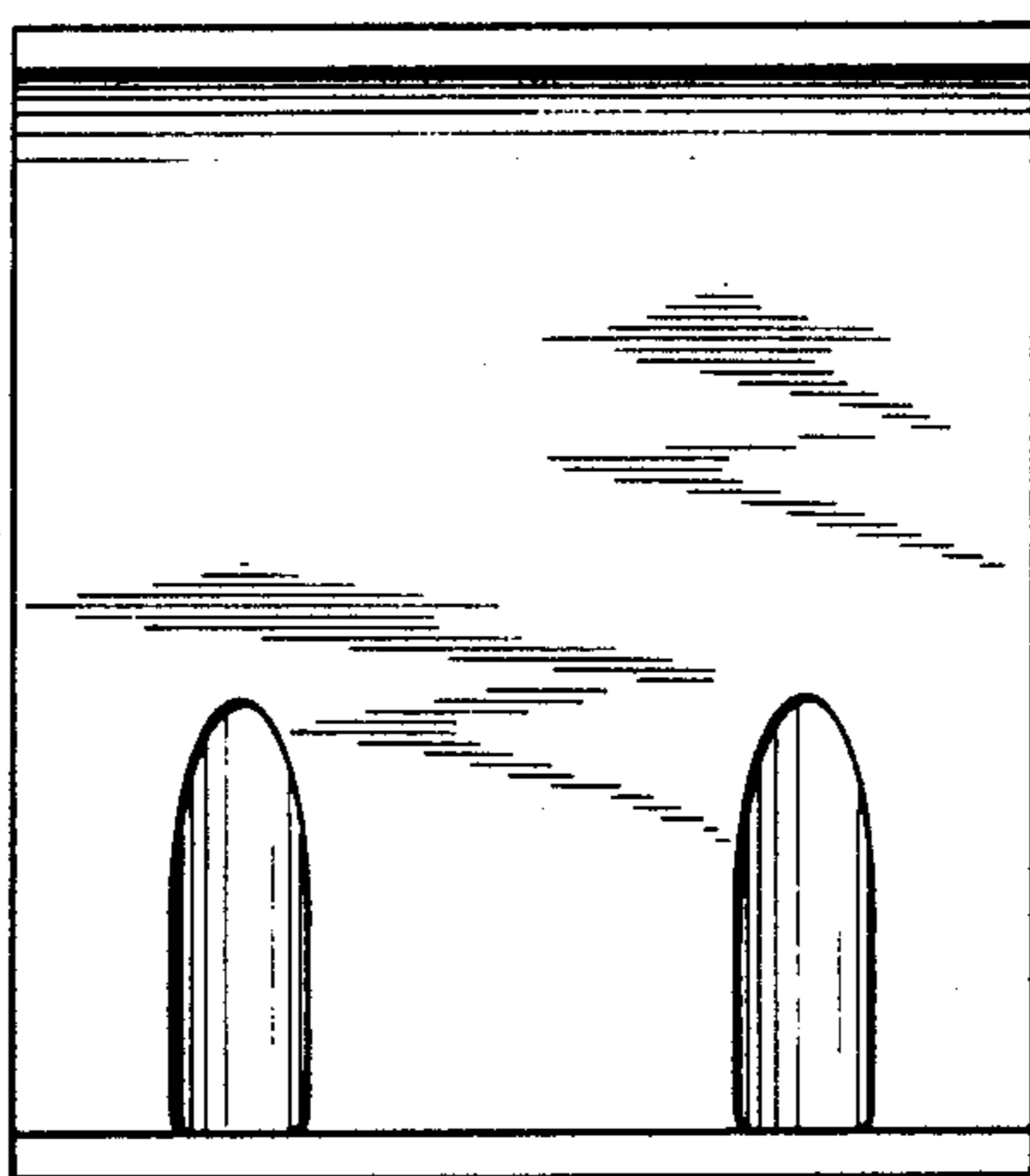


FIG. 6

