

[54] HUB FOR SUPPORTING A TIMEPIECE HAND

[75] Inventors: Keiichi Yoshizawa; Katsuya Moritaka, both of Tokyo, Japan

[73] Assignee: Seikosha Co., Ltd., Japan

[\*\*] Term: 14 Years

[21] Appl. No.: 2,186

[22] Filed: Jan. 12, 1987

[30] Foreign Application Priority Data

Jul. 17, 1986 [JP] Japan ..... 61-28020

[52] U.S. Cl. .... D10/122; D10/127; D10/128

[58] Field of Search ..... D10/1-39, D10/122-132; 368/80, 228, 238

[56] References Cited

U.S. PATENT DOCUMENTS

- D. 154,873 8/1949 Newhouse ..... D10/127
- D. 210,546 3/1968 Klingenberg ..... D10/127
- 781,505 1/1905 Engle ..... 368/238 X
- 3,855,787 12/1974 Assmus ..... 368/238
- 4,693,612 9/1987 Yoshizawa ..... 368/238 X
- 4,693,613 9/1987 Ritchie ..... 368/228 X

FOREIGN PATENT DOCUMENTS

- 550461 4/1922 France ..... 368/238
- 14640 4/1901 Switzerland ..... 368/238

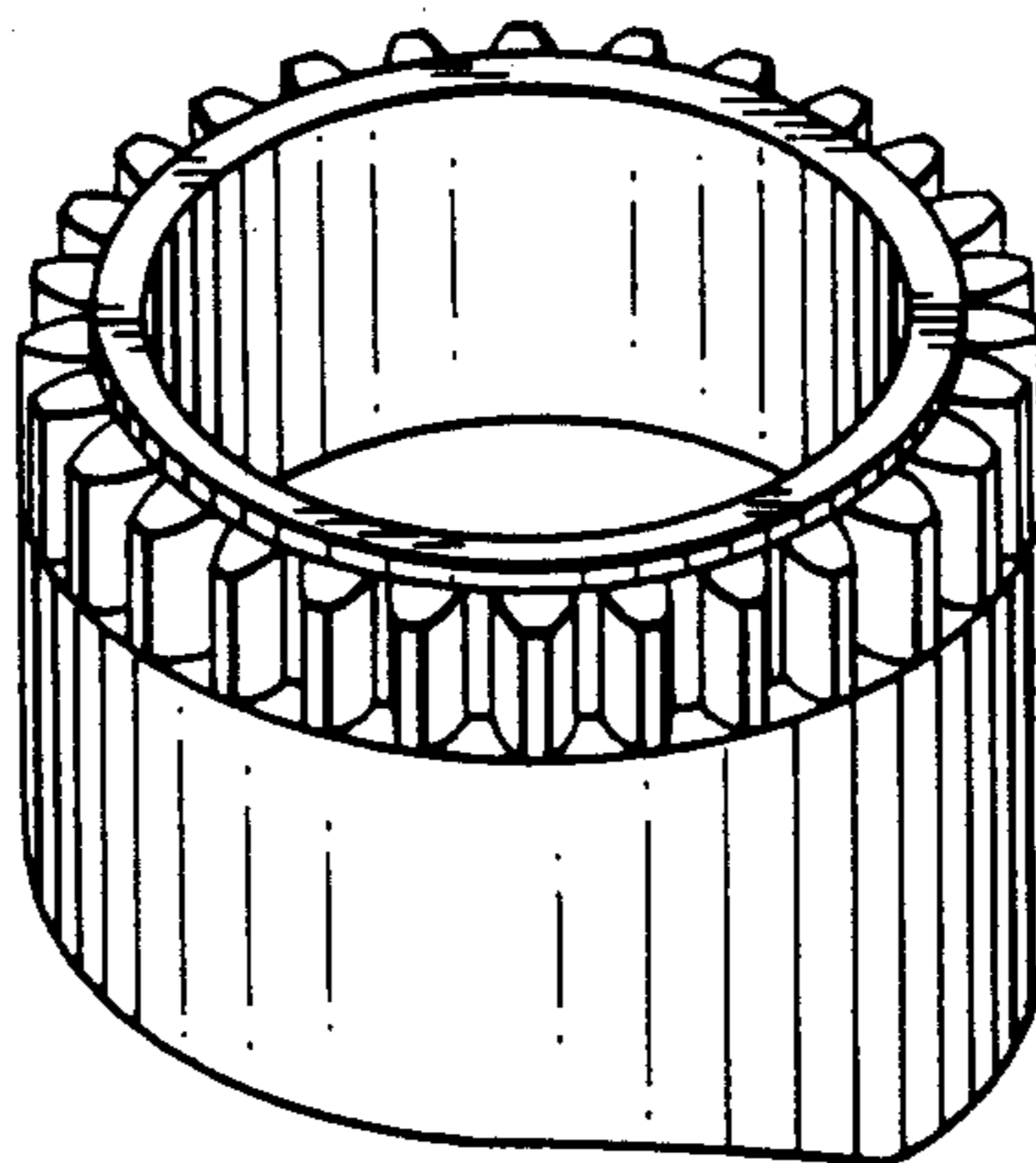
Primary Examiner—Nelson C. Holtje  
Attorney, Agent, or Firm—Bruce L. Adams; Van C. Wilks

[57] CLAIM

The ornamental design for a hub for supporting a timepiece hand, as shown and described.

DESCRIPTION

FIG. 1 is a front elevational view of a hub for supporting a timepiece hand showing our new design; FIG. 2 is a left side elevational view thereof; FIG. 3 is a right side elevational view thereof; FIG. 4 is a rear elevational view thereof; FIG. 5 is a top plan view thereof; and FIG. 6 is a bottom plan view thereof. FIG. 7 is a front and top left perspective view thereof; and FIG. 8 is a rear and bottom right perspective view thereof. The broken-line showings of a hand are environmental only and form no part of the claimed design.



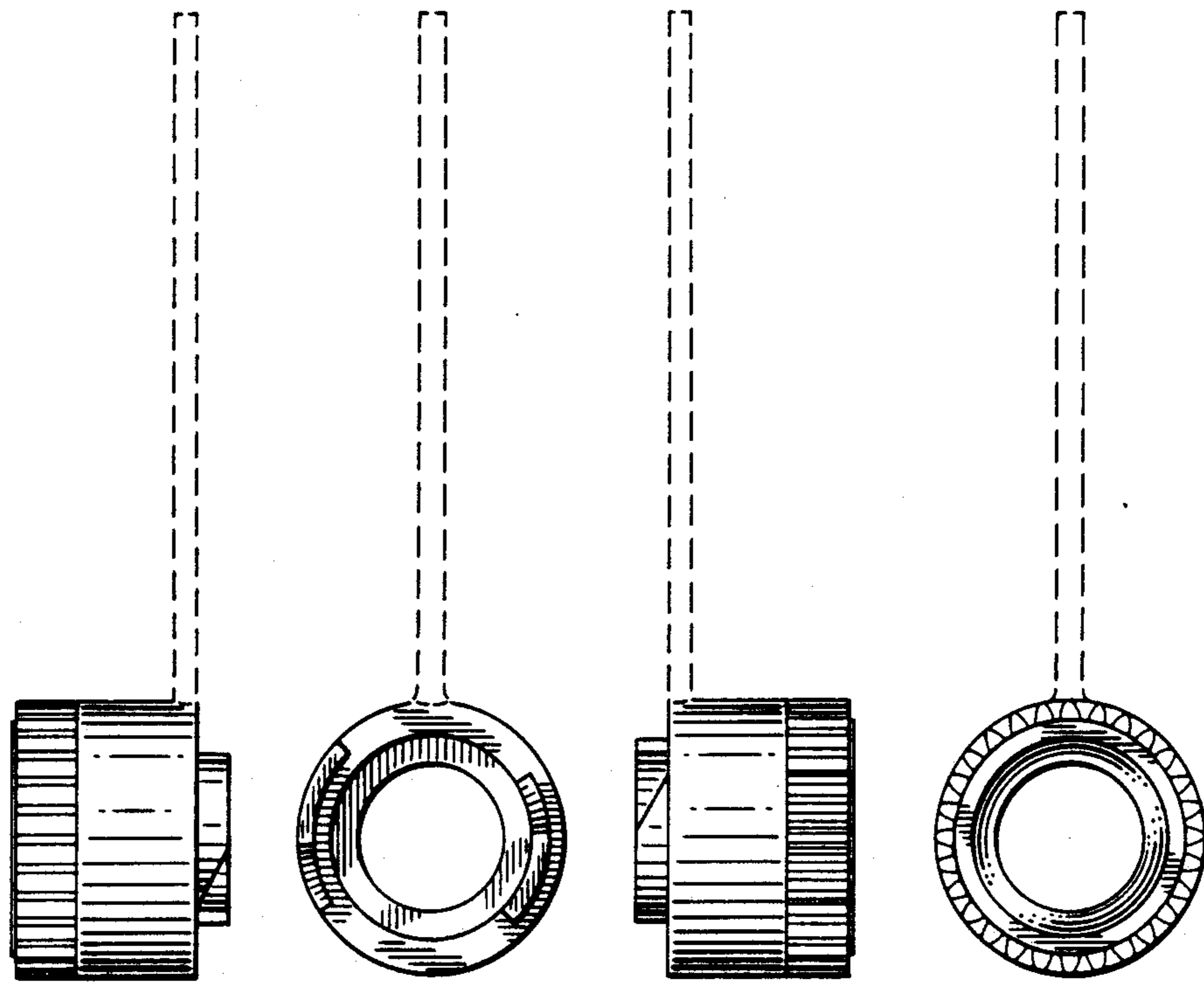


FIG. 2

FIG. 1

FIG. 3

FIG. 4

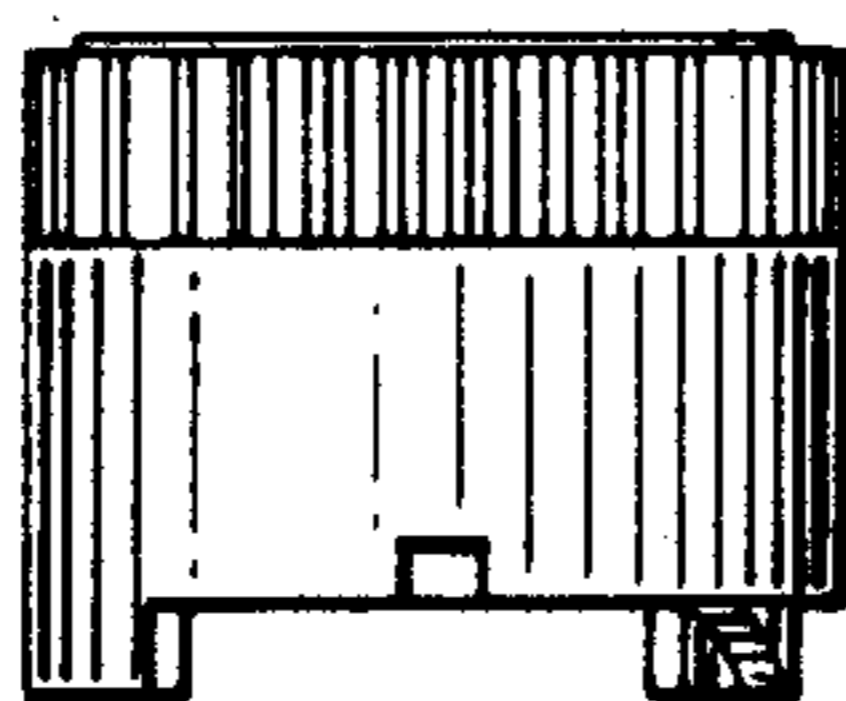


FIG. 5

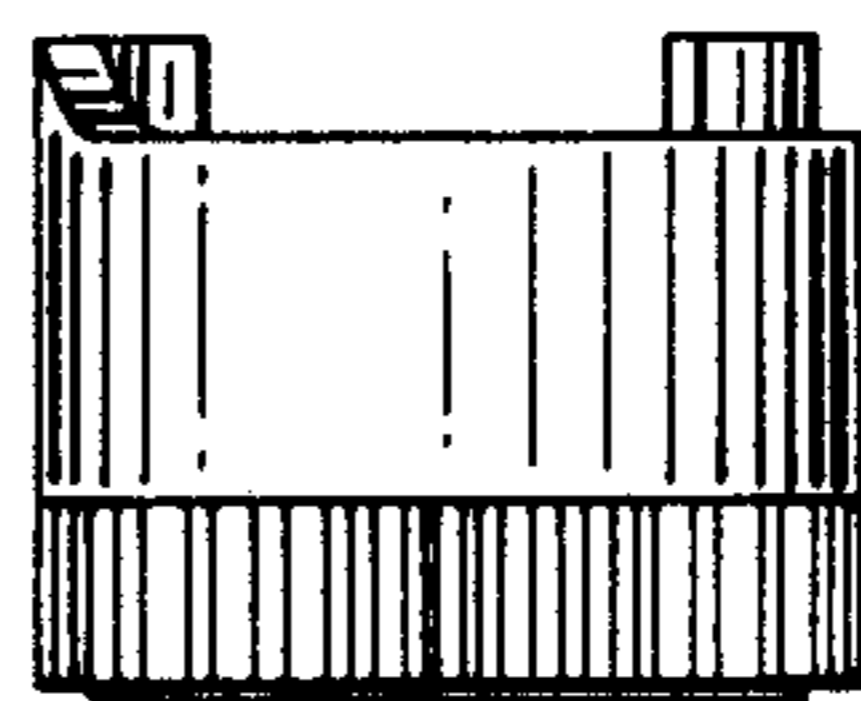
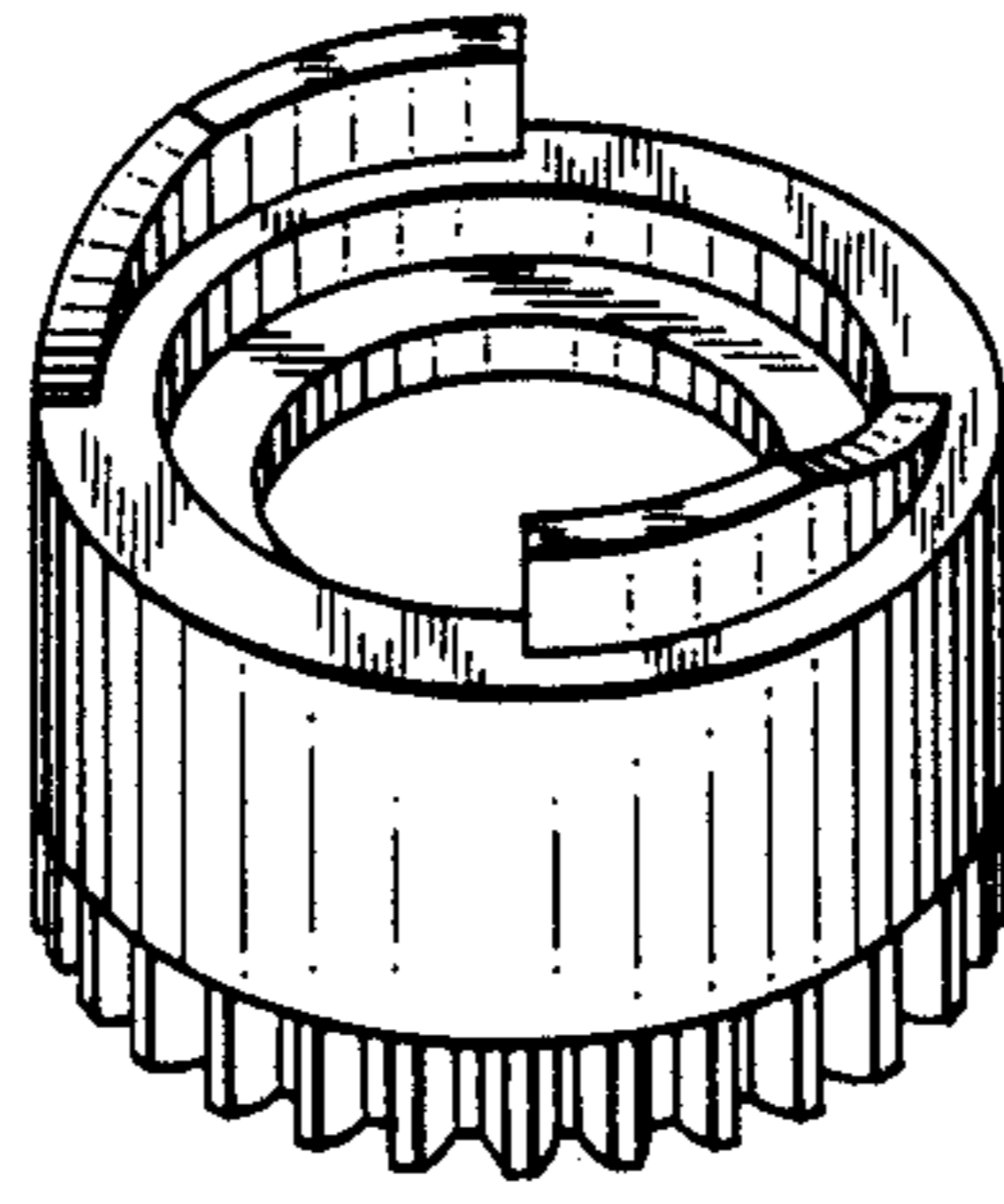
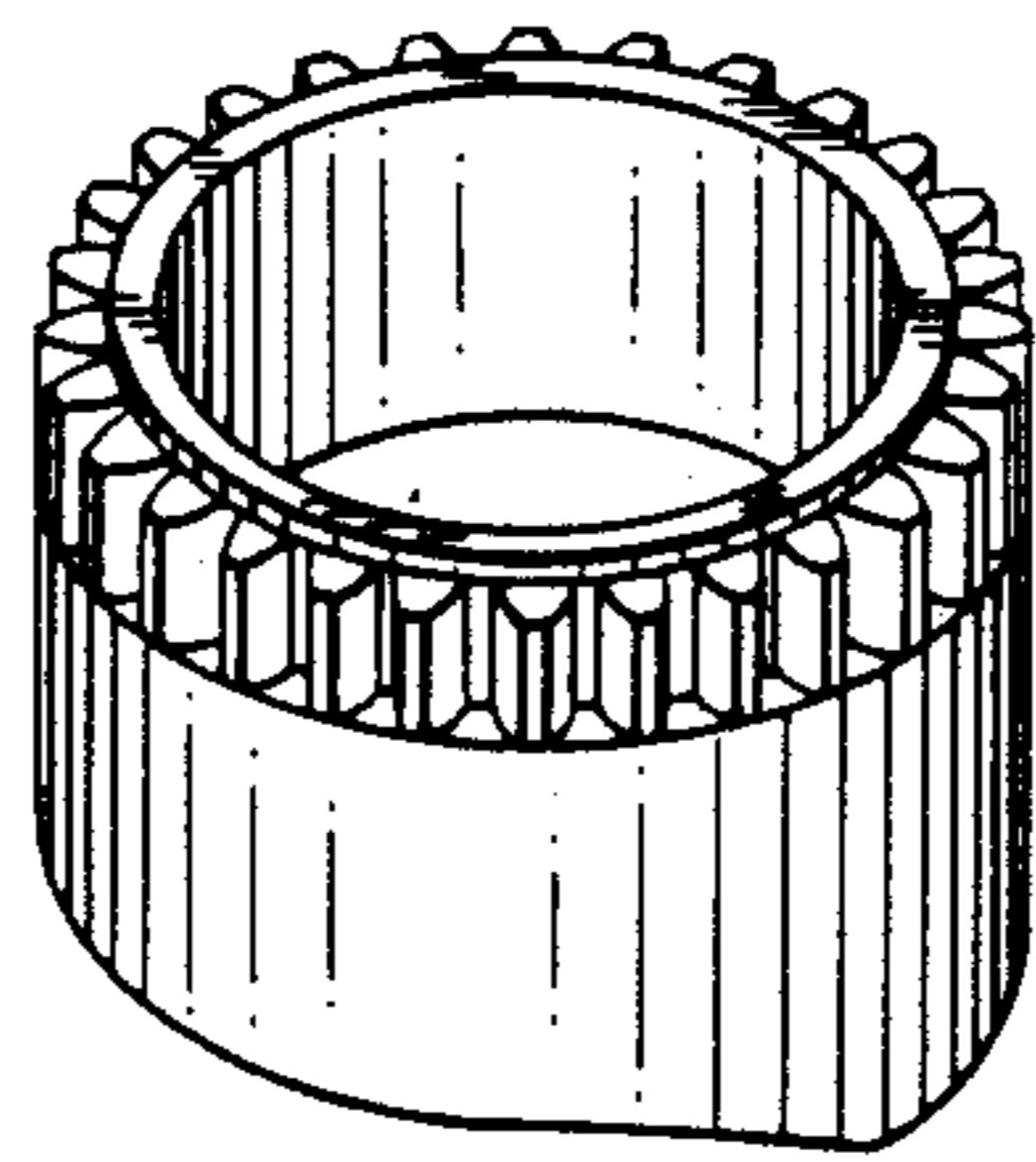


FIG. 6



*FIG. 7*



*FIG. 8*