

[54] **MORTISE MARKING GAUGE**
 [76] **Inventor: John Economaki, 11515 SW. Vacuna Ct., Portland, Oreg. 97219**
 [**] **Term: 14 Years**
 [21] **Appl. No.: 240,231**
 [22] **Filed: Sep. 2, 1988**
 [52] **U.S. Cl. D10/64**
 [58] **Field of Search D10/61, 62, 64, 65, D10/70, 71; 33/42, 44, 197, 574, 577, 579, 666, 667, 668, 669, 670, 671, 672, 673, 674, 675, 676, 677, 678, 679**

1,117,597 11/1914 Osterg 33/44

OTHER PUBLICATIONS

Highland Hardware 1988 Catalog, p. 38.
 Woodcraft 1987-1988 Catalog, p. 40.

Primary Examiner—Nelson C. Holtje
Assistant Examiner—Antoine D. Davis
Attorney, Agent, or Firm—Kilpatrick & Cody

[56] **References Cited**
U.S. PATENT DOCUMENTS

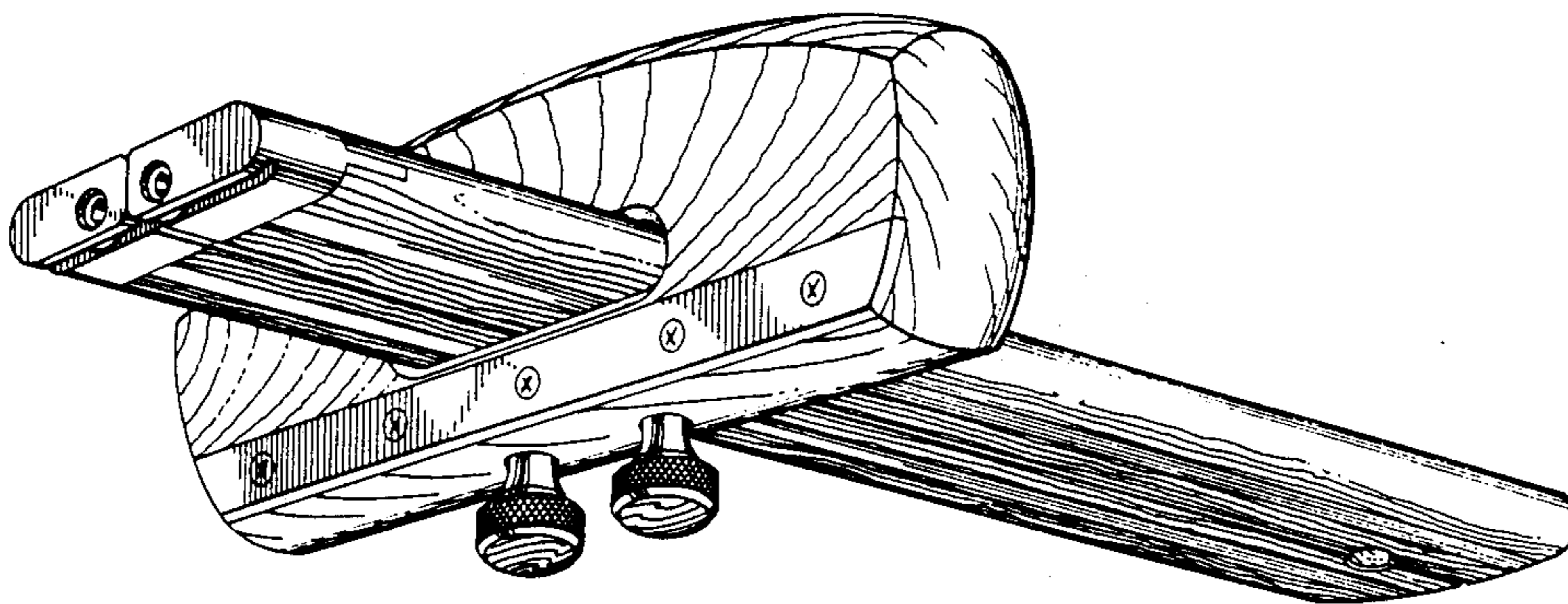
D. 160,541	10/1950	Rippon	D10/70 X
41,867	3/1864	Sholl	33/44
146,075	12/1873	Jennings et al.	33/42
242,096	3/1881	James	33/44
299,635	6/1884	Forrest	33/44
826,618	7/1906	Small	33/44
868,114	10/1907	Obermeyer	33/44

[57] **CLAIM**

The ornamental design for a mortise marking gauge, as shown and described.

DESCRIPTION

FIG. 1 is a bottom, front, and right side perspective view of a mortise marking gauge showing my new design;
 FIG. 2 is a front elevational view;
 FIG. 3 is a rear elevational view;
 FIG. 4 is a right side elevational view;
 FIG. 5 is a bottom plan view;
 FIG. 6 is a left side elevational view; and
 FIG. 7 is a top plan view thereof.



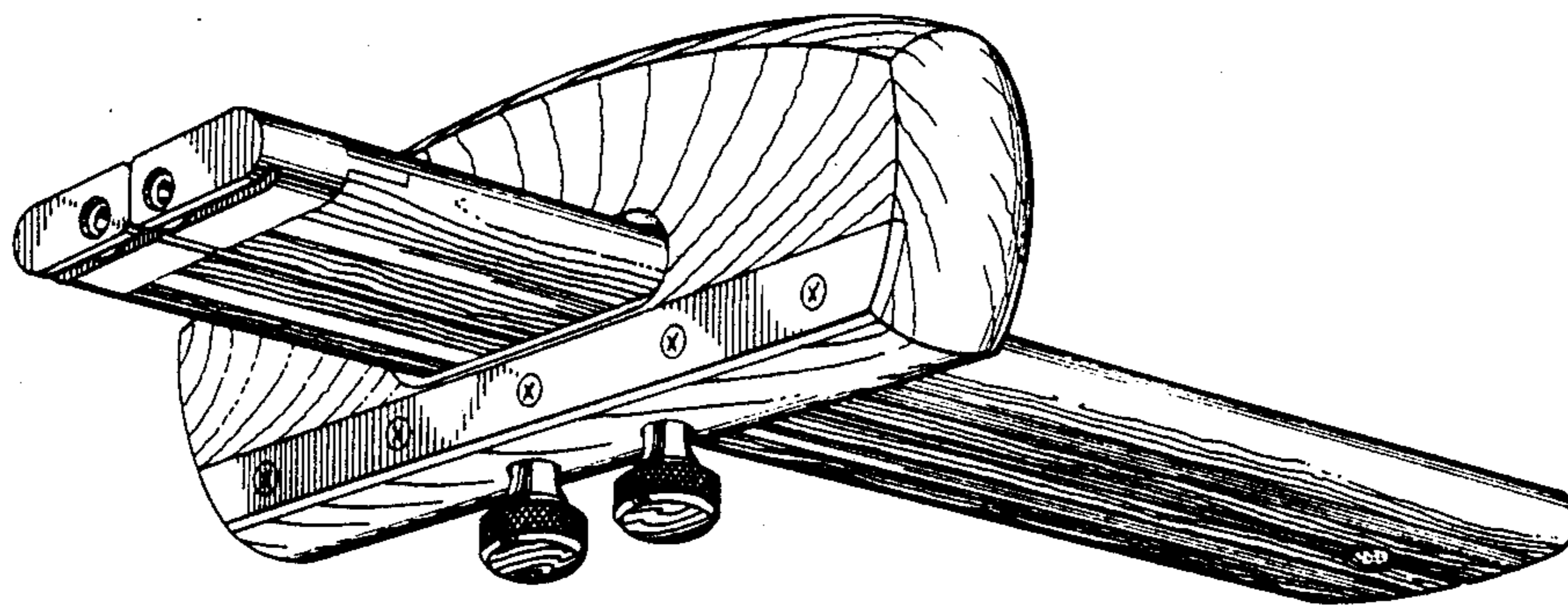


FIG 1

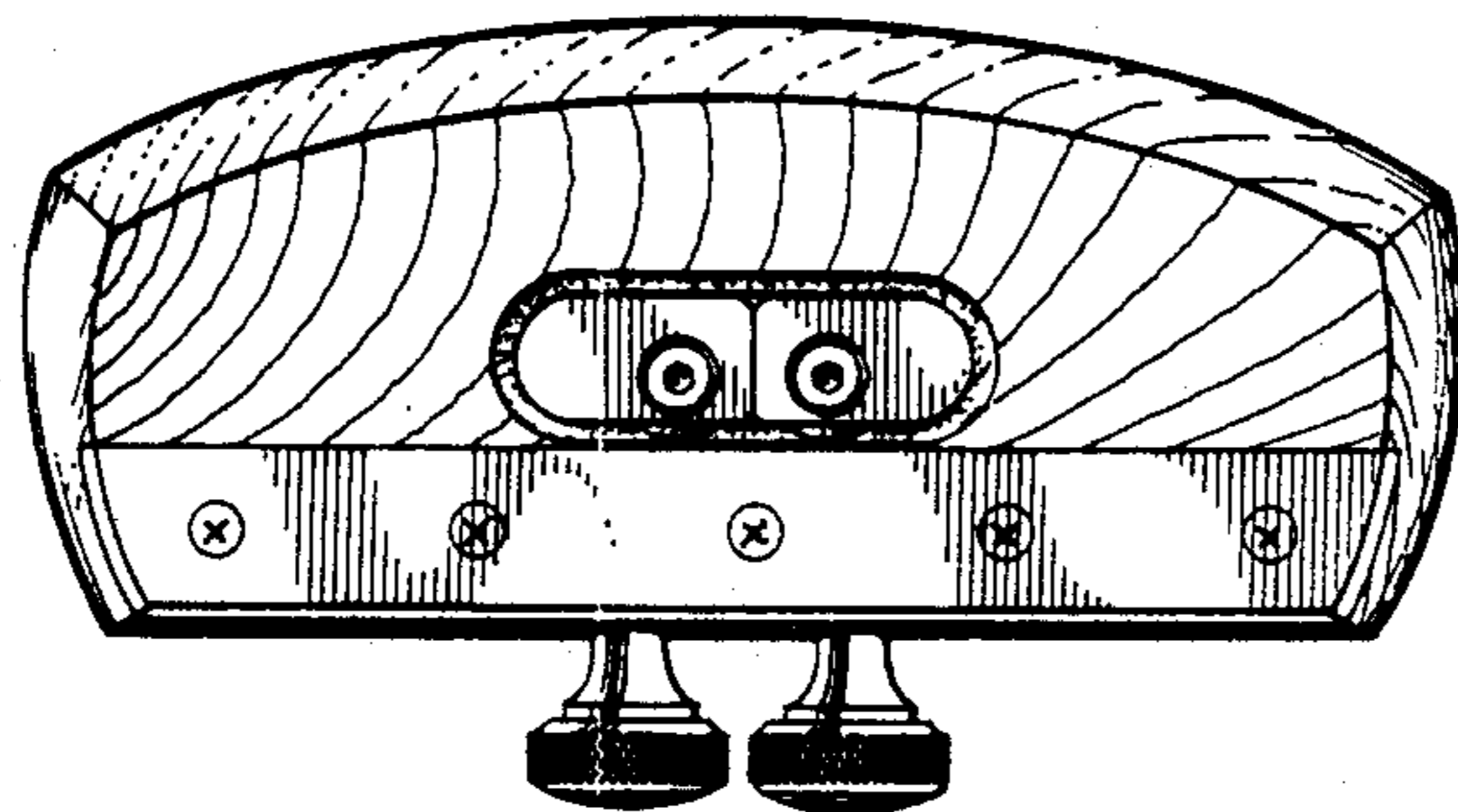


FIG 2

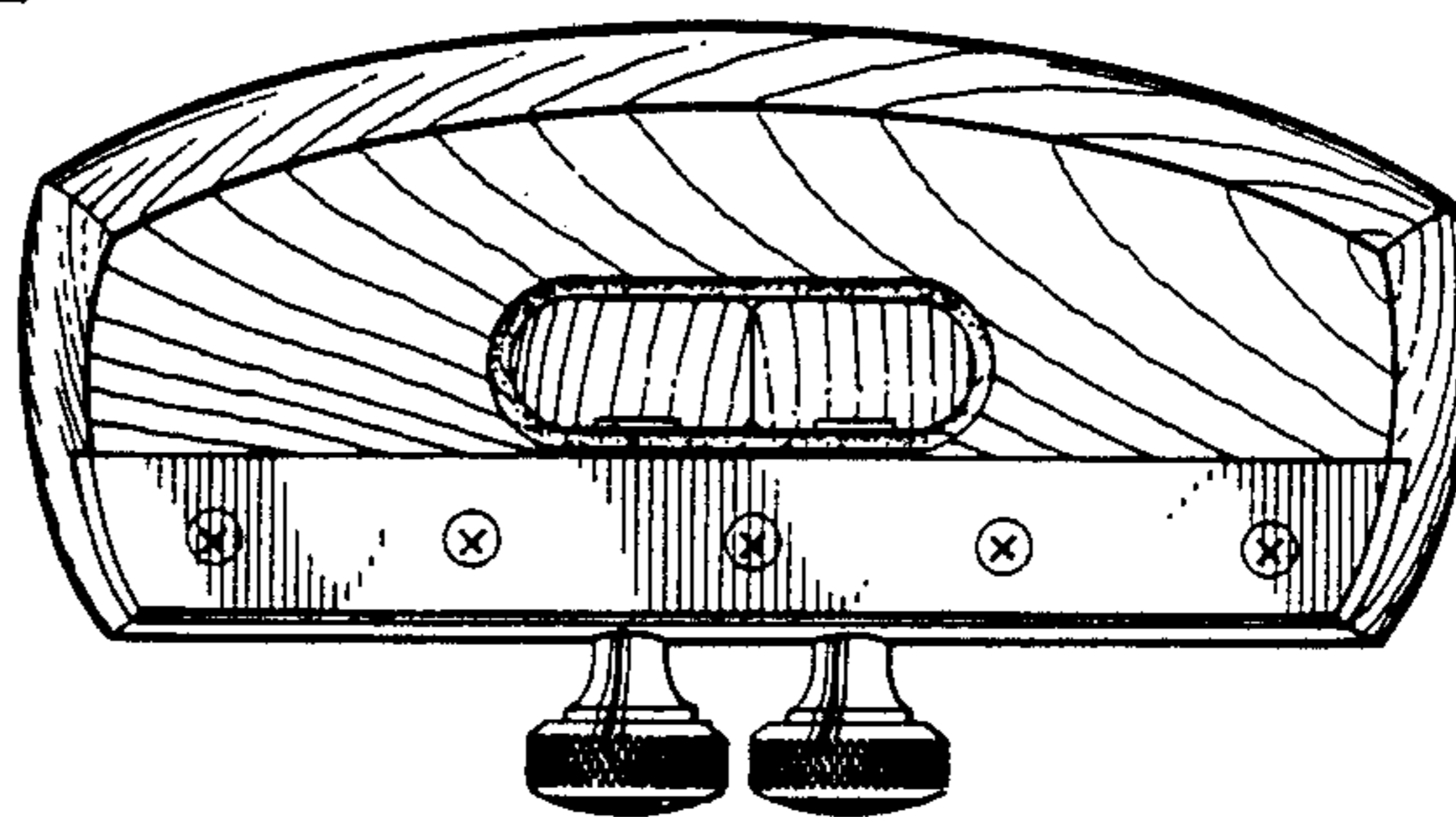


FIG 3

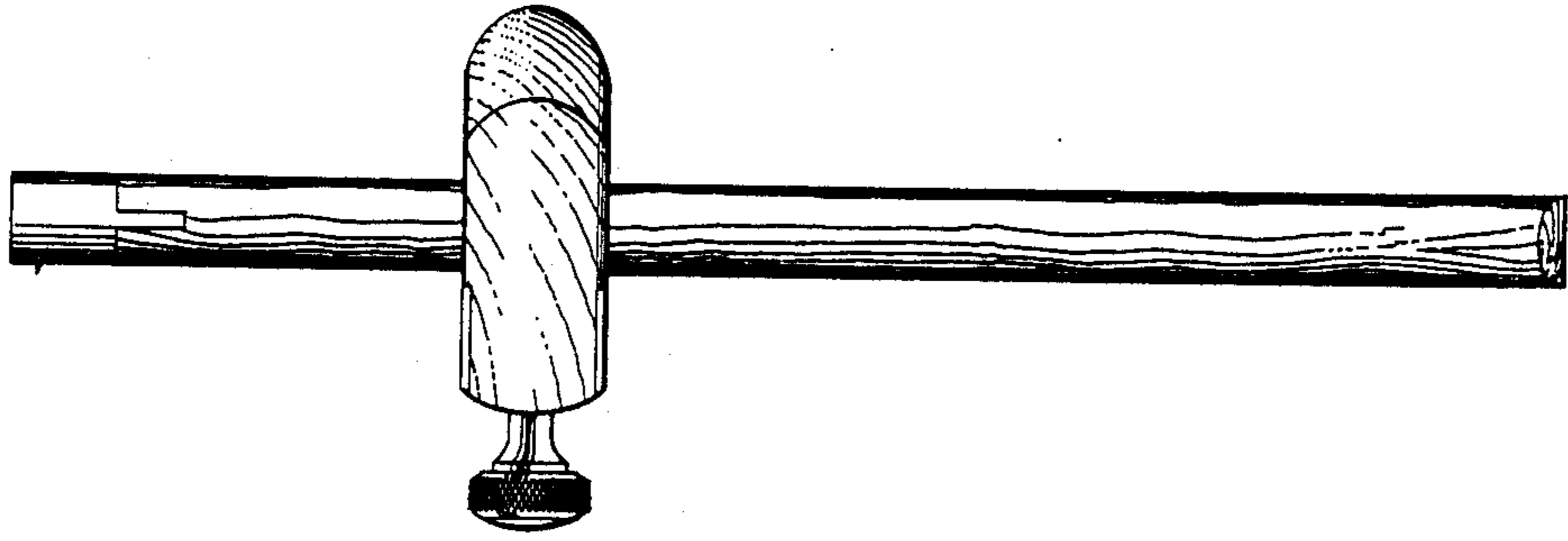


FIG 4

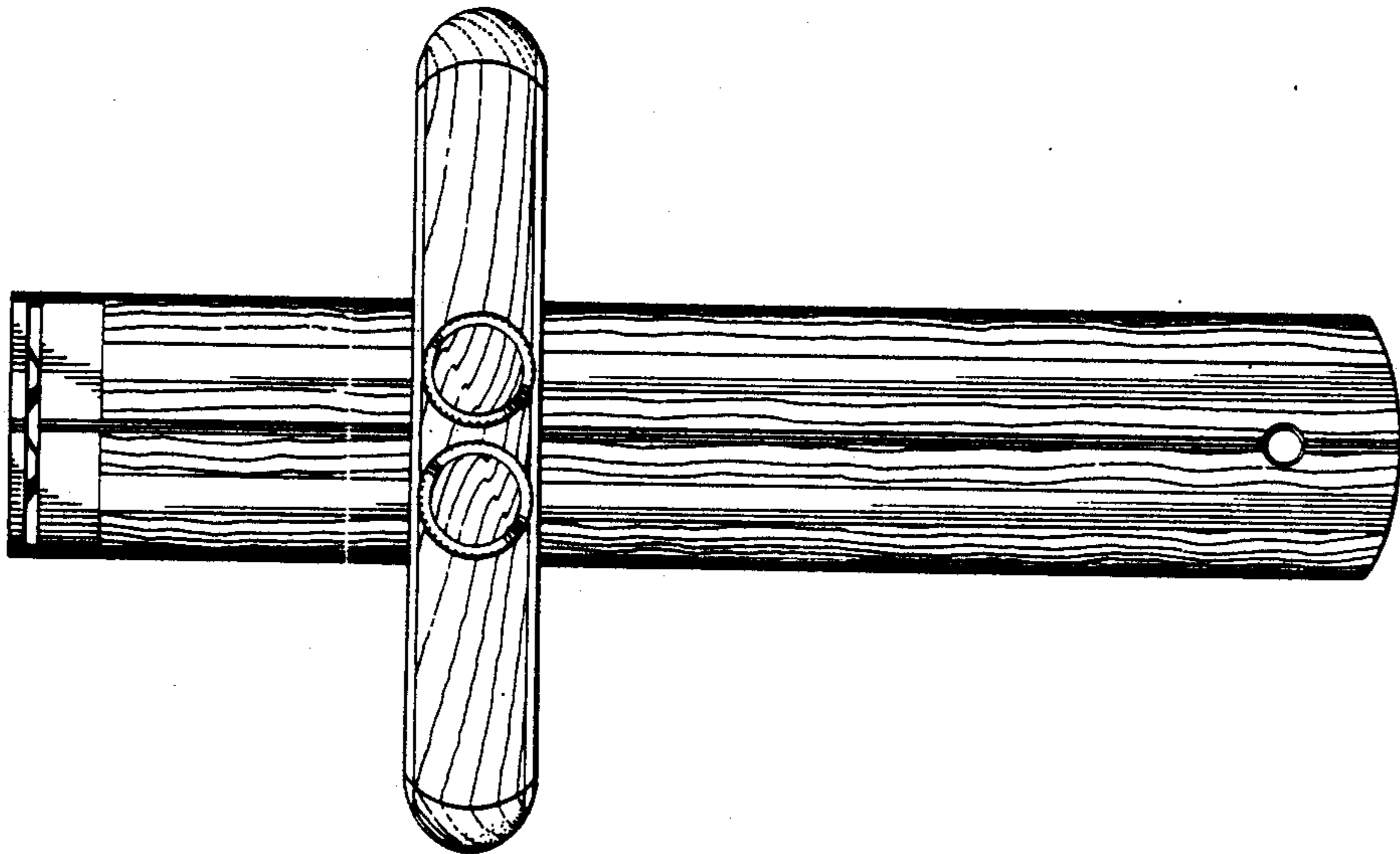


FIG 5

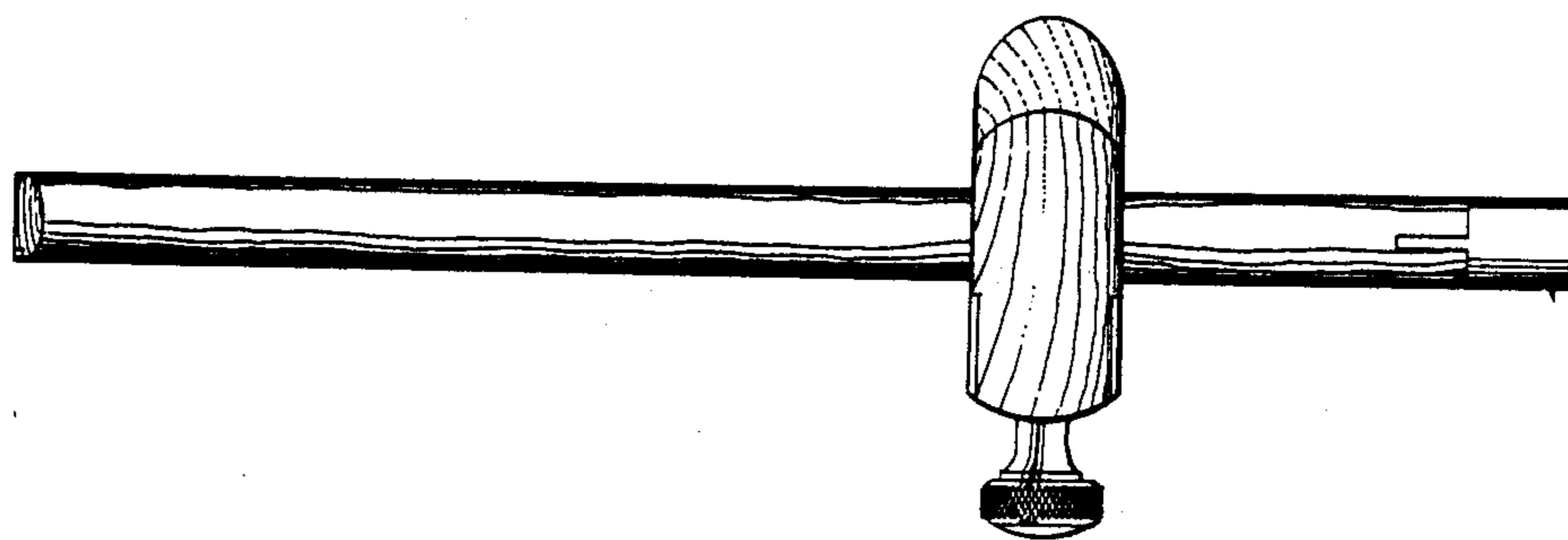


FIG 6

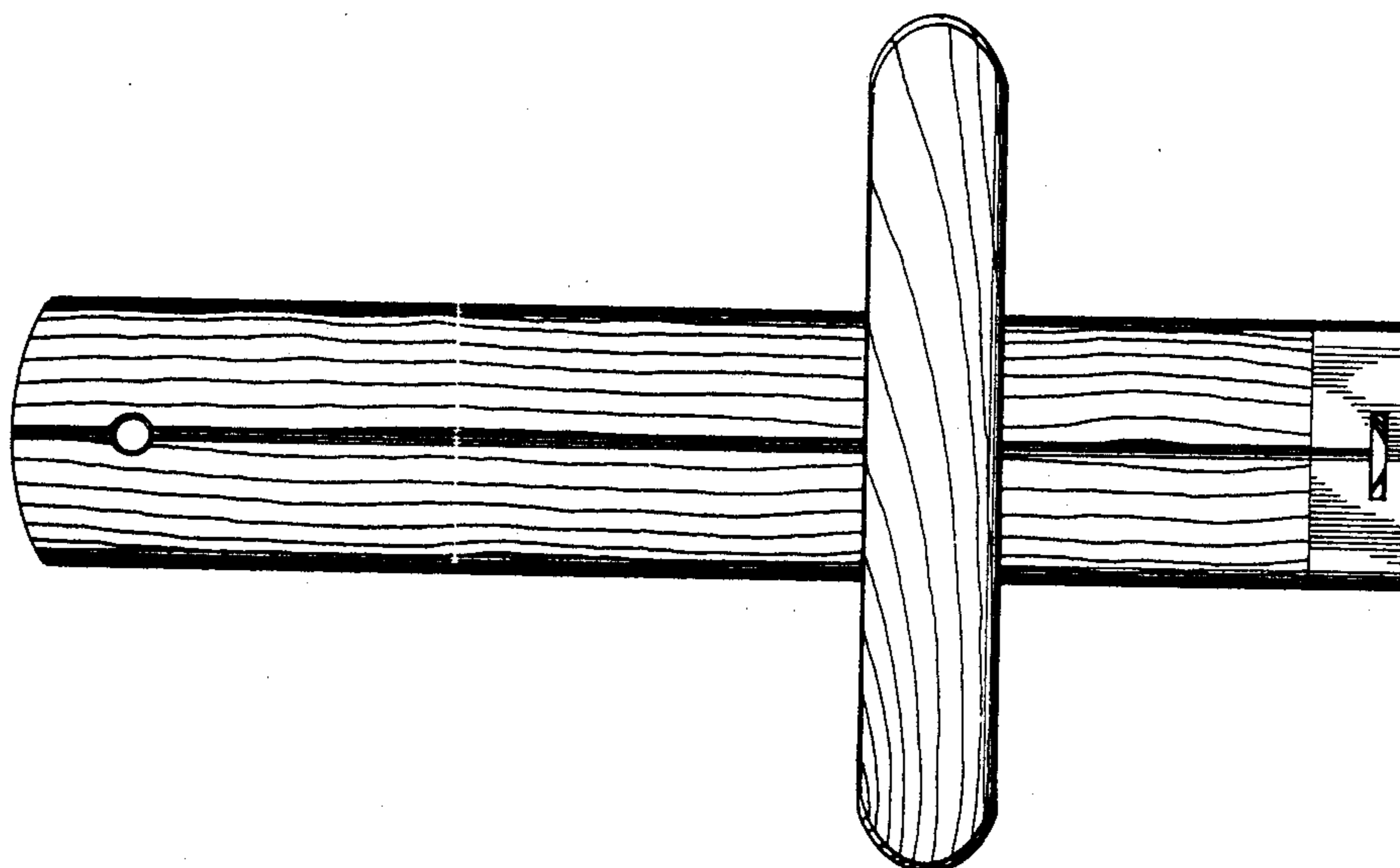


FIG 7