

[54] PACKAGE FOR A DISPOSABLE CAMERA

[75] Inventor: Takuya Arai, Tokyo, Japan

[73] Assignee: Fuji Photo Film Co., Ltd., Kanagawa, Japan

[**] Term: 14 Years

[21] Appl. No.: 195,957

[22] Filed: May 17, 1988

[30] Foreign Application Priority Data

Dec. 18, 1987 [JP]	Japan	62-51716
Dec. 18, 1987 [JP]	Japan	62-51717
Jan. 13, 1988 [JP]	Japan	63-954
Jan. 13, 1988 [JP]	Japan	63-955
Jan. 13, 1988 [JP]	Japan	63-956
Jan. 13, 1988 [JP]	Japan	63-957
Feb. 27, 1988 [JP]	Japan	63-7915
Feb. 27, 1988 [JP]	Japan	63-7916

[52] U.S. Cl. D9/432; D16/200; D16/208; D9/418

[58] Field of Search D9/307, 414, 415, 432; D14/121; D16/200, 218; 206/316.2, 455, 456; 150/165; 224/908; 354/174, 126, 400, 275, 288, 219, 75

[56] References Cited

U.S. PATENT DOCUMENTS

D. 29,376 9/1898 Brownell D16/200

D. 73,750	11/1927	Lehr	D16/218
D. 74,211	1/1928	Bornmann	D16/218
D. 83,021	1/1931	Teague	D16/218
D. 247,852	5/1978	Fukuda	D16/209
D. 252,996	9/1979	Wolley	16/208
D. 259,492	6/1981	Swayze	D16/209
D. 273,683	5/1984	Hendren et al.	D16/208
D. 284,654	7/1986	Sandell et al.	D14/121
D. 291,579	8/1987	Ito et al.	D16/218 X
2,072,625	3/1937	Rose	D14/121 X
2,699,100	1/1955	Simjian	354/75 X
3,538,822	11/1970	Gilmer	354/75
4,077,041	2/1978	Imura	354/288

Primary Examiner—Bernard Ansher
Assistant Examiner—Prabhakar Deshmukh
Attorney, Agent, or Firm—Young & Thompson

[57] CLAIM

The ornamental design for a package for a disposable camera, as shown and described.

DESCRIPTION

FIG. 1 is a perspective view of a package for a disposable camera showing my new design;
FIG. 2 is a front elevational view thereof;
FIG. 3 is a rear elevational view thereof;
FIG. 4 is a top plan view thereof;
FIG. 5 is a bottom plan view thereof;
FIG. 6 is an end elevational view thereof from the right of FIG. 2; and
FIG. 7 is an end elevational view thereof from the left of FIG. 2.

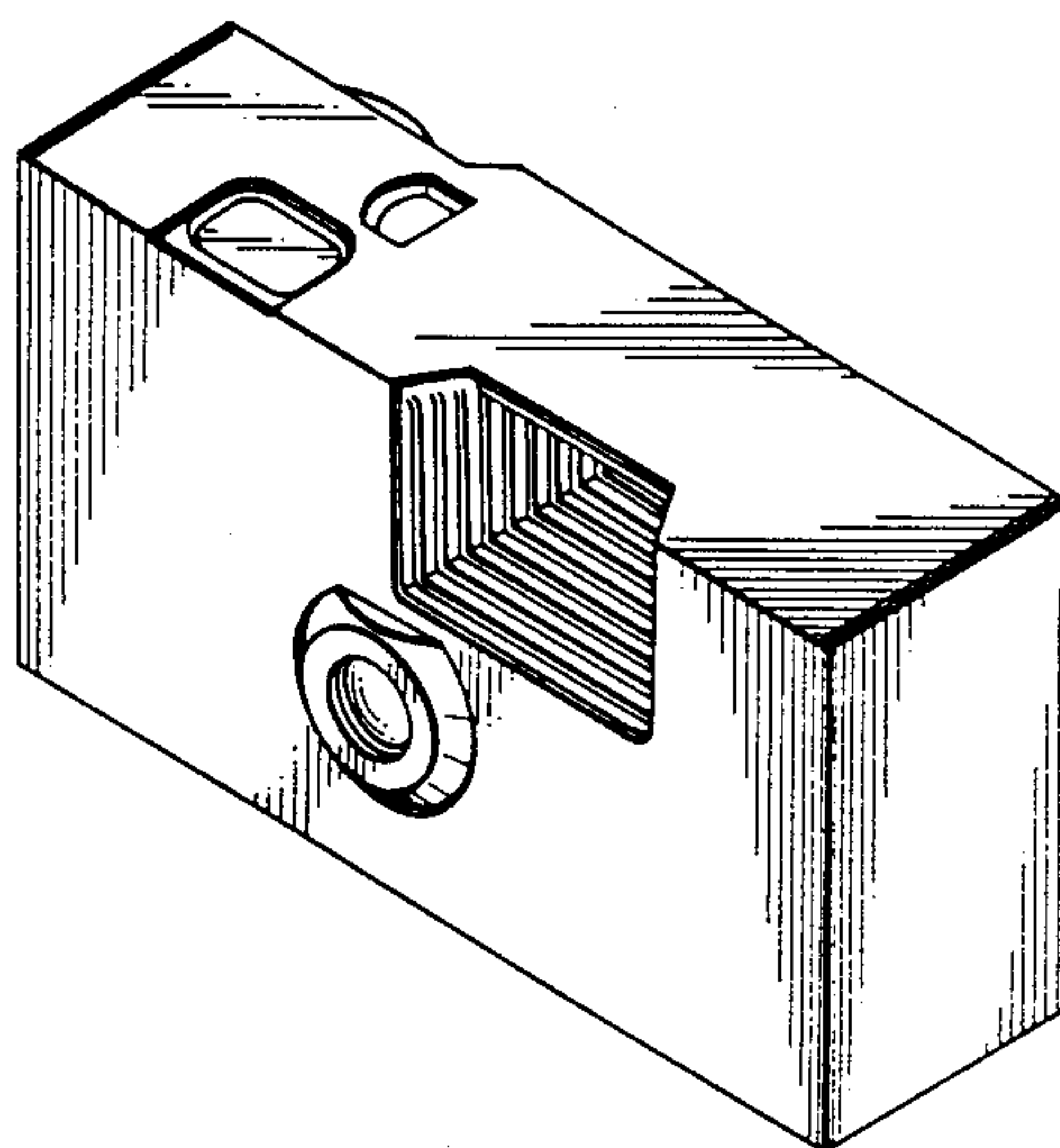


FIG. 1

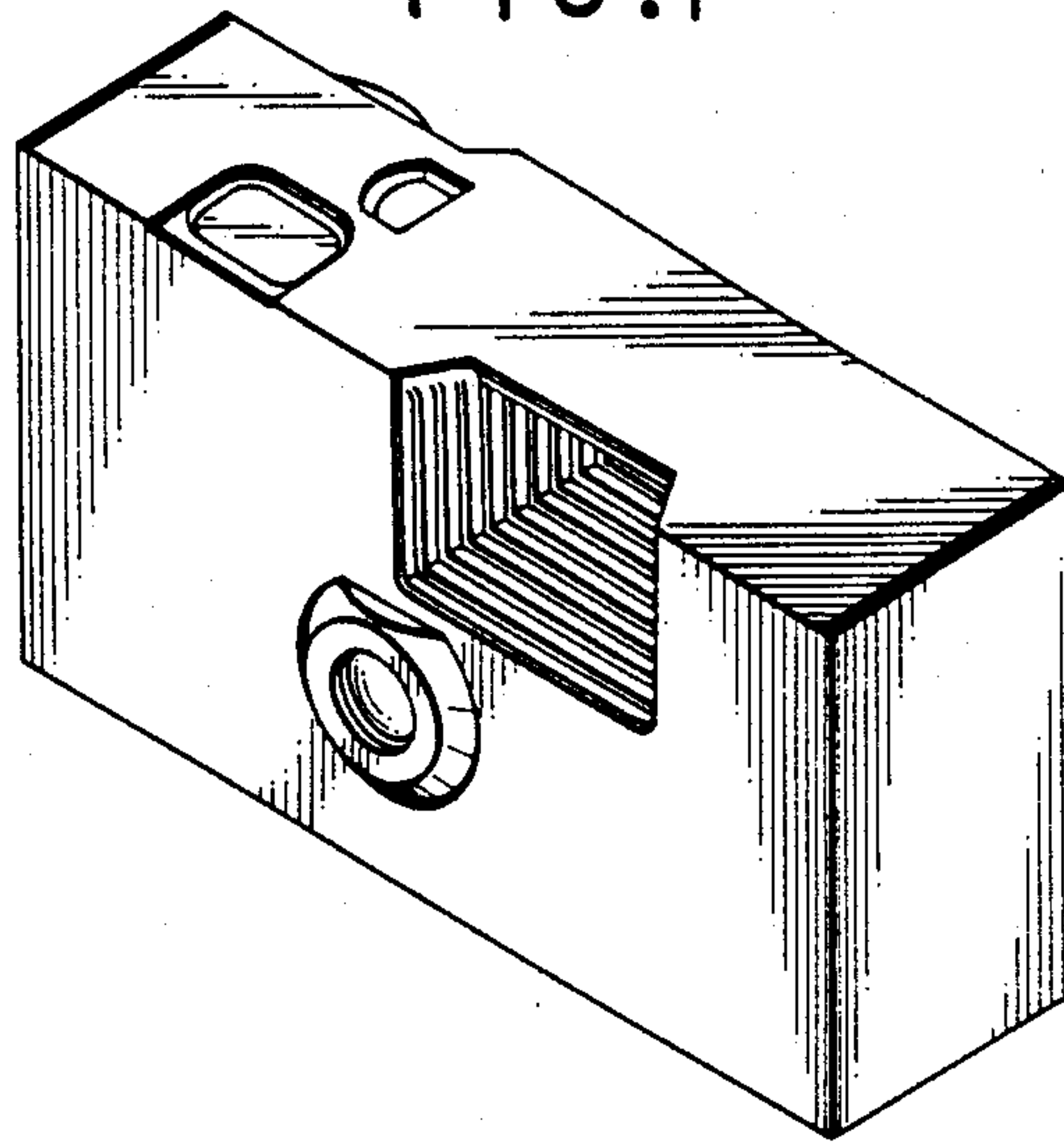


FIG. 2

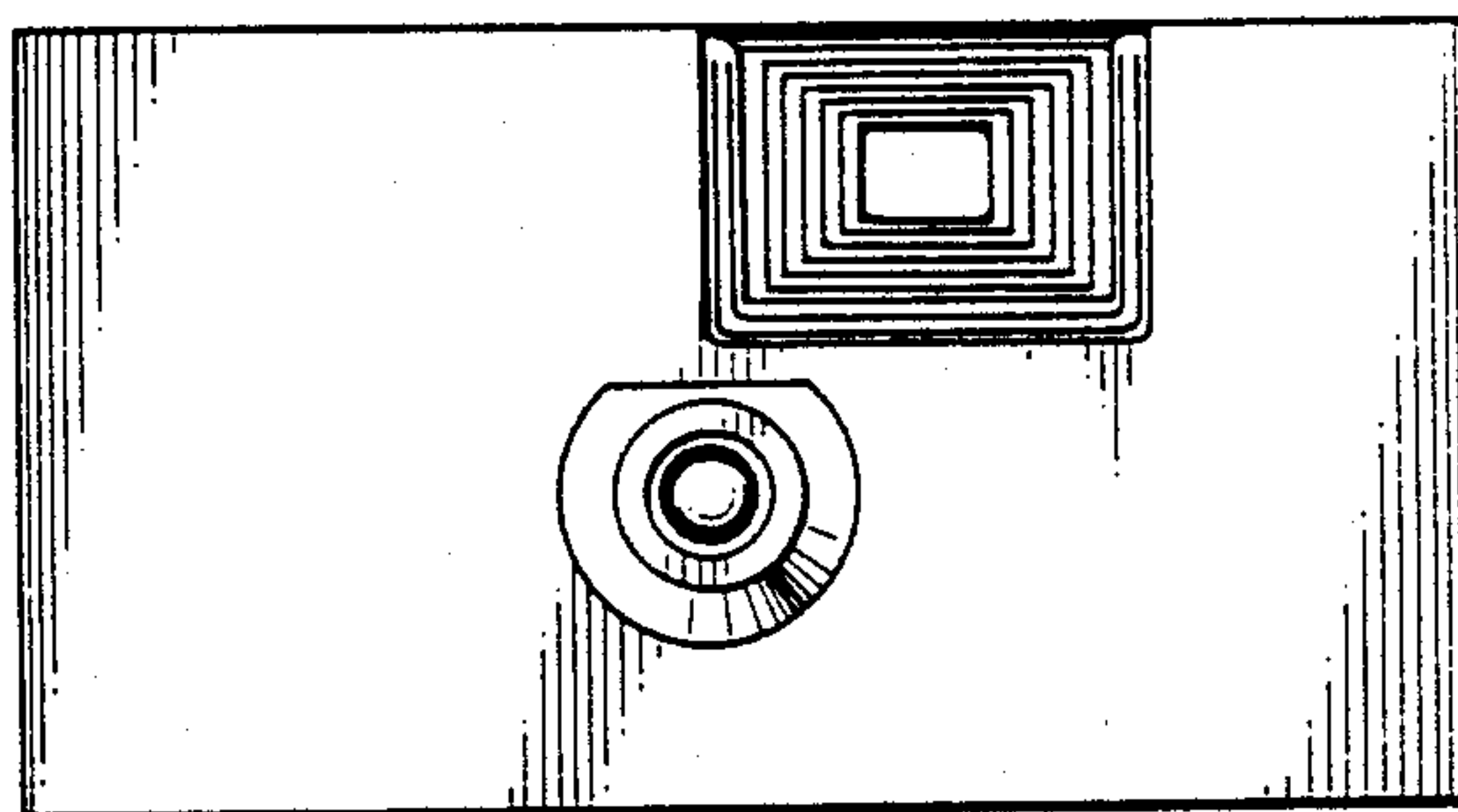


FIG. 3

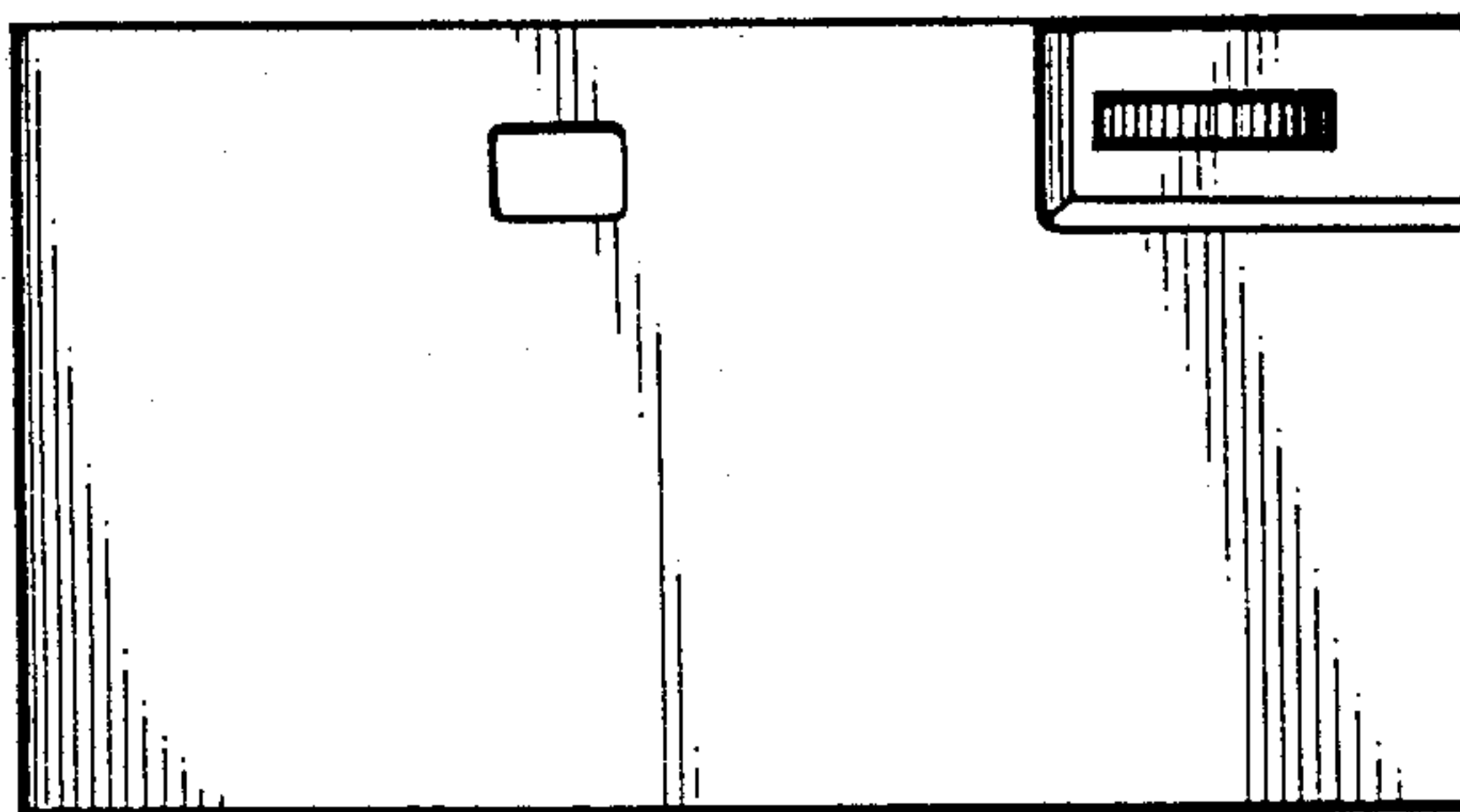


FIG.4

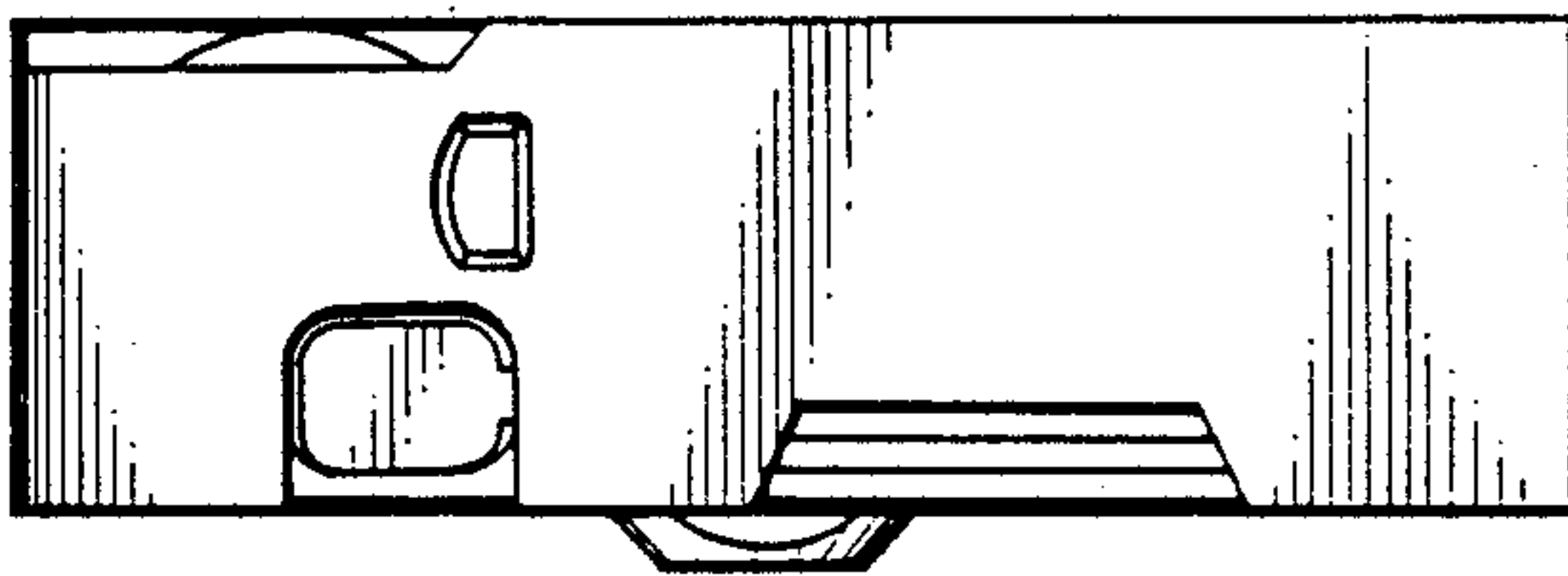


FIG.5

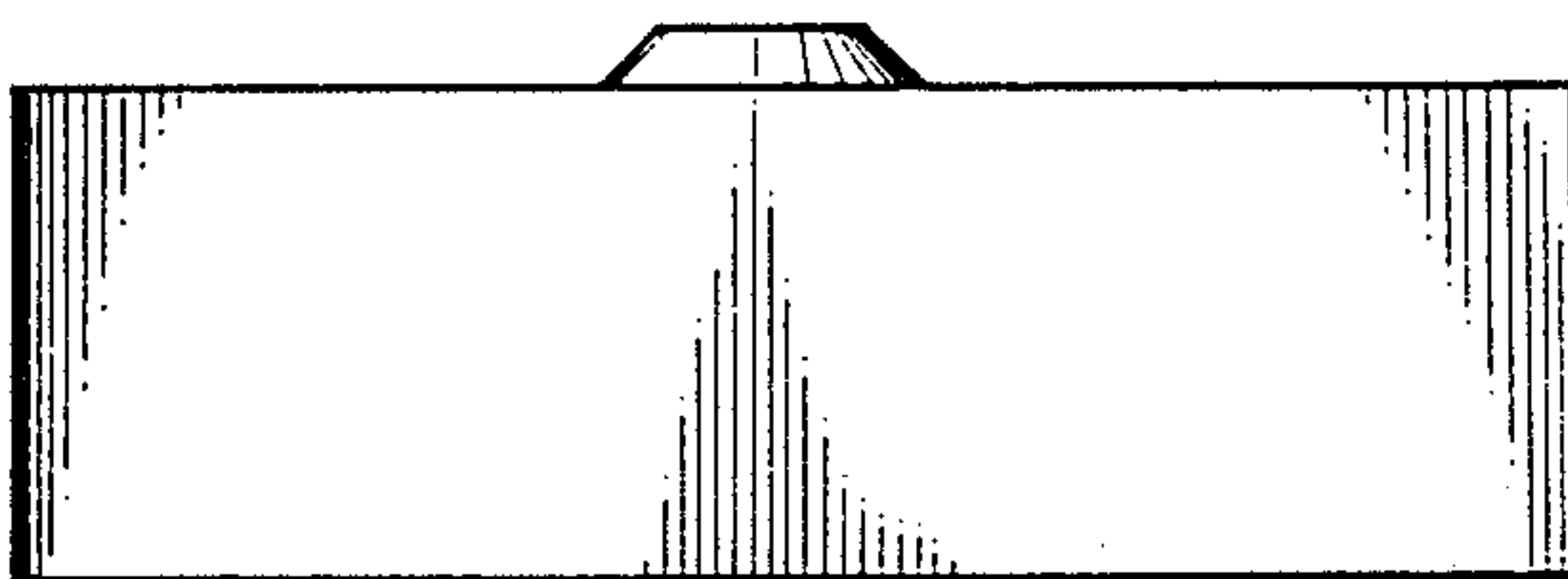


FIG.7

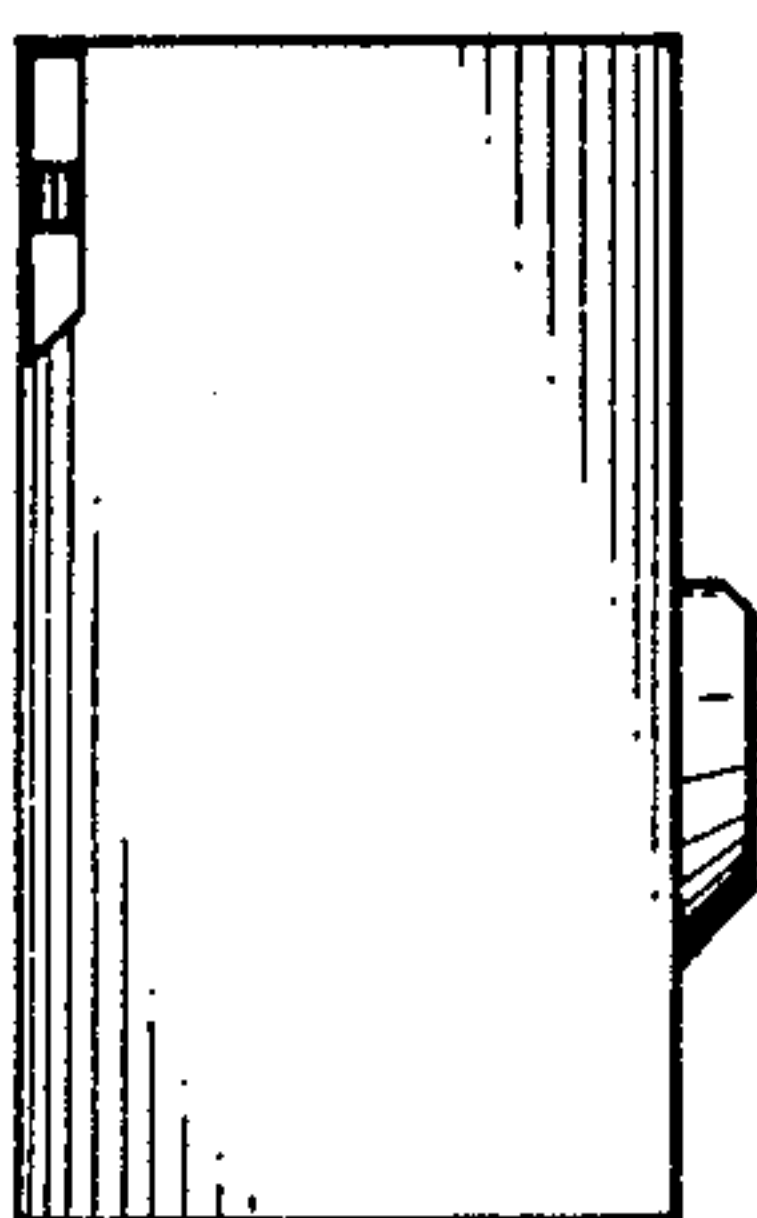


FIG.6

