

[54] **COMBINED RAZOR AND CARTRIDGE CASE**

[75] Inventors: **Vincent C. Motta**, West Norwalk, Conn.; **David S. Byrne**, Atlantic Highlands, N.J.

[73] Assignee: **Warner-Lambert Company**, Morris Plains, N.J.

[\*\*] Term: **14 Years**

[21] Appl. No.: **223,451**

[22] Filed: **Jul. 22, 1988**

[52] U.S. Cl. .... **D9/342**

[58] Field of Search ..... **D9/342, 340, 341, 339; 206/352, 354, 356, 208, 228, 240, 355, 360; 30/40, 40.2, 32 R, 34.05**

D. 203,561 1/1966 Glaberson ..... D9/342  
 D. 216,635 2/1970 Grange ..... D9/342  
 2,122,158 6/1938 Segal ..... 206/228  
 2,735,542 2/1956 Shnitzler ..... 206/228  
 2,984,380 5/1961 Kuhl et al. .... 206/228  
 3,206,012 9/1965 Braginetz ..... 206/228  
 3,352,630 11/1967 Fischer et al. .... 206/208 X

*Primary Examiner*—Bernard Ansher  
*Assistant Examiner*—Prabhakar Deshmukh  
*Attorney, Agent, or Firm*—Daniel A. Scola, Jr.

[57] **CLAIM**

The ornamental design for a combined razor and cartridge case, as shown and described.

**DESCRIPTION**

FIG. 1 is a top plan view of a combined razor and cartridge case showing our new design;  
 FIG. 2 is a front side elevational view thereof;  
 FIG. 3 is a left side elevational view thereof;  
 FIG. 4 is a right side elevational view;  
 FIG. 5 is a rear elevational view thereof;  
 FIG. 6 is a bottom plan view thereof.

[56] **References Cited**

**U.S. PATENT DOCUMENTS**

D. 191,231 8/1961 Klepa ..... D9/342  
 D. 192,656 4/1962 Muscatiello ..... D9/342

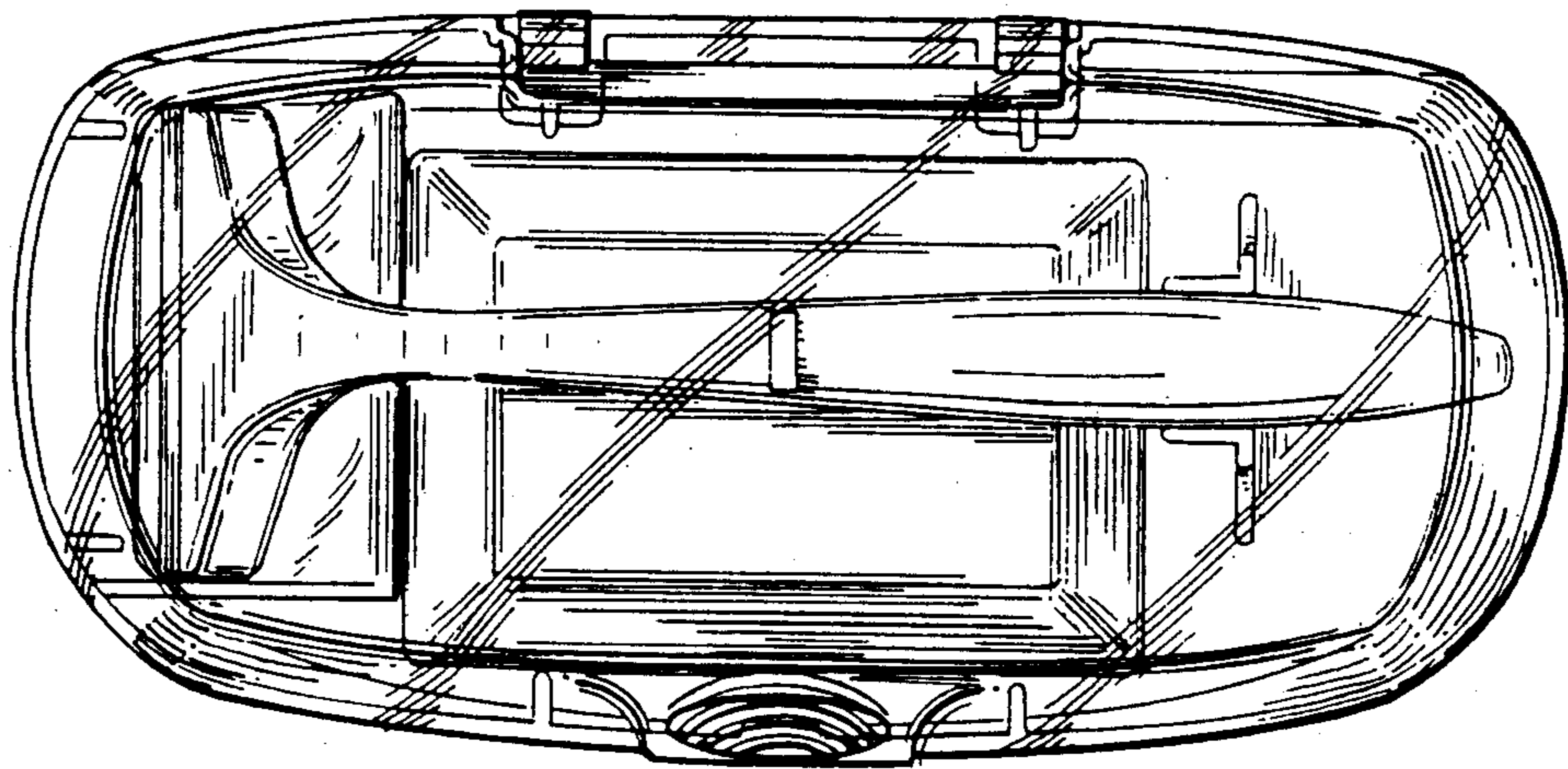


FIG-1

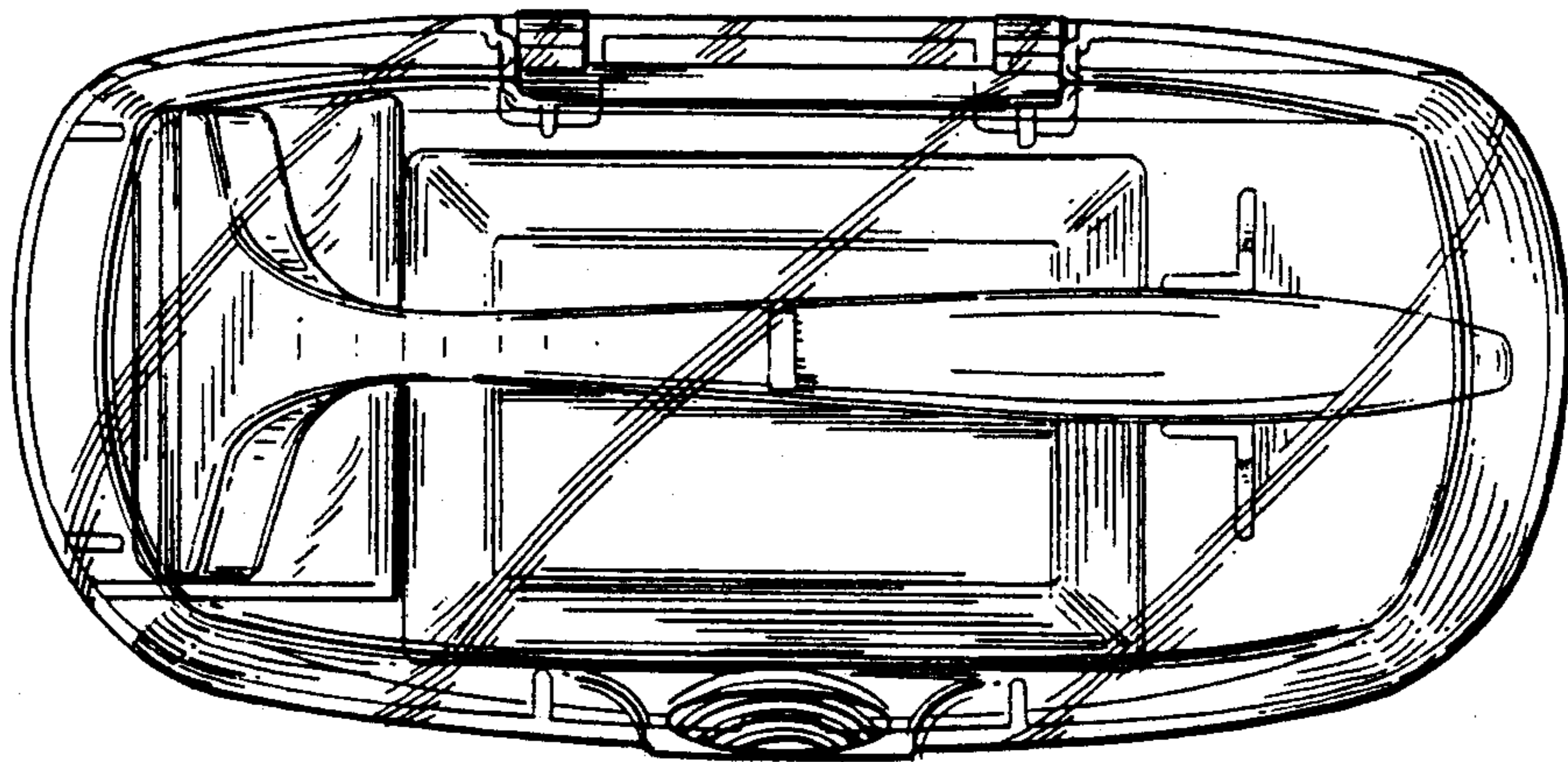


FIG-2

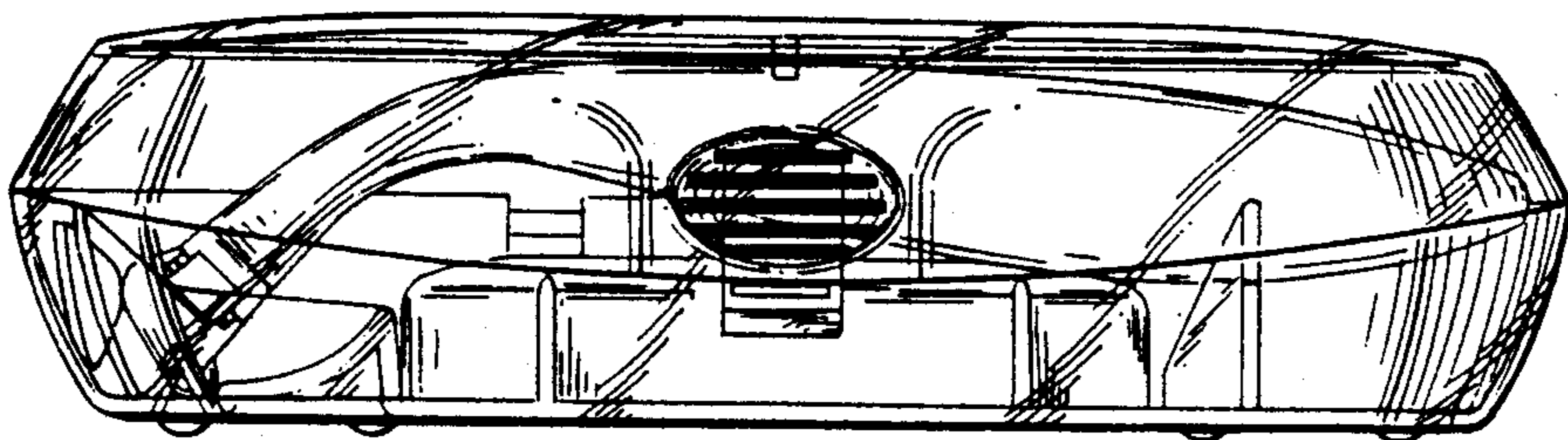


FIG-3

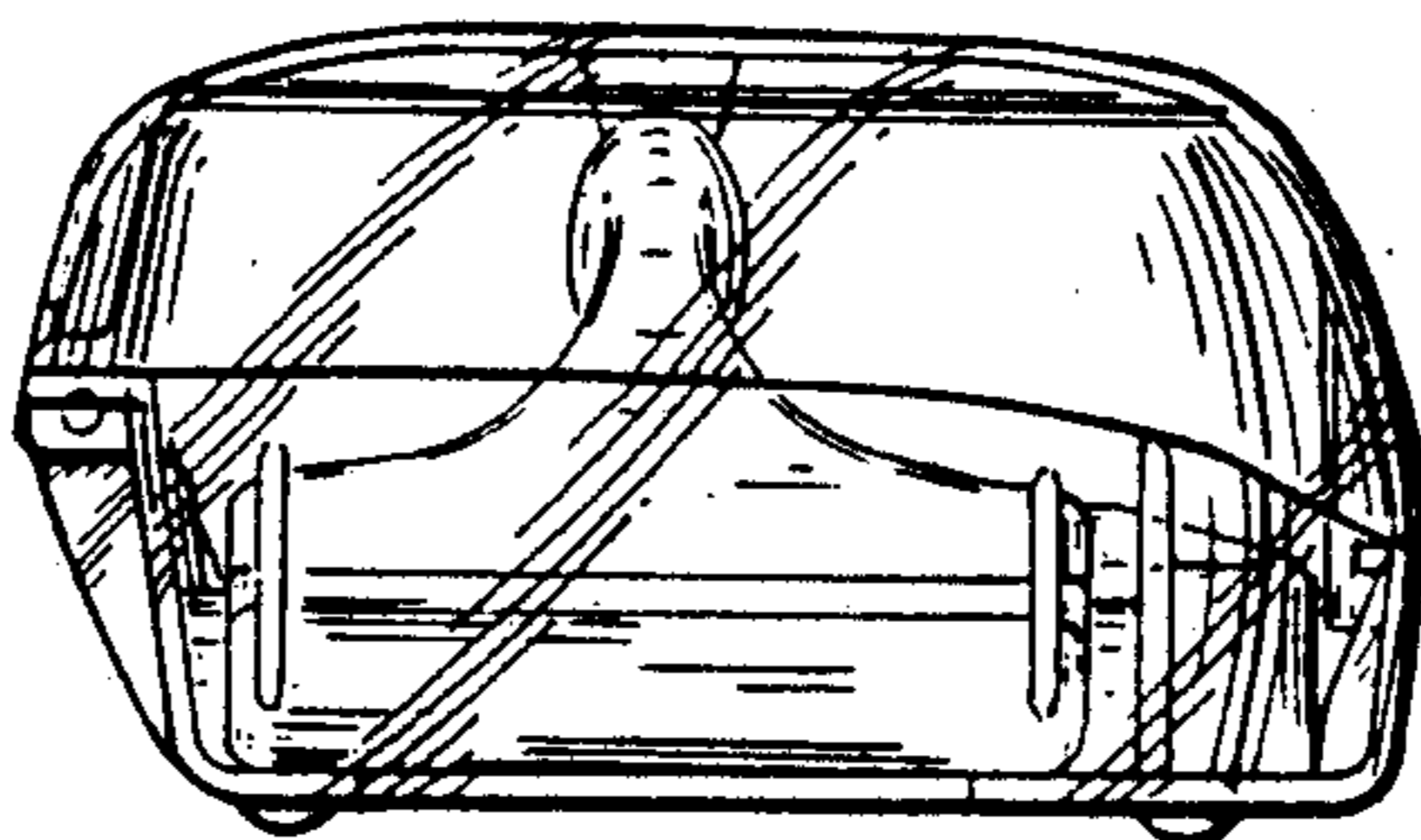


FIG-4

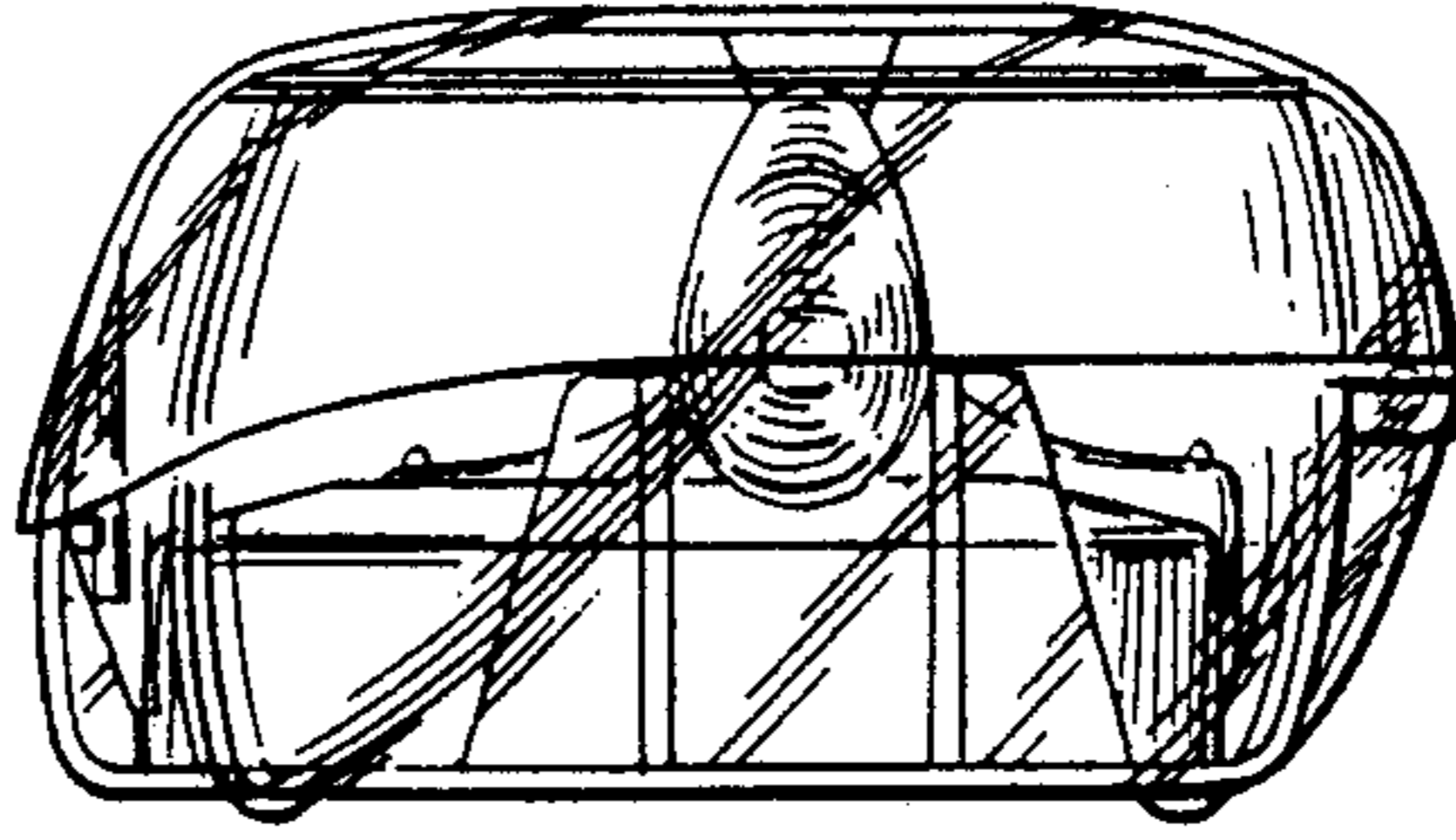


FIG-5

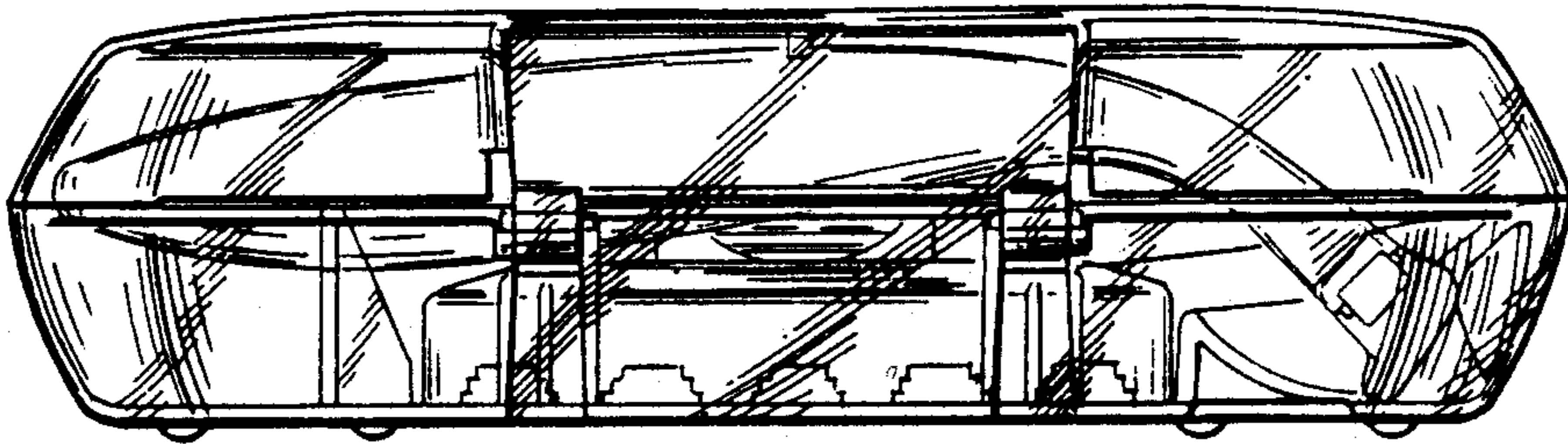


FIG-6

