

United States Patent [19]

Scott et al.

[11] Patent Number: **Des. 313,169**

[45] Date of Patent: **** Dec. 25, 1990**

[54] **LADDER RAIL ATTACHED PAINT BUCKET HOLDER**

[76] Inventors: **Randy E. Scott, Rte. 4; Gary W. Craig, 411 Whispering Oaks Rd., both of Tecumseh, Okla. 74873**

[**] Term: **14 Years**

[21] Appl. No.: **171,514**

[22] Filed: **Mar. 21, 1988**

[52] U.S. Cl. **D5/373**

[58] Field of Search **D8/363, 373, 370; 211/35; 248/210, 211, 300, 313, 309.1, 113, 674, 65; 24/339; D32/54, 53**

[56] **References Cited**

U.S. PATENT DOCUMENTS

D. 183,553	9/1958	Bayuk	D8/363 X
D. 222,430	10/1971	Millar	D8/373
1,661,837	3/1928	Little	248/211
2,622,833	12/1952	Robinson	248/211
2,636,706	4/1953	Hudoba	248/210
3,052,442	9/1962	Rankin, Jr.	248/300
3,104,859	9/1963	Hoelzel	248/313 X

3,239,181	3/1966	Ellerbrock	248/210
3,278,148	10/1966	Denaro	248/210
4,433,822	2/1984	Caggiano	248/210
4,776,550	10/1988	Storey	248/210

Primary Examiner—Horace B. Fay, Jr.
Attorney, Agent, or Firm—Robert K. Rhea

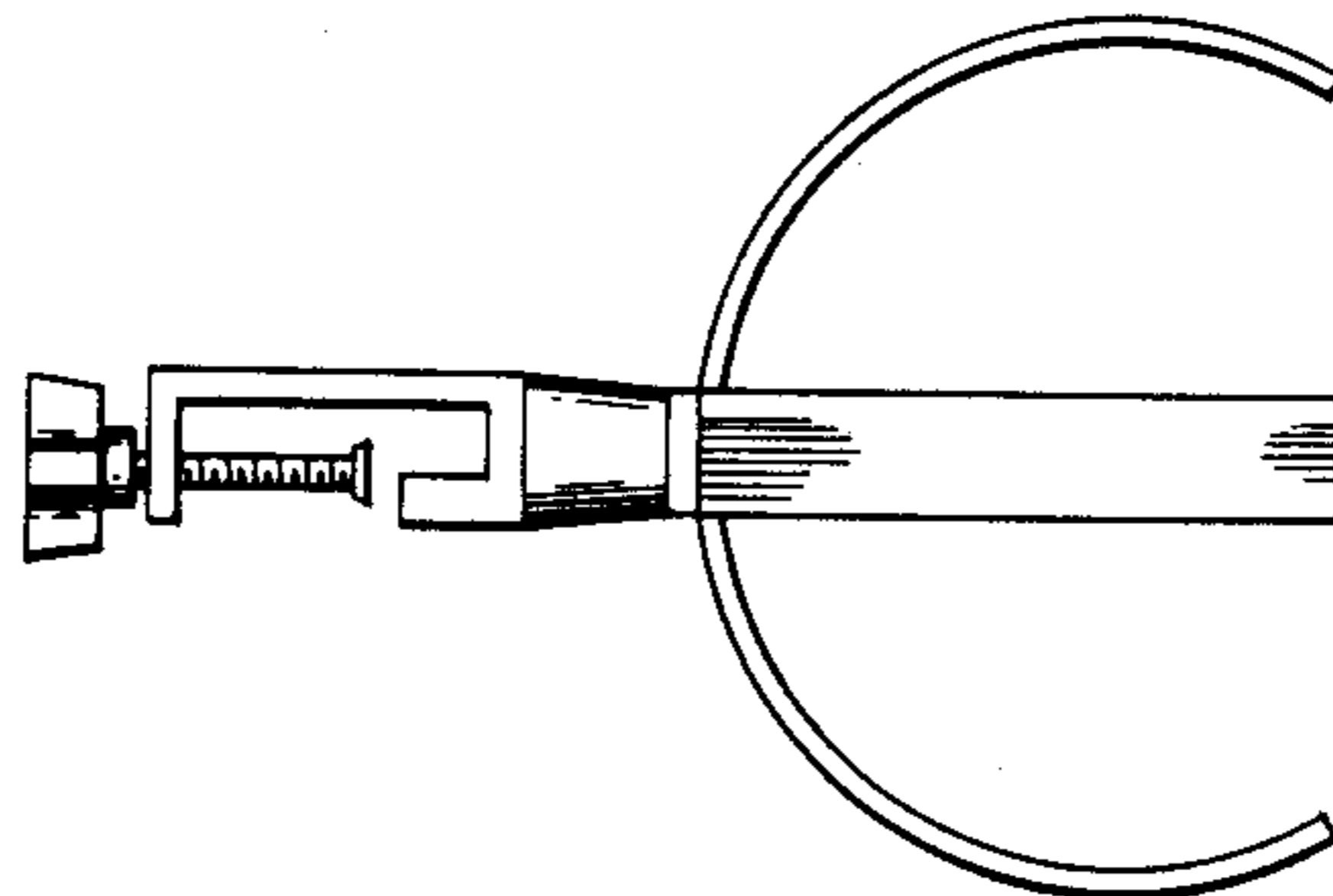
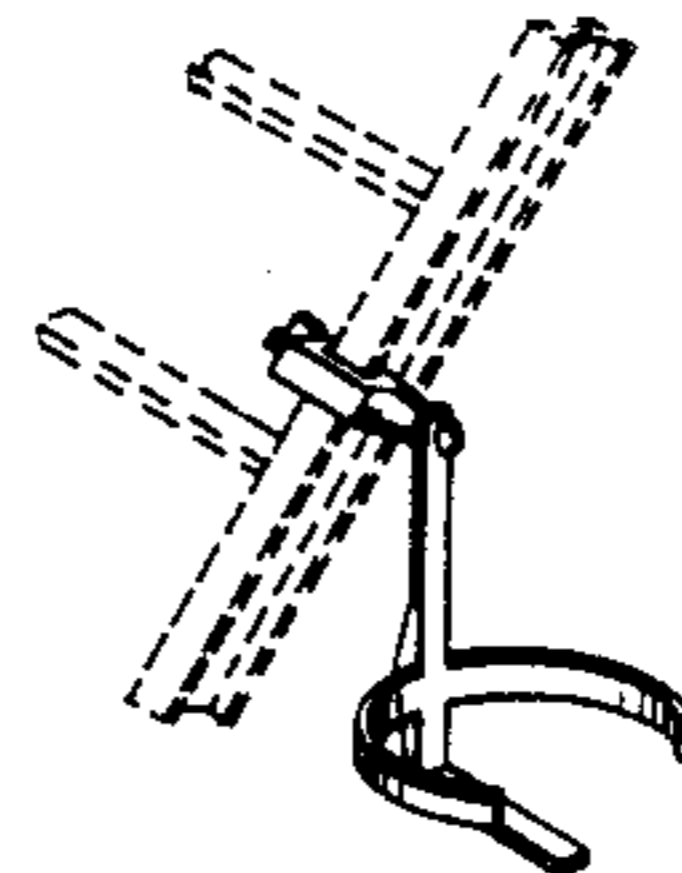
[57] **CLAIM**

The ornamental design for a ladder rail attached paint bucket holder, as shown and described.

DESCRIPTION

FIG. 1 is a left side elevational view of a ladder rail attached paint bucket holder showing our design; FIG. 2 is a front elevational view thereof; FIG. 3 is a top plan view thereof; FIG. 4 is a right side elevational view thereof; FIG. 5 is a rear elevational view thereof; FIG. 6 is a bottom plan view thereof; and FIG. 7 is a top and left side perspective view, to a smaller scale.

The broken line showing of the holder in FIG. 7 attached to the rail of a fragmentary portion of a ladder is for illustrative purposes only and forms no part of the claimed design.



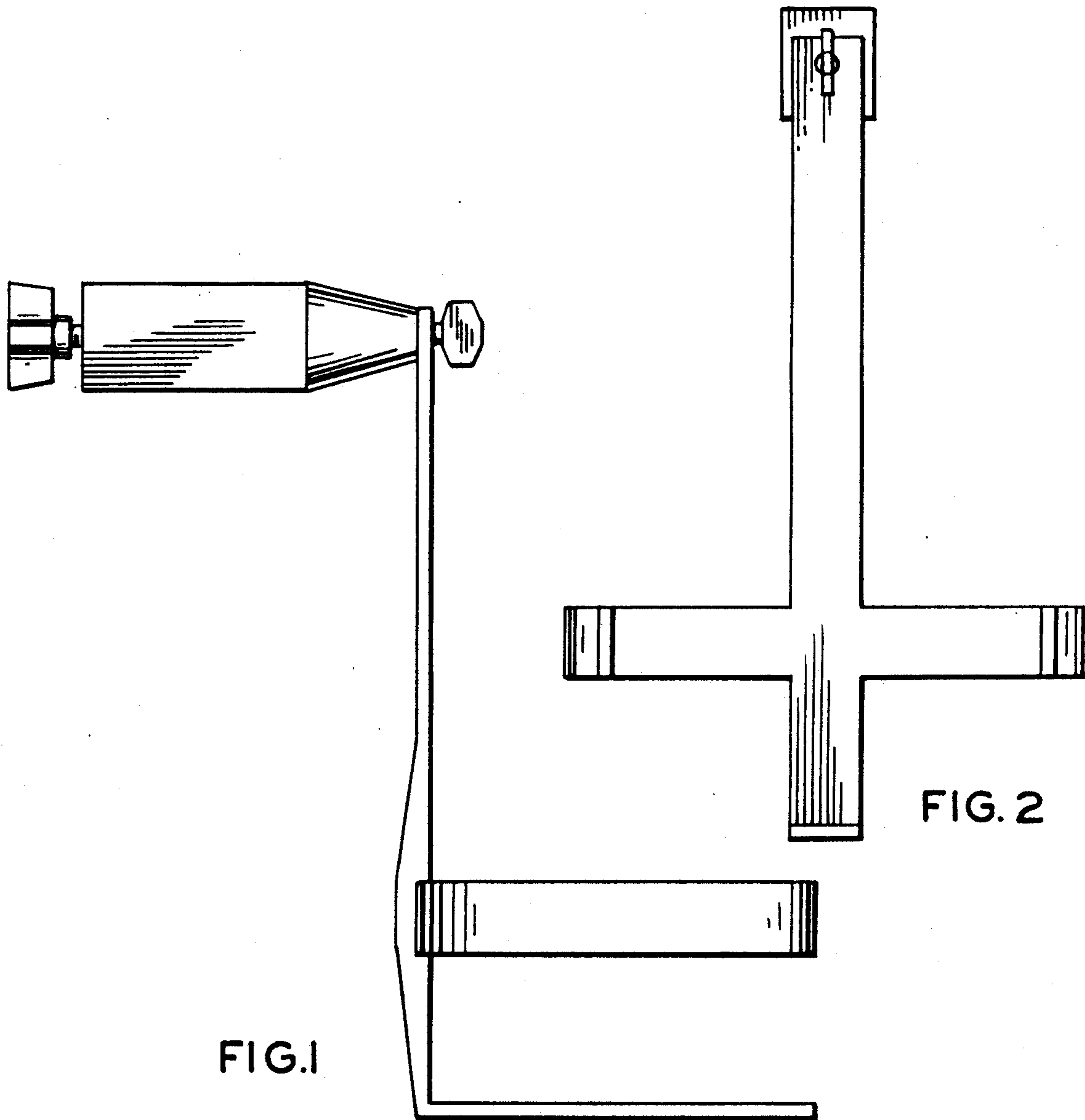


FIG. 1

FIG. 2

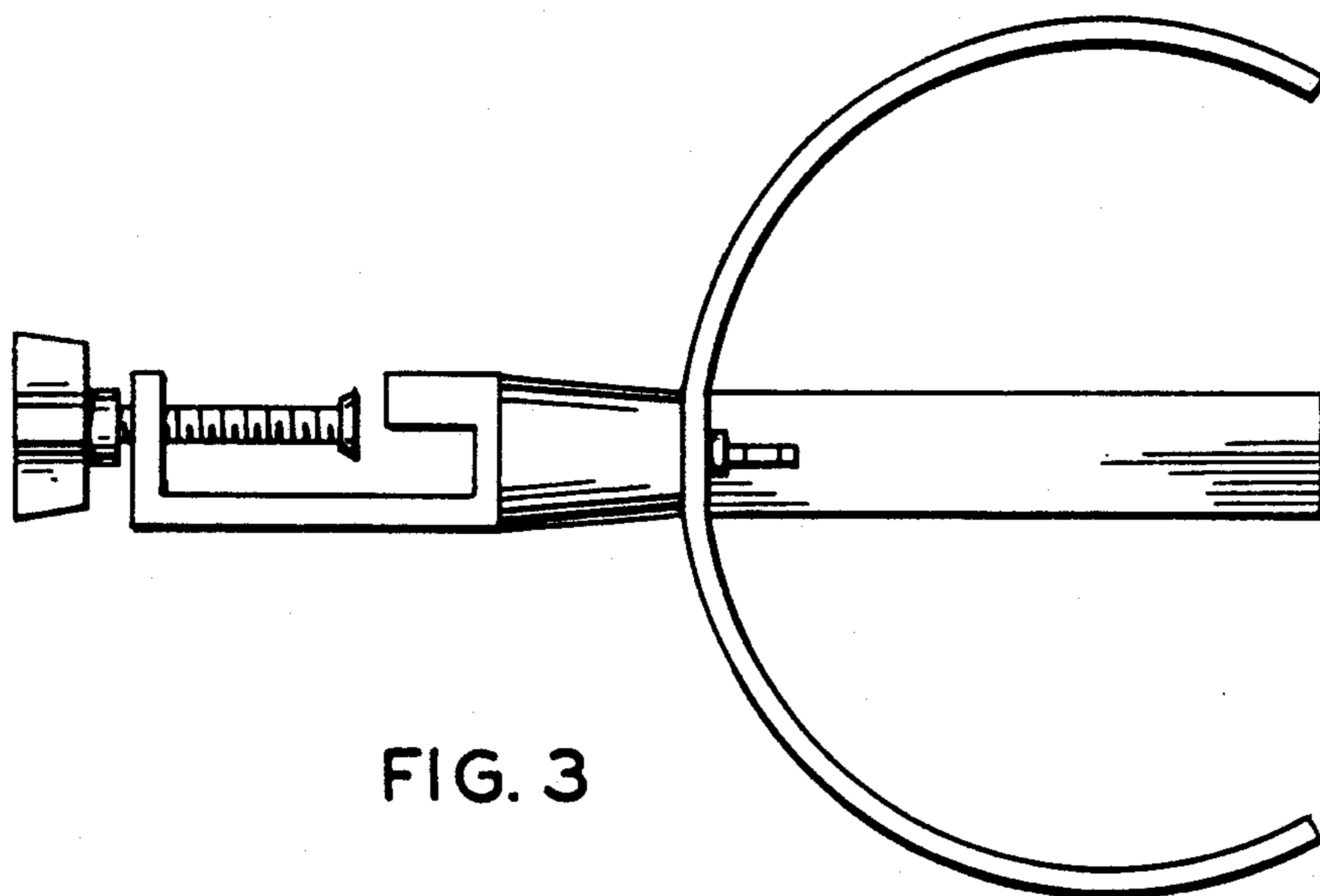


FIG. 3

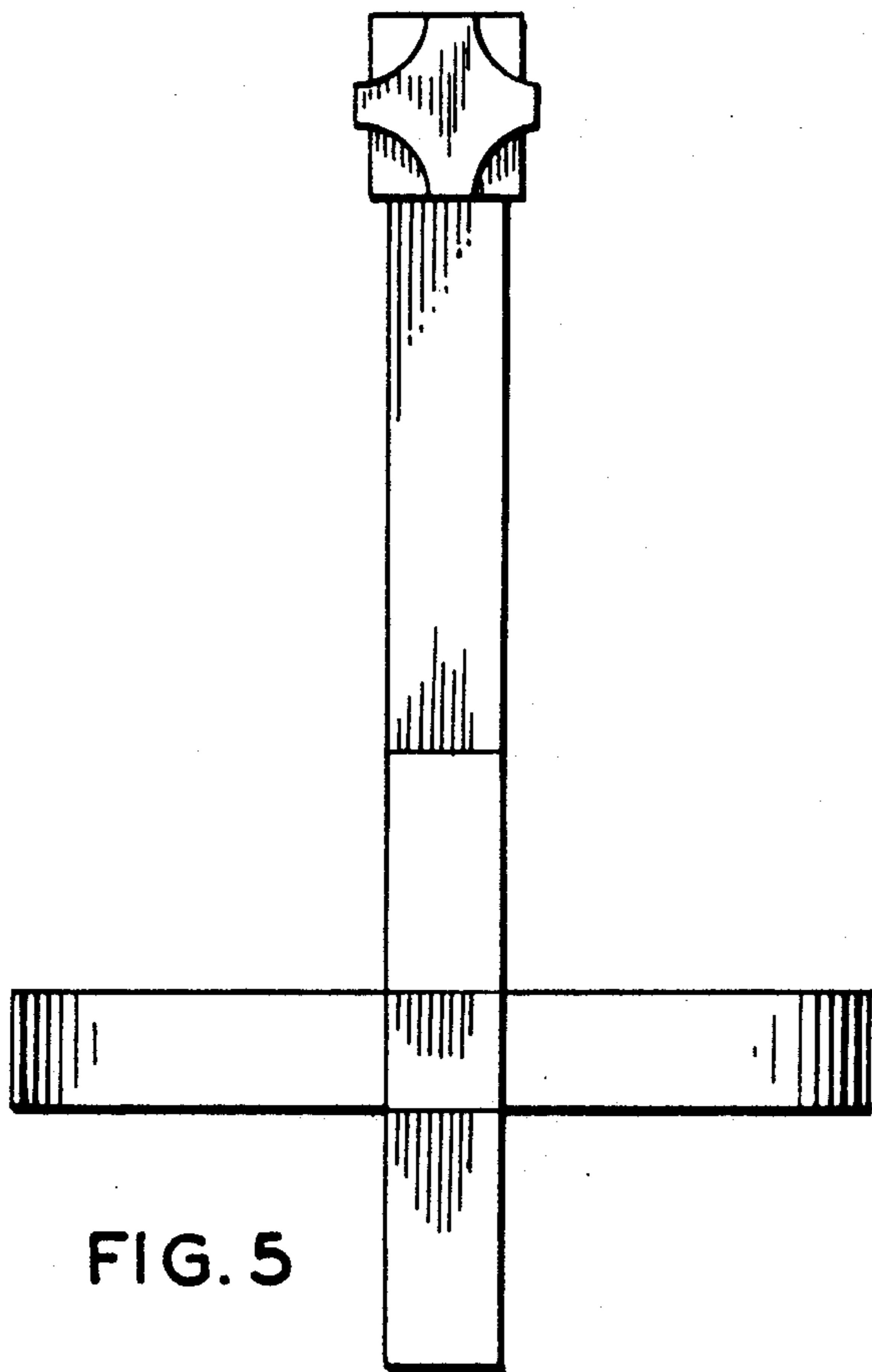


FIG. 5

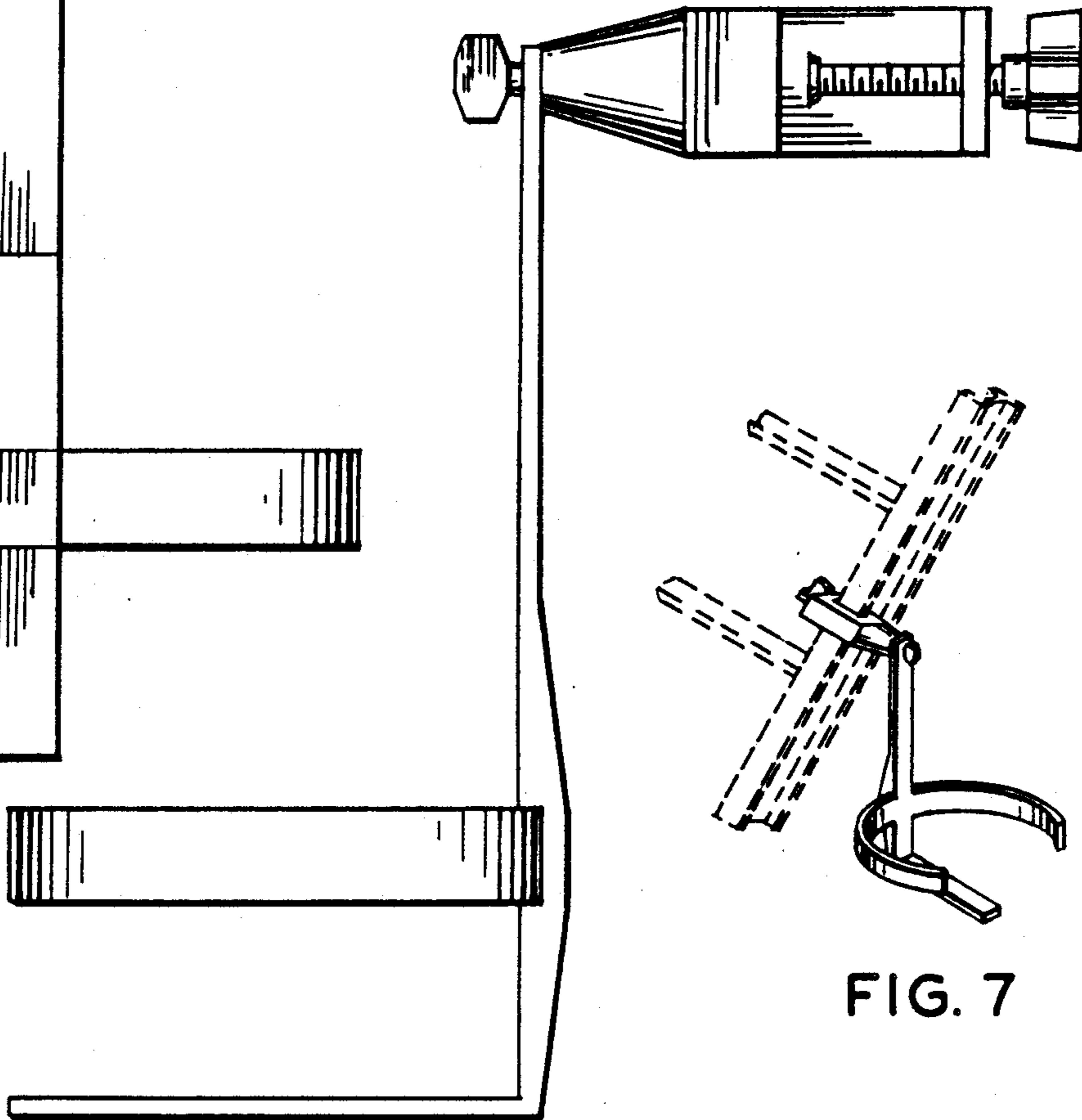


FIG. 4

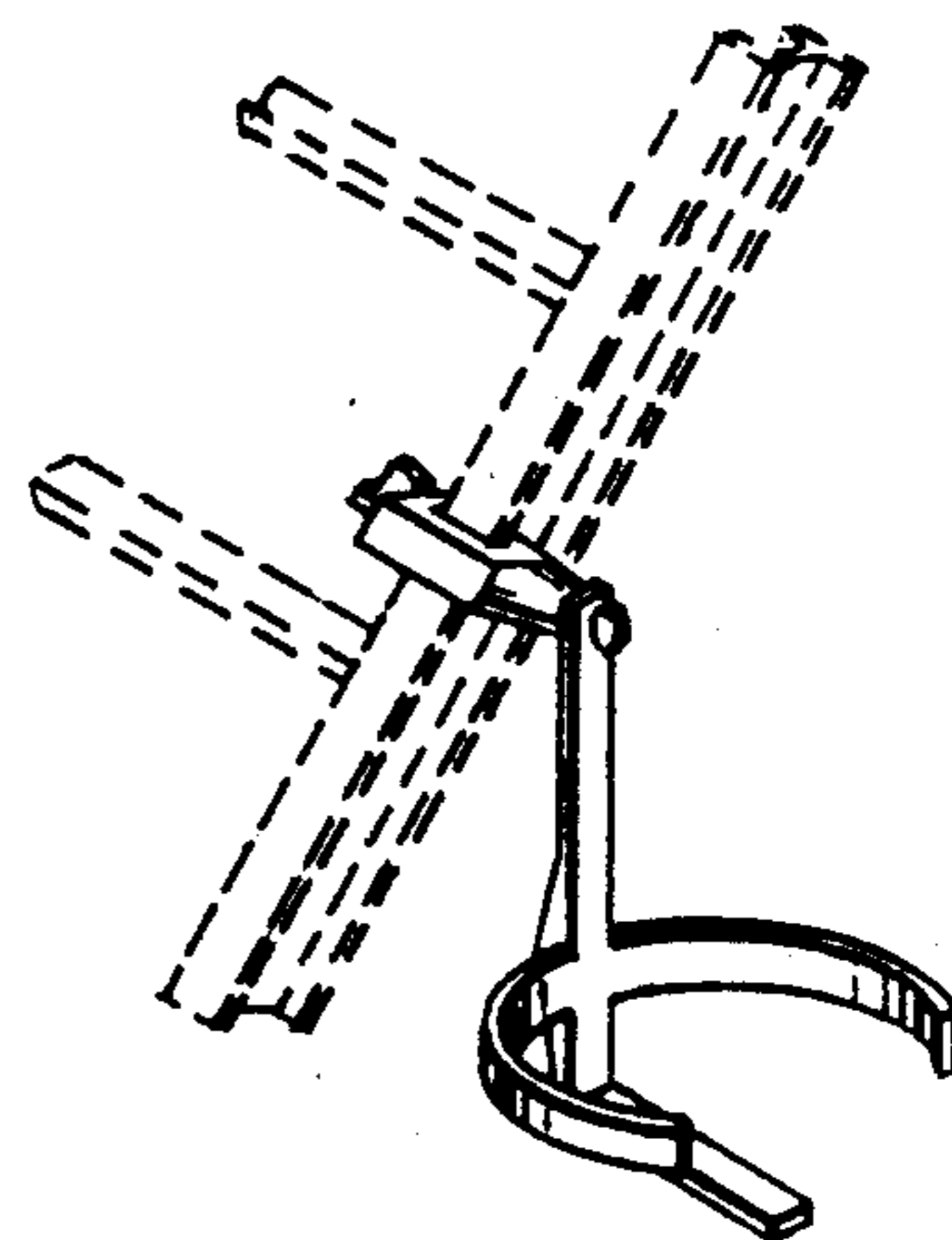


FIG. 7

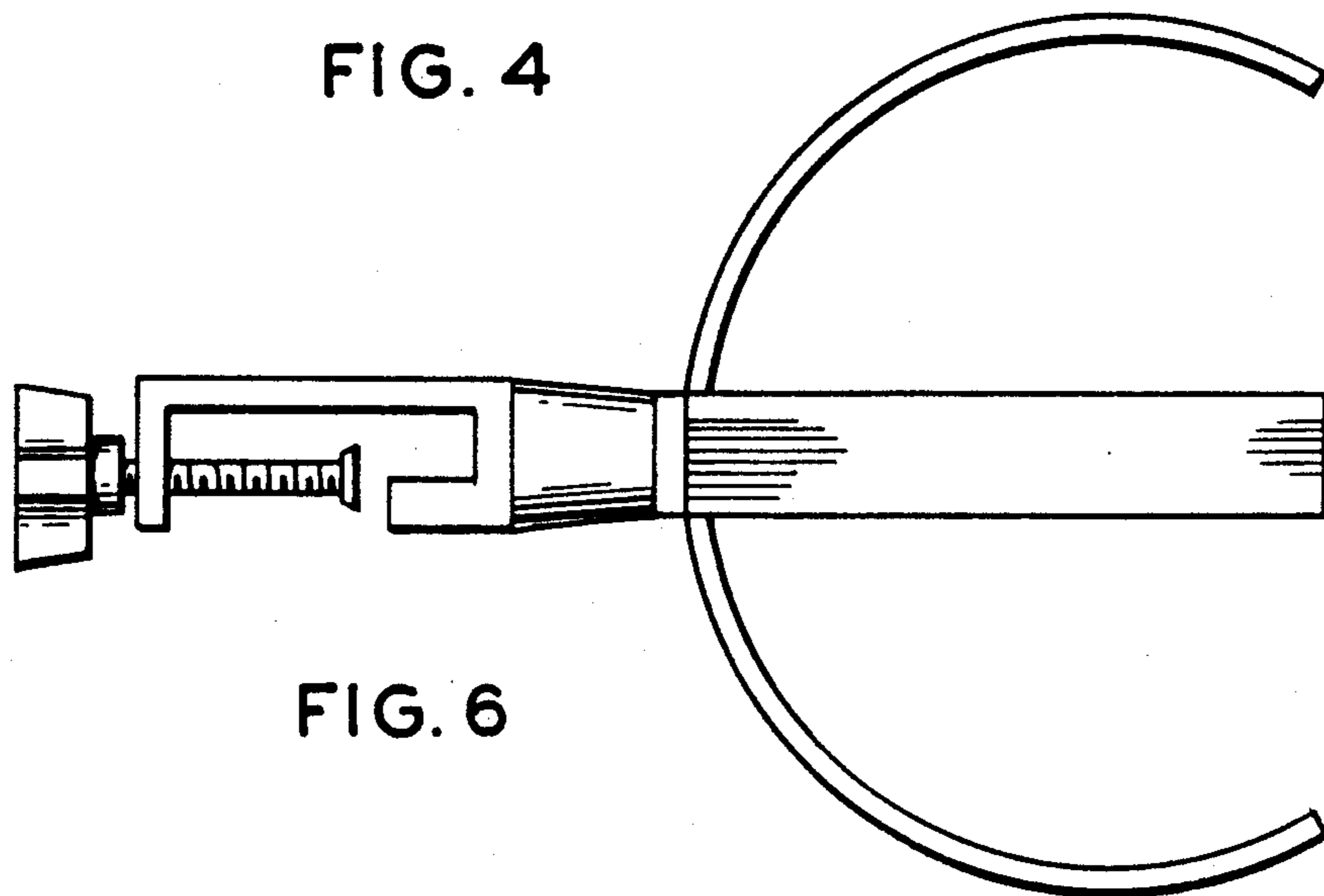


FIG. 6