

[54] **CONCRETE FOOTER FORM BRACE**

[76] **Inventors: Edward J. Pace, 35 Morris St.;
Michael R. Vnuk, W. Mountain Rd.,
both of Plymouth, Pa. 18651**

[**] **Term: 14 Years**

[21] **Appl. No.: 255,157**

[22] **Filed: Oct. 7, 1988**

[52] **U.S. Cl. D8/384; D8/373**

[58] **Field of Search D25/78, 98, 77; D8/384,
D8/373; 52/562, 699, 219.1; 249/33, 38, 16,
216, 205, 213, 33, 88, 5, 7, 13; 403/108, 109**

[56] **References Cited**

U.S. PATENT DOCUMENTS

D. 137,252	2/1944	Schlafman	D8/384
D. 246,573	12/1977	White	D8/384
467,490	1/1892	Anderson	52/562 X
746,445	12/1903	Boise	249/33
1,137,851	5/1915	Fohnestock	249/216
1,224,810	5/1917	Tenholder	249/216 X
1,255,811	2/1918	Tenholder	249/33
1,323,557	12/1919	Tourteloito	249/33 X
1,437,323	11/1922	McClure	249/38
1,465,812	8/1923	Dunbar	52/562 X
1,755,960	4/1930	Kohler	249/216
2,250,064	7/1941	Jorsch	249/33
2,306,450	12/1942	Lewis	249/208
2,400,852	5/1946	Stevenson	249/194
2,675,599	4/1954	Gerbract	249/13
2,887,756	5/1959	Brechel	249/13

2,973,567	3/1961	Brow, Jr. et al.	249/207
3,097,550	7/1963	Johnston	403/108
3,547,397	12/1970	Brow, Jr.	249/219.1
3,833,199	9/1974	Frake	249/33
4,029,288	6/1977	Murphy et al.	249/219.1
4,062,513	5/1977	Lindell	249/33 X
4,291,858	9/1981	NeSmith	249/216
4,339,106	7/1982	Navarro	249/219.1
4,635,895	1/1987	Johnson, Jr. et al.	249/5
4,702,059	10/1987	Holtz	249/33 X
4,836,487	6/1989	Ringler	249/219.1
4,846,437	7/1989	Fitzgerald	249/219.1

FOREIGN PATENT DOCUMENTS

108885	10/1939	Australia	249/33
2829812	2/1979	Fed. Rep. of Germany	403/109
3037426	4/1982	Fed. Rep. of Germany	...	249/219.1
2575208	6/1986	France	249/2
614711	12/1948	United Kingdom	52/562

Primary Examiner—Horace B. Fay, Jr.

Attorney, Agent, or Firm—Steele, Gould & Fried

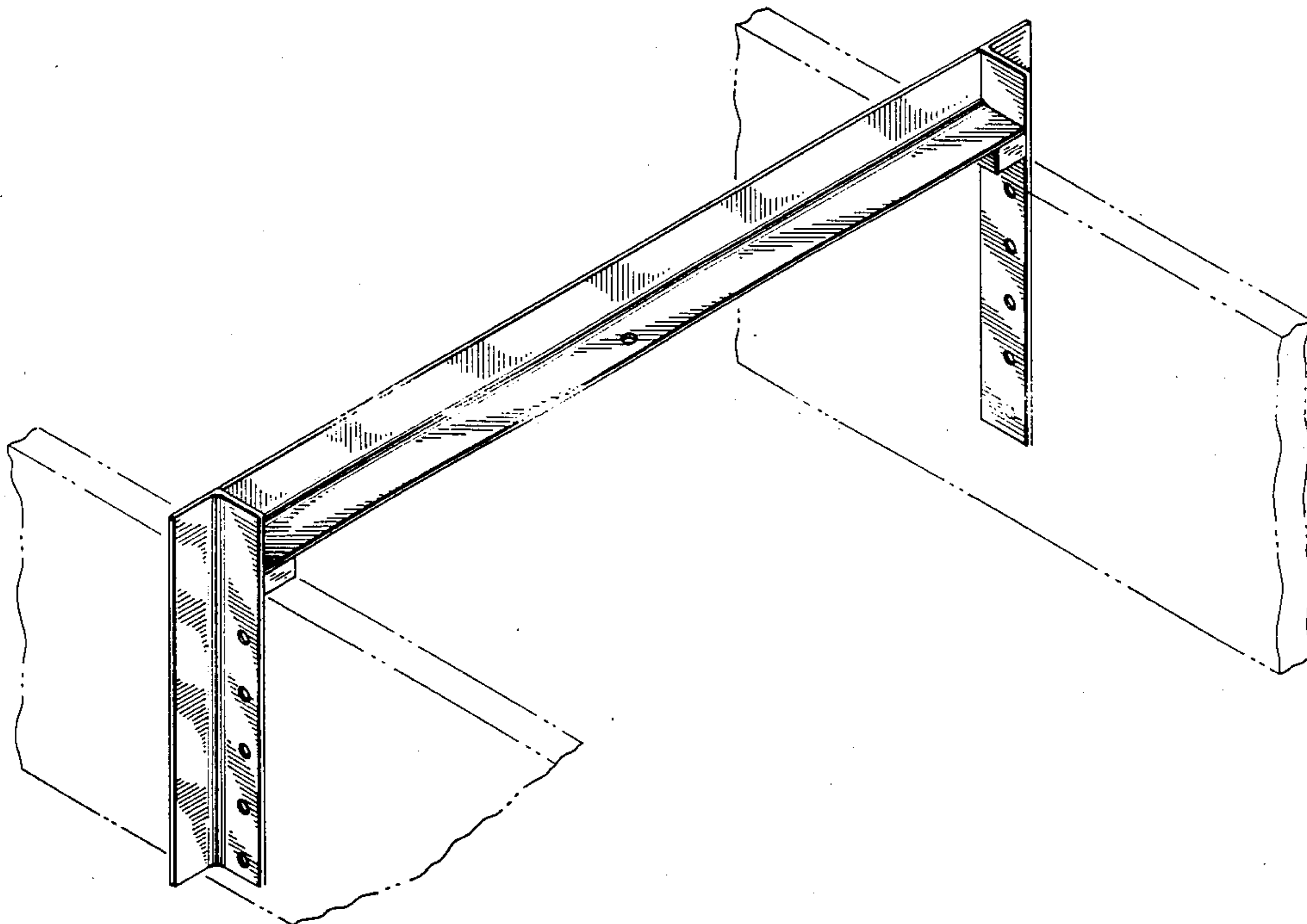
[57] **CLAIM**

The ornamental design for a concrete footer form brace, as shown and described.

DESCRIPTION

FIG. 1 is a front isometric view of a concrete footer form brace showing my new design; and FIG. 2 is a rear isometric view thereof.

The broken line showing of concrete beams of indeterminate length in both figures is for illustrative purposes only and forms no part of the claimed design.



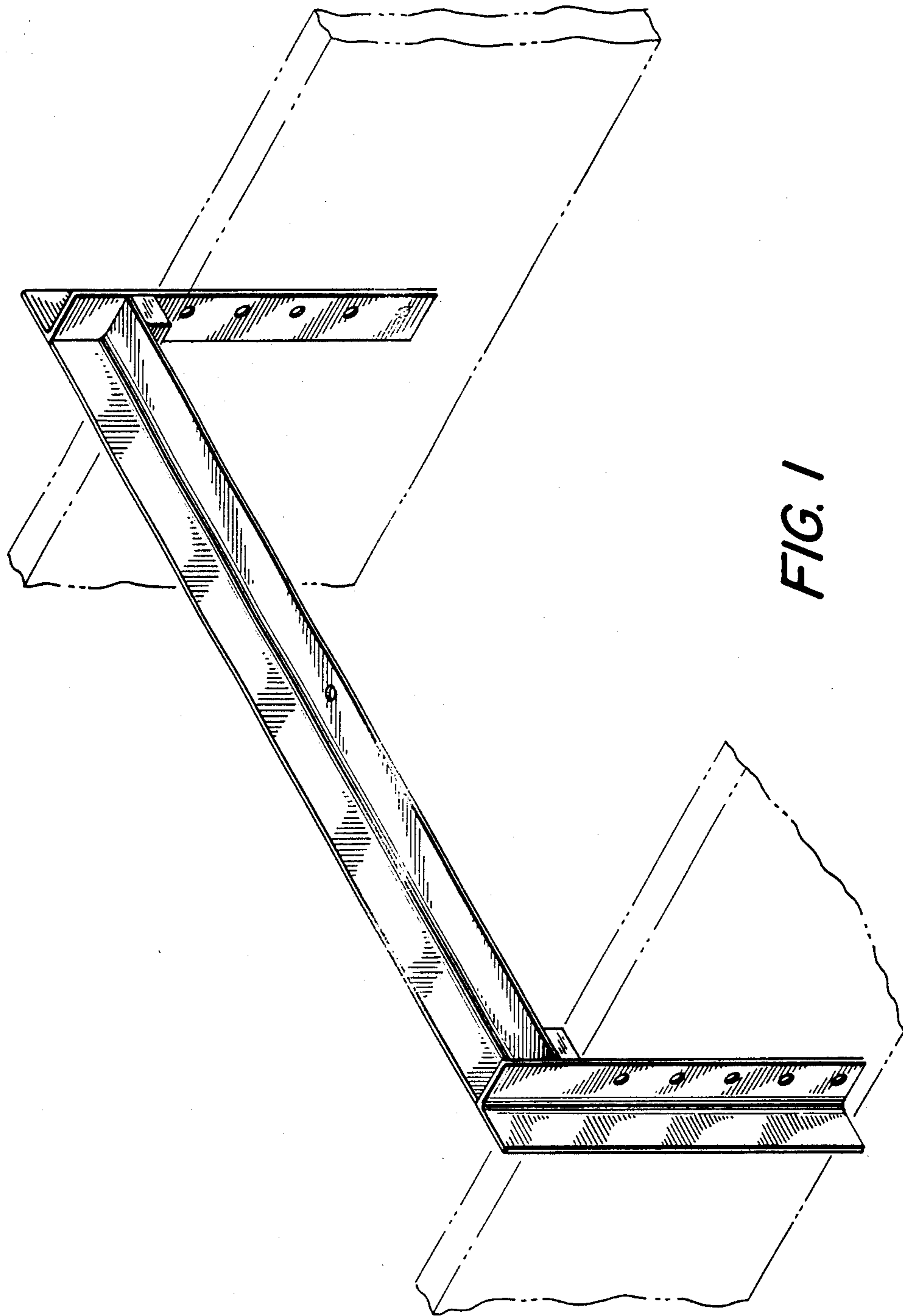


FIG. 1

FIG. 2

