

United States Patent [19]

Westphal et al.

[11] Patent Number: **Des. 313,160**

[45] Date of Patent: **** Dec. 25, 1990**

[54] **PLUG ELEMENT FOR A WINDOW LATCH ASSEMBLY**

[75] Inventors: **Dennis Westphal, Galva; Jonathan Piles, McPherson, both of Kans.**

[73] Assignee: **CertainTeed Corporation, Valley Forge, Pa.**

[**] Term: **14 Years**

[21] Appl. No.: **226,395**

[22] Filed: **Jul. 29, 1988**

[52] U.S. Cl. **D8/343**

[58] Field of Search **D8/330-331, D8/339, 341, 343; 292/DIG. 4, DIG. 47, DIG. 61, DIG. 63, DIG. 12, DIG. 20, 137, 163, 174-175; 49/417**

[56] **References Cited**

U.S. PATENT DOCUMENTS

D. 208,354	8/1967	Gilbert	D8/332
D. 305,726	1/1990	Halay	D8/331 X
603,597	5/1898	Kittelsen et al.	.	
688,491	12/1901	Sigler	292/204
881,658	3/1908	Bowman	292/204

3,003,202	10/1961	Mendelsohn	292/175 X
4,144,674	3/1979	Dovman	49/417
4,553,353	11/1985	Simpson	292/175 X
4,578,903	4/1986	Simpson	49/175
4,655,057	4/1987	Derman	70/14
4,688,834	8/1987	Nakayama	292/DIG. 4 X
4,792,165	12/1988	Nishimura	292/DIG. 4 X

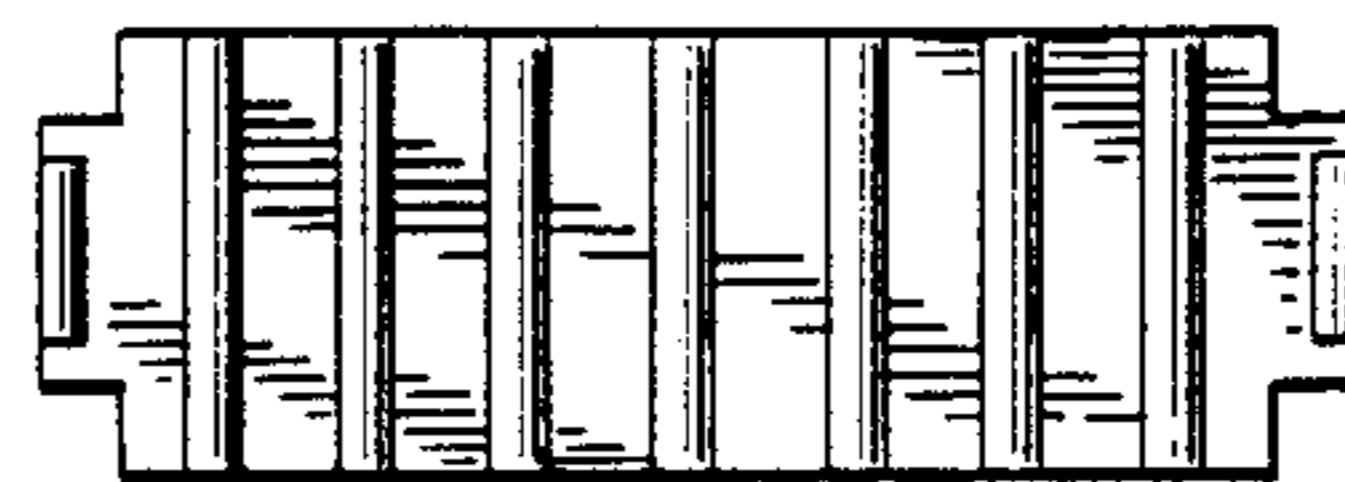
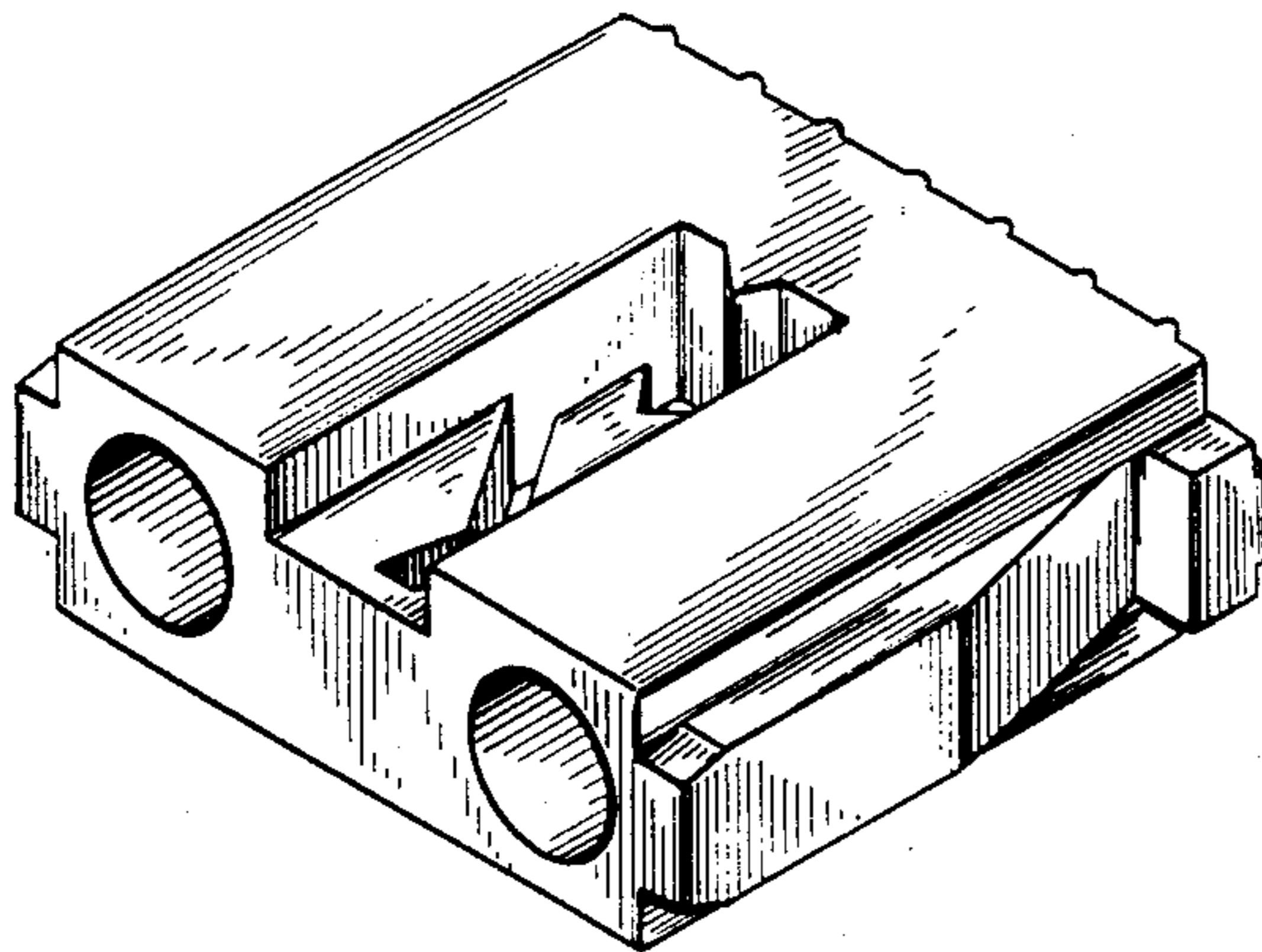
Primary Examiner—Wallace R. Burke
Assistant Examiner—Brian N. Vinson
Attorney, Agent, or Firm—Paul & Paul

[57] **CLAIM**

The ornamental design for a plug element for a window latch assembly, as shown and described.

DESCRIPTION

FIG. 1 is a top, rear, and left side perspective view of a plug element for a window latch assembly showing our new design;
FIG. 2 is a top plan view thereof;
FIG. 3 is a rear elevational view thereof;
FIG. 4 is a right side elevational view thereof;
FIG. 5 is a left side elevational view thereof;
FIG. 6 is a bottom plan view thereof; and
FIG. 7 is a front elevational view thereof.



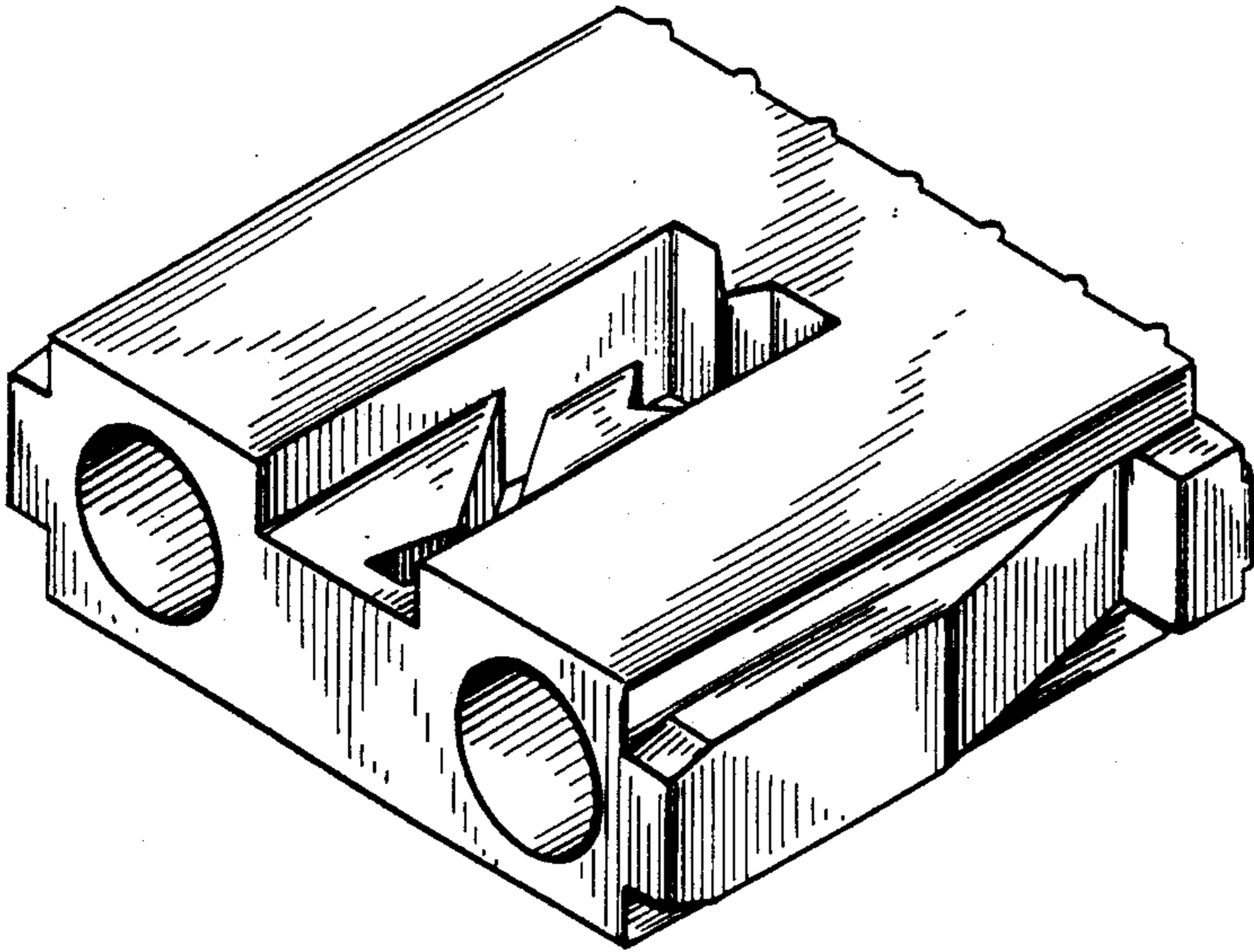


Fig. 1

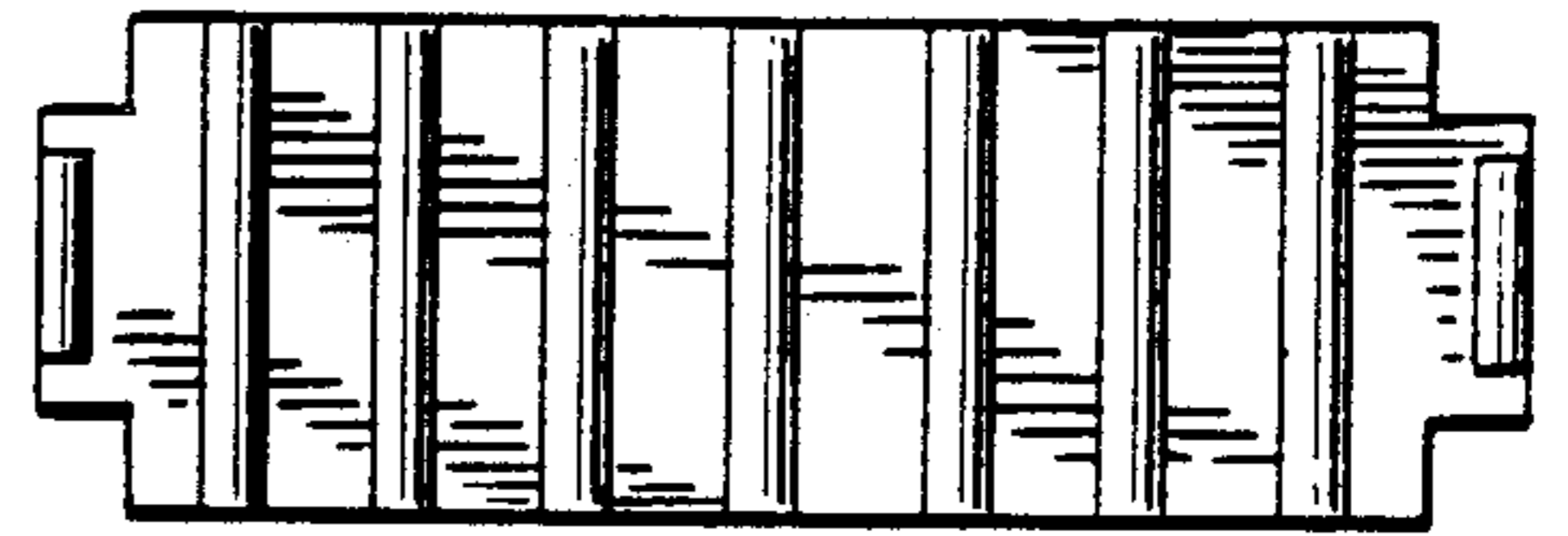


Fig. 7

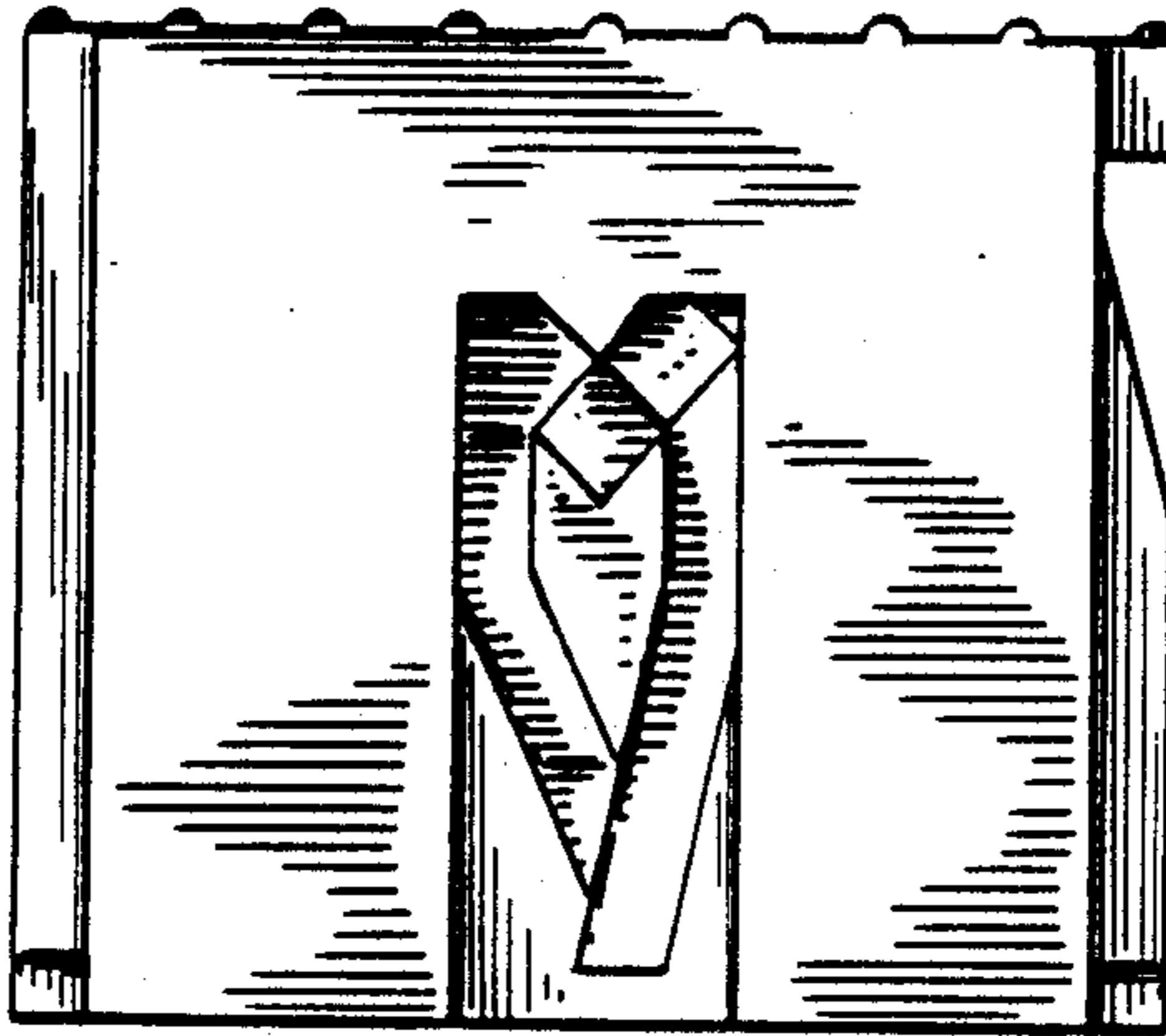


Fig. 2

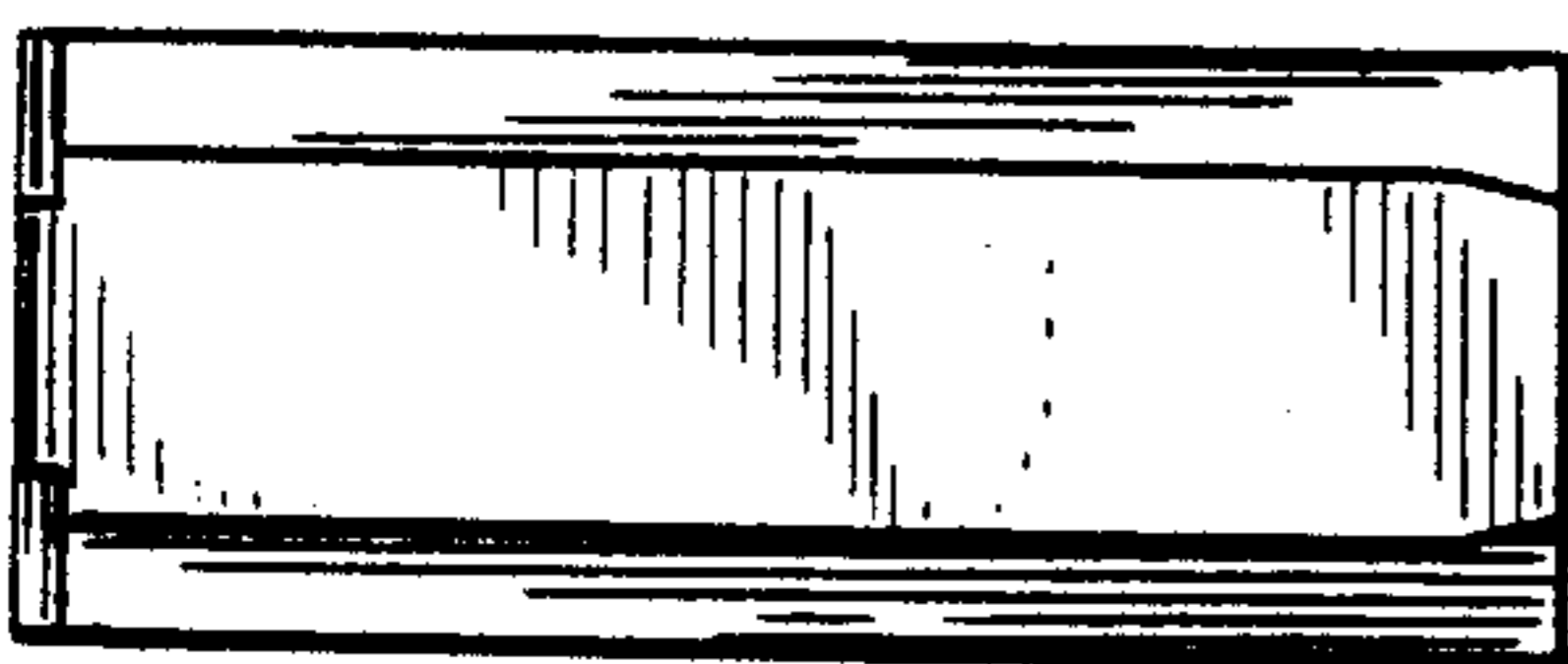


Fig. 4

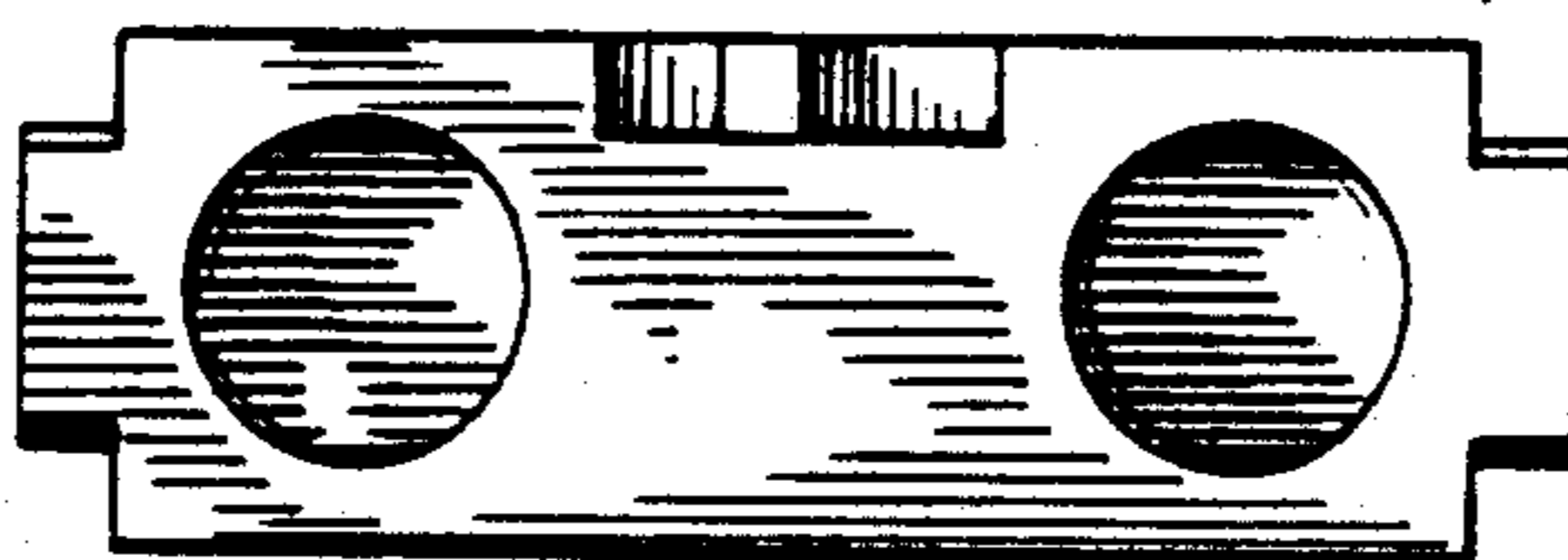


Fig. 3



Fig. 5

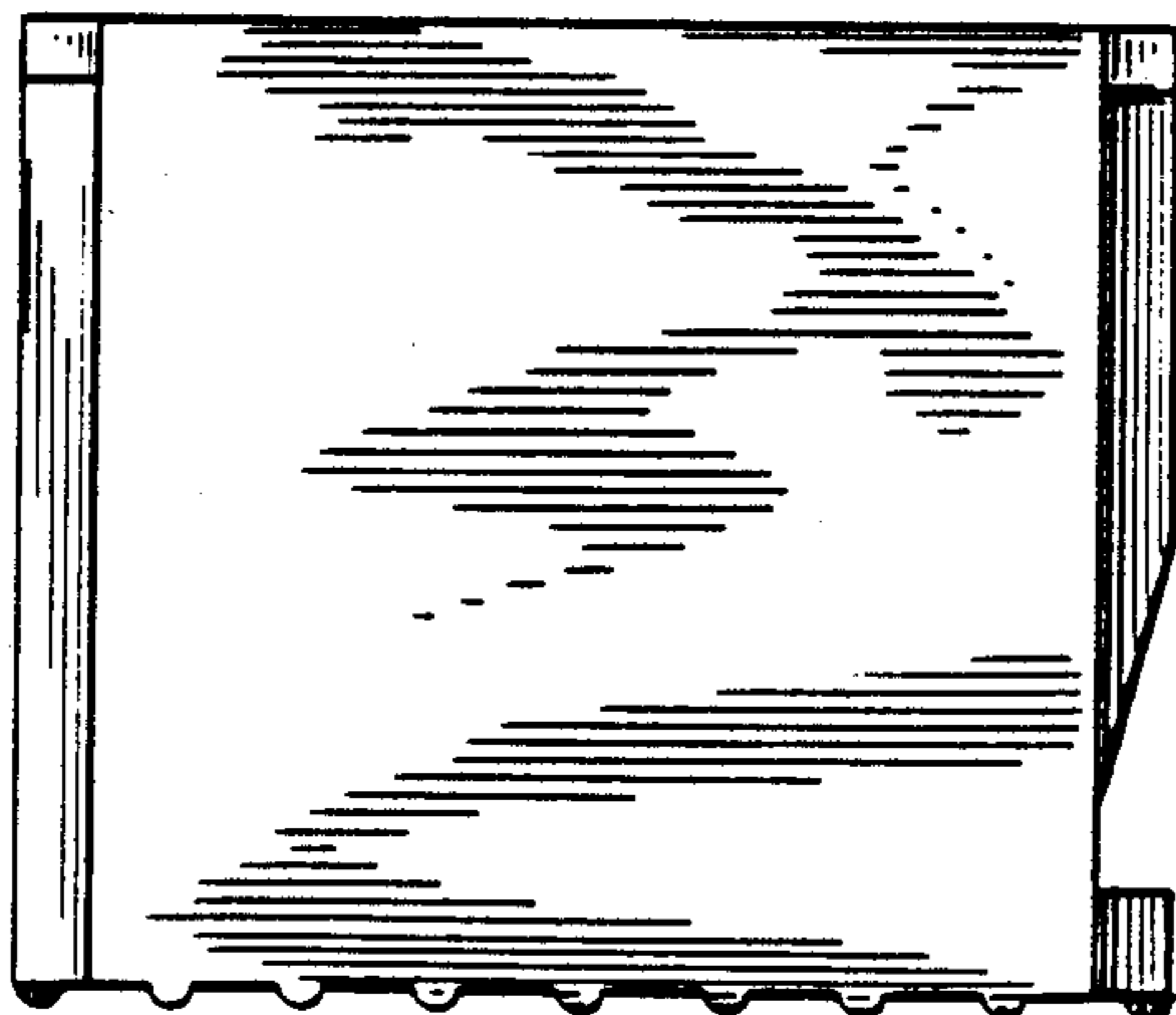


Fig. 6