

[54] COMBINED SCISSORS AND LETTER OPENER STRUCTURE

[75] Inventor: Mel Evenson, San Pedro, Calif.

[73] Assignee: Eldon Industries, Inc., Inglewood, Calif.

[**] Term: 14 Years

[21] Appl. No.: 156,194

[22] Filed: Feb. 16, 1988

[52] U.S. Cl. D8/104; D8/57

[58] Field of Search D8/104, 57, 4, 5, 7; 30/194, DIG. 3, 289, 294, 254-262, 131, 134-135

[56] References Cited

U.S. PATENT DOCUMENTS

D. 11,279	7/1879	Lillard	D8/57
D. 126,408	4/1941	Trollen .	
D. 137,344	2/1944	Schlesinger .	
D. 144,228	3/1946	Winslow et al. .	
D. 179,223	11/1956	Schwartz .	
D. 180,424	6/1957	Schwartz .	
D. 205,589	8/1966	Laughlin .	
D. 234,058	1/1975	Stahel .	
D. 247,606	3/1978	Bizeope .	
D. 259,794	7/1981	Henkels .	
D. 276,975	1/1985	Wordtmann .	
D. 277,450	2/1985	Hayashi .	
D. 280,283	8/1985	Asano .	
2,105,239	1/1938	Bachtold .	

Primary Examiner—Bernard Ansher

Assistant Examiner—Terry A. Pfeffer

[57] CLAIM

The ornamental design for a combined scissors and letter opener structure, as shown and described.

DESCRIPTION

FIG. 1 is a top plan view of a combined scissors and letter opener structure showing my new design with the levers thereof in a closed position;
 FIG. 2 is a side elevational view of the right side thereof;
 FIG. 3 is a bottom plan view thereof;
 FIG. 4 is a side elevational view of the left side thereof;
 FIG. 5 is a rear elevational view thereof;
 FIG. 6 is a front elevational view thereof;
 FIG. 7 is a top plan view corresponding to FIG. 1 with the letter opener part of one of the levers of the structure removed;
 FIG. 8 is a bottom plan view of FIG. 7;
 FIG. 9 is a right side elevational view of FIG. 7, the opposite side being a mirror image view of FIG. 4;
 FIG. 10 is a rear elevational view of FIG. 7;
 FIG. 11 is a front elevational view of FIG. 7;
 FIG. 12 is a top plan view of the letter opener part, the bottom plan view being a mirror image of this view;
 FIG. 13 is a right side elevational view of FIG. 12;
 FIG. 14 is a left side elevational view of FIG. 12;
 FIG. 15 is a rear elevational view of FIG. 12;
 FIG. 16 is a front elevational view of FIG. 12;
 FIG. 17 is a perspective view thereof;
 FIG. 18 is an exploded perspective view thereof.
 FIGS. 7 through 16 are shown separated for clarity of illustration.

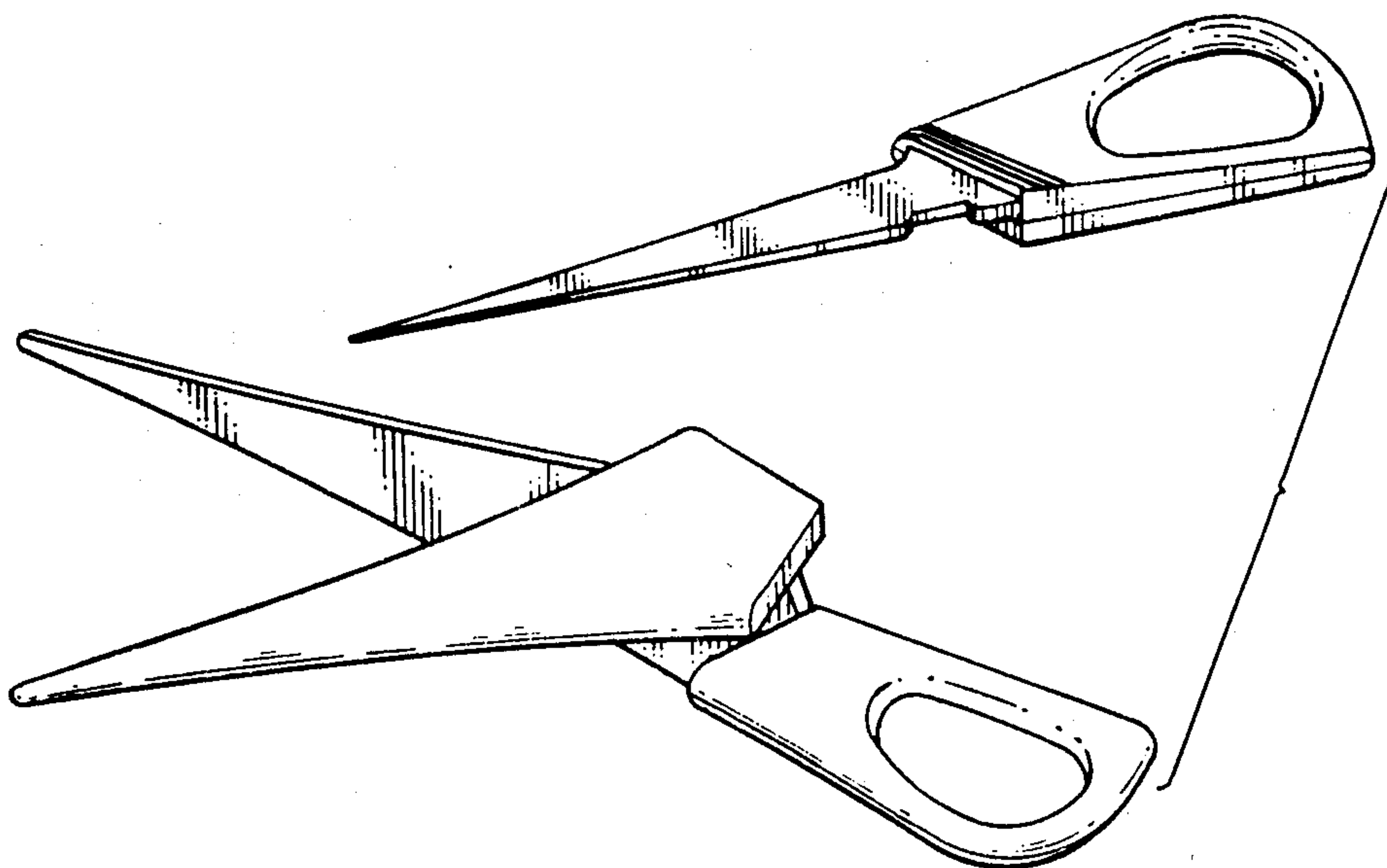


FIG. 1.

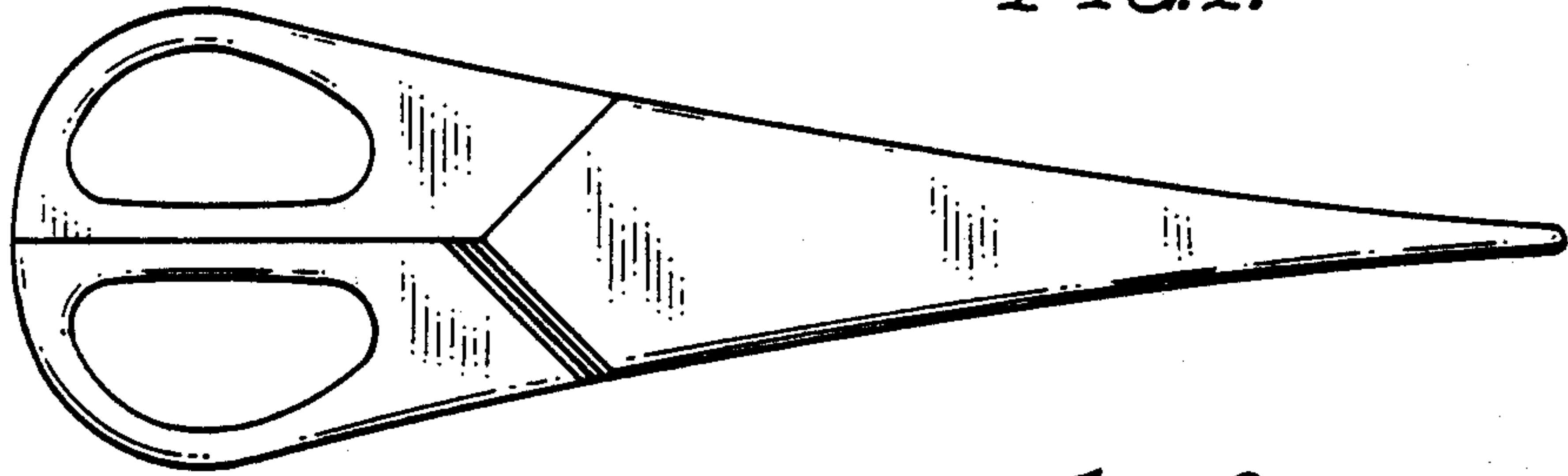


FIG. 2.

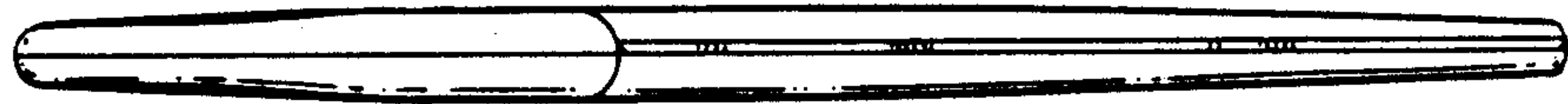


FIG. 3.

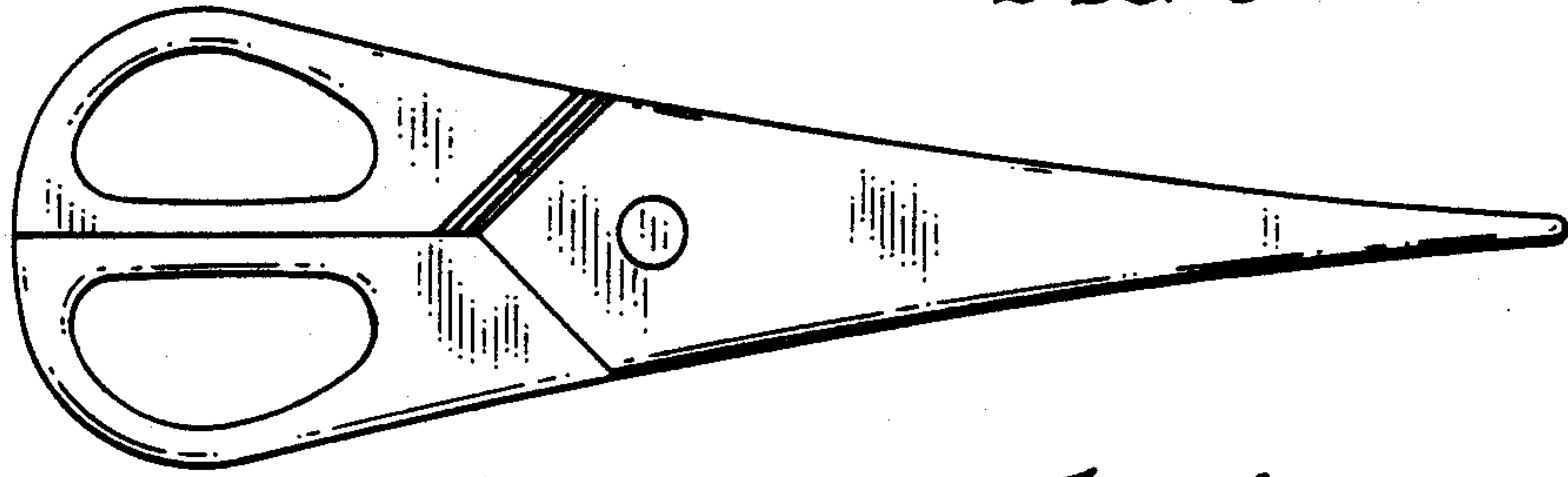


FIG. 4.

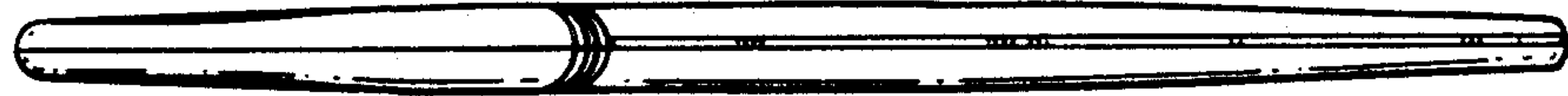


FIG. 5.



FIG. 6.



FIG. 7.

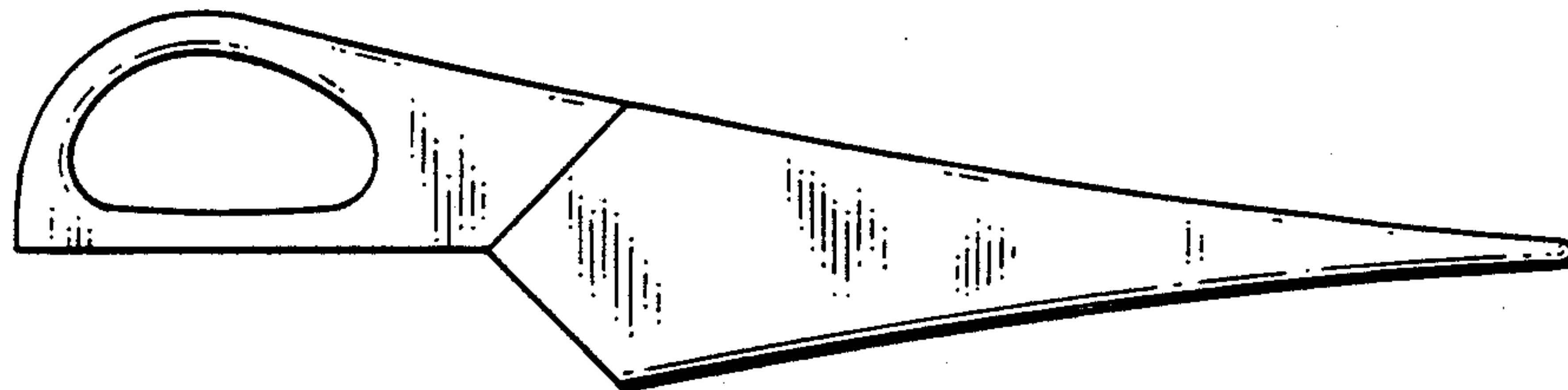


FIG. 8.

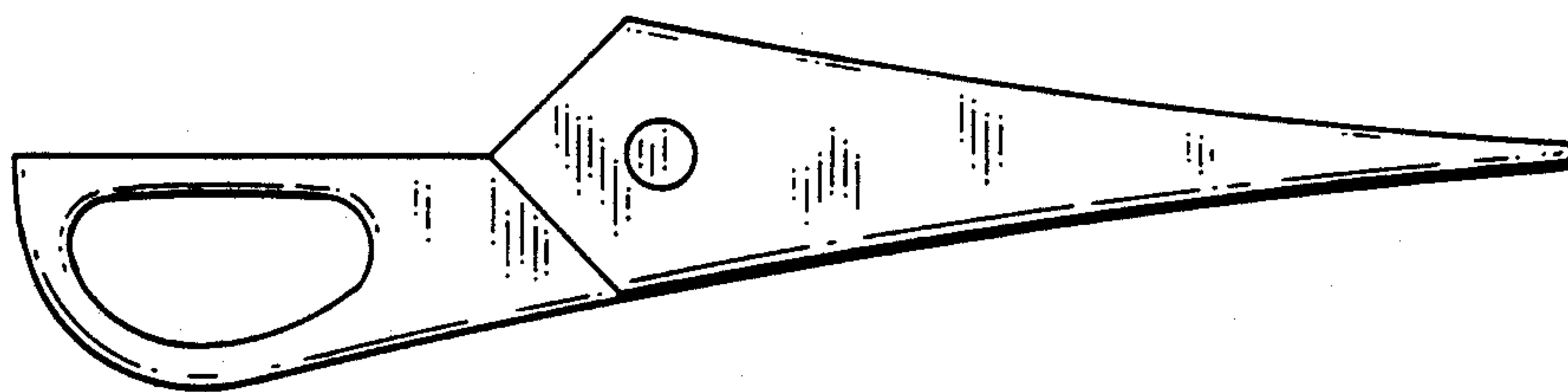


FIG. 9.

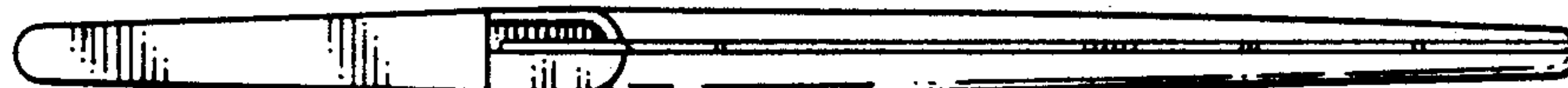


FIG. 10.



FIG. 11.



FIG. 12.



FIG. 13.



FIG. 14.

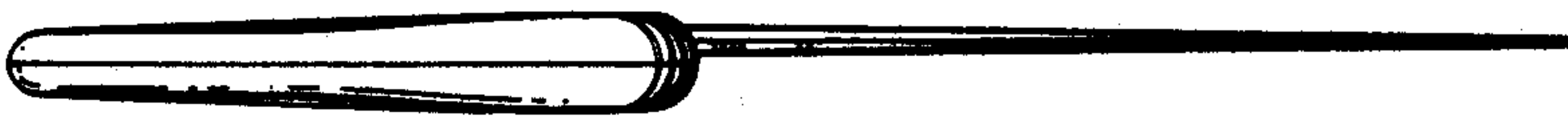


FIG. 15.



FIG. 16.



FIG. 17.

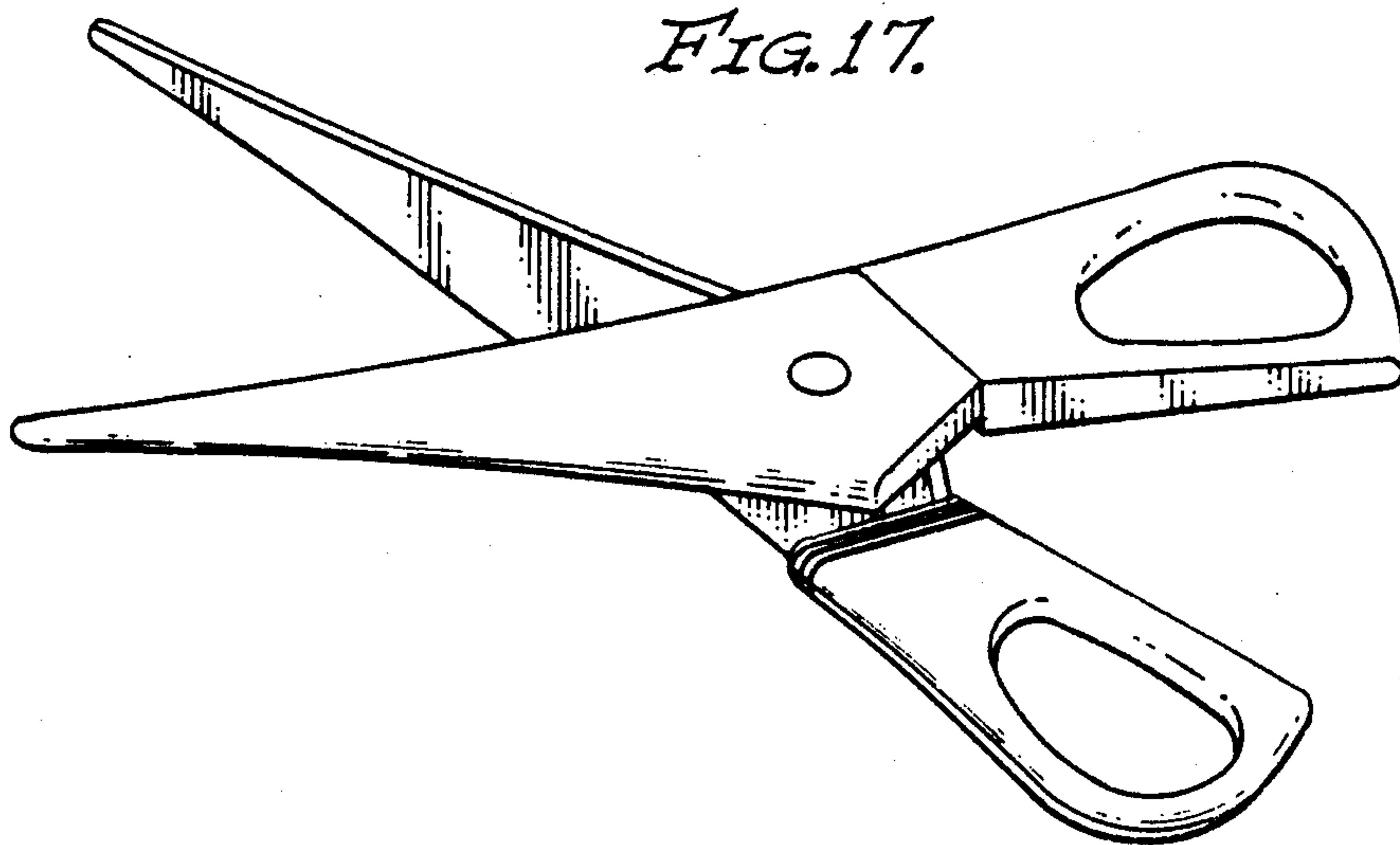


FIG. 18.

