

[54] **ELECTRIC STAPLER**

4,592,502 6/1986 Judge 227/131

[75] **Inventor: Robert B. Staubitz, Avon, Conn.**

[73] **Assignee: The Stanley Works, New Britain, Conn.**

[**] **Term: 14 Years**

[21] **Appl. No.: 135,993**

[22] **Filed: Dec. 21, 1987**

[52] **U.S. Cl. D8/69**

[58] **Field of Search D8/49, 50, 61, 67, 68, D8/69; 227/8, 10, 120, 130, 131, 132**

[56] **References Cited**

U.S. PATENT DOCUMENTS

D. 164,203	5/1950	Sasser	D8/50
D. 203,142	12/1965	Doherty	D8/69
D. 205,862	9/1966	Doherty	D8/69
D. 210,978	5/1968	Preble, Jr.	D8/49
D. 241,501	9/1976	Doyle et al.	D8/49
D. 254,706	4/1980	Barrett et al.	D8/49
D. 266,221	9/1982	Ewig	D8/49
D. 282,345	1/1986	Fehrs	D8/49
D. 288,060	2/1987	Somers	D8/69
3,589,587	6/1971	Manganaro	227/131
3,786,978	1/1974	Manganaro	227/8
3,797,723	3/1974	Perkins et al.	227/109
4,005,812	2/1977	Doyle et al.	227/131
4,033,500	7/1977	Manganaro	227/131
4,183,453	1/1980	Barrett et al.	227/131
4,189,080	2/1980	Smith et al.	227/8
4,230,249	10/1980	Nasiatka et al.	227/123
4,293,088	10/1981	Barrett et al.	227/131
4,305,541	12/1981	Barrett et al.	227/120
4,349,143	9/1982	Ewig	227/131
4,417,681	11/1983	Bernecki et al.	227/8
4,491,262	1/1985	Ewig	227/131
4,500,936	2/1985	Dulin	361/152
4,556,803	12/1985	Weigert	307/140
4,573,621	3/1986	Merkator et al.	227/8

OTHER PUBLICATIONS

Photographs of a Commercially Available Stapler made by Bostitch (no date provided).
 Illustration of Swingline Electric Staplegun #34201 (no date provided).
 Illustration of Sears Craftsman Electric Stapler/Nailer (no date provided).
 Illustration of Arrow Electro-Matic Staple Gun (no date provided).
 Illustration of Emhart Pop Electric Staple Gun (no date provided).
 Illustration of Black & Decker Electric Flush Stapler (no date provided).

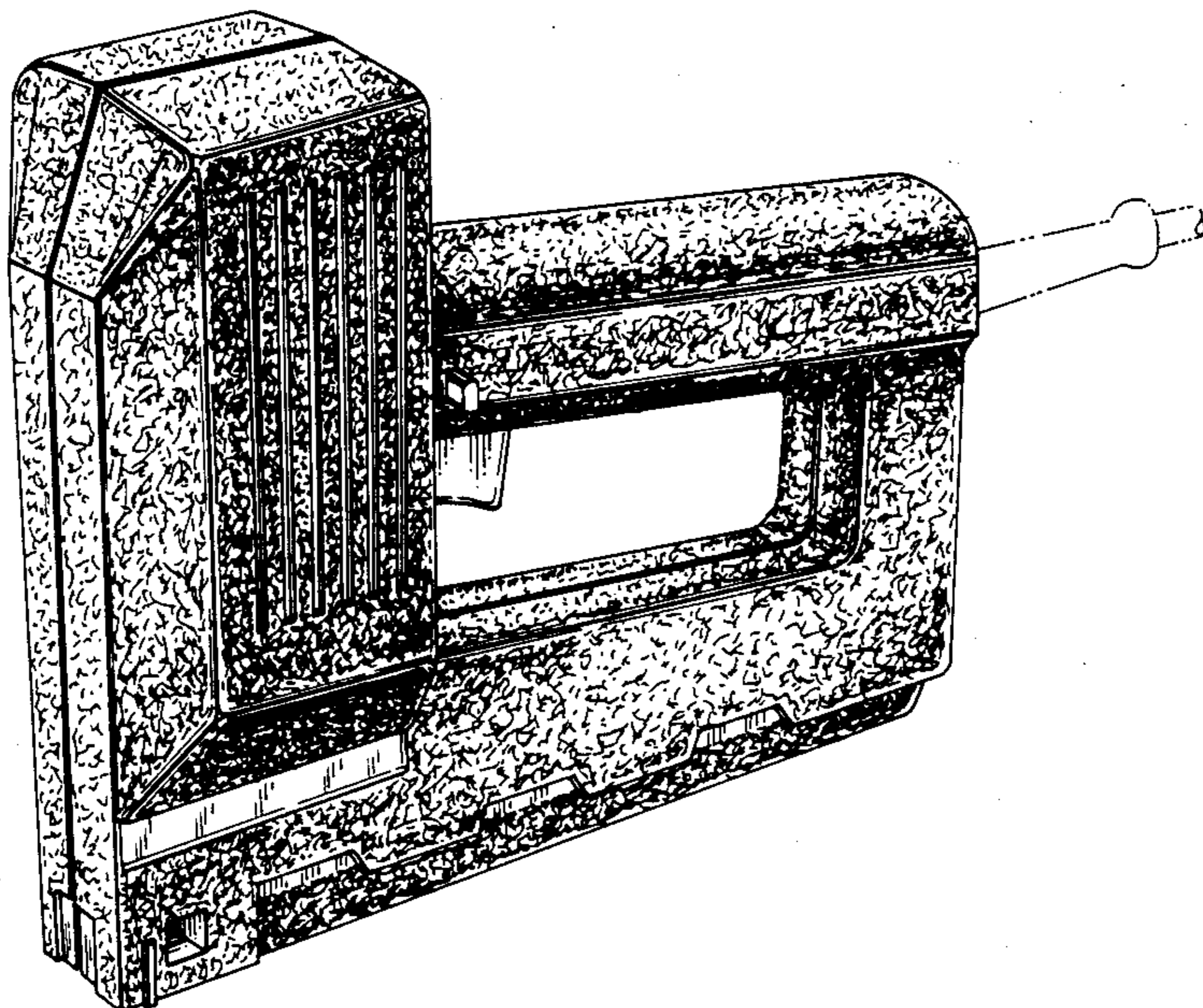
Primary Examiner—Nelson C. Holtje
Assistant Examiner—Gary D. Watson

[57] **CLAIM**

The ornamental design for a electric stapler, as shown and described.

DESCRIPTION

FIG. 1 is a top, front and left side perspective view of an electric stapler showing my new design, the broken line showing of a power cord fragment is illustrative of environmental structure only and forms no part of the claimed design.
 FIG. 2 is a right side elevational view thereof on an enlarged scale.
 FIG. 3 is a bottom plan view thereof on an enlarged scale;
 FIG. 4 is a top plan view thereof on an enlarged scale;
 FIG. 5 is a left side elevational view thereof on an enlarged scale;
 FIG. 6 is a front elevational view thereof on an enlarged scale; and
 FIG. 7 is a rear elevational view thereof on an enlarged scale.



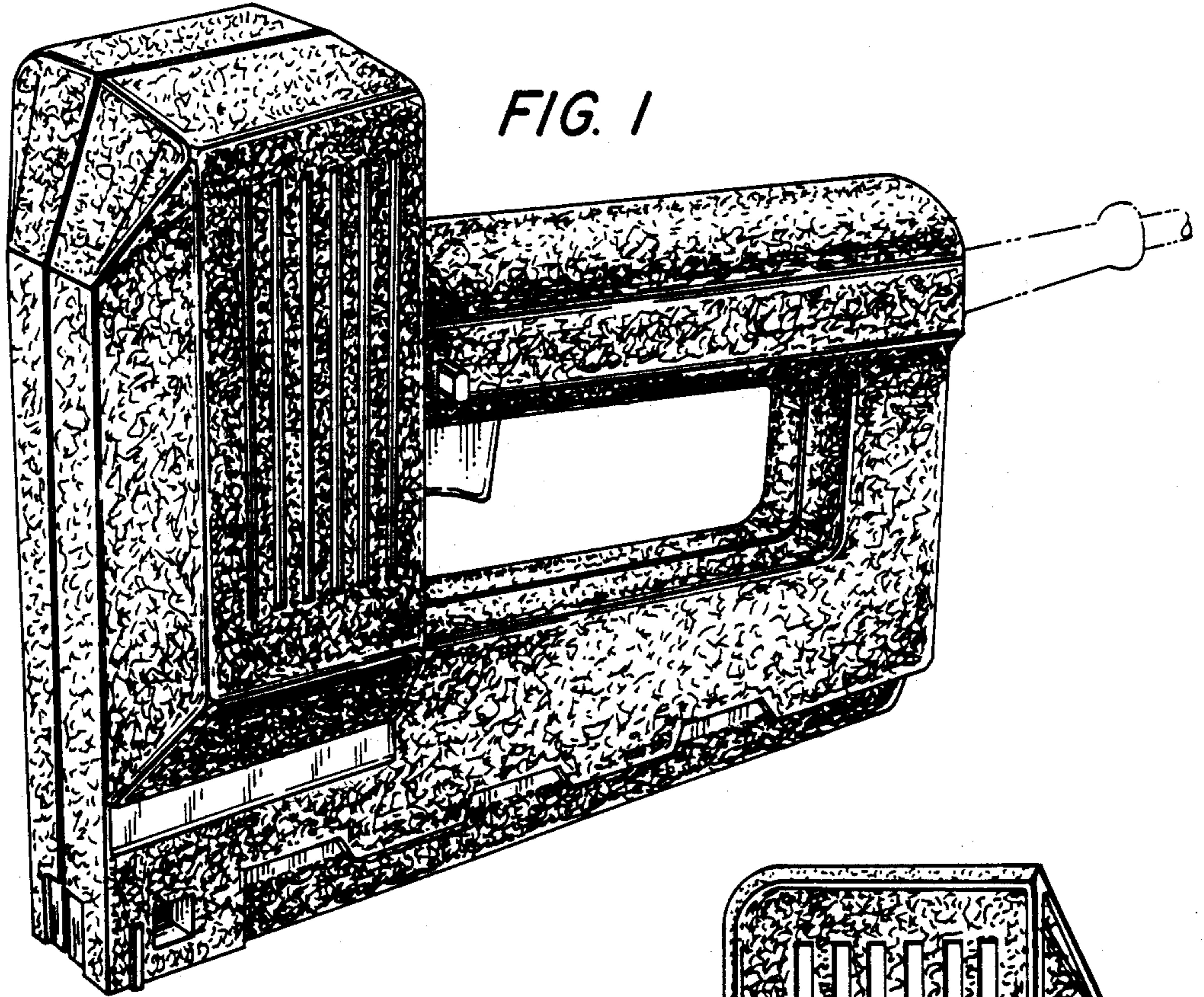


FIG. 1

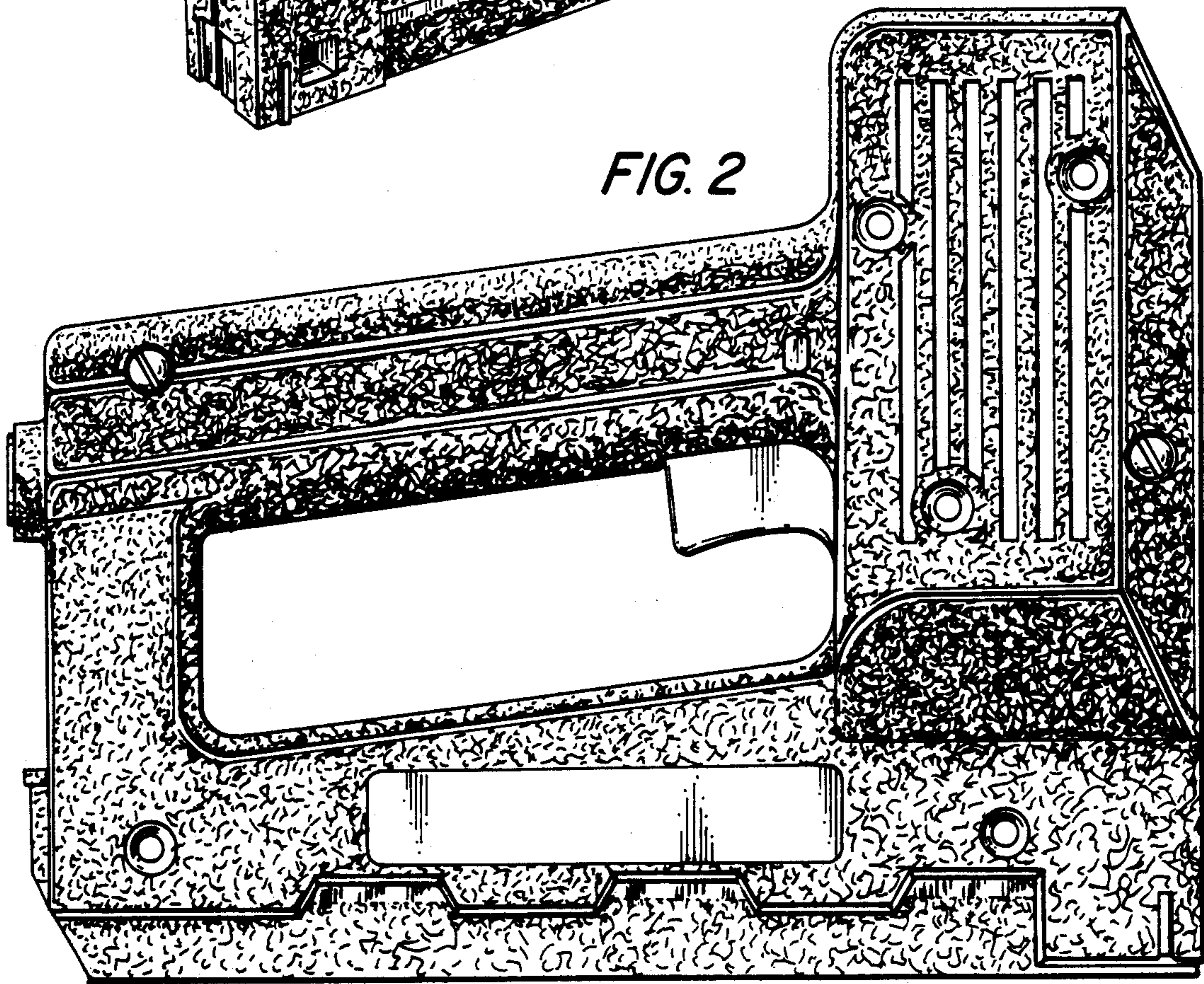


FIG. 2

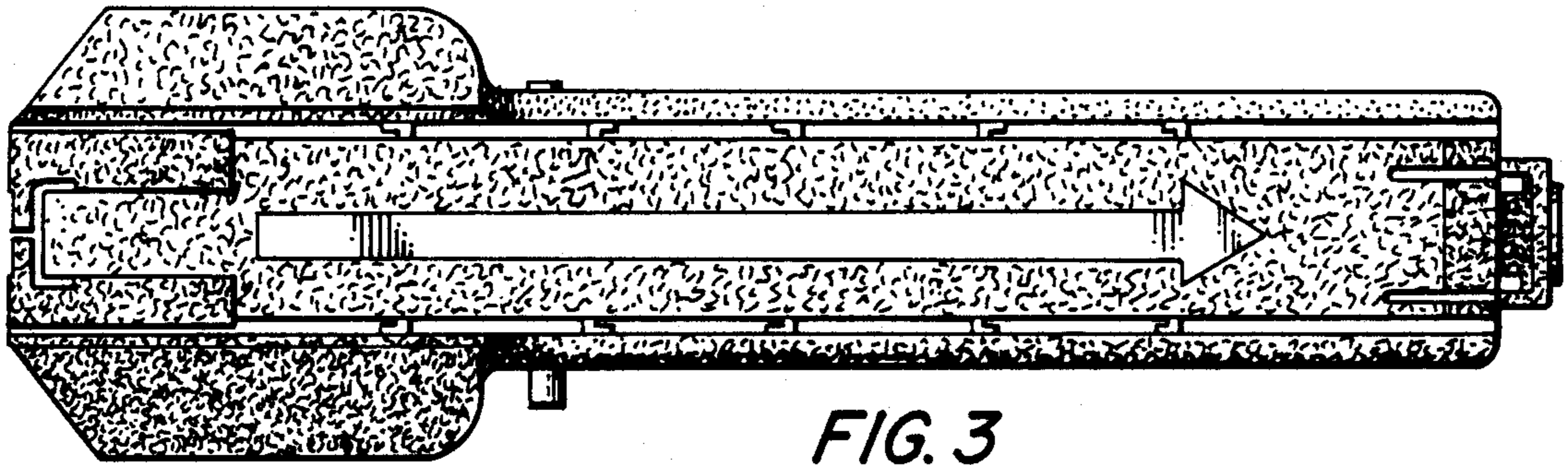


FIG. 3

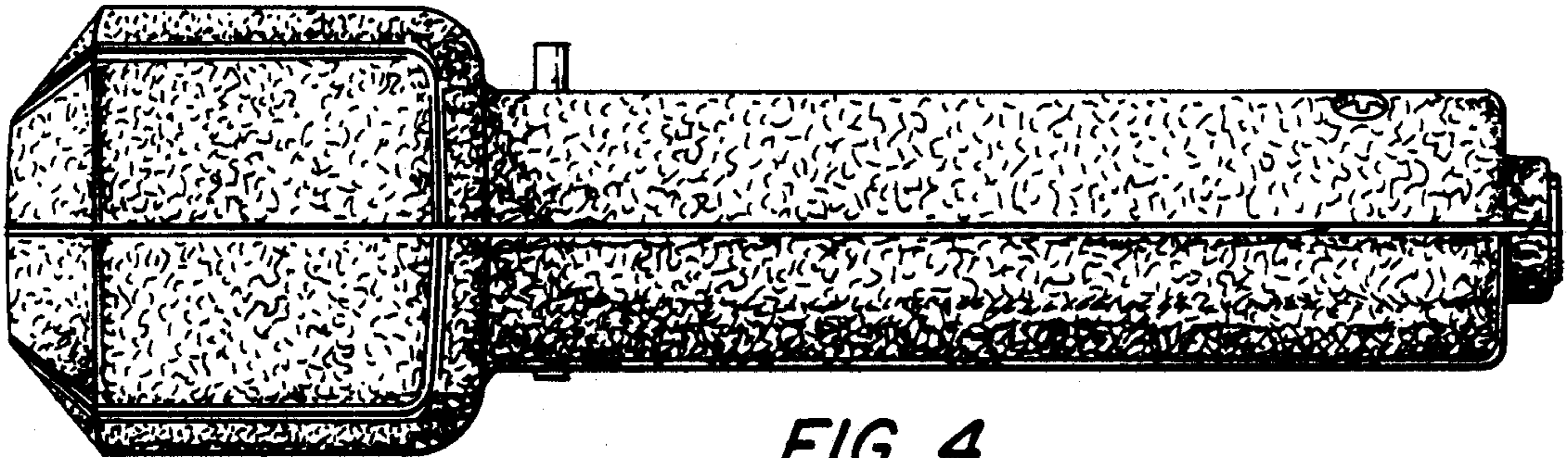


FIG. 4

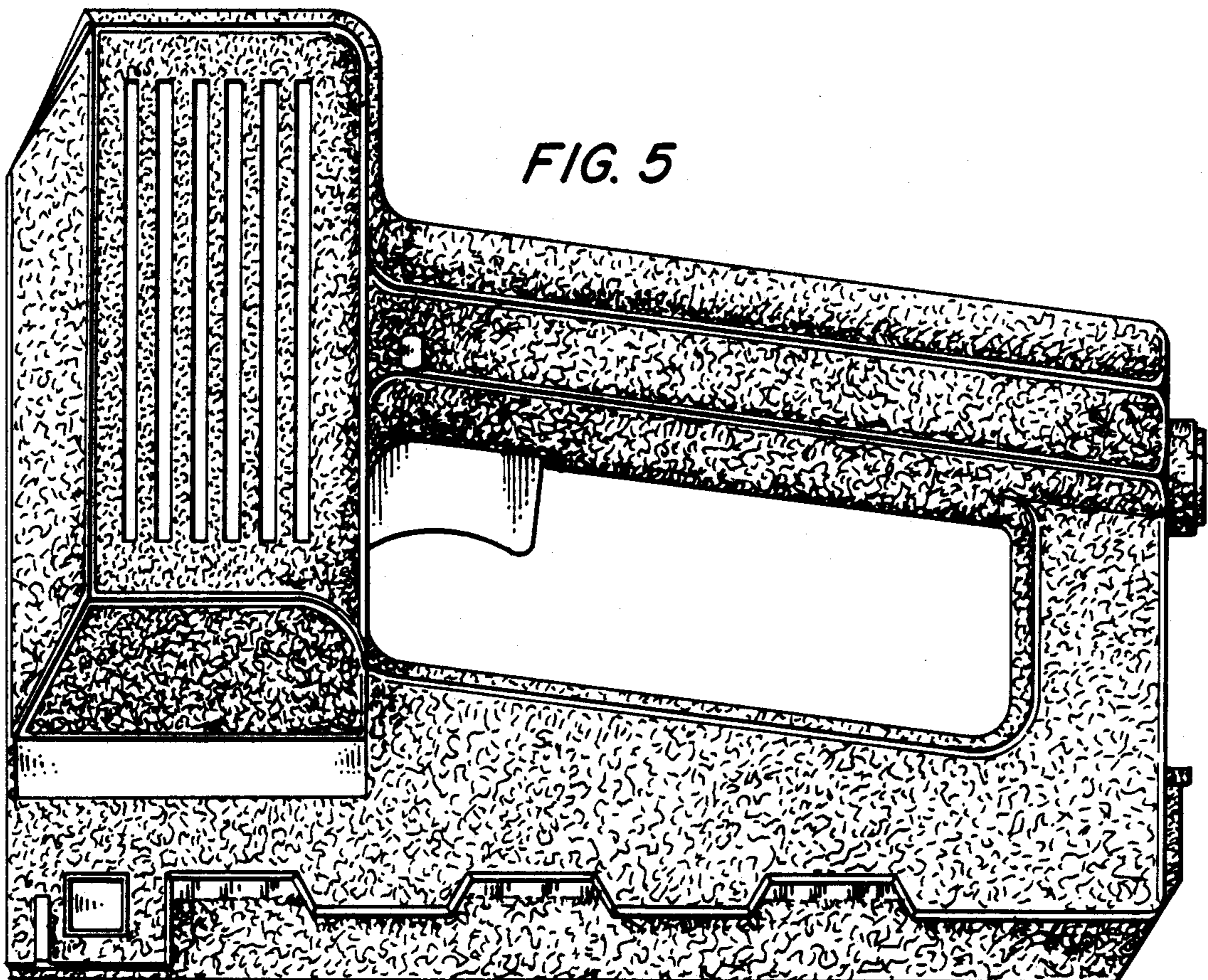


FIG. 5

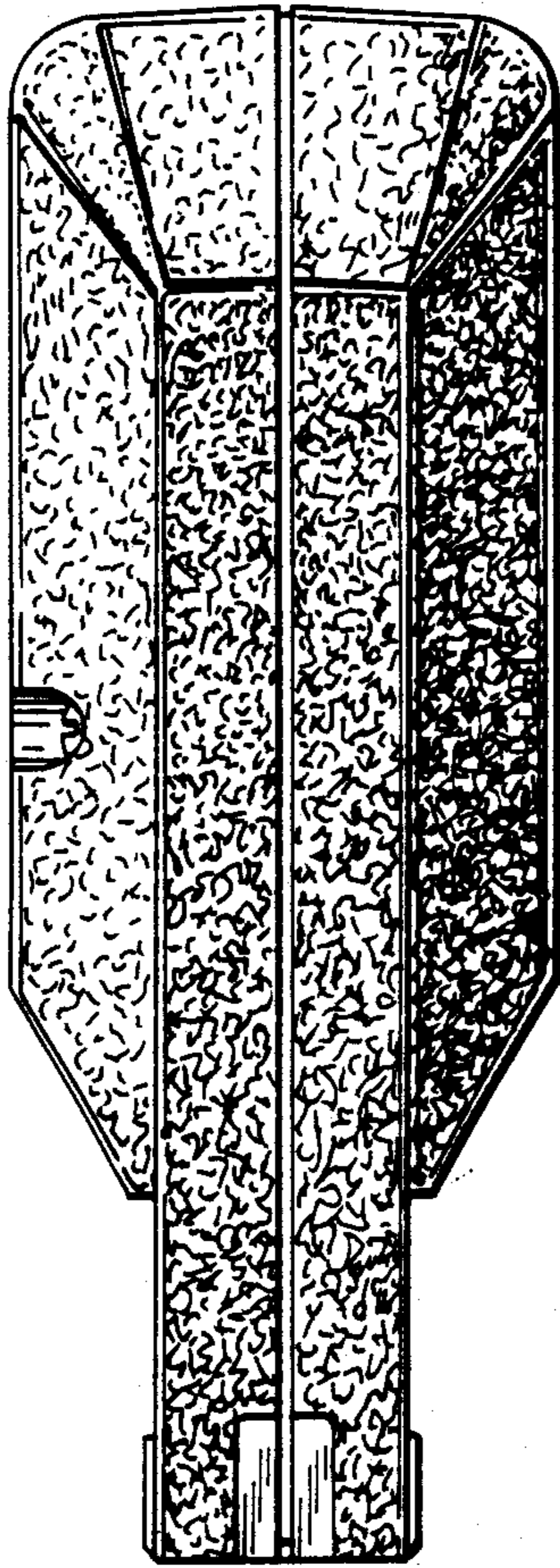


FIG. 6

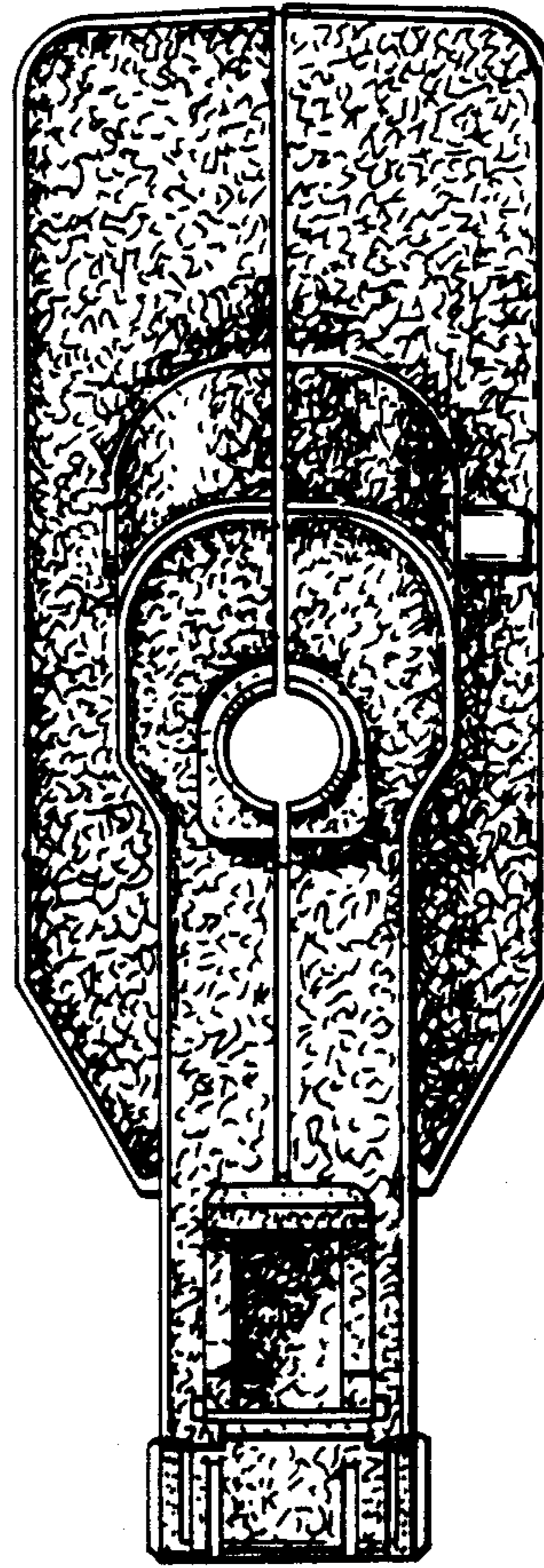


FIG. 7