

[54] CIRCULAR SAW

[75] Inventor: Robert I. Somers, Sparks, Md.

[73] Assignee: Black & Decker Inc., Newark, Del.

[**] Term: 14 Years

[21] Appl. No.: 54,660

[22] Filed: May 8, 1987

[52] U.S. Cl. D8/66

[58] Field of Search D8/64, 66; 30/390, 391, 30/388, 377

[56] References Cited

U.S. PATENT DOCUMENTS

- D. 225,299 5/1972 Boldt D8/66
- D. 281,663 12/1985 Tsuru et al. D8/66
- 4,516,324 5/1985 Heininger, Jr. et al. 30/391 X

OTHER PUBLICATIONS

- AEG Elektrowerkzeuge Catalog, Mar. 1985, cover and pp. 32, 33.
- Bosch Heimwerker-Program Catalog, 1985, front and back cover and p. 9.
- Makita Elektro-Werkzeuge Catalog, 1985, front and back cover and pp. 10-12.

Metabo Expert-Programm Catalog, Mar. 1984, front cover and p. 27.

Skil Elektrowerkzeuge Catalog, 1984, front cover and pp. 3.2 and 3.6.

Skil Catalog, 1985, front cover and p. 24.

Hitachi Ad Sheet, no data supplied.

Black & Decker Gesamtprogramm, 1984/85, pp. 37-38.

Black & Decker Gesamtprogramm, 1985/86, cover and pp. 29-30.

Black & Decker Power Tools and Accessories Catalog, 1987/88, front and back cover and pp. 27-29.

Primary Examiner—Nelson C. Holtje

Assistant Examiner—Gary D. Watson

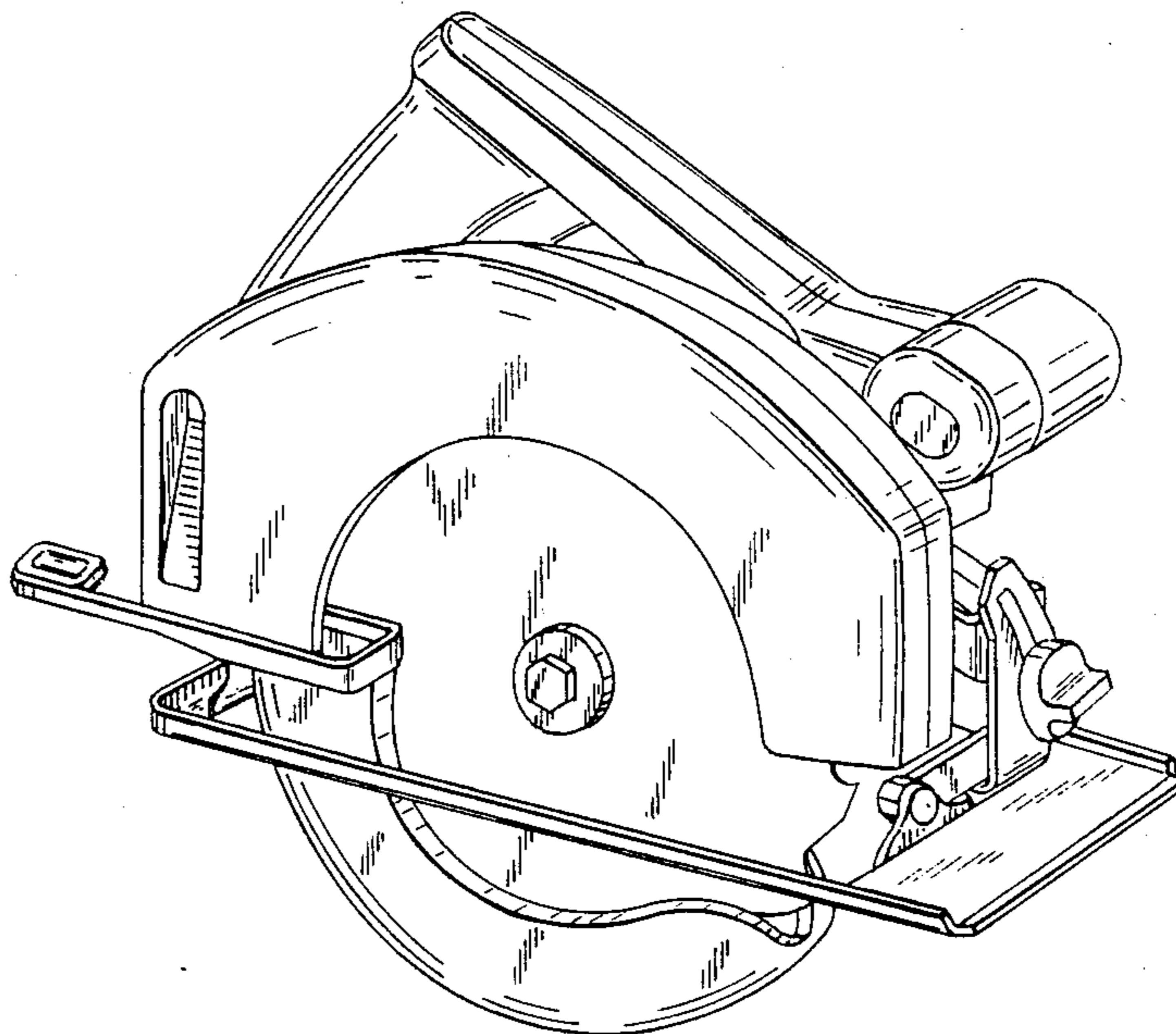
Attorney, Agent, or Firm—Dennis A. Dearing; Charles E. Yocum; John D. Del Ponti

[57] CLAIM

The ornamental design for a circular saw, as shown and described.

DESCRIPTION

FIG. 1 is a top, front and left side perspective view of a circular saw showing my new design;
 FIG. 2 is a right side elevational view thereof;
 FIG. 3 is a left side elevational view thereof;
 FIG. 4 is a front elevational view thereof;
 FIG. 5 is a rear elevational view thereof;
 FIG. 6 is a top plan view thereof; and
 FIG. 7 is a bottom plan view thereof.



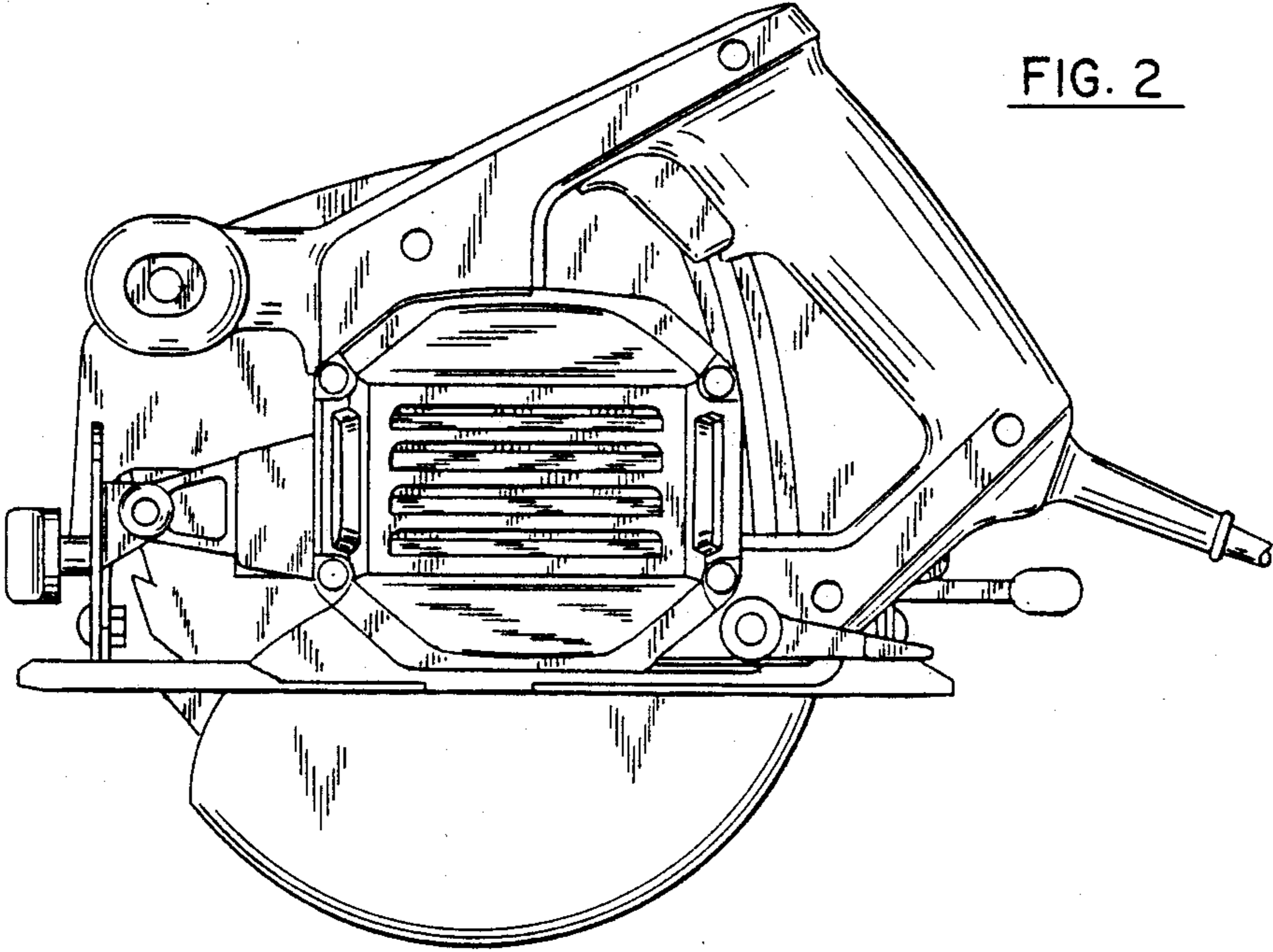
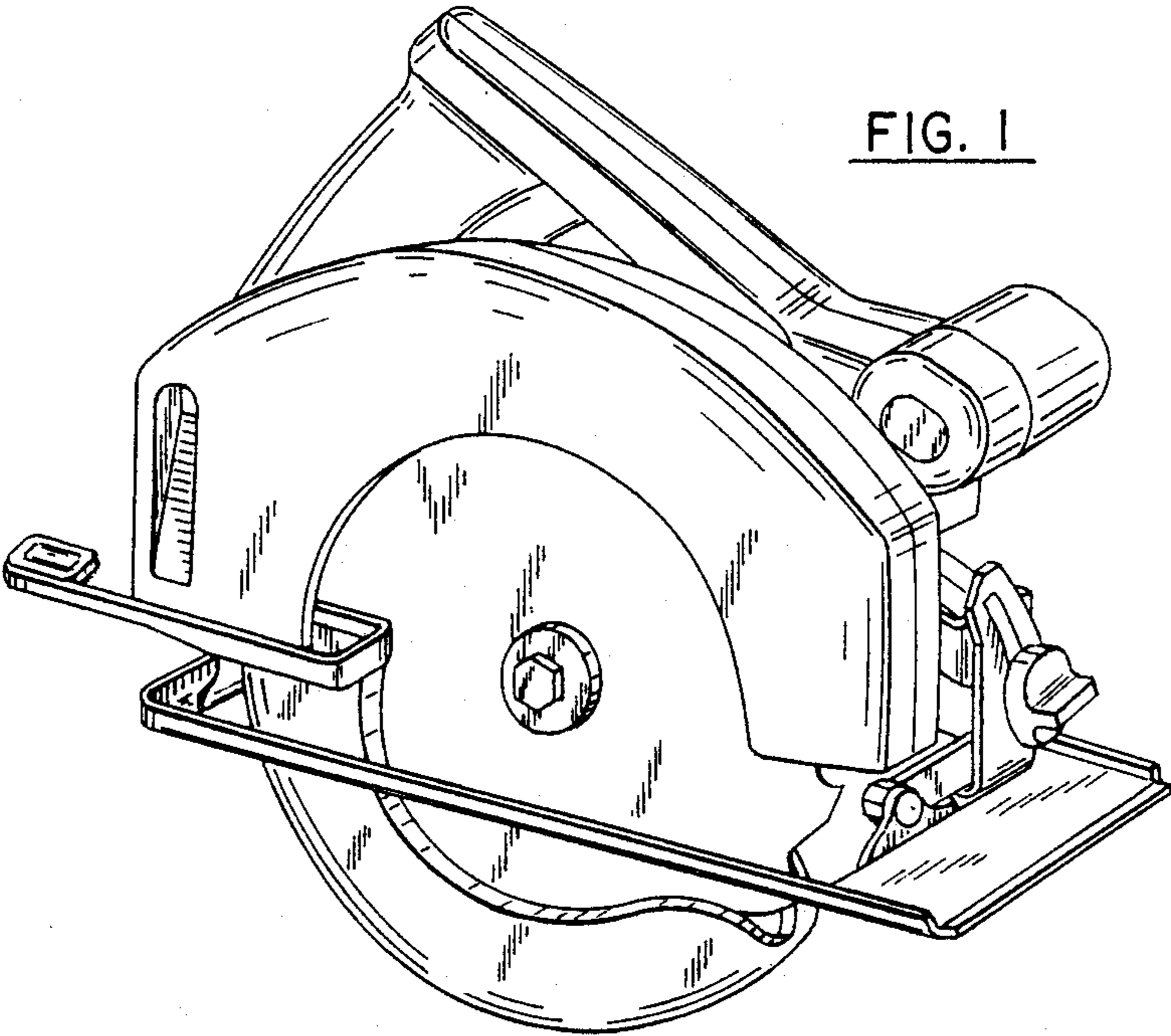


FIG. 3

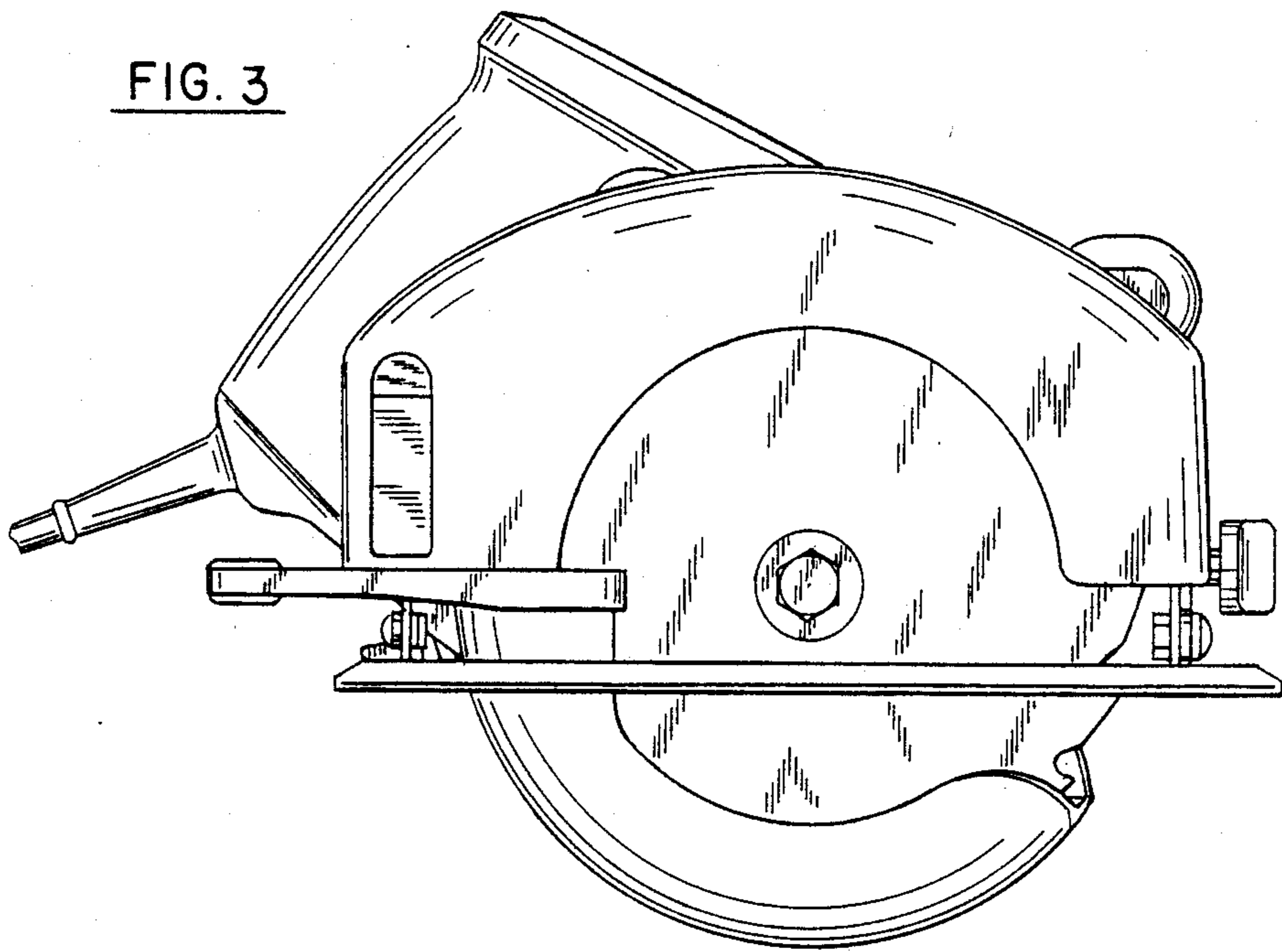


FIG. 4

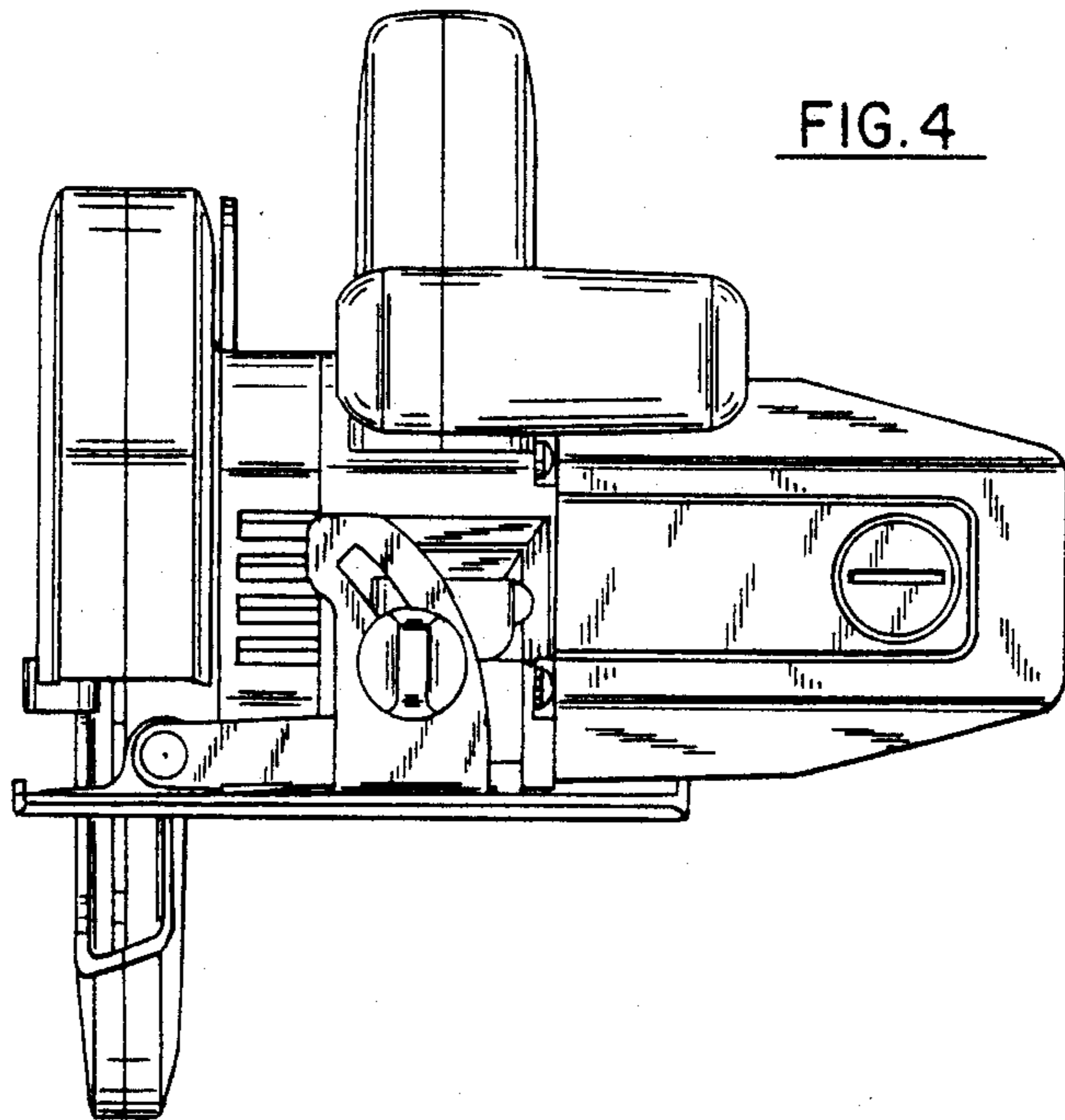
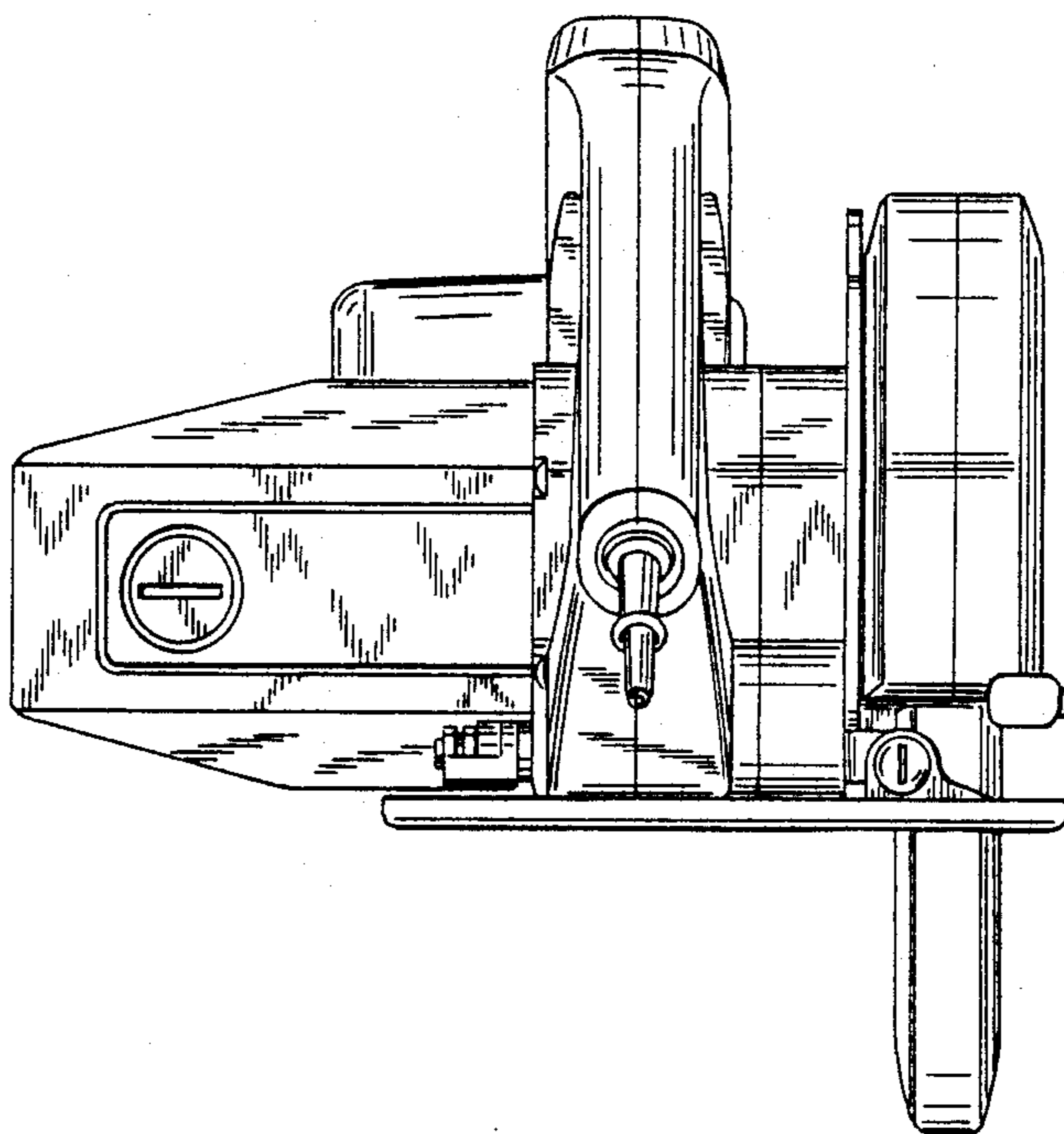


FIG. 5



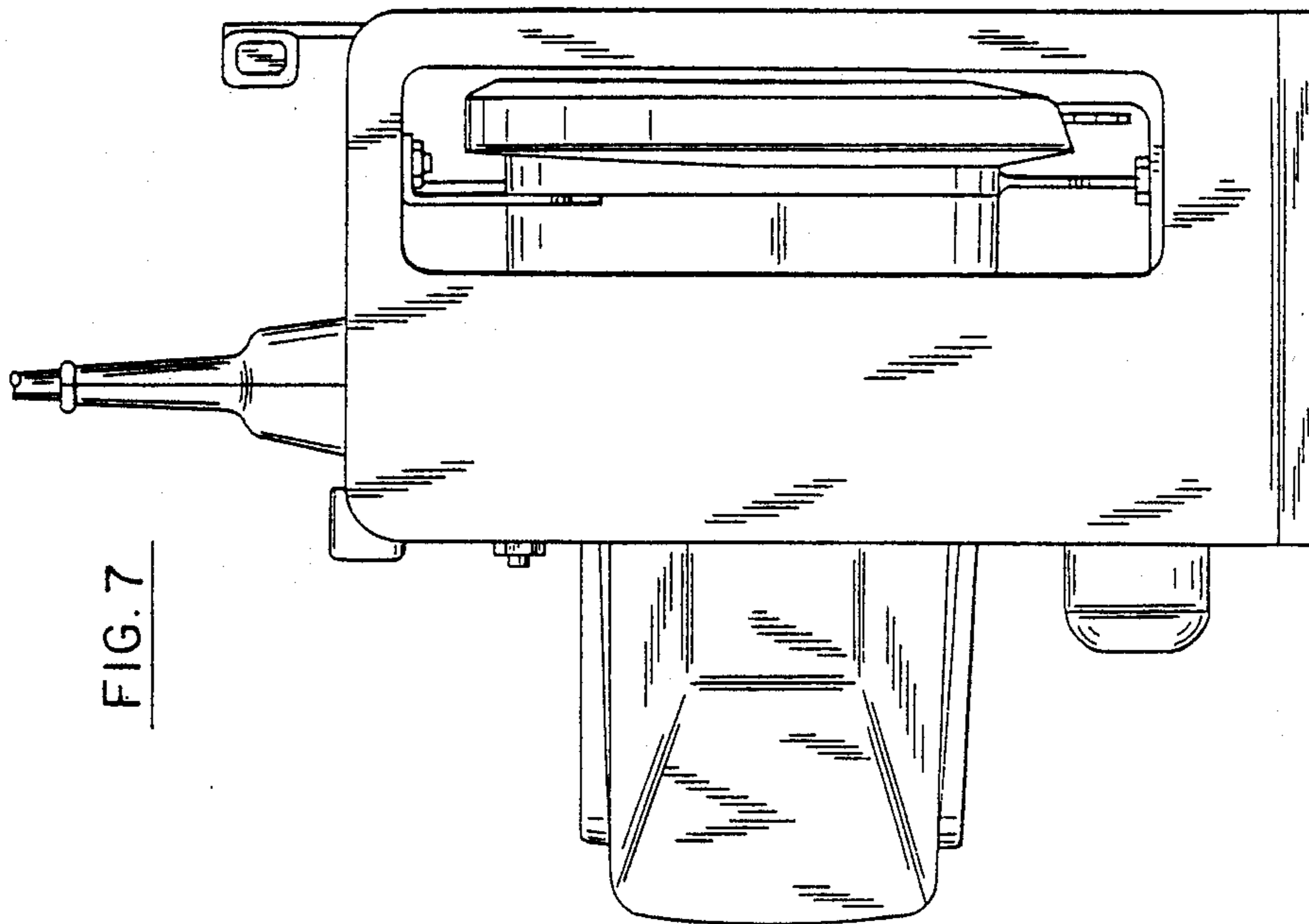


FIG. 7

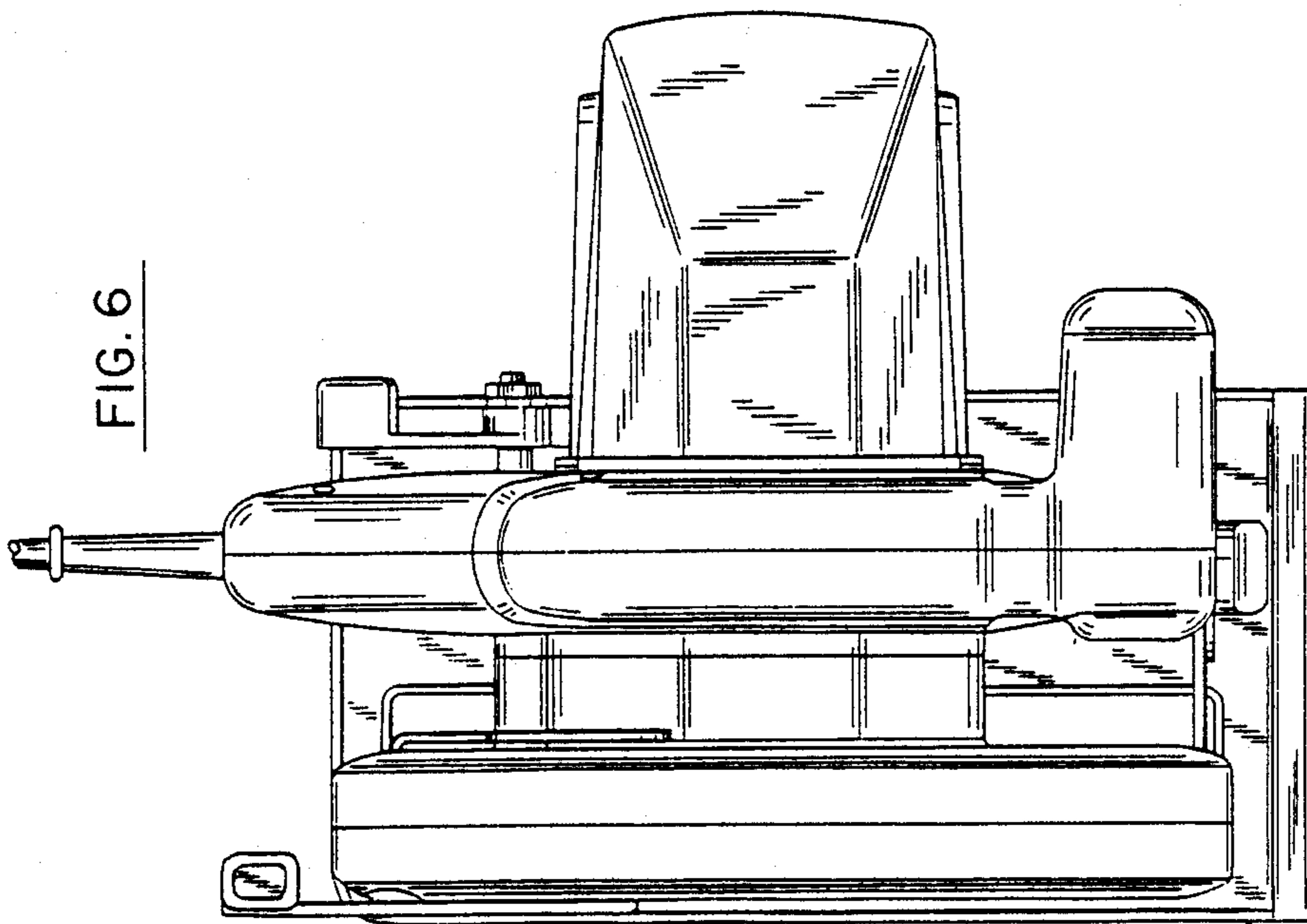


FIG. 6