

[54] WRENCH

3,039,340 6/1962 Livermont D8/21 X

[75] Inventor: Robert D. Lockman, Fort Oglethorpe, Ga.

[73] Assignee: Lockman Enterprises, Inc., Rossville, Ga.

[**] Term: 14 Years

[21] Appl. No.: 261,826

[22] Filed: Oct. 24, 1988

[52] U.S. Cl. D8/21

[58] Field of Search D8/14, 21-29; 81/177.6, 165, 176.1, 119, 124.7, 177.1, 177.2, 62, 61

[56] References Cited

U.S. PATENT DOCUMENTS

- 2,691,315 10/1954 Brame 81/62
- 2,708,855 5/1955 Fish 81/61

OTHER PUBLICATIONS

Richmont Products Catalog p. 5.
Brookstone Catalog Fall 1980 p. 37, Auger handle, top left of page.

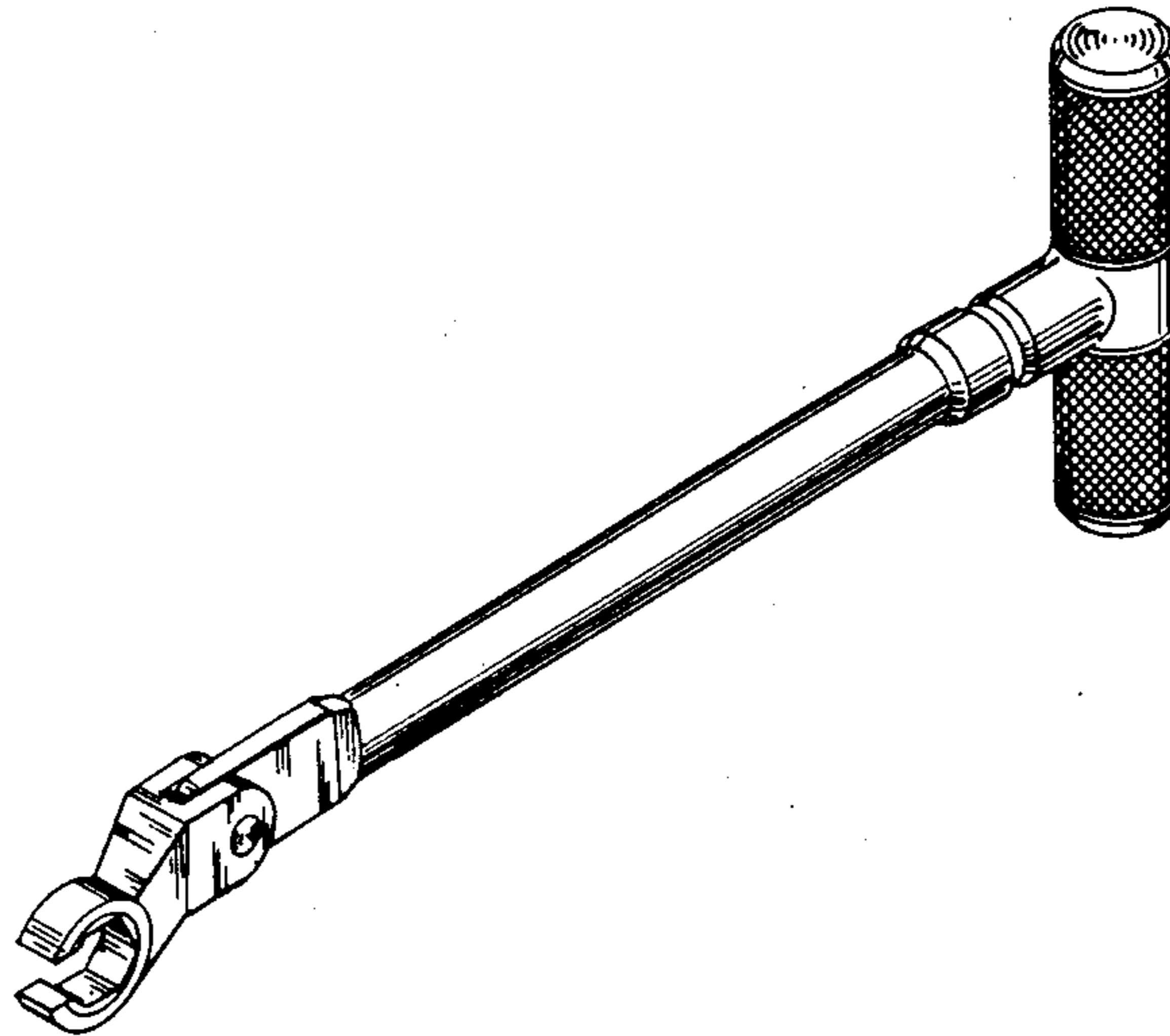
Primary Examiner—Carmen H. Vales-Lado
Attorney, Agent, or Firm—Alan Ruderman

[57] CLAIM

The ornamental design for a wrench, as shown and described.

DESCRIPTION

FIG. 1 is a front perspective view of a wrench embodying my new design;
FIG. 2 is a rear perspective view thereof;
FIG. 3 is a side elevational view thereof; and
FIG. 4 is a top plan view thereof as viewed from the upper surface of FIG. 2.



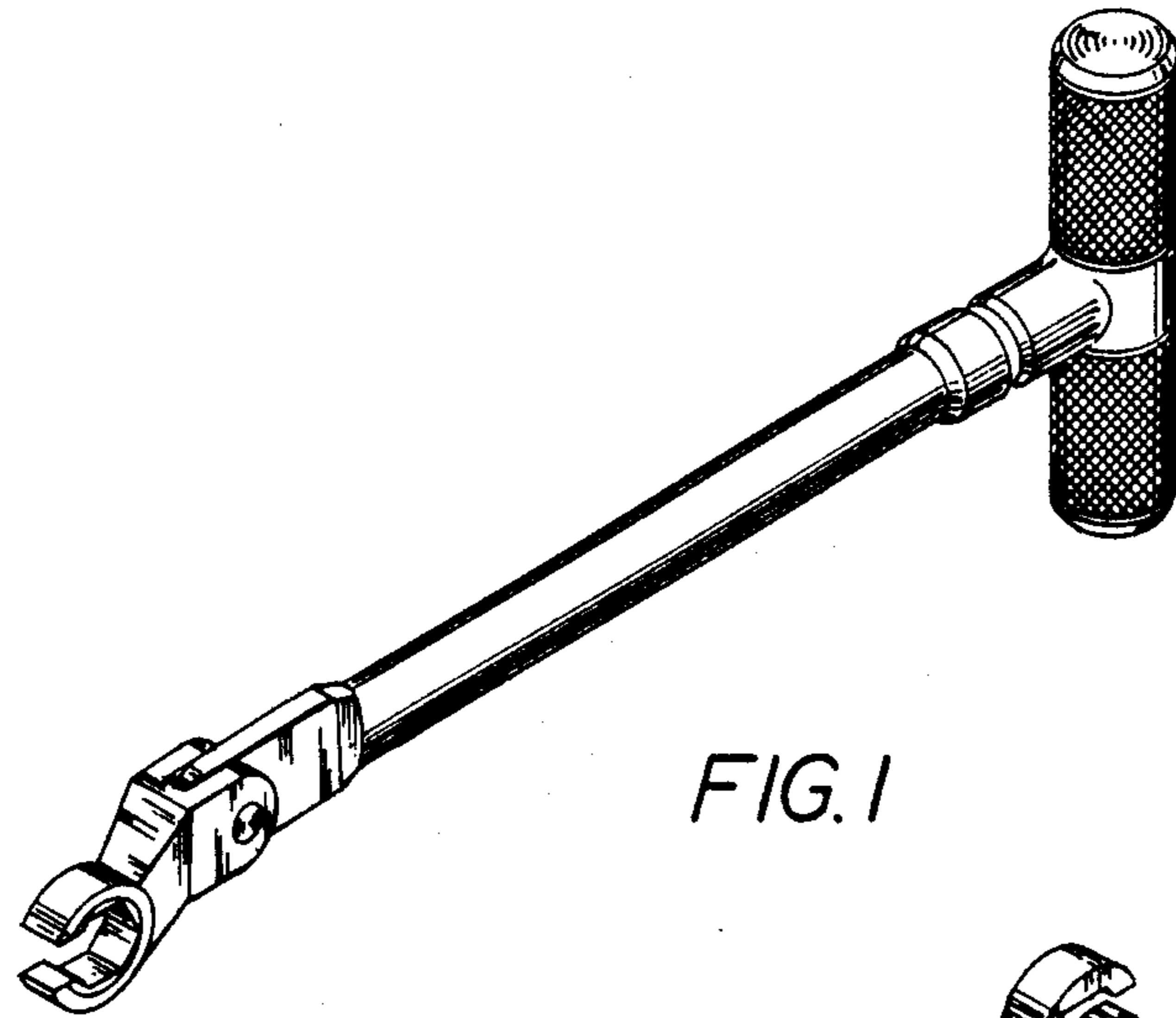


FIG. 1

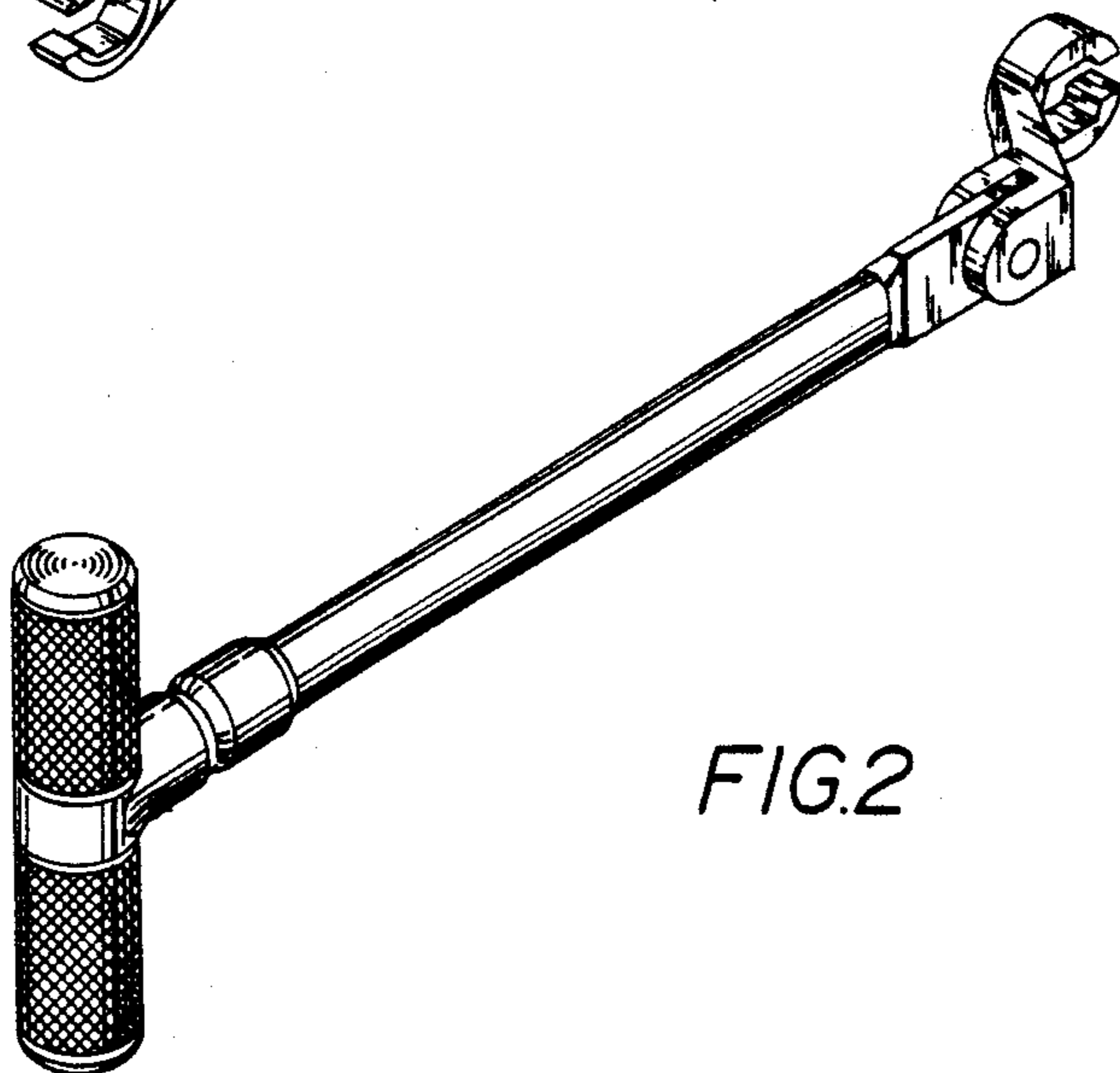


FIG. 2

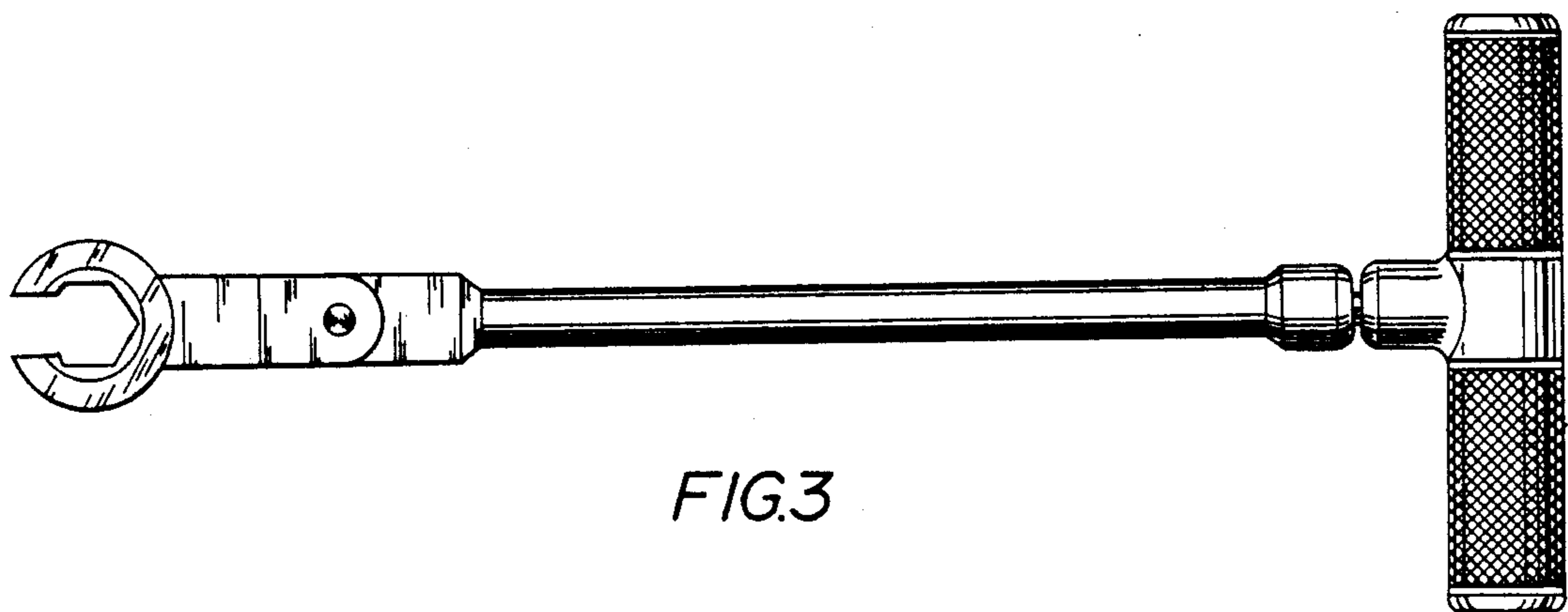


FIG. 3

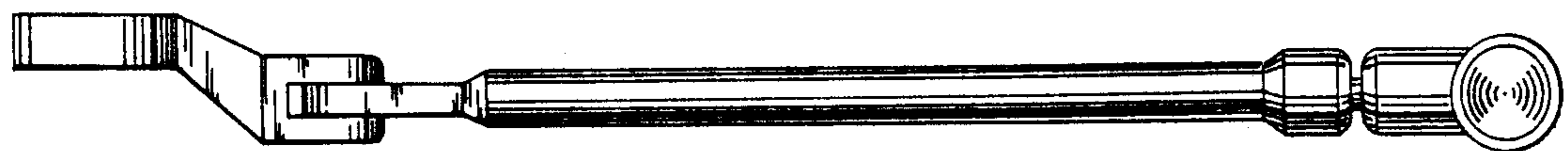


FIG. 4