

[54] **ESPRESSO COFFEE MACHINE**

[75] Inventors: **Bruno Rossio, Milan; Giuseppe Bossi, Legnano; Francesco Roggero, Milan, all of Italy**

[73] Assignee: **Rancilio Macchine Per Caffè S.p.A., Milan, Italy**

[**] Term: **14 Years**

[21] Appl. No.: **193,271**

[22] Filed: **May 11, 1988**

[30] **Foreign Application Priority Data**

Dec. 3, 1987 [IT] Italy 22828/87[U]

[52] U.S. Cl. **D7/309**

[58] Field of Search D7/309, 305, 300, 312, D7/310

[56] **References Cited**

U.S. PATENT DOCUMENTS

D. 288,398 2/1987 Rossio et al. D7/309

D. 296,972 8/1988 Roccio D7/309

D. 299,998 2/1989 Seiffert D7/309

OTHER PUBLICATIONS

Schöner Wohnen, Oct. 1984, p. 112, Espresso and Cappuccino Machine, top right-Poccino.

Primary Examiner—Winifred E. Herrmann
Attorney, Agent, or Firm—Wenderoth, Lind & Ponack

[57] **CLAIM**

The ornamental design for an espresso coffee machine, as shown and described.

DESCRIPTION

FIG. 1 is a top, front, and right side perspective view of an espresso coffee machine showing our new design;

FIG. 2 is a front elevational view thereof;

FIG. 3 is a rear elevational view thereof;

FIG. 4 is an elevational view from the right side thereof;

FIG. 5 is a top plan view thereof;

FIG. 6 is an elevational view from the left side thereof;

and

FIG. 7 is a bottom plan view thereof.

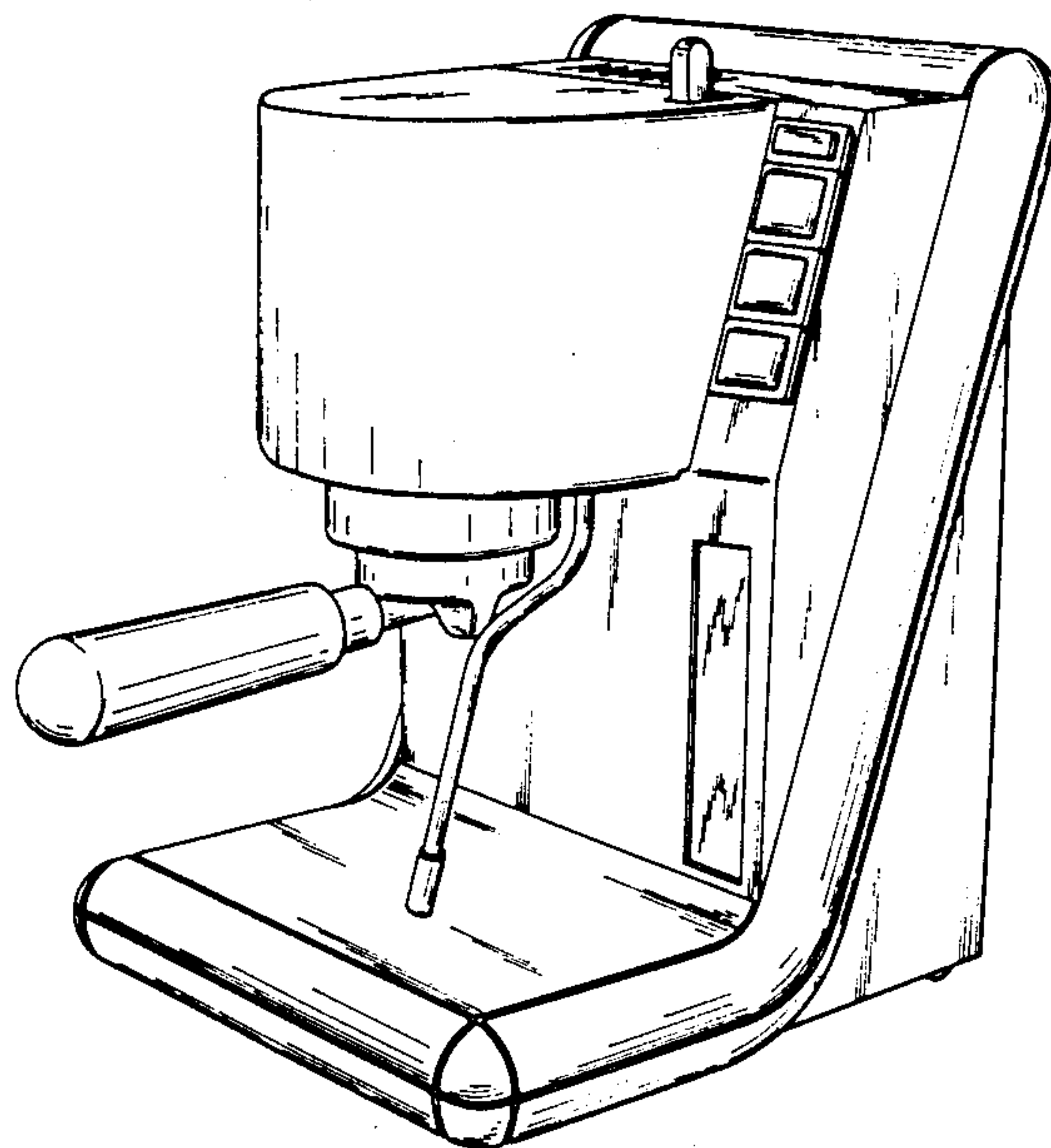


Fig. 1

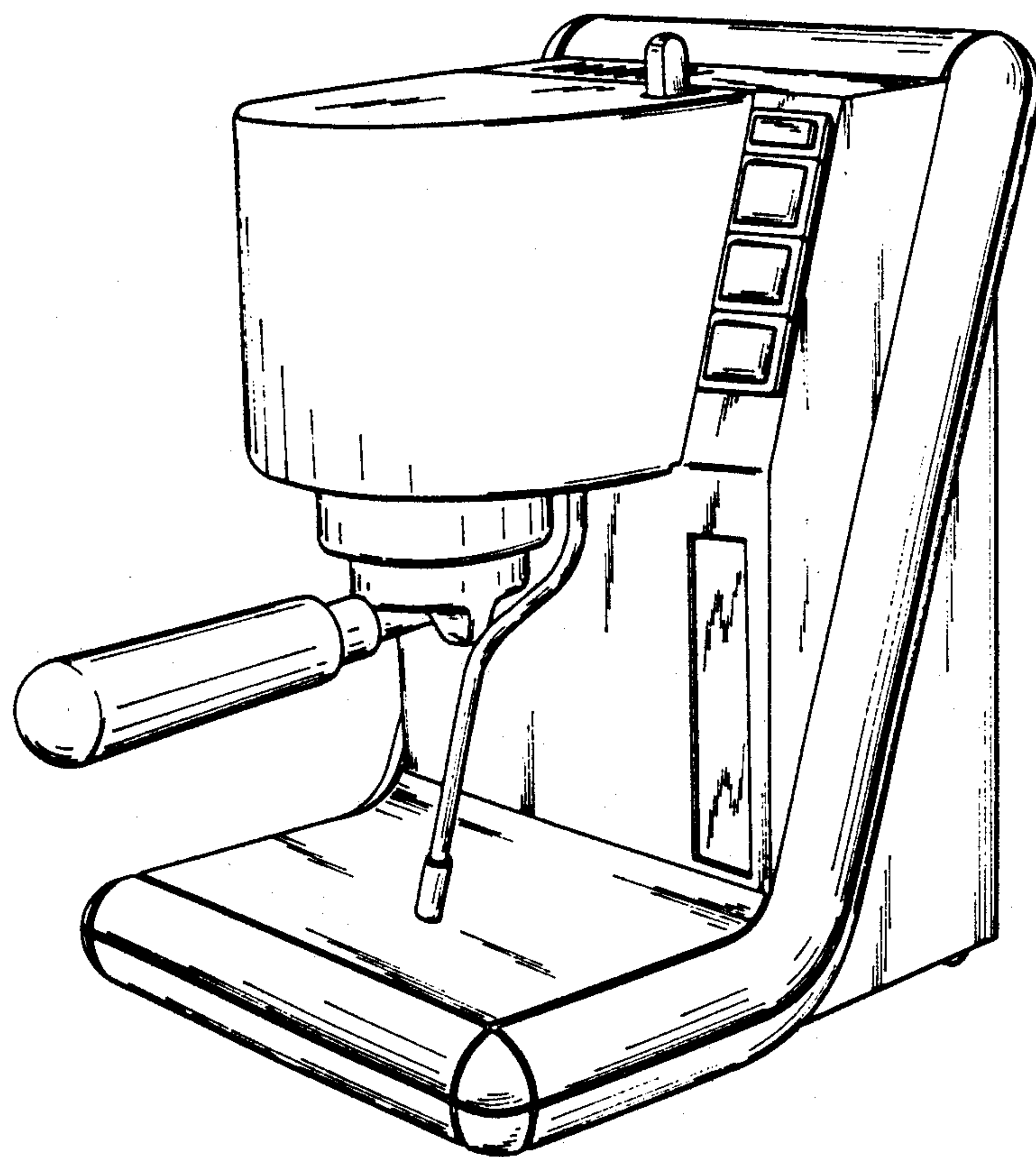


Fig. 2

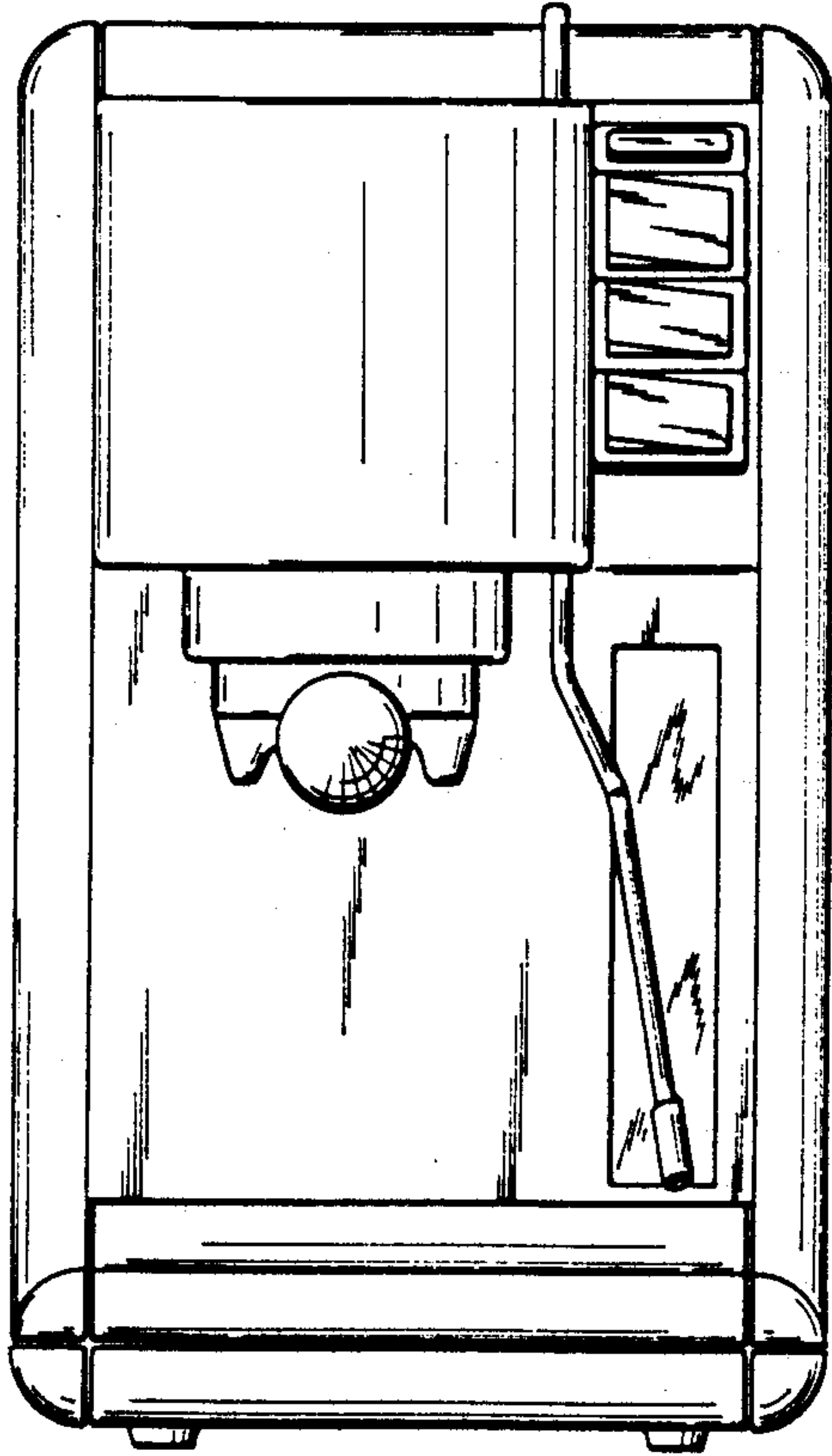
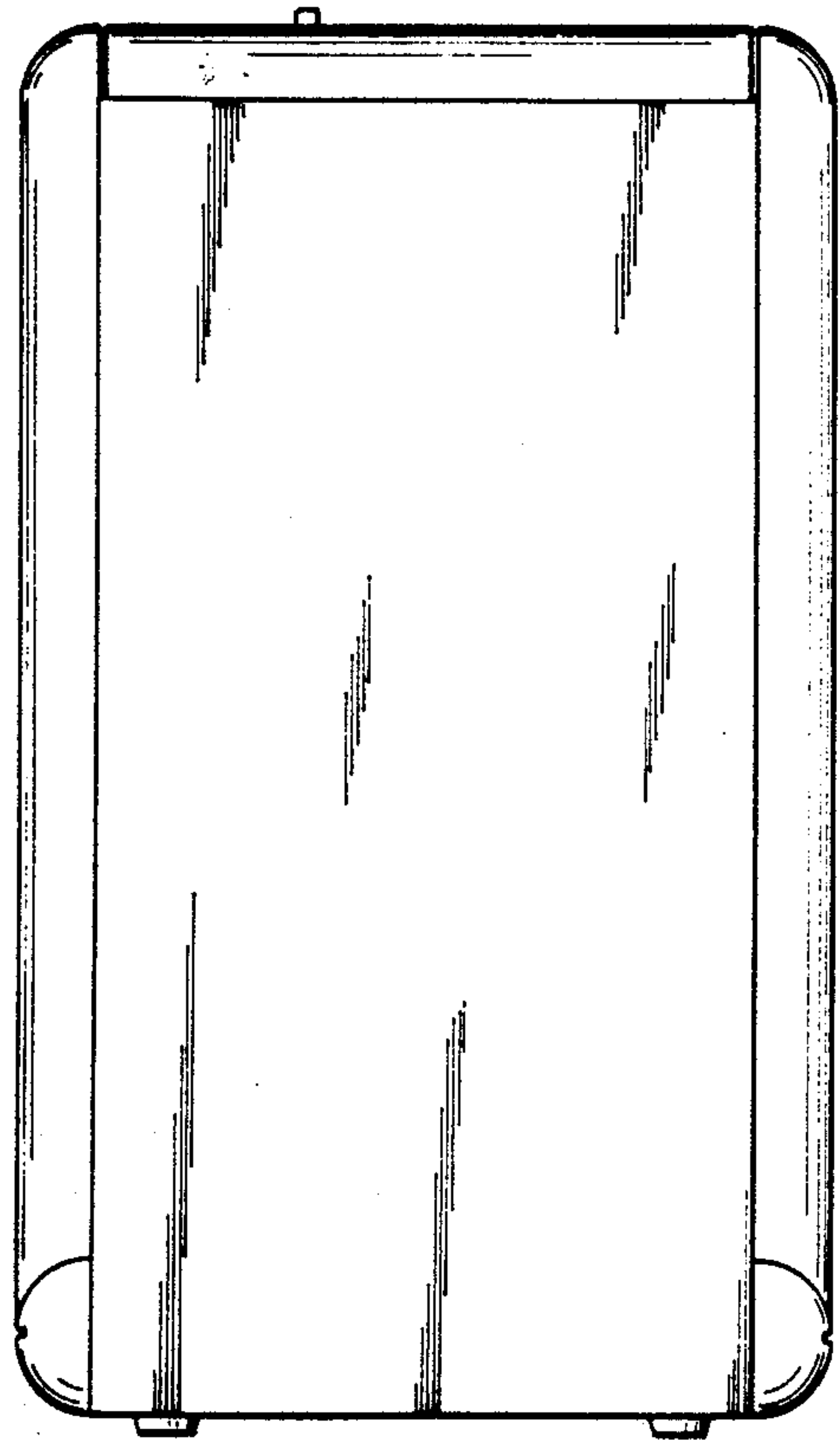


Fig. 3



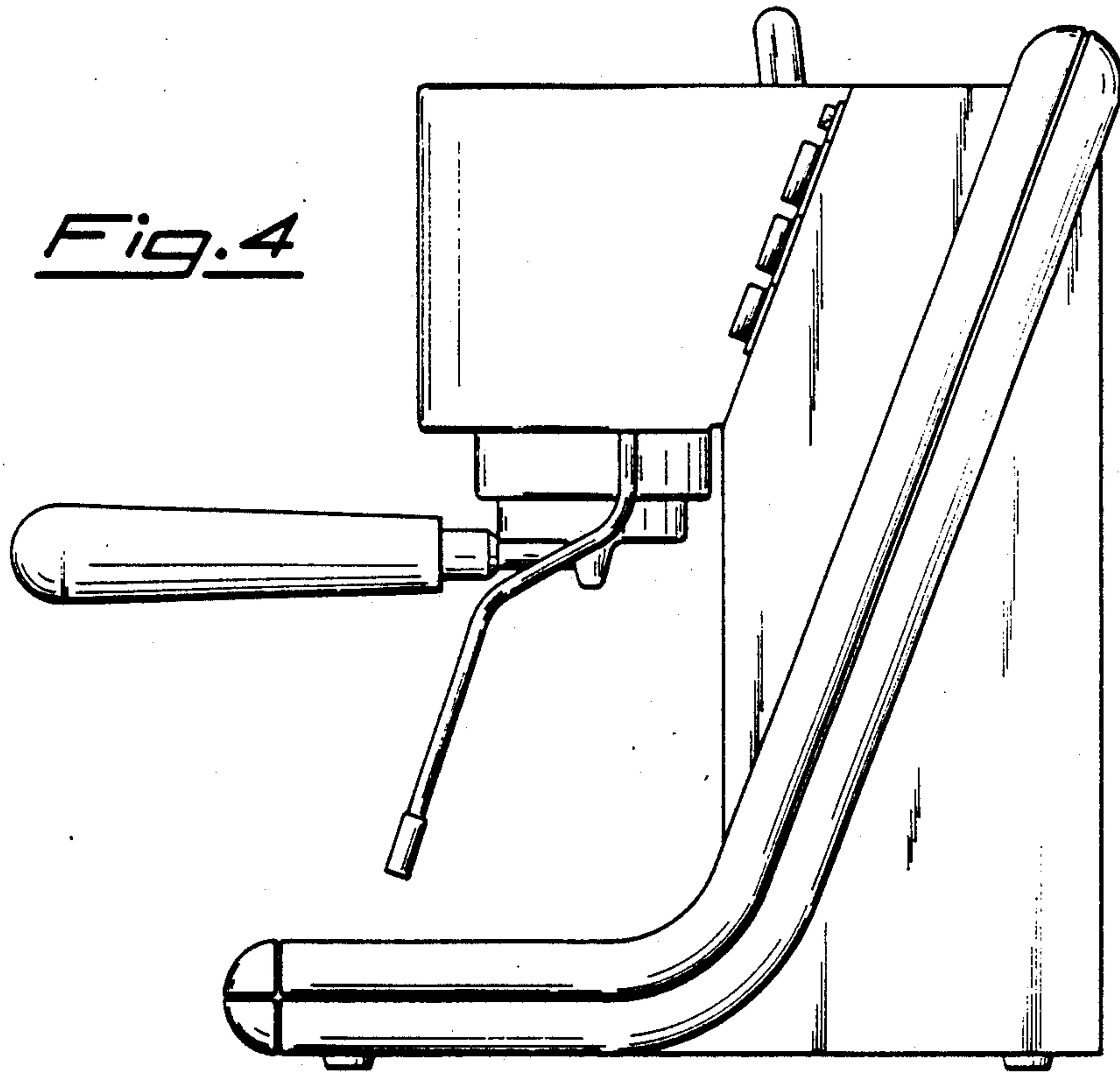
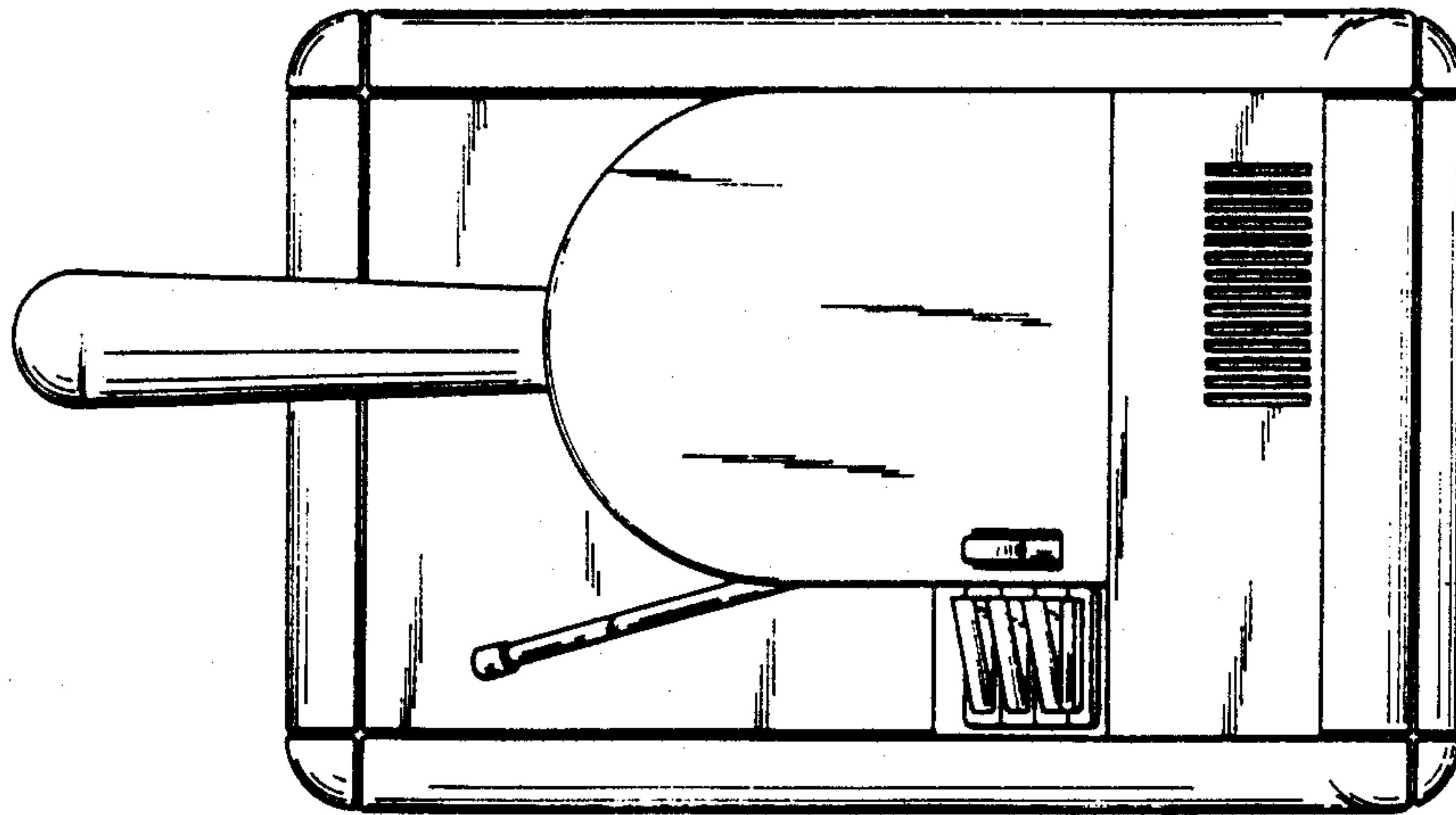


Fig. 5



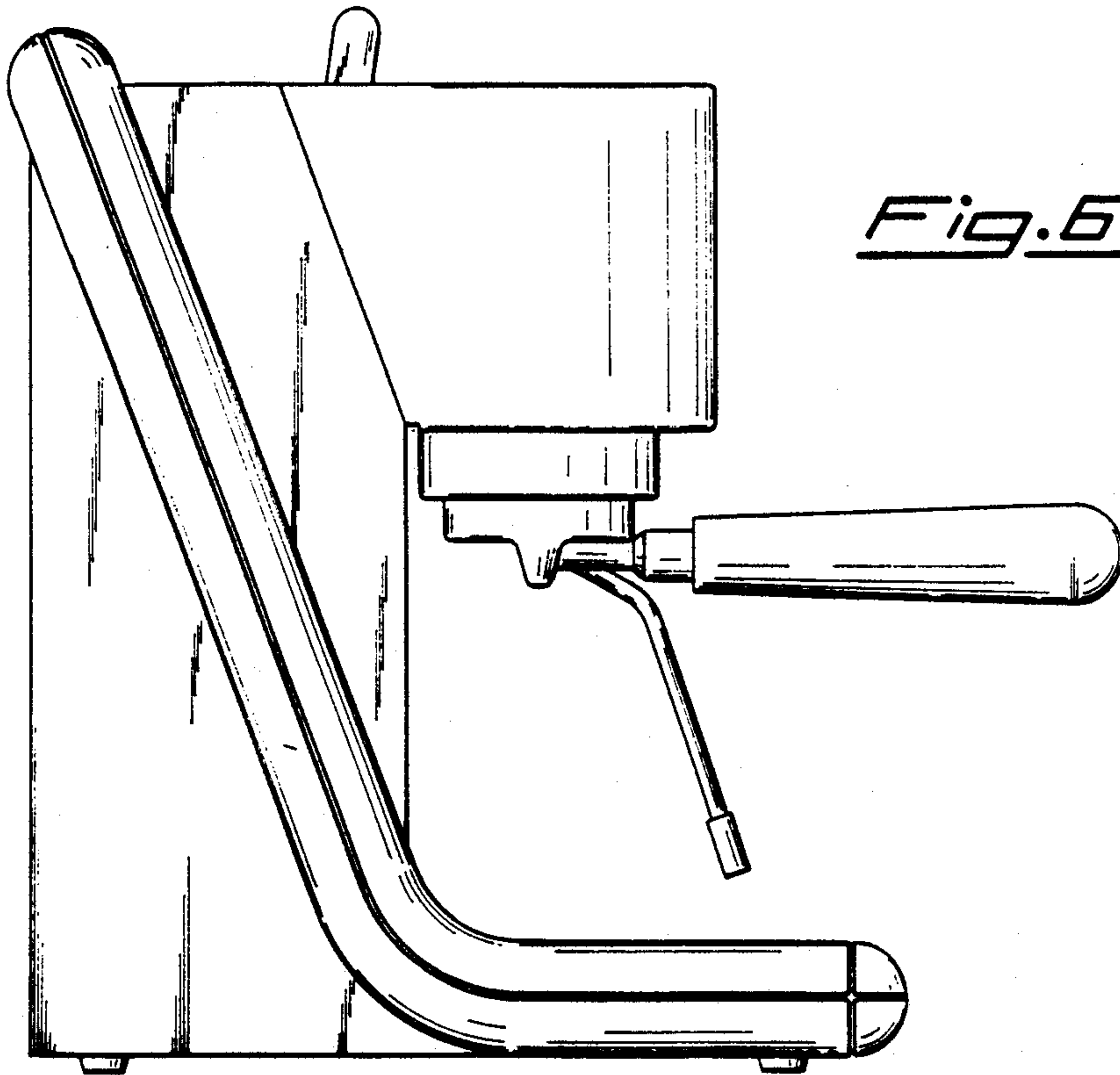


Fig. 6

Fig. 7

