

[54] **ELECTRIC COFFEE MAKING MACHINE**

[75] **Inventor: Hans-Jürgen Precht, Solingen, Fed. Rep. of Germany**

[73] **Assignee: Robert Krups Stiftung & Co. KG, Solingen, Fed. Rep. of Germany**

[**] **Term: 14 Years**

[21] **Appl. No.: 162,463**

[22] **Filed: Mar. 1, 1988**

[52] **U.S. Cl. D7/309; D7/310**

[58] **Field of Search D7/300, 305, 309, 310, D7/312, 311, 308, 397**

[56] **References Cited**

U.S. PATENT DOCUMENTS

- D. 235,015 4/1975 Stern D7/311 X
- D. 290,216 6/1987 Precht D7/309
- D. 300,596 4/1989 Eugster D7/309

OTHER PUBLICATIONS

Krups 86/87 Catalog, p. 7—Krups T 10 Plus top right Coffemaker.

Better Homes & Gardens, Oct. 1984, p. F6, Krups #261 “Brewmaster” top left.

Primary Examiner—Winifred E. Herrmann
Attorney, Agent, or Firm—Peter K. Kontler

[57] **CLAIM**

The ornamental design for an electric coffee making machine, as shown and described.

DESCRIPTION

FIG. 1 is a perspective partly front and partly side elevational view of an electric coffee making machine embodying my new design;

FIG. 2 is a right-hand side elevational view;

FIG. 3 is a top plan view;

FIG. 4 is a bottom plan view;

FIG. 5 is a left-hand side elevational view;

FIG. 6 is a front elevational view; and

FIG. 7 is a rear elevational view thereof.

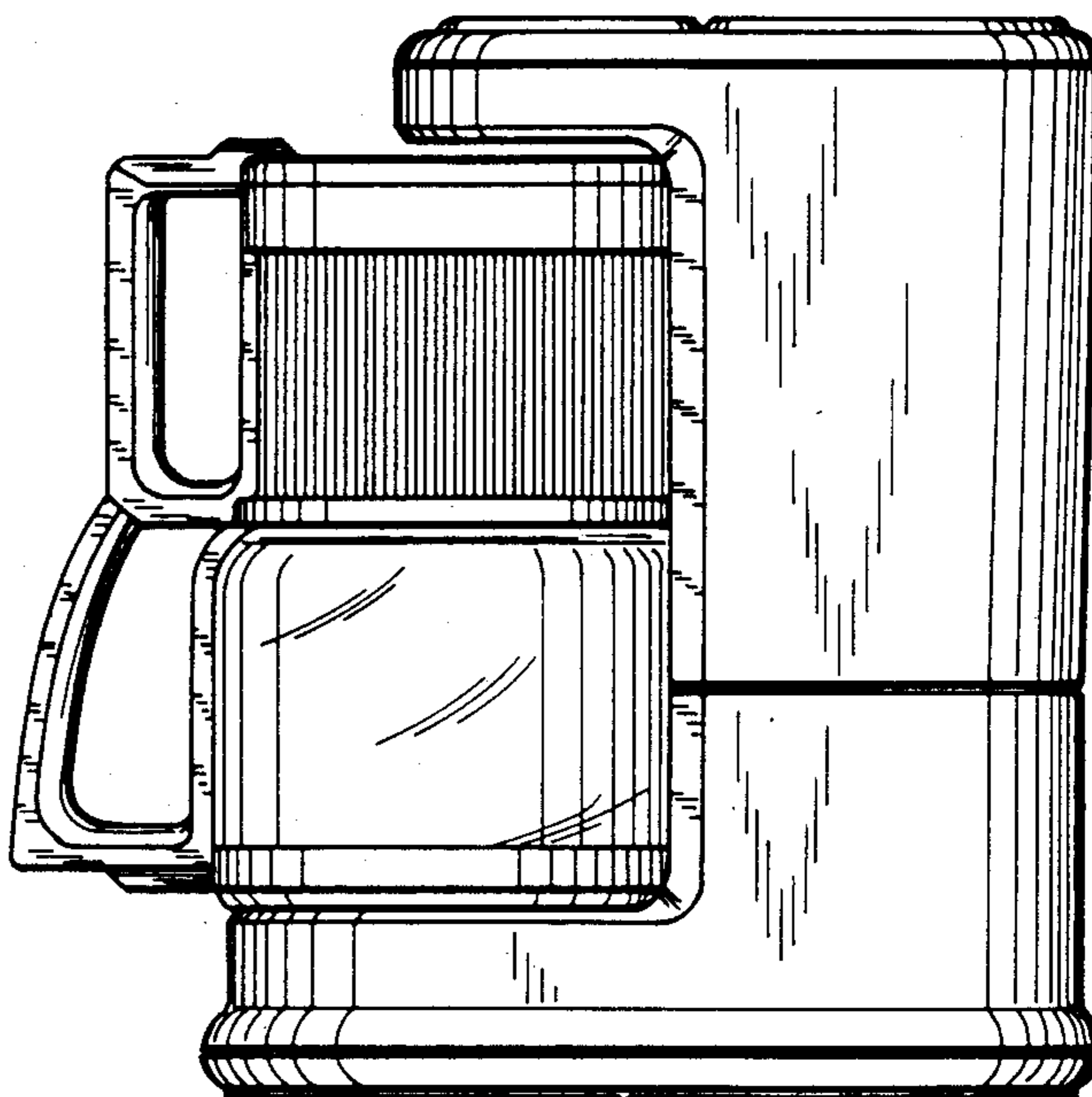
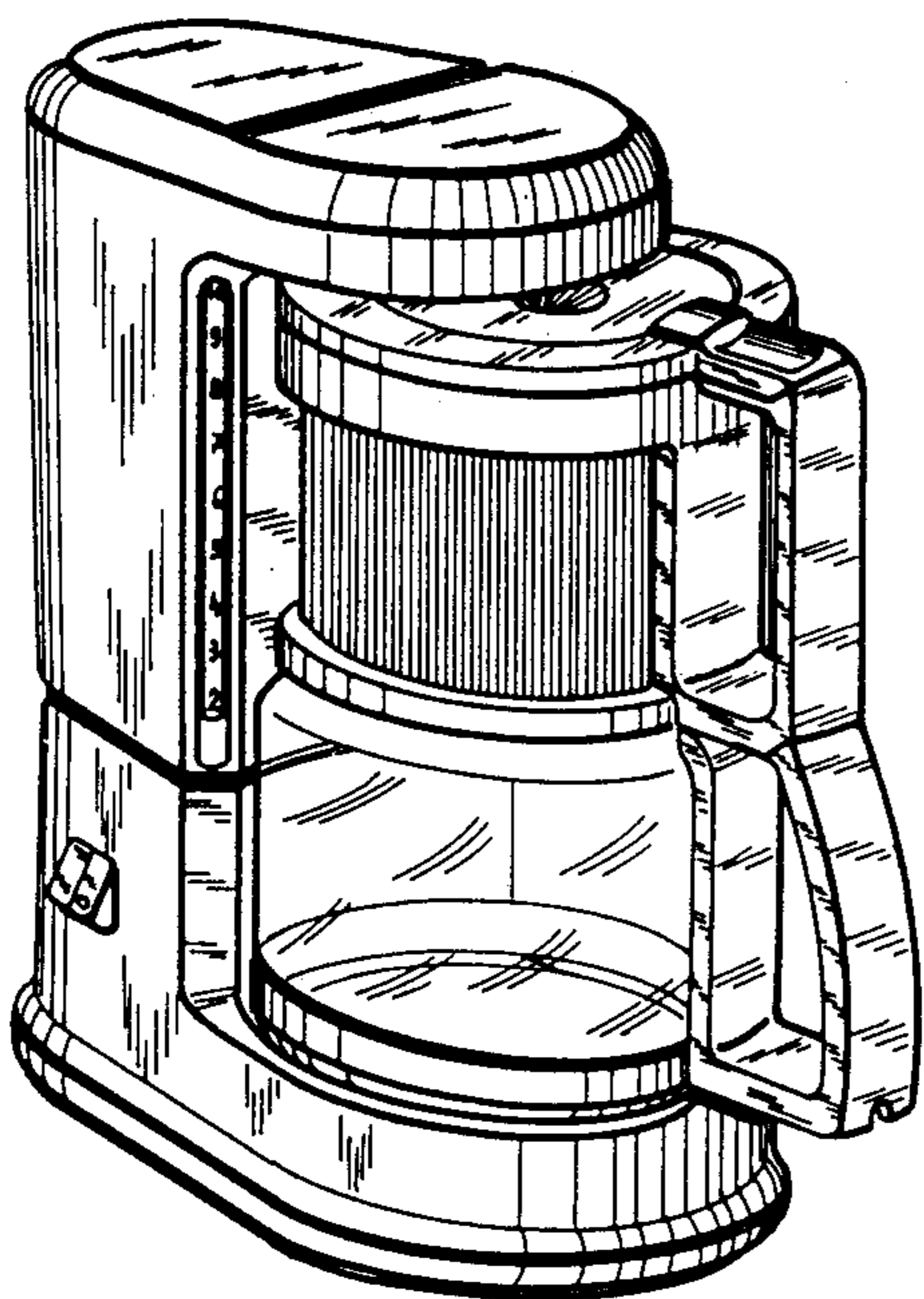
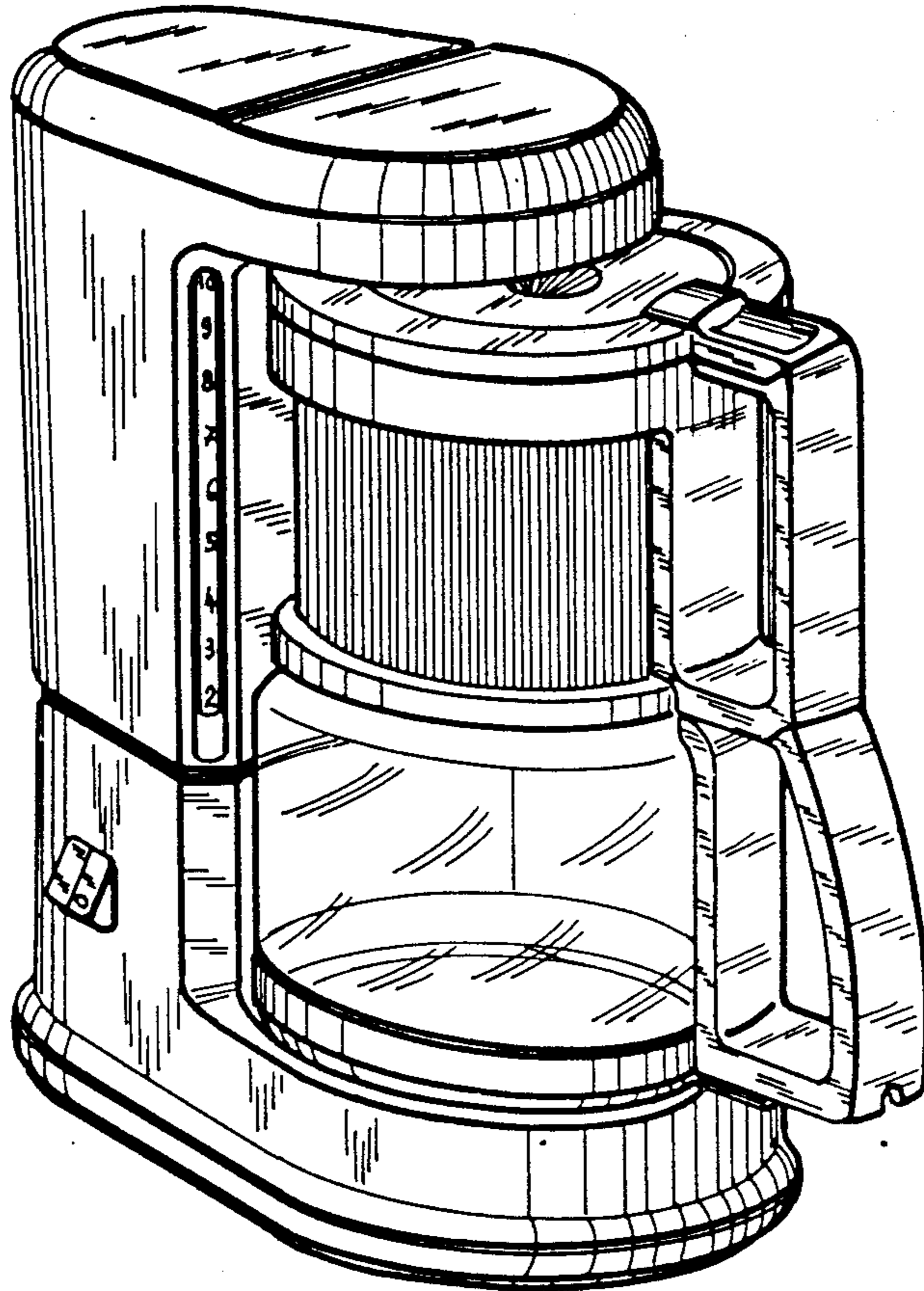


FIG. 1



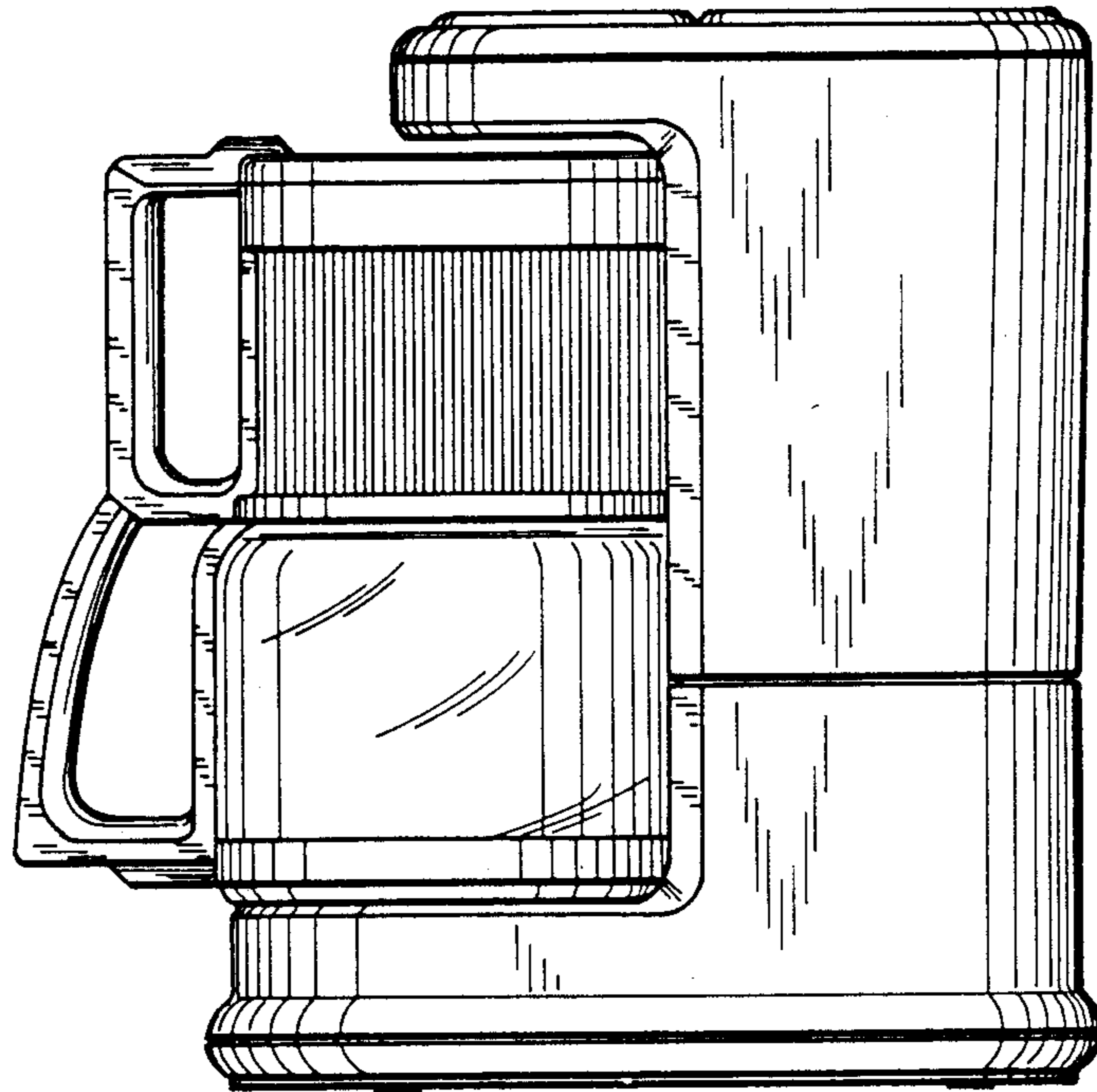


FIG. 2

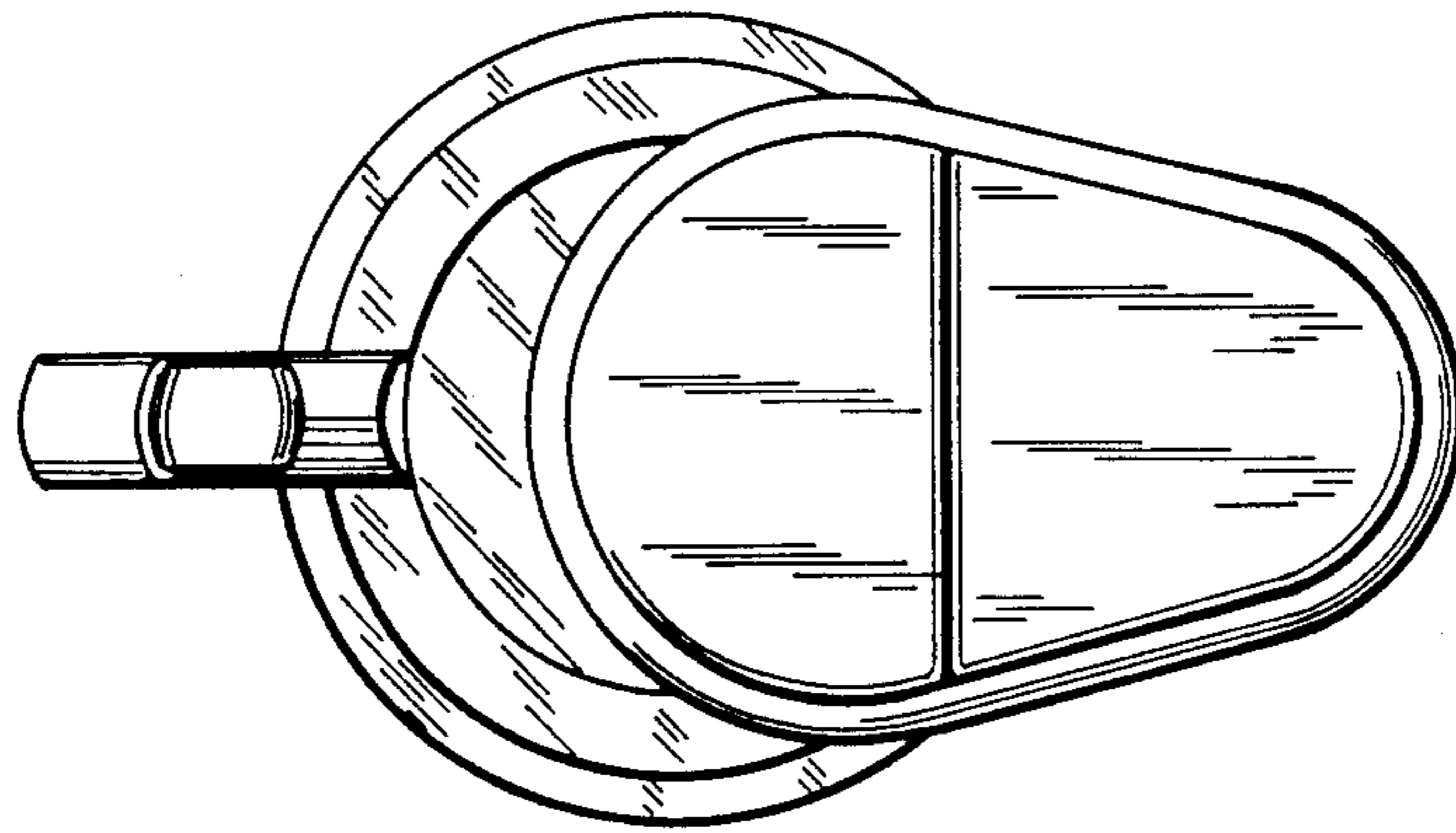


FIG. 3

FIG. 4

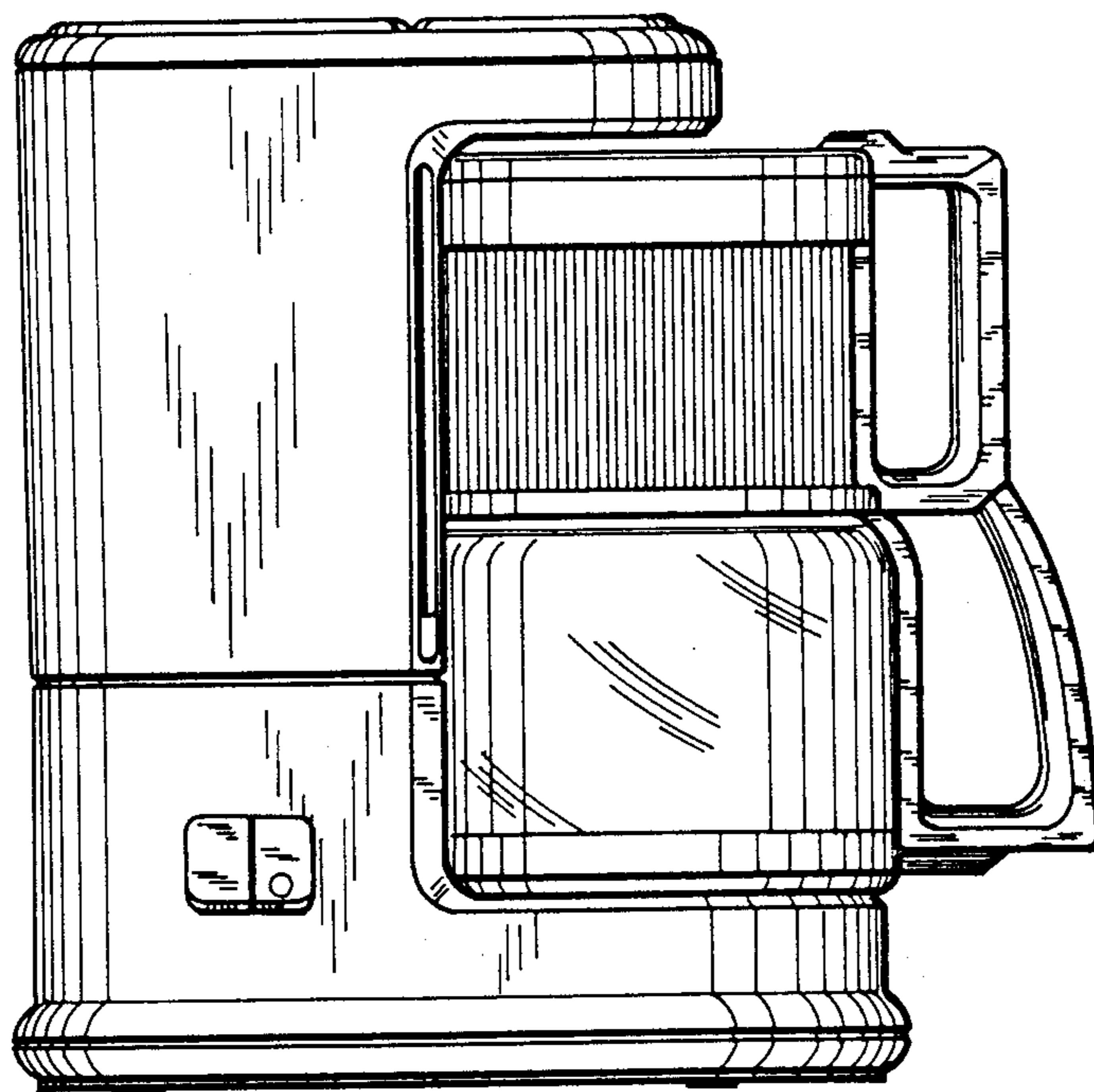
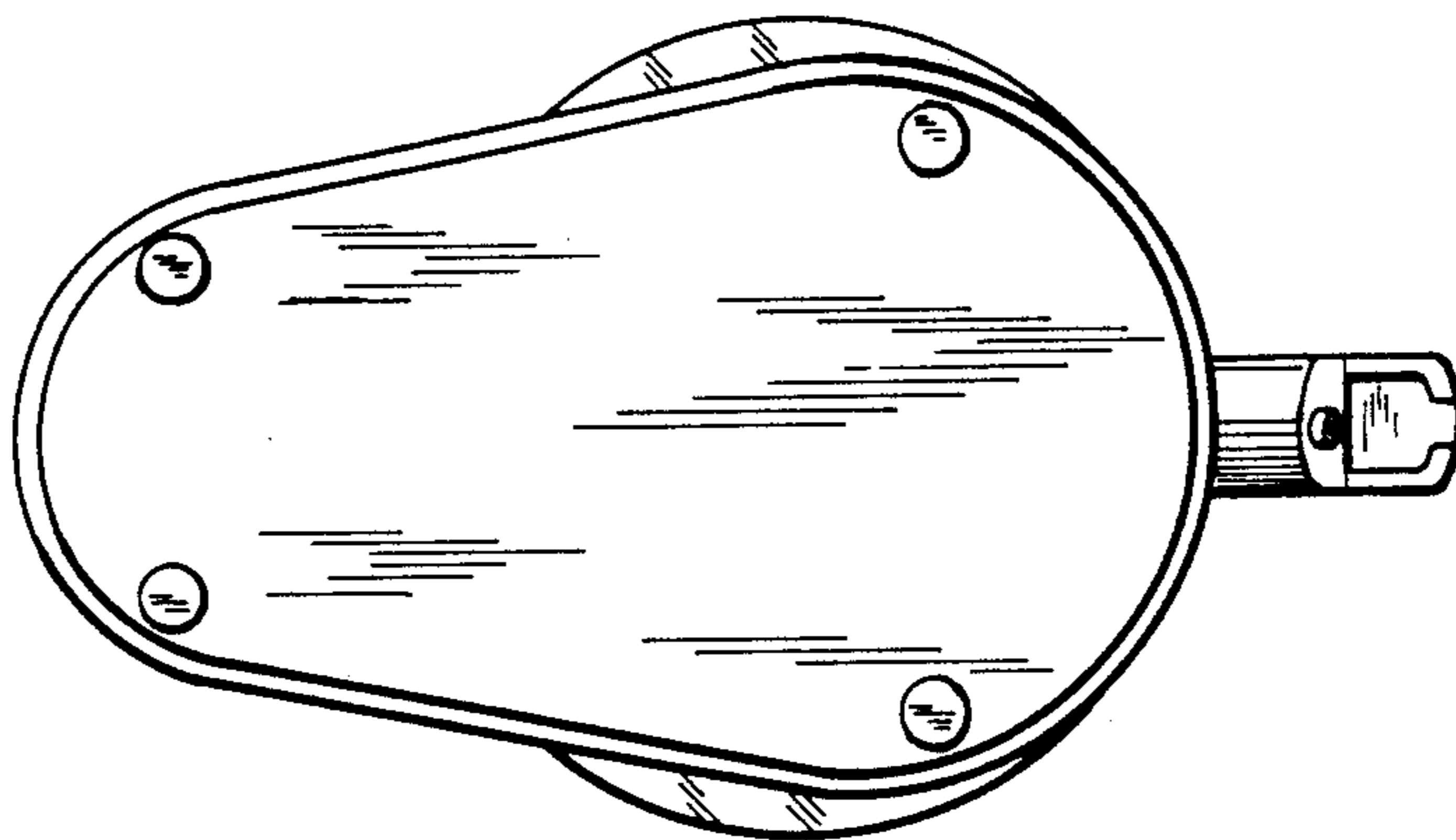


FIG. 5

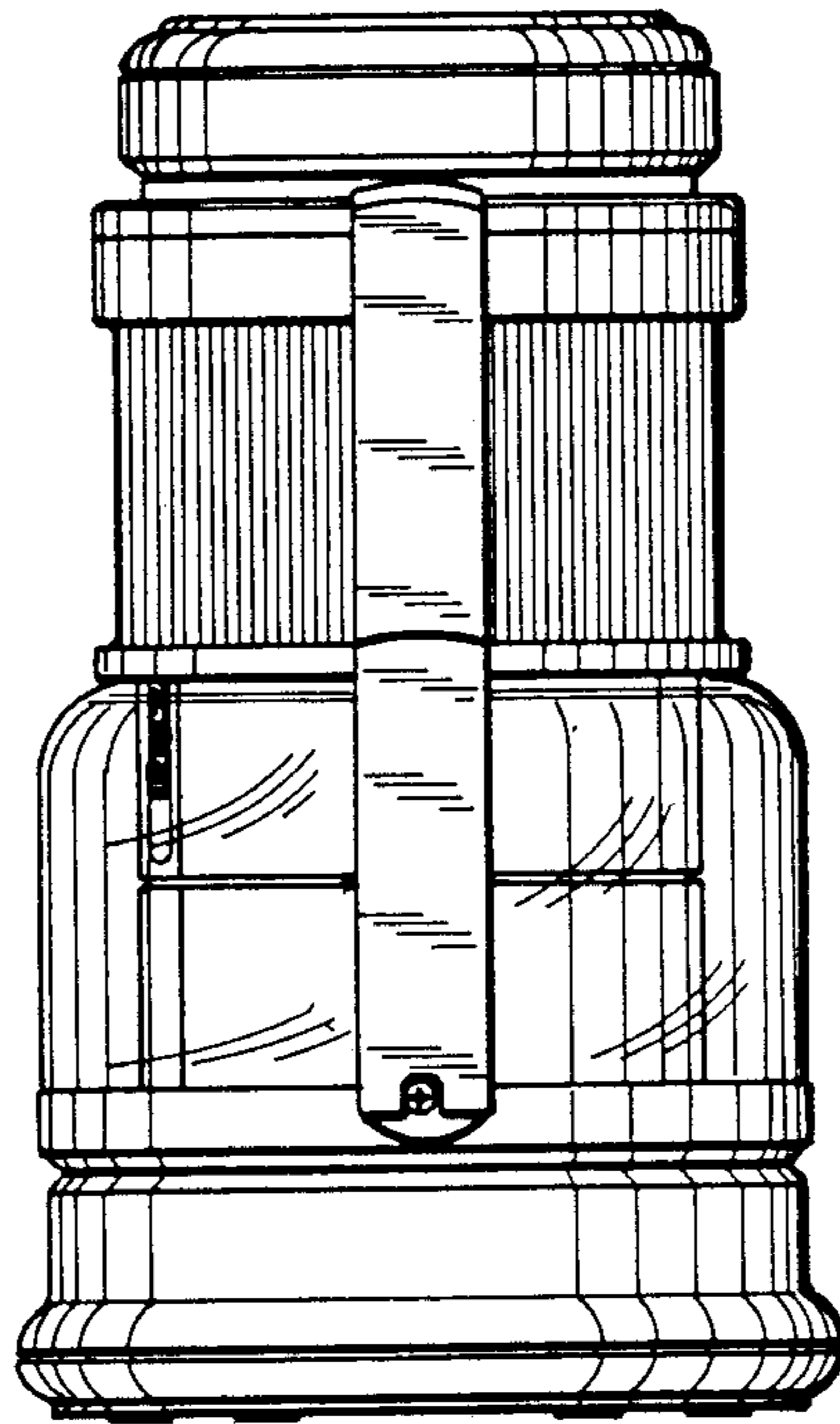


FIG. 6

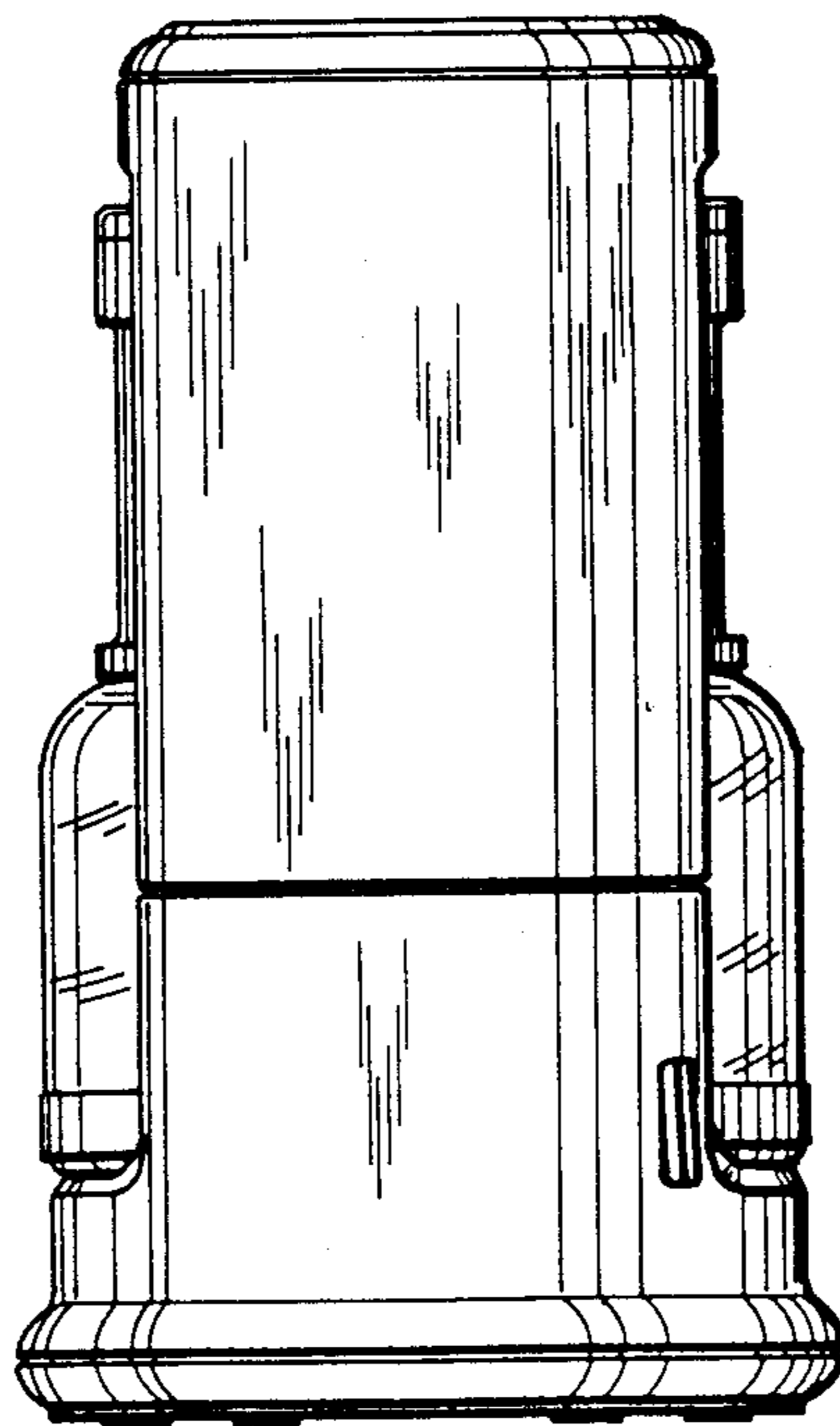


FIG. 7