

[54] ELECTRIC COFFEE MAKER

[75] Inventors: Rudolf Maass; Edgar Rixen, both of Solingen, Fed. Rep. of Germany

[73] Assignee: Robert Krups Stiftung & Co. KG, Solingen, Fed. Rep. of Germany

[**] Term: 14 Years

[21] Appl. No.: 137,469

[22] Filed: Dec. 23, 1987

[30] Foreign Application Priority Data

Sep. 11, 1987 [DE] Fed. Rep. of Germany 5MR9796

[52] U.S. Cl. D7/309; D7/310

[58] Field of Search D7/305, 308, 309, 310, D7/397, 399, 300, 312

[56] References Cited

U.S. PATENT DOCUMENTS

- D. 139,219 10/1944 Wolcott D7/310
- D. 288,885 3/1987 Kahlcke D7/309
- D. 290,216 6/1987 Precht D7/309
- D. 299,608 1/1989 Knöchner D7/310 X

OTHER PUBLICATIONS

Better Homes & Gardens, Dec. 1984, p. Z25, Oster's

"Thermo-Café Coffeemaker's Insulated Carafe and Machine", Div. of Sunbeam Corp.

HFD/Retailing Home Furnishings, Jul. 9, 1979—Supplement, Section Two, Hamilton Beach Coffeemakers with Carafes having Stripes.

Bloomington's Buy Ways "Made-in-the-Shade", p. 26, top right panel—Krupps Coffeemakers #2602B; #2601A.

Primary Examiner—Winifred E. Herrmann

Attorney, Agent, or Firm—Peter K. Kontler

[57] CLAIM

The ornamental design for an electric coffee maker, as shown and described.

DESCRIPTION

FIG. 1 is a top, front, and left side perspective view of an electric coffee maker showing our new design; FIG. 2 is a top, rear, and right side perspective view thereof;

FIG. 3 is a front elevational view thereof;

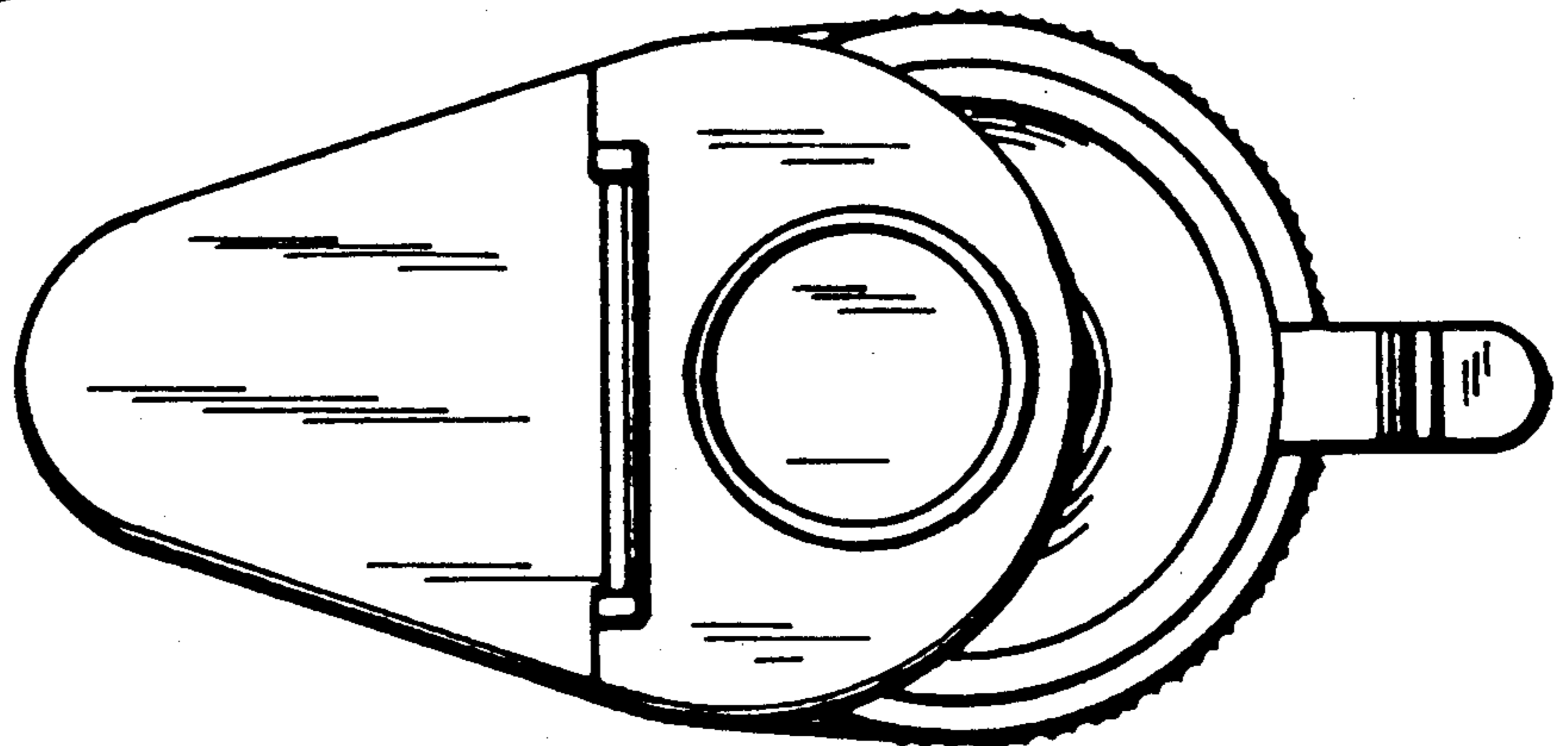
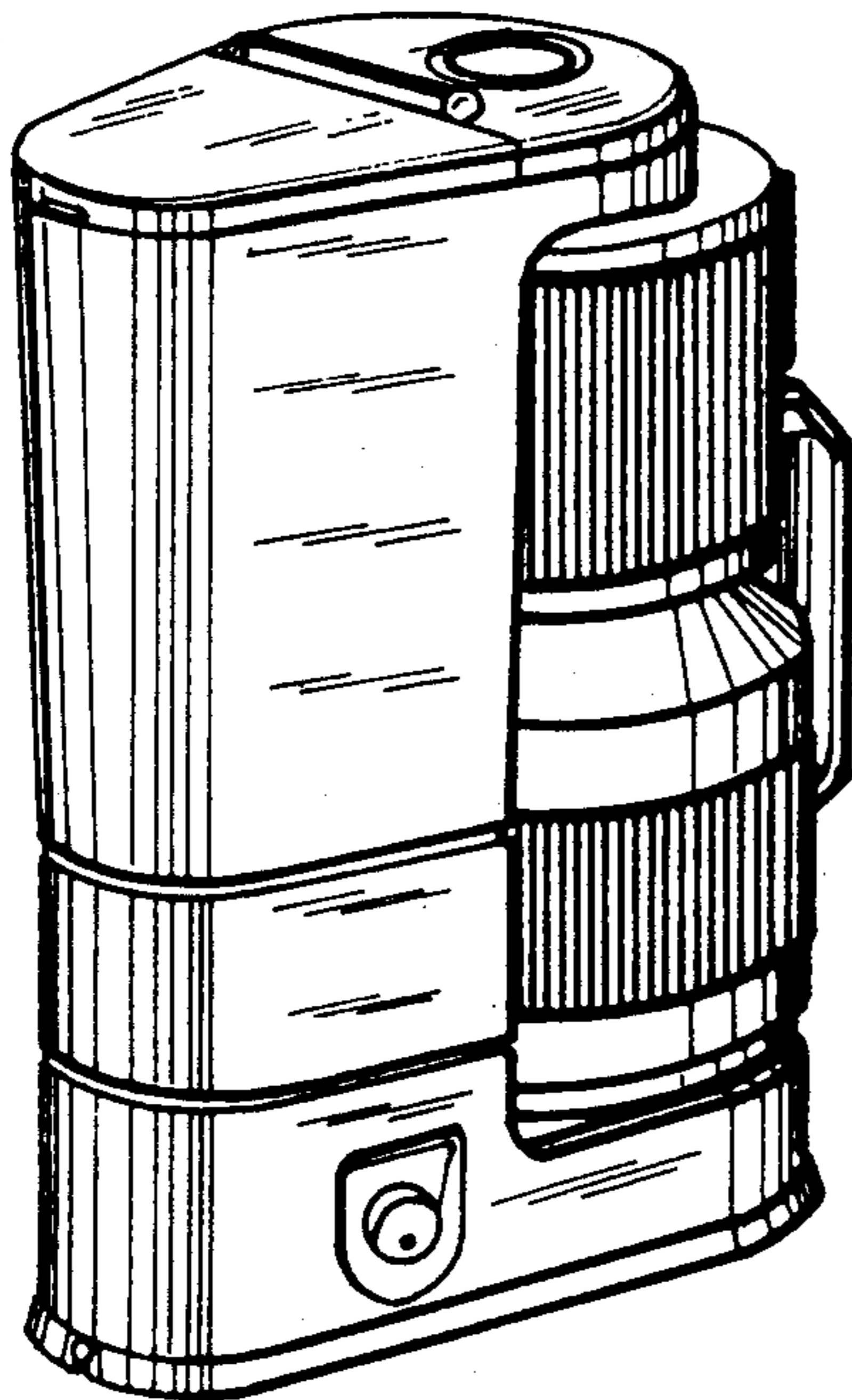
FIG. 4 is a left side elevational view thereof;

FIG. 5 is a top plan view thereof;

FIG. 6 is a bottom plan view thereof;

FIG. 7 is a rear elevational view thereof; and

FIG. 8 is a right side elevational view thereof.



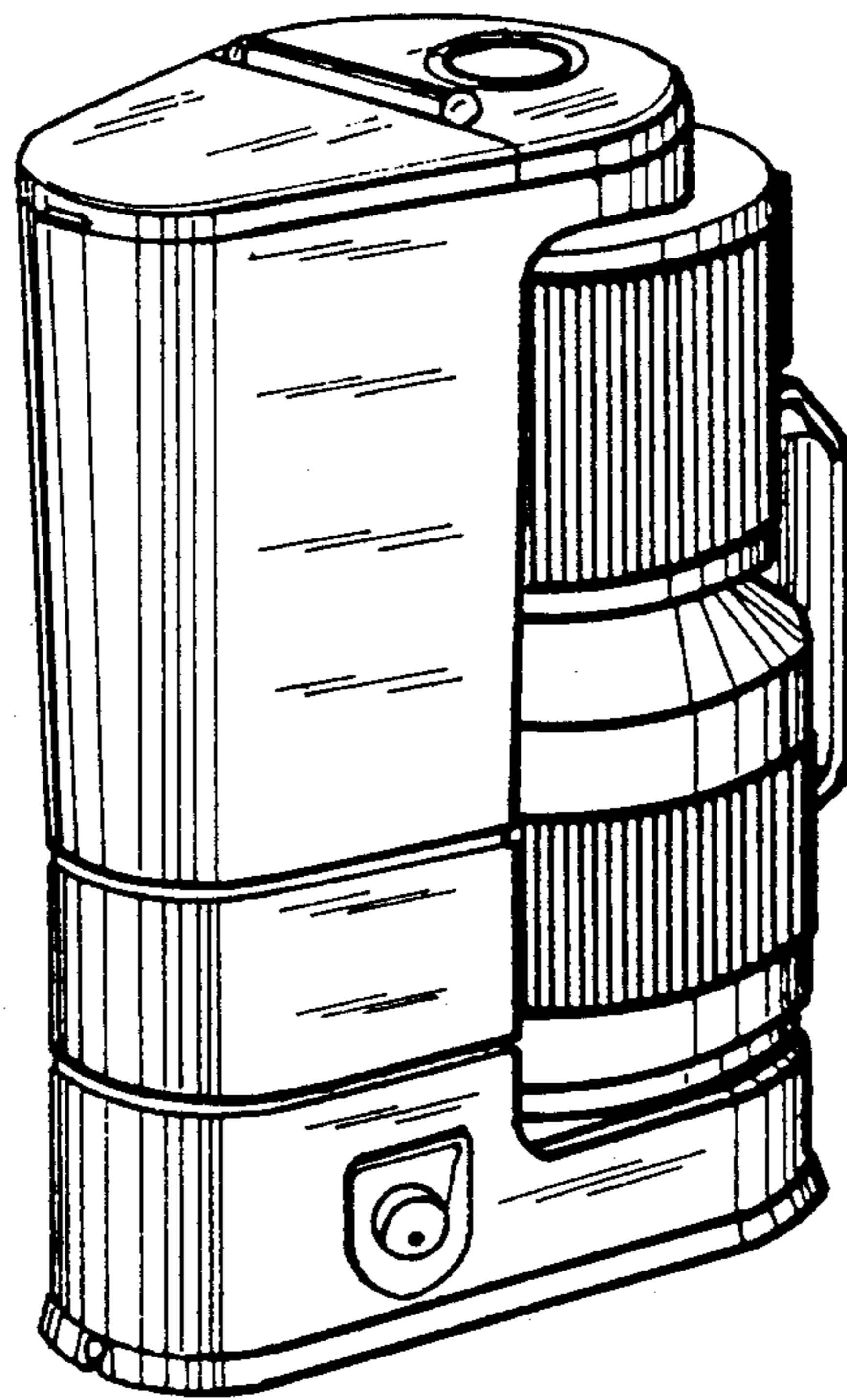


FIG. 1

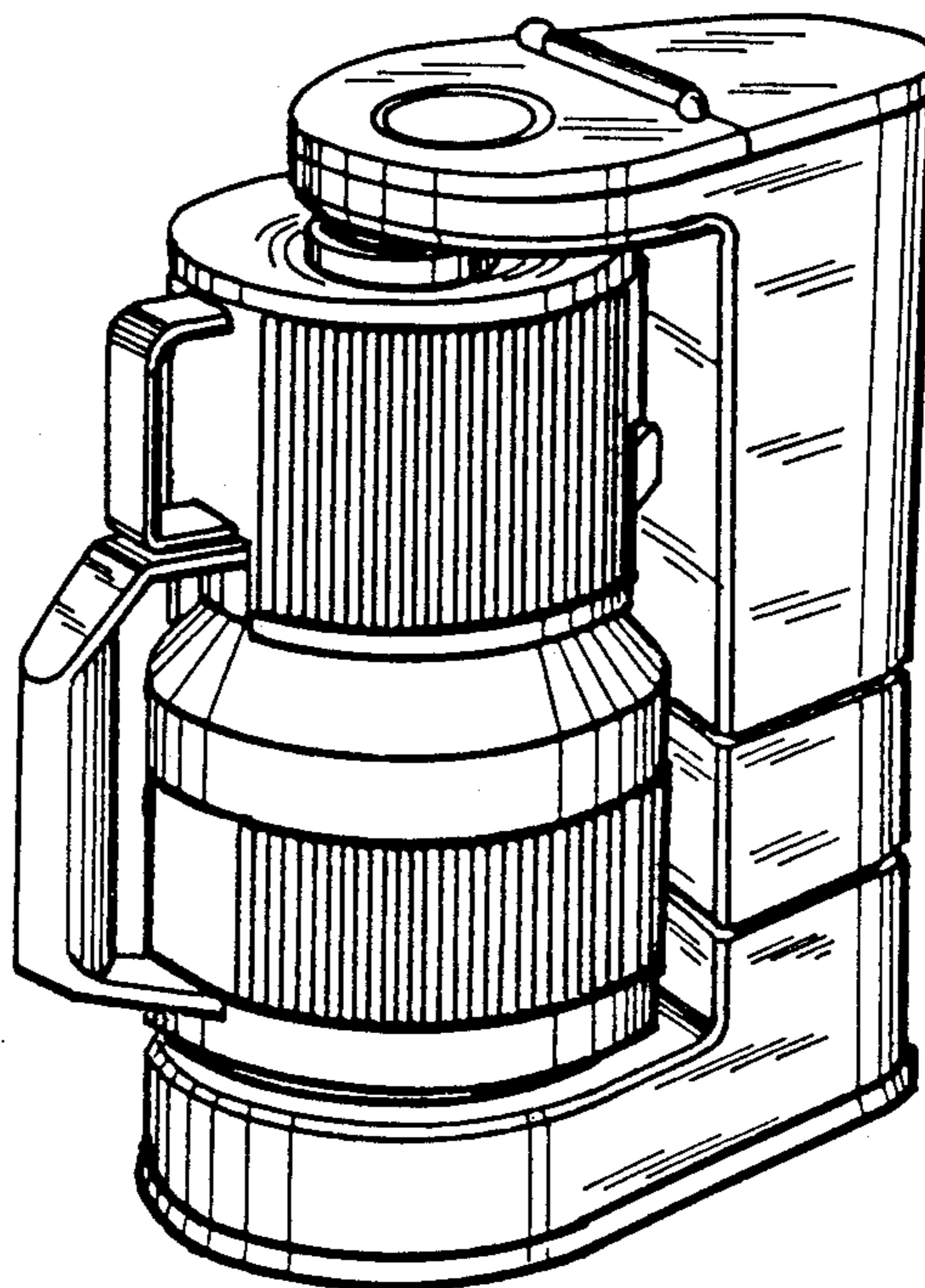


FIG. 2

FIG.3

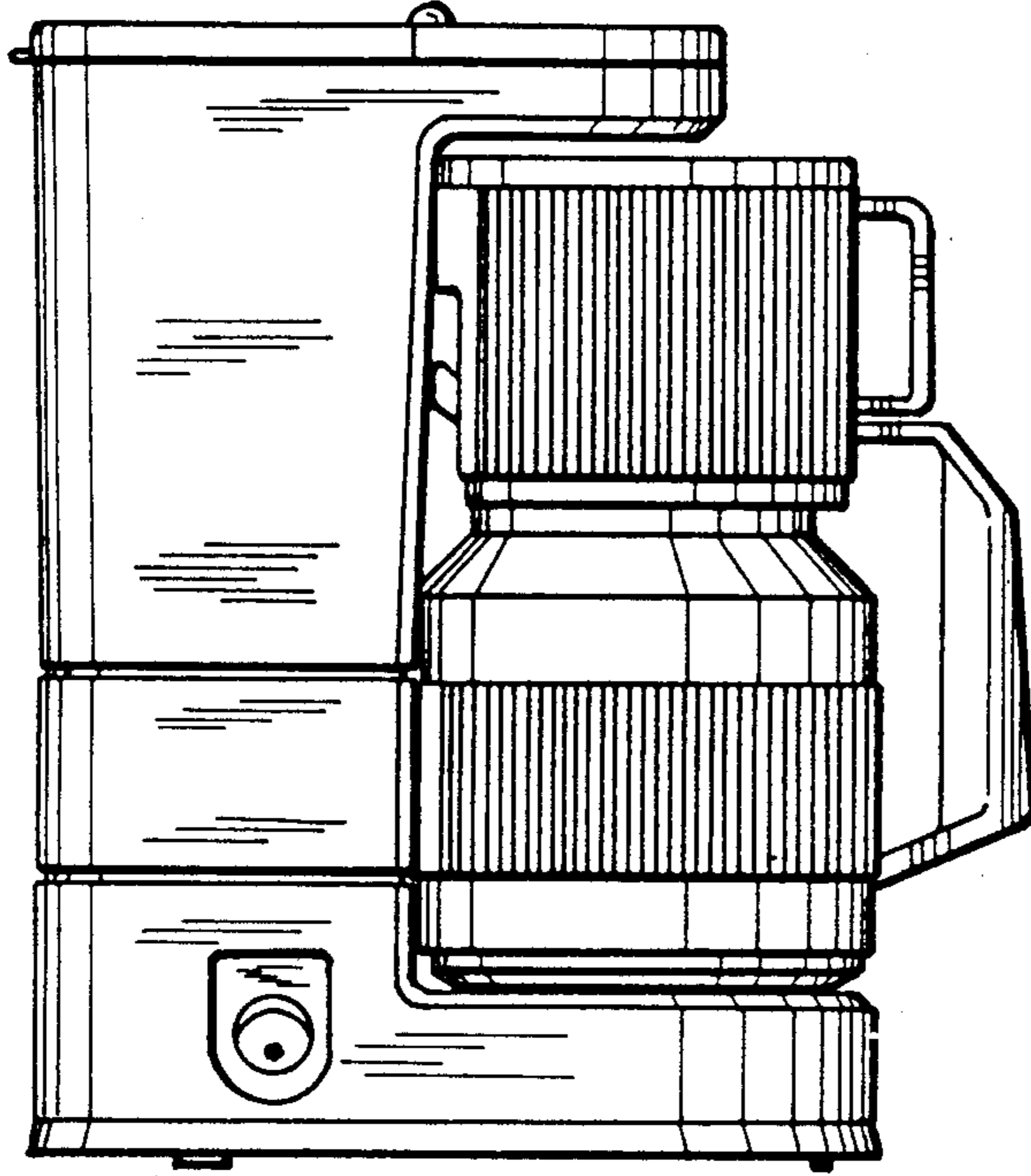


FIG.4

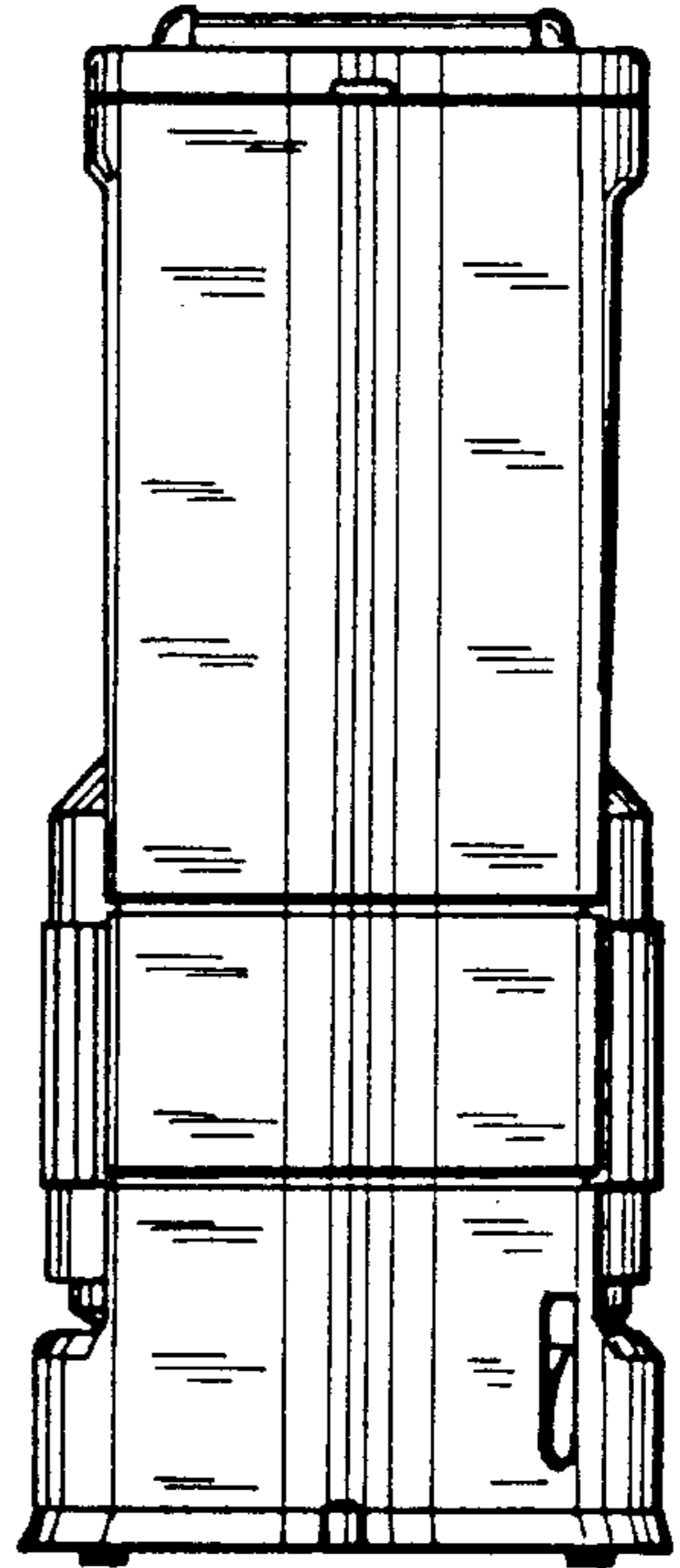
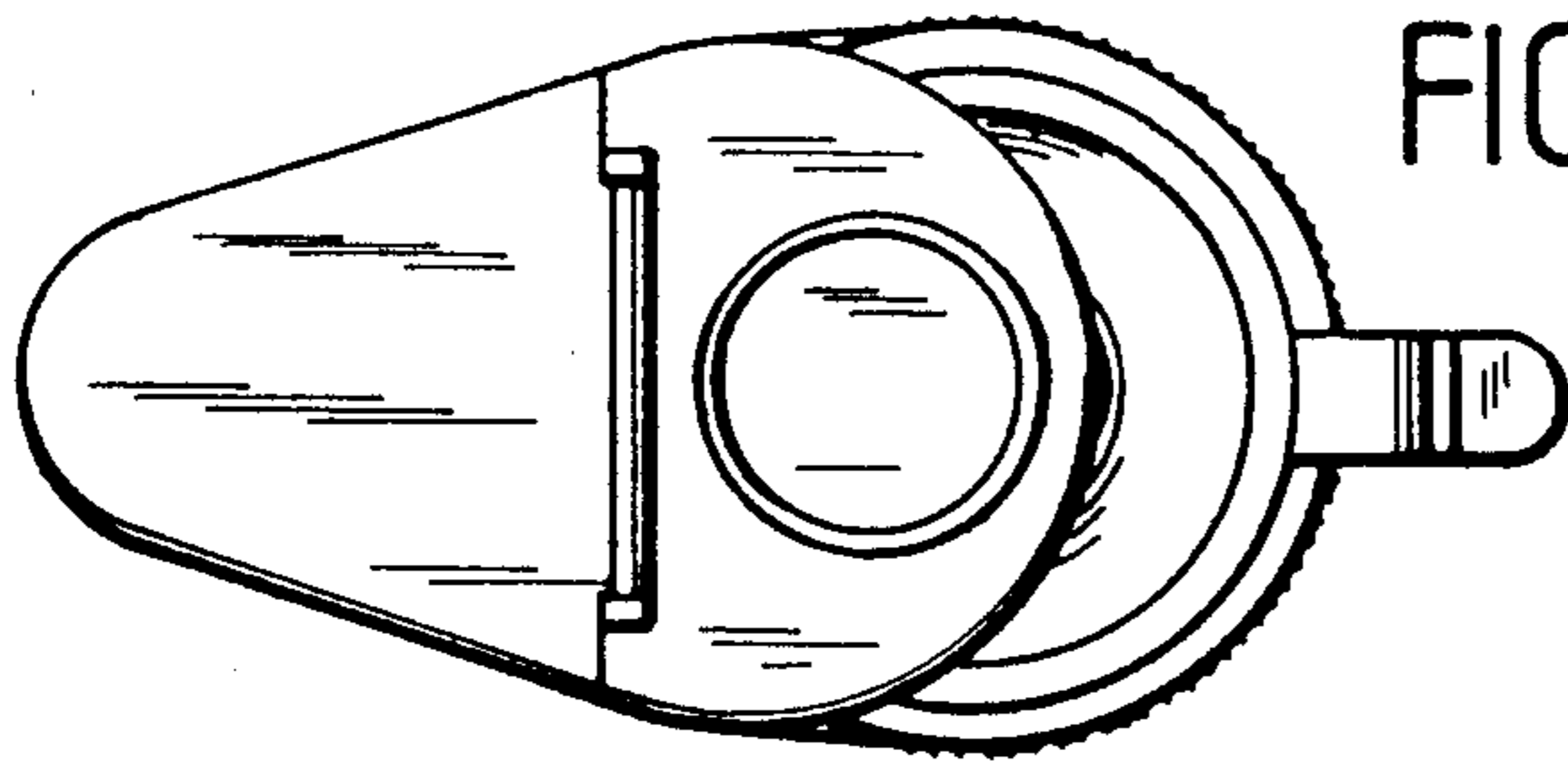


FIG.5



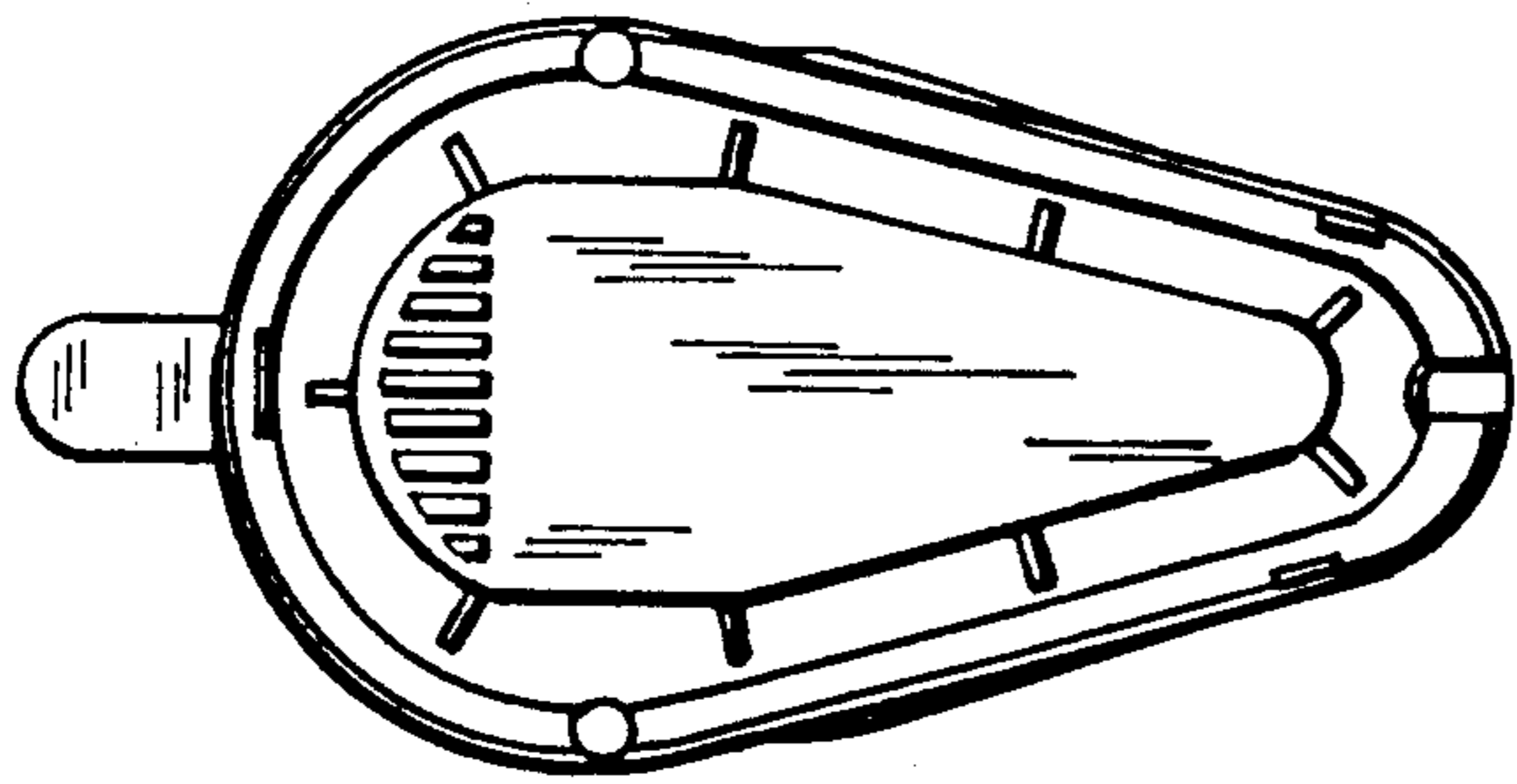


FIG. 6

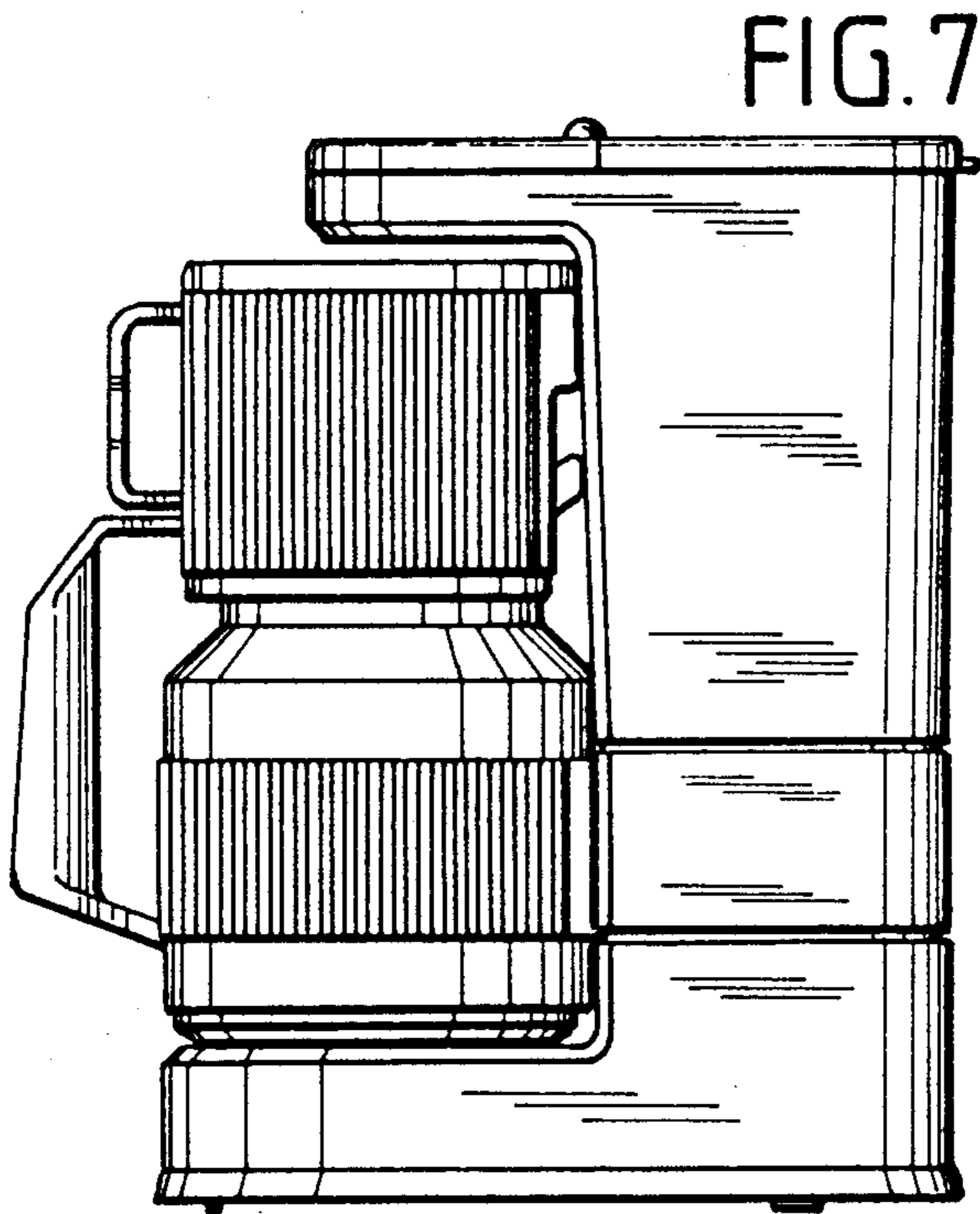


FIG. 7

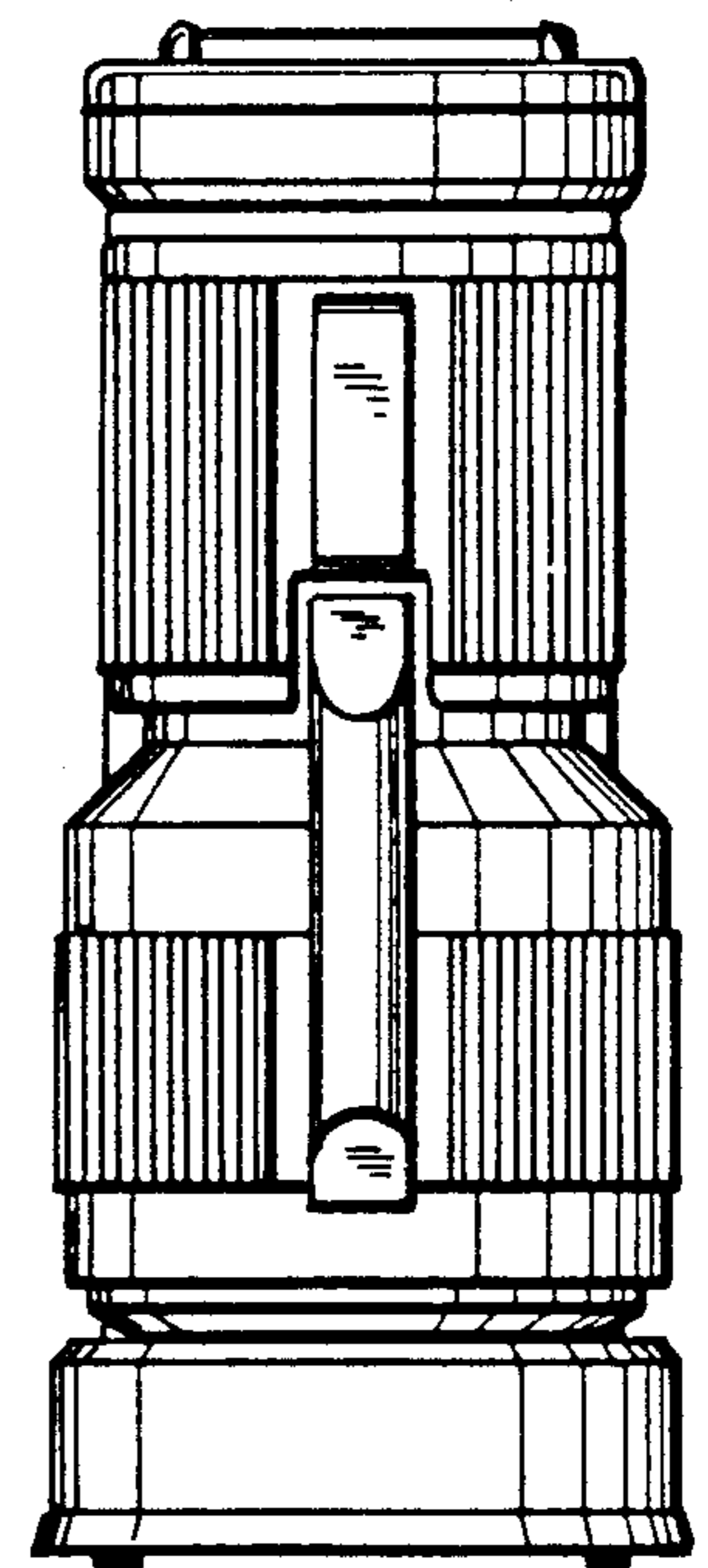


FIG. 8