

[54] **TEAMAKER**

[75] **Inventor:** Franz A. Stützer, Offenbach am Main, Fed. Rep. of Germany

[73] **Assignee:** Rowenta-Werke GmbH, Offenbach am Main, Fed. Rep. of Germany

[**] **Term:** 14 Years

[21] **Appl. No.:** 118,512

[22] **Filed:** Nov. 9, 1987

[30] **Foreign Application Priority Data**

May 25, 1987 [DE] Fed. Rep. of Germany ... 5MR10758

[52] **U.S. Cl.** D7/309; D7/310

[58] **Field of Search** D7/305, 308-311, D7/397, 399, 300, 312

[56] **References Cited**

U.S. PATENT DOCUMENTS

D. 144,945 6/1946 Snyder D7/310

D. 288,517 3/1987 Kahlcke D7/309
D. 295,888 5/1988 Schulein et al. D7/310 X

FOREIGN PATENT DOCUMENTS

2111377 7/1983 United Kingdom D7/310 X

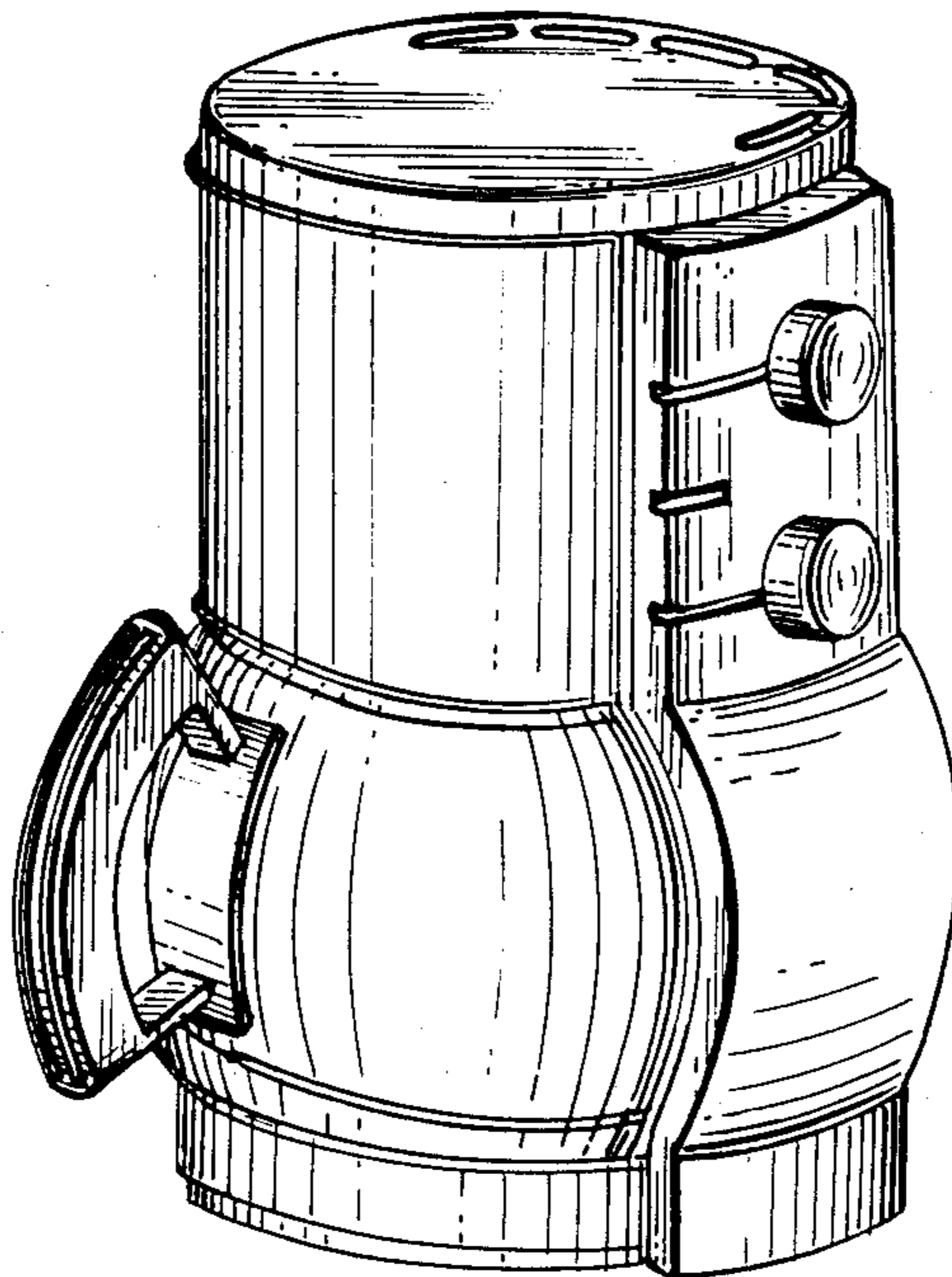
Primary Examiner—Winifred E. Herrmann
Attorney, Agent, or Firm—Toren, McGeedy & Associates

[57] **CLAIM**

The ornamental design for a teamaker, as shown.

DESCRIPTION

FIG. 1 is a front perspective view of a teamaker showing my new design;
FIG. 2 is a rear perspective thereof;
FIG. 3 is a right side elevational view thereof;
FIG. 4 is a left side elevational view thereof;
FIG. 5 is a front end elevational view thereof;
FIG. 6 is a rear end elevational view thereof;
FIG. 7 is a top plan view thereof; and
FIG. 8 is a bottom plan view thereof.



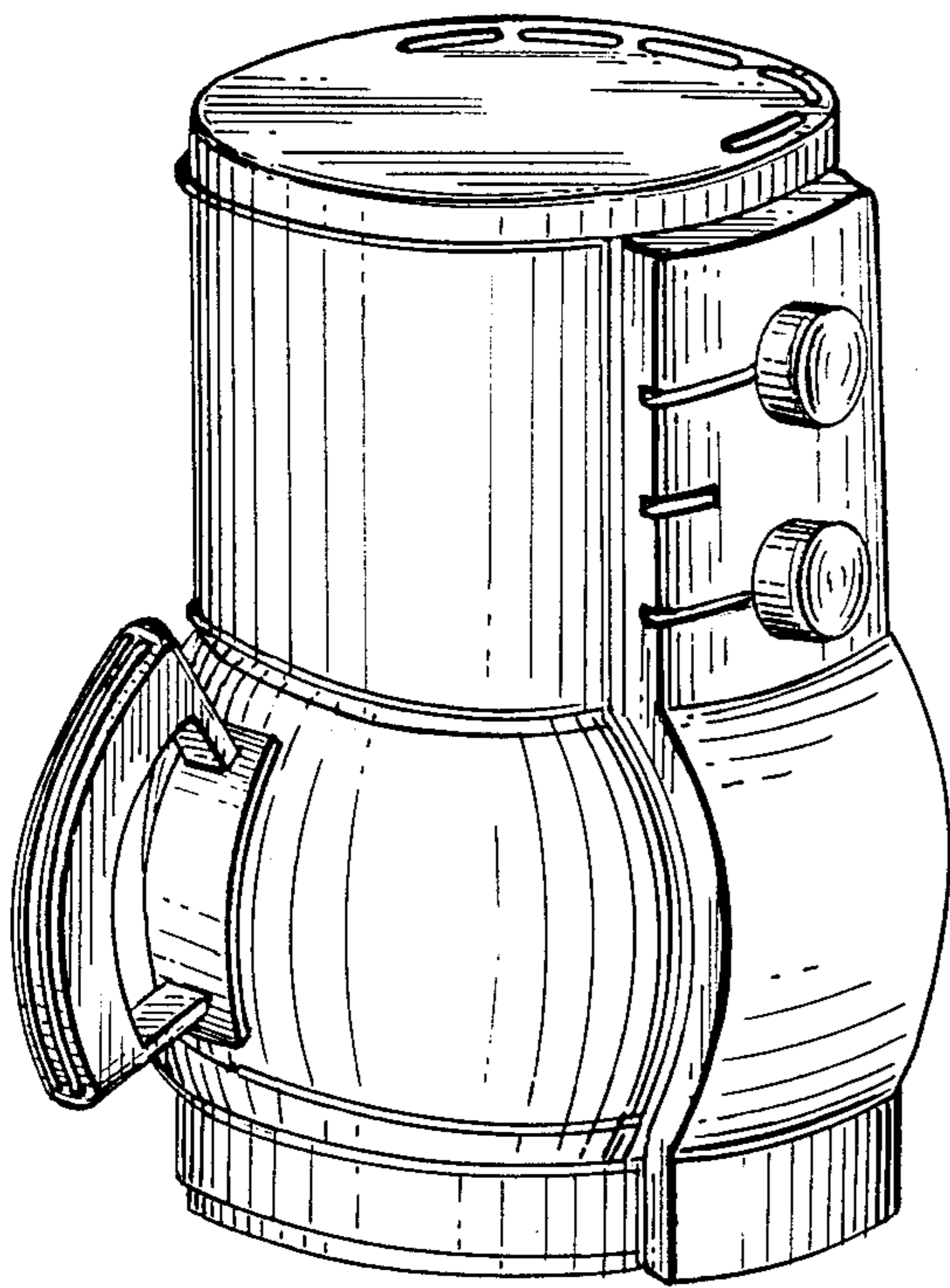


FIG. 1

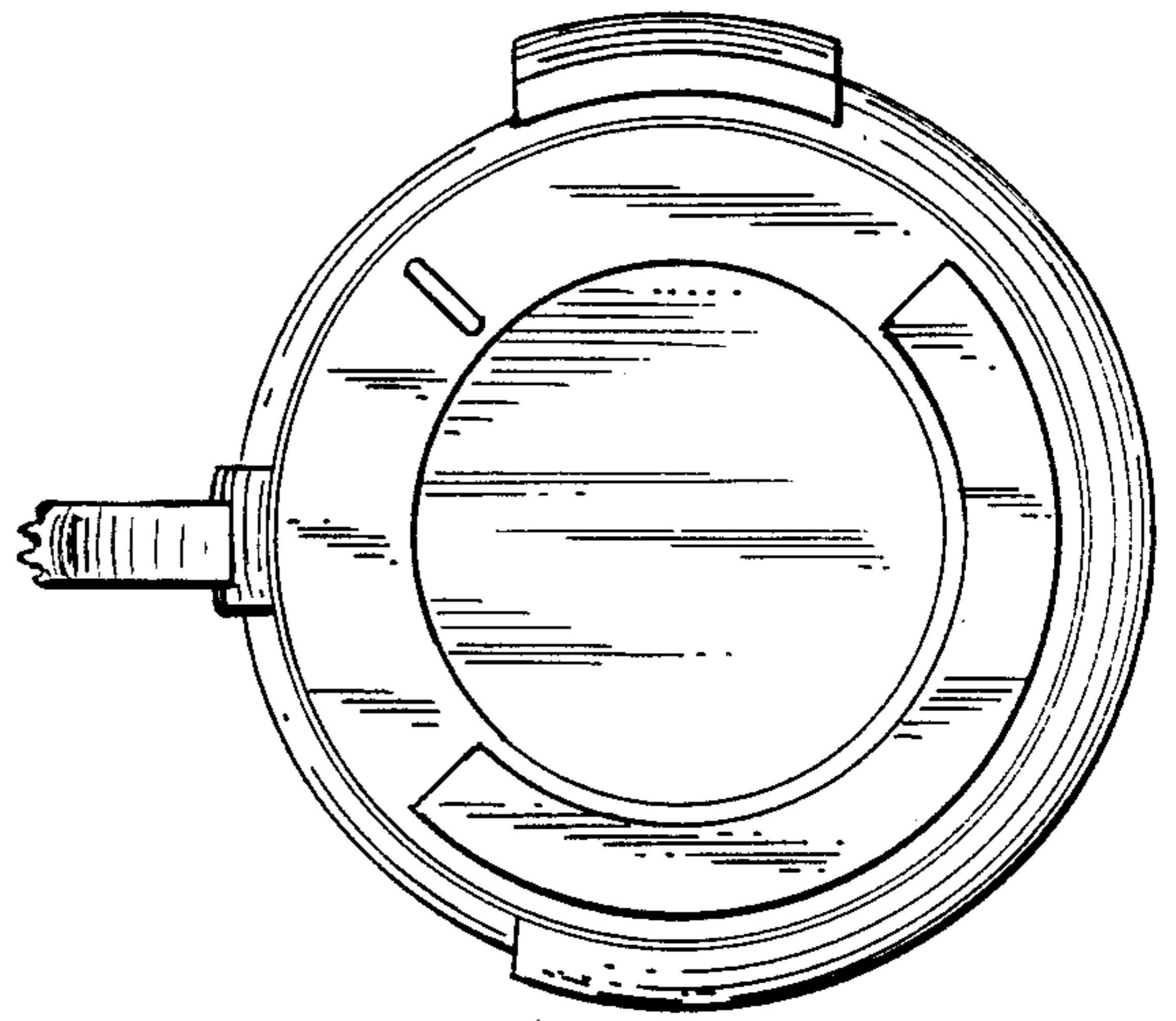


FIG. 8

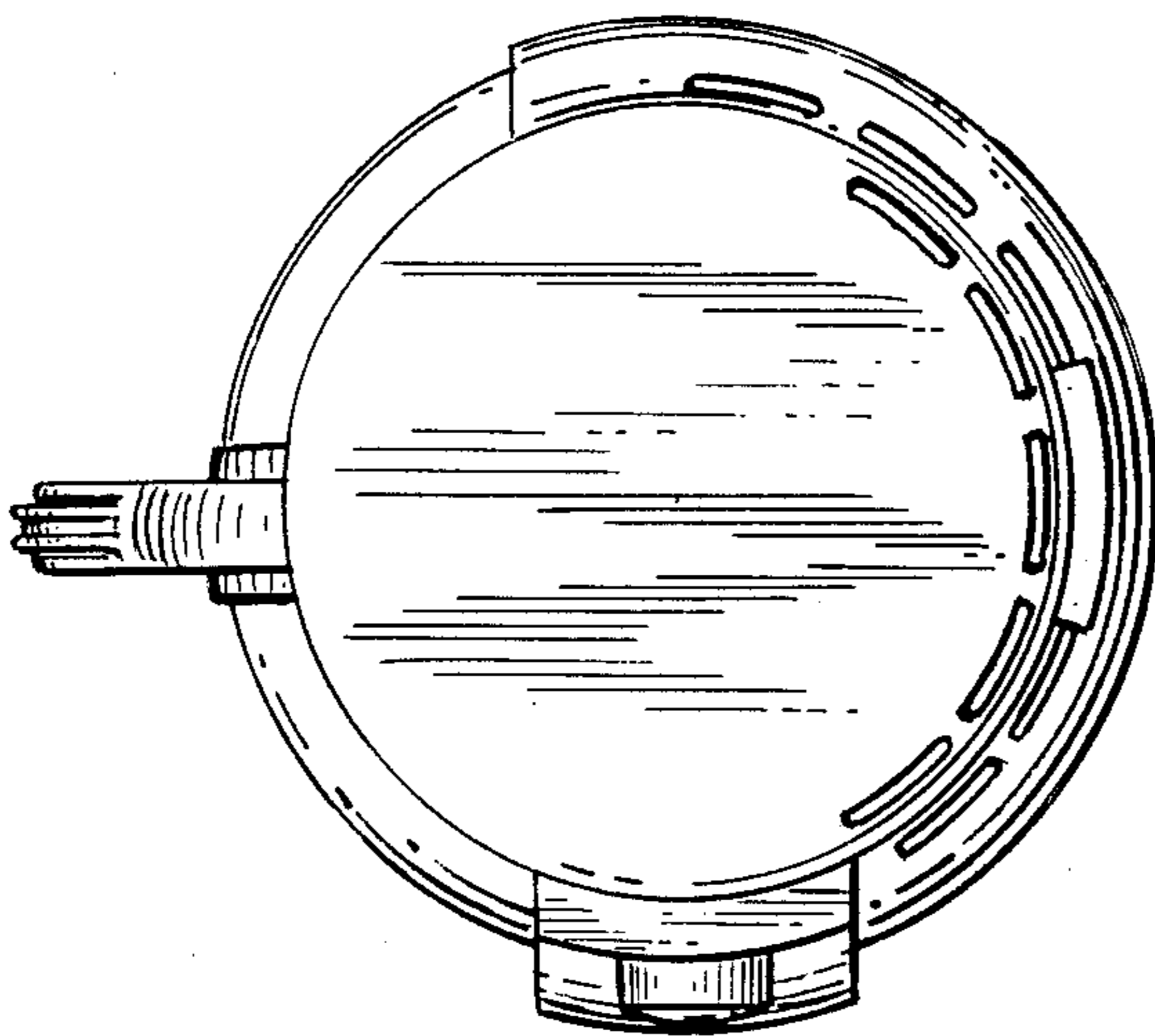


FIG. 7

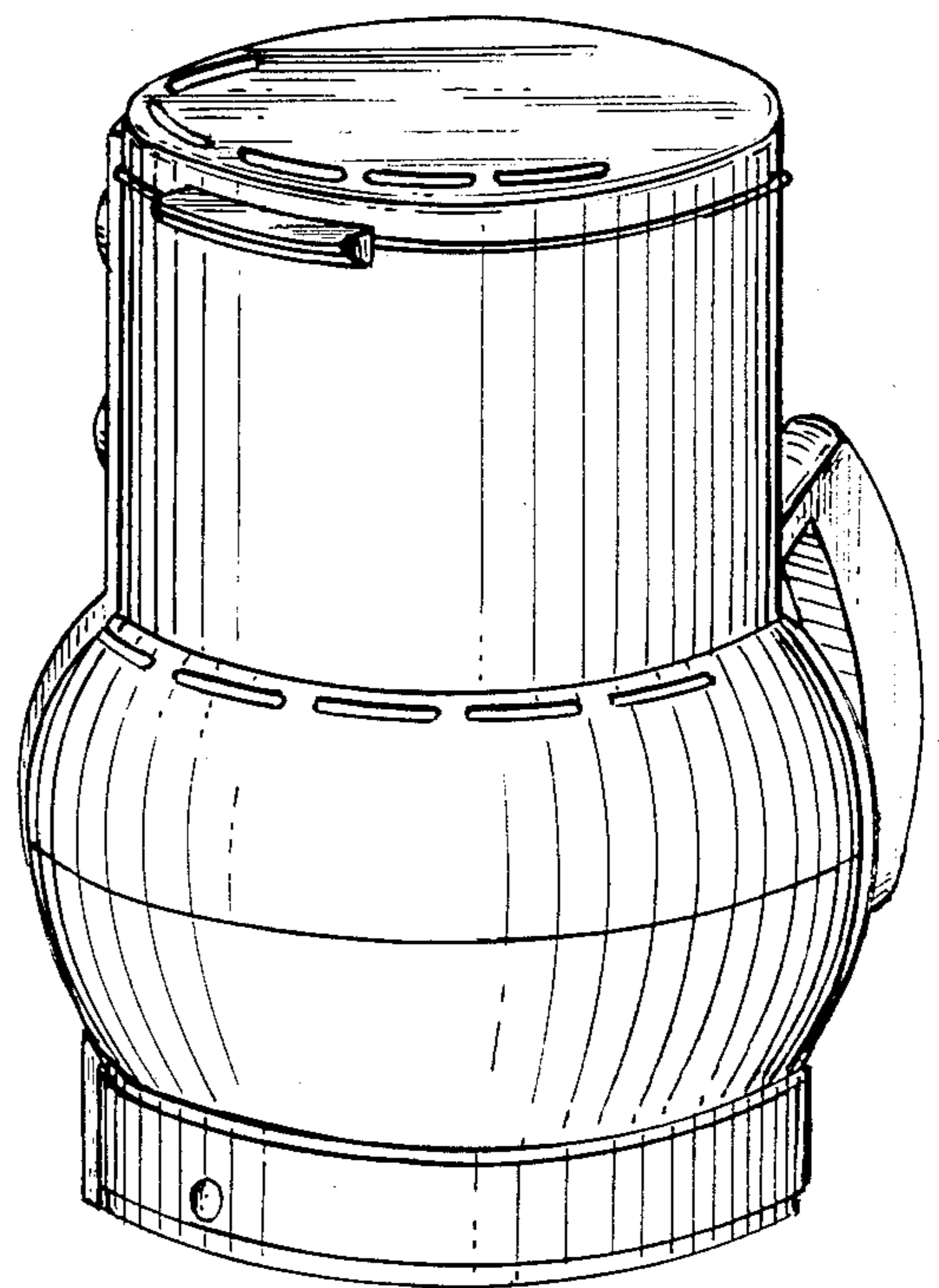


FIG. 2

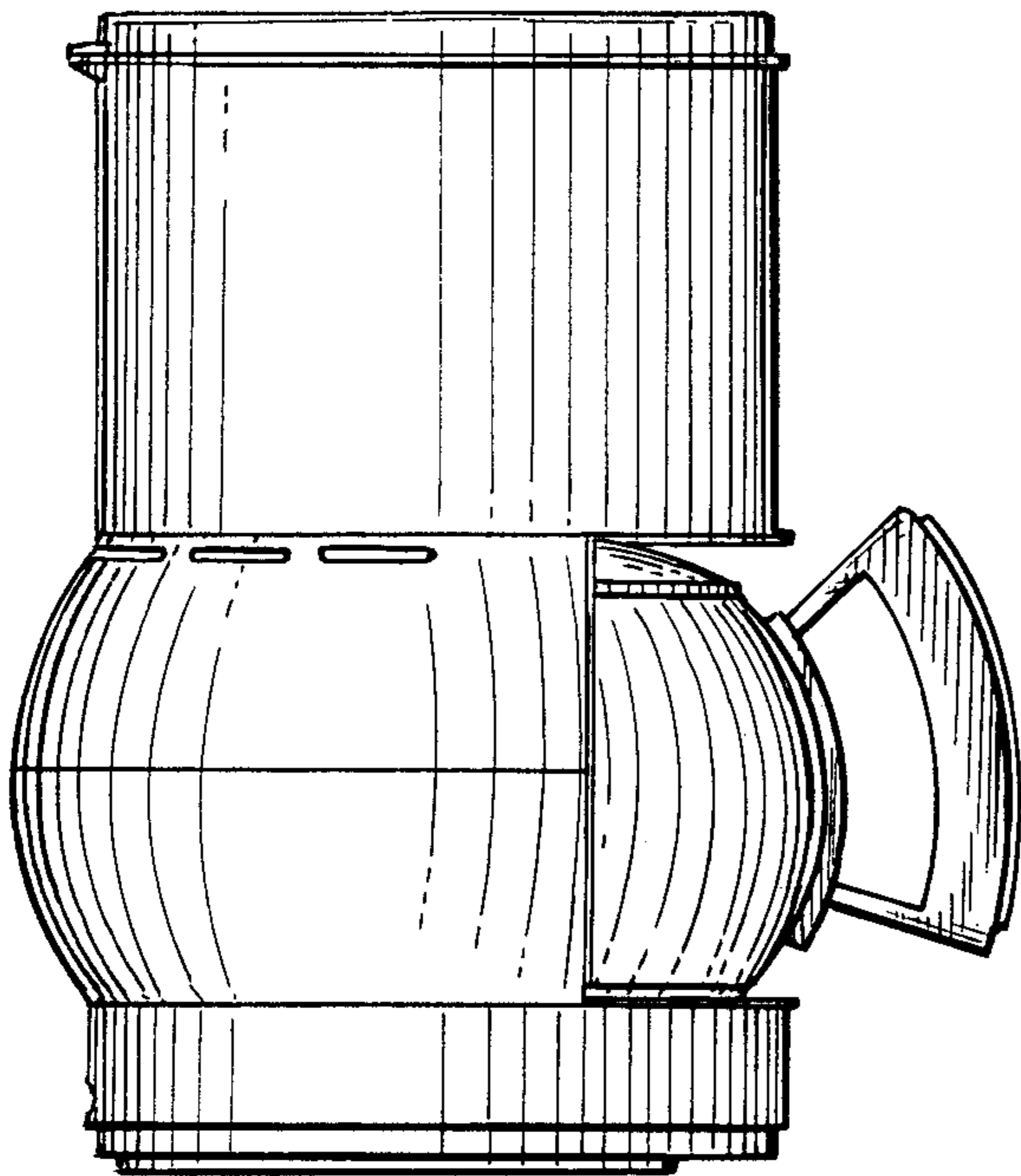


FIG. 4

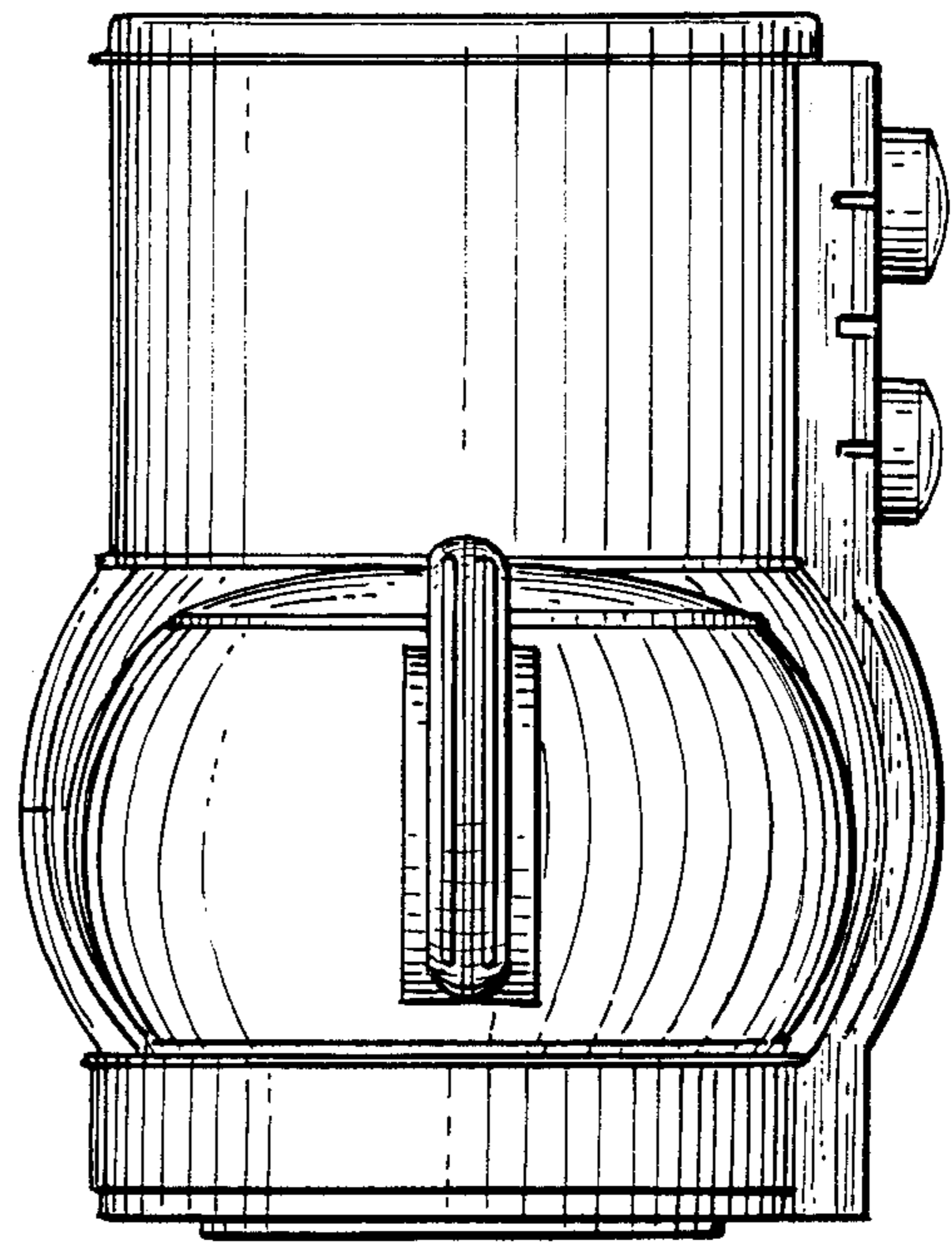


FIG. 5

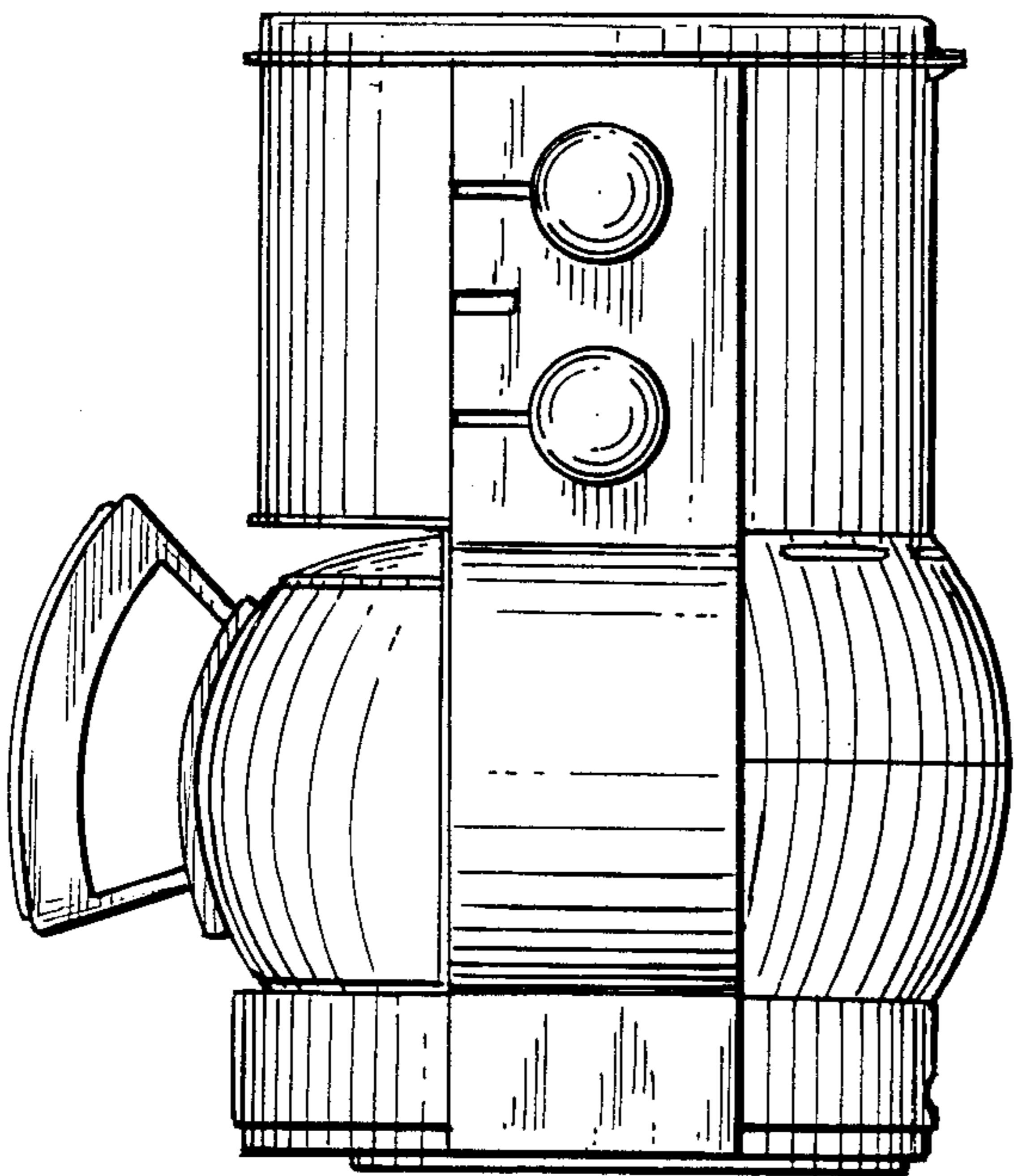


FIG. 3

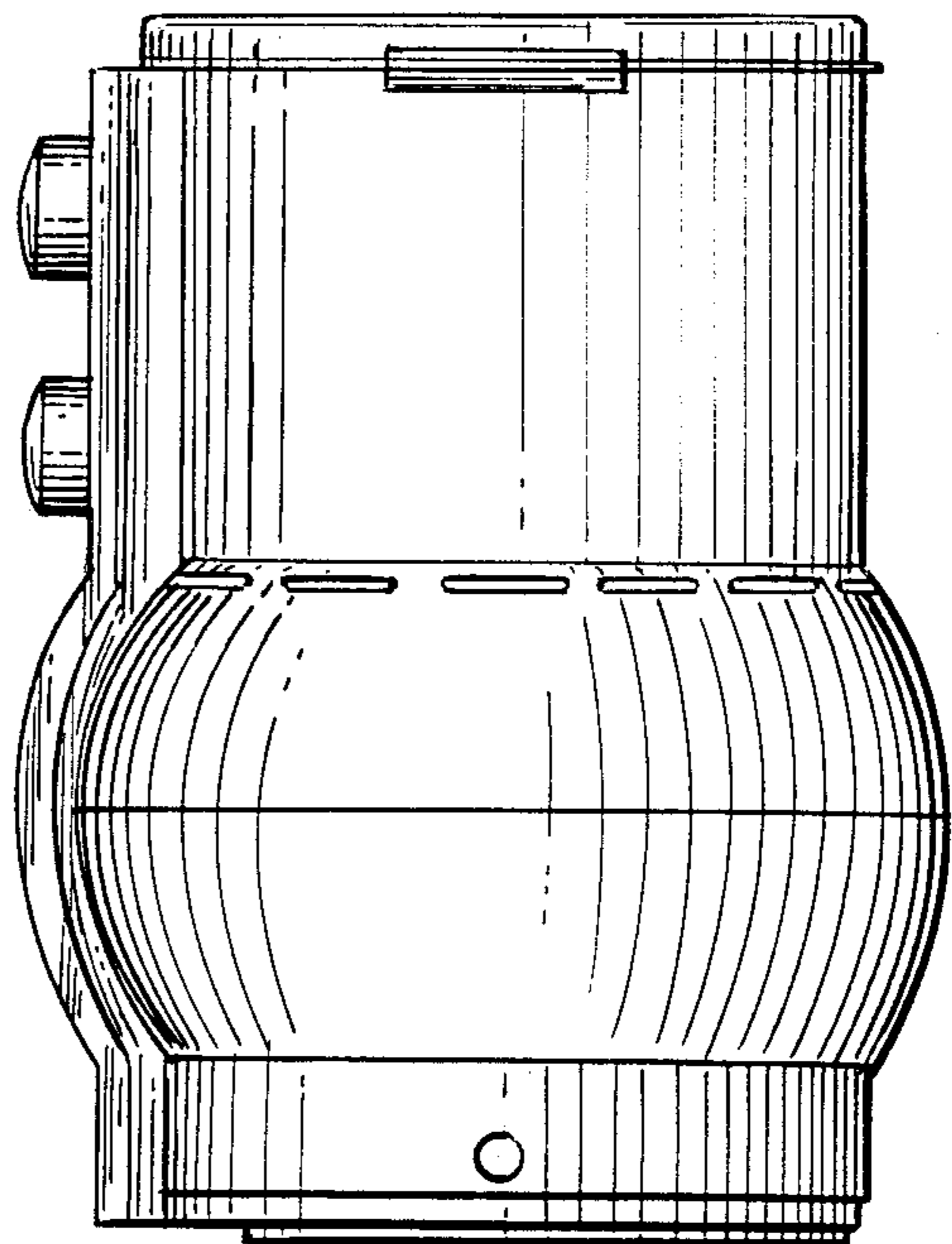


FIG. 6