

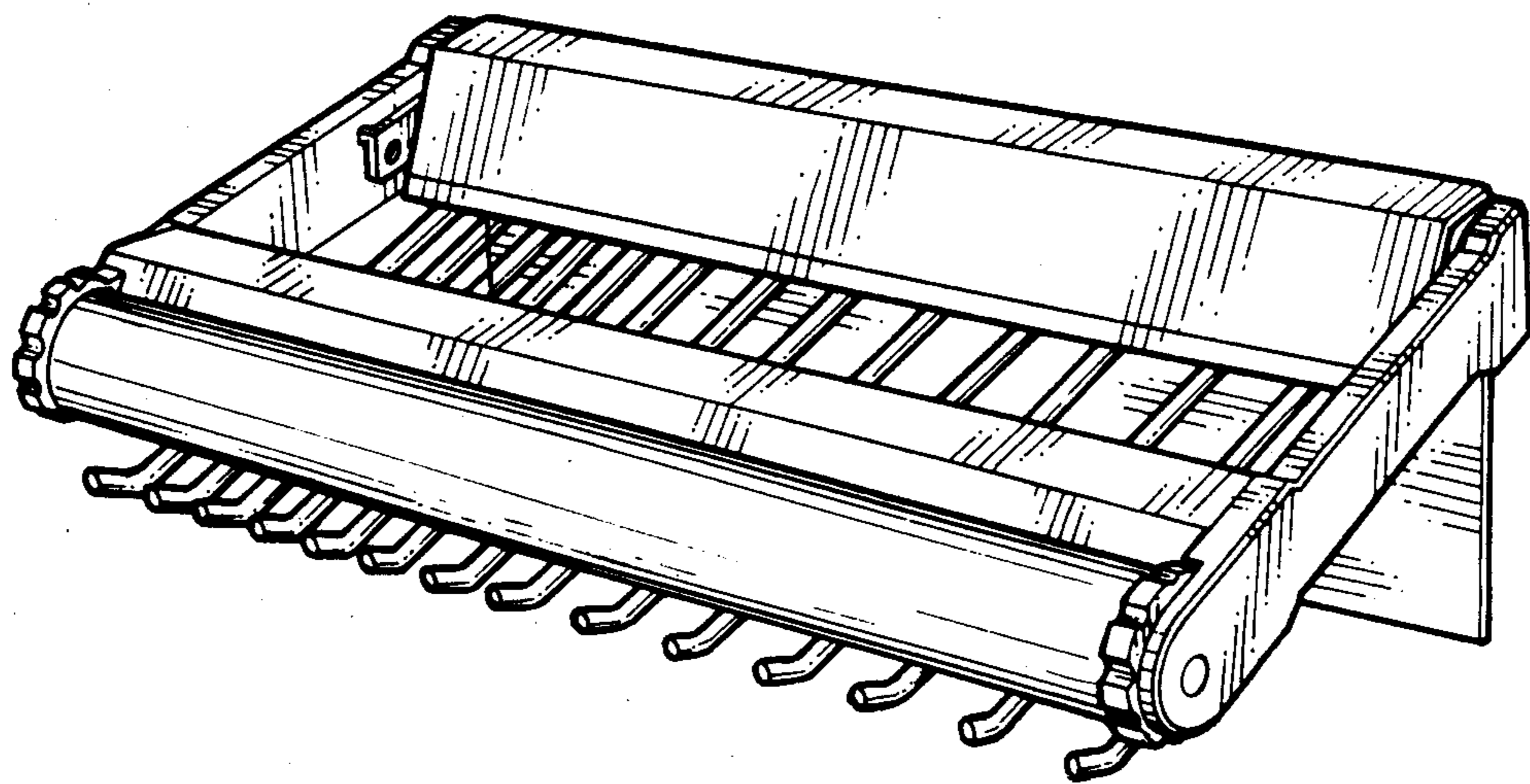
[54] **PRODUCT DISPLAY RACK**
[75] **Inventor: Rodney K. Longman, Boca Raton, Fla.**
[73] **Assignee: Pylon Manufacturing Corporation, Deerfield Beach, Fla.**
[**] **Term: 14 Years**
[21] **Appl. No.: 200,500**
[22] **Filed: May 24, 1988**
[52] **U.S. Cl. D6/569**
[58] **Field of Search D6/553, 512; 211/13, 211/44-45, 54.1, 78, 71, 86-87, 89, 95, 123; 242/55.2; 221/92, 312 A**

[56] **References Cited**
U.S. PATENT DOCUMENTS
D. 184,047 12/1958 Francavillo D6/569 X

D. 280,085 8/1985 O'Connor D6/569 X
Primary Examiner—Wallace R. Burke
Assistant Examiner—Brian N. Vinson
Attorney, Agent, or Firm—Edgar A. Zarins; Malcolm L. Sutherland

[57] **CLAIM**
The ornamental design for a product display rack, as shown and described.

DESCRIPTION
FIG. 1 is a top, front and right side perspective view of a product display rack showing my new design; FIG. 2 is a front elevational view thereof; FIG. 3 is a top plan view thereof; FIG. 4 is a right side elevational view thereof, the left side being a mirror image of that shown; FIG. 5 is a bottom plan view thereof; and FIG. 6 is a rear elevational view thereof.



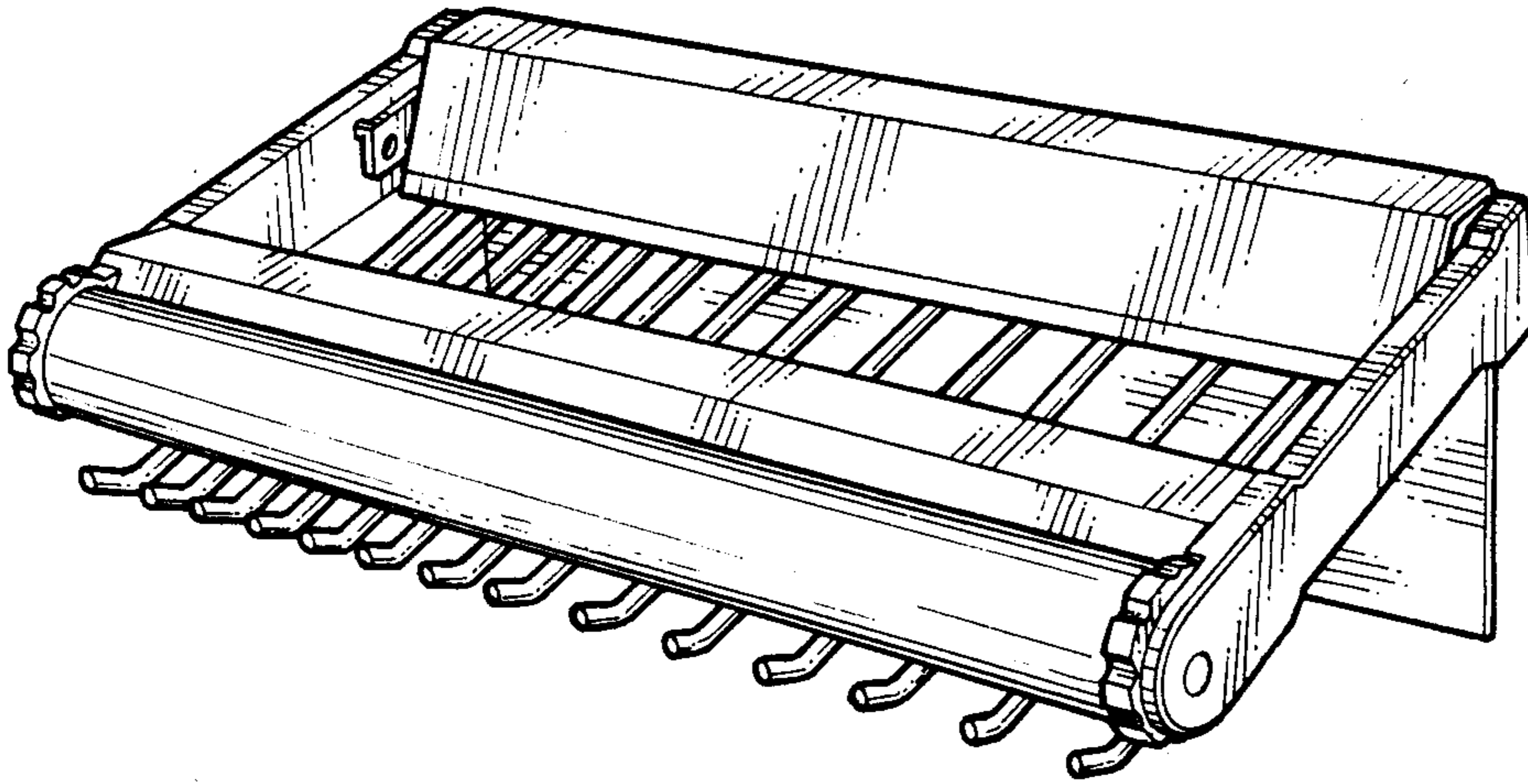


Fig-1

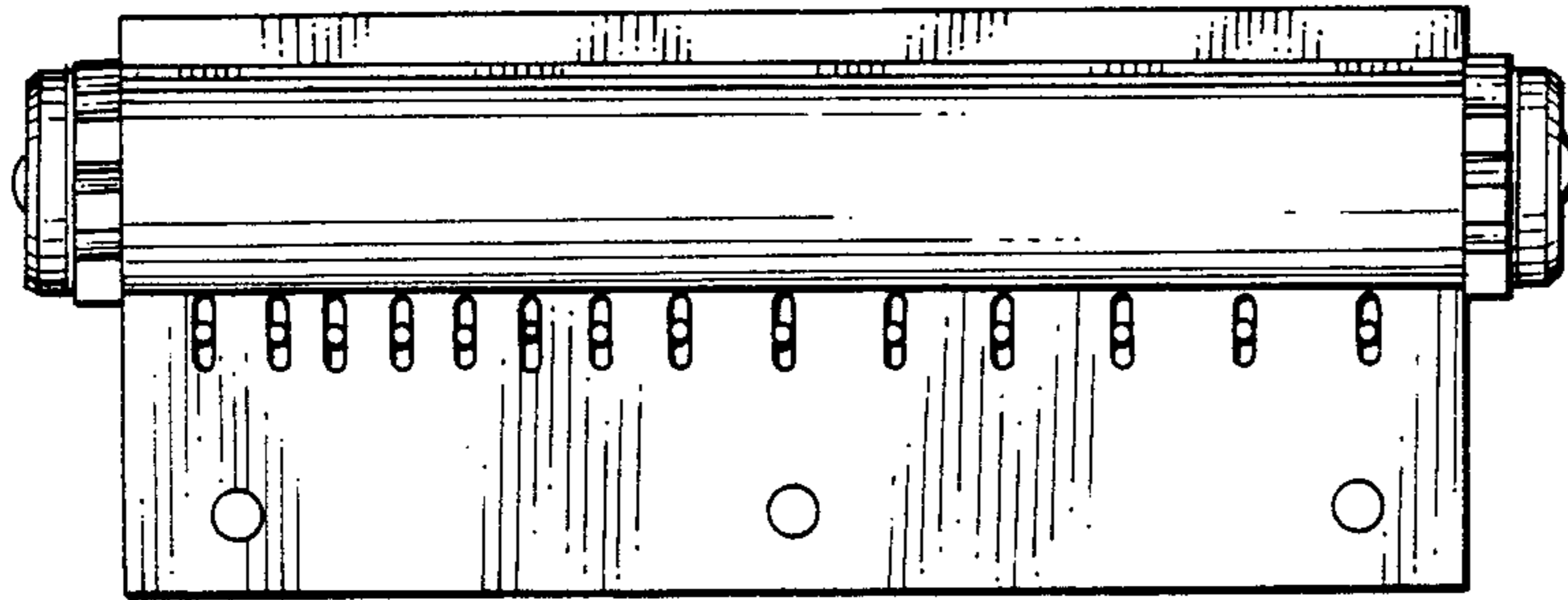


Fig-2

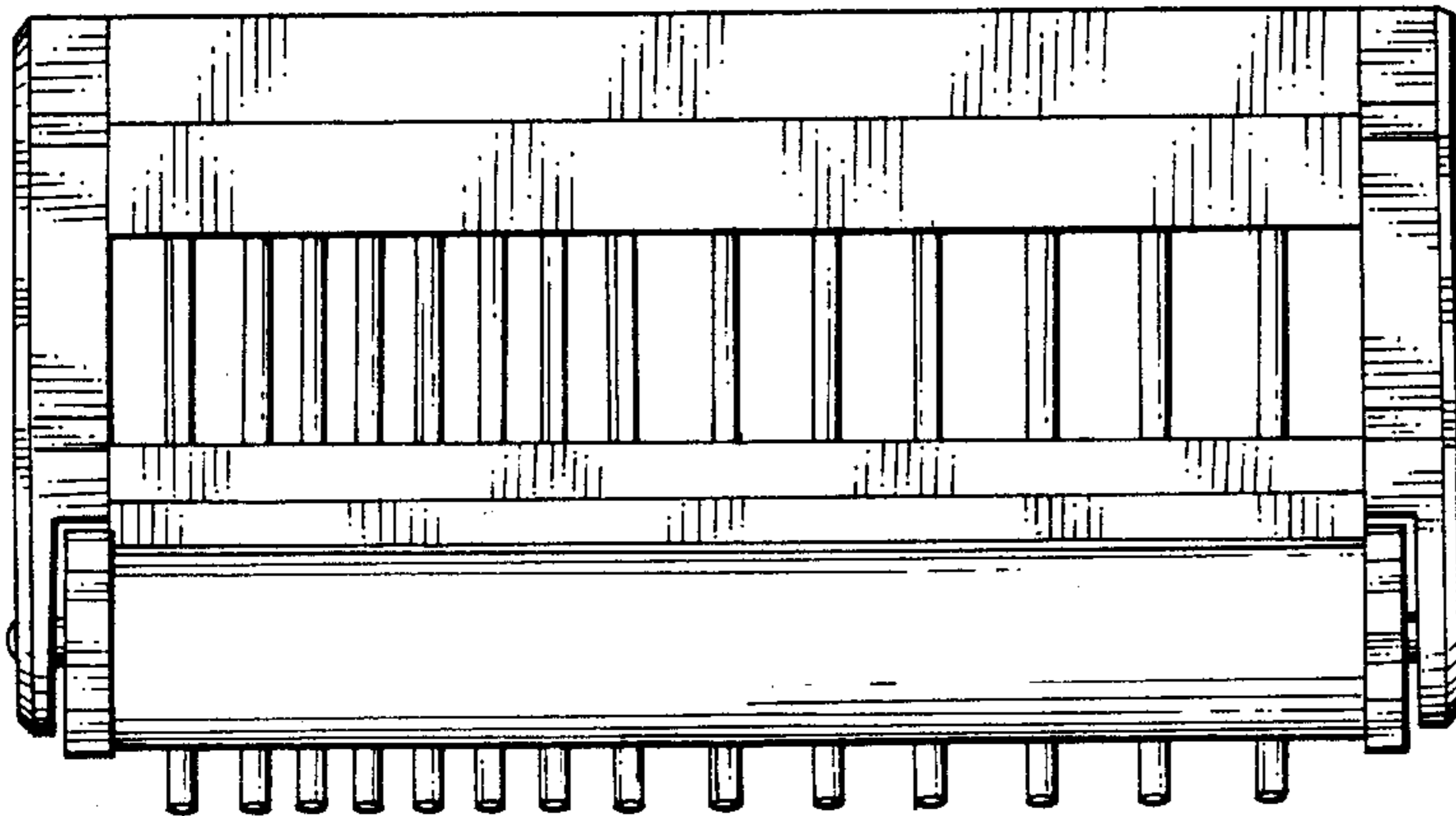


Fig-3

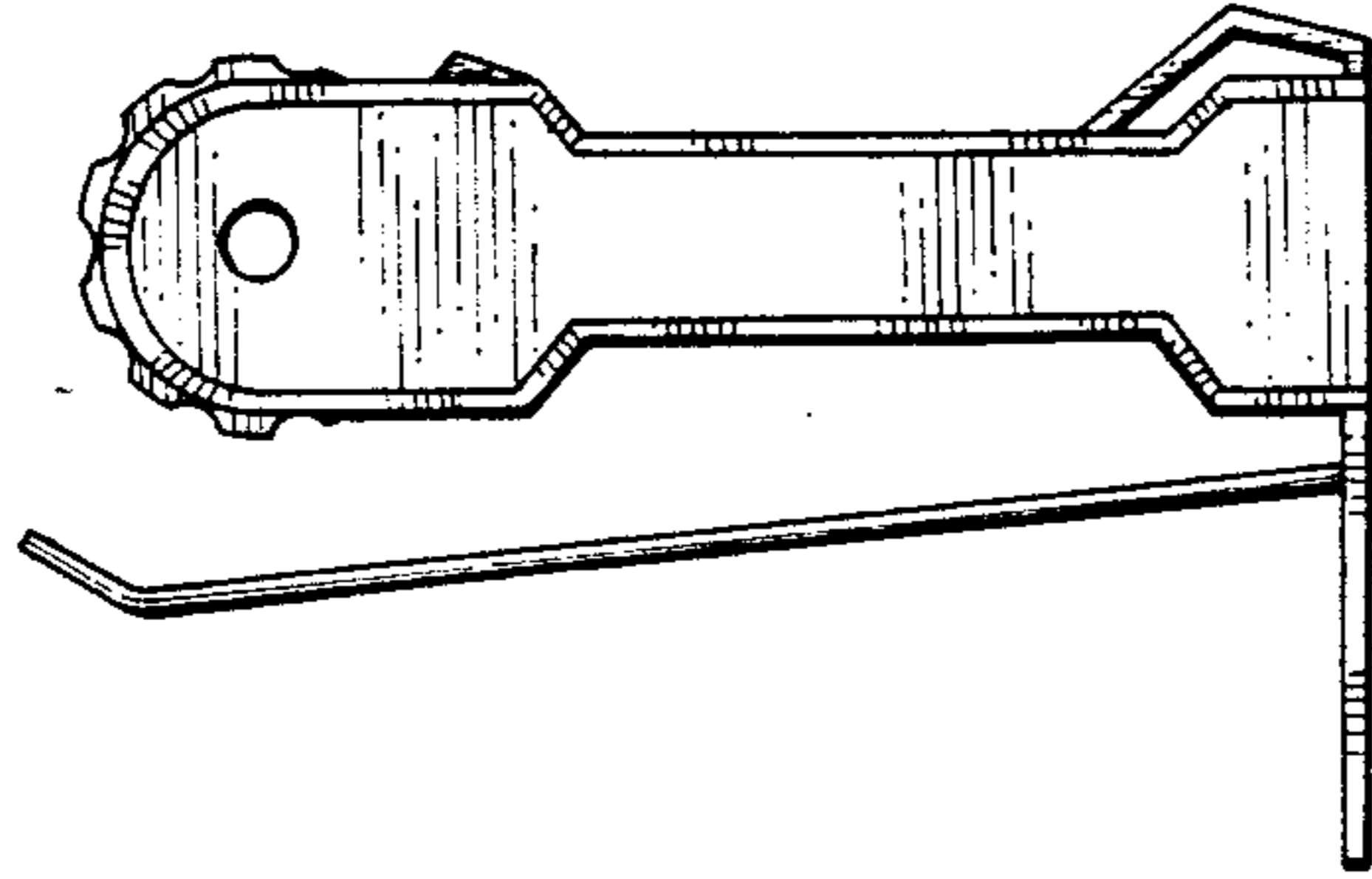


Fig-4

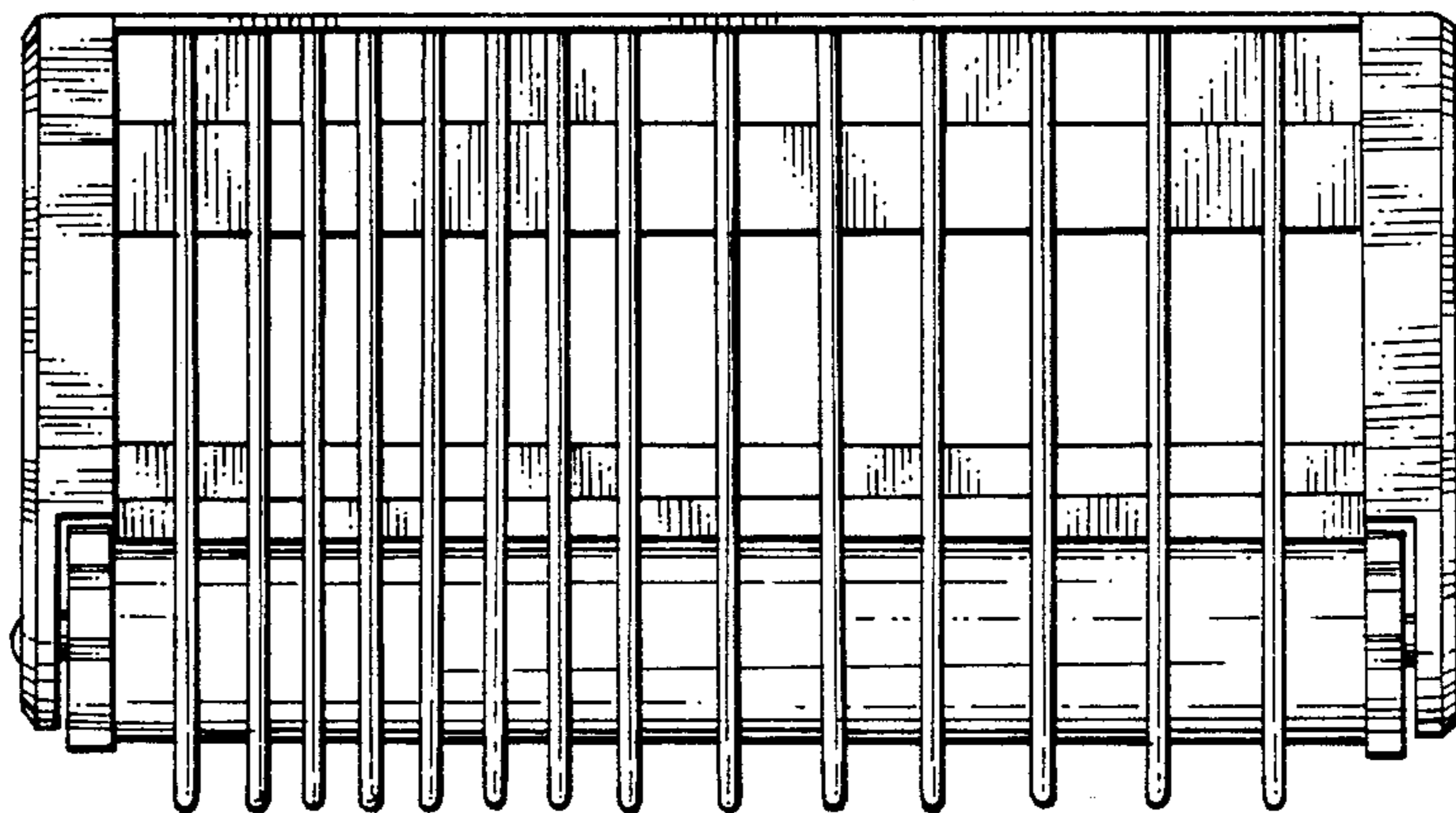


Fig-5

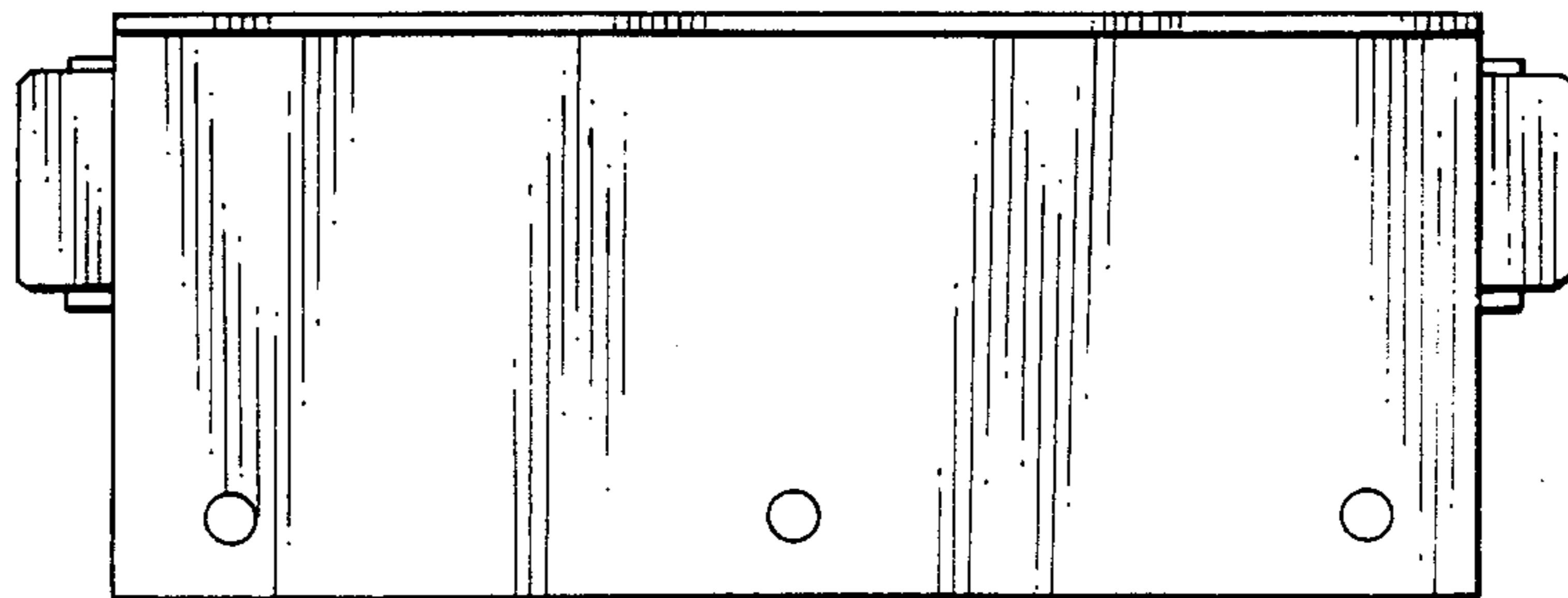


Fig-6