

[54] SUPPORT STAND FOR A CRT
 [75] Inventor: H. Charles Hassel, Los Angeles, Calif.
 [73] Assignee: MicroComputer Accessories, Inc., Los Angeles, Calif.
 [**] Term: 14 Years
 [21] Appl. No.: 117,318
 [22] Filed: Nov. 6, 1987
 [52] U.S. Cl. D6/474; D6/467
 [58] Field of Search D6/491, 460, 461, 474, D6/467

Inmac, p. 76, Adjustable Keyboard Shelf, bottom of page.
 Catalog page, "Tilt'n Turn", MicroComputer Accessories, 5405 Jandy Place, P.O. Box 66911, Los Angeles, Calif. 90066-0911, 1986.
 Same as above, "Tilt'n Turn Plus".

Primary Examiner—Bruce W. Dunkins
 Assistant Examiner—Janice E. Seeger
 Attorney, Agent, or Firm—Richard B. O'Planick

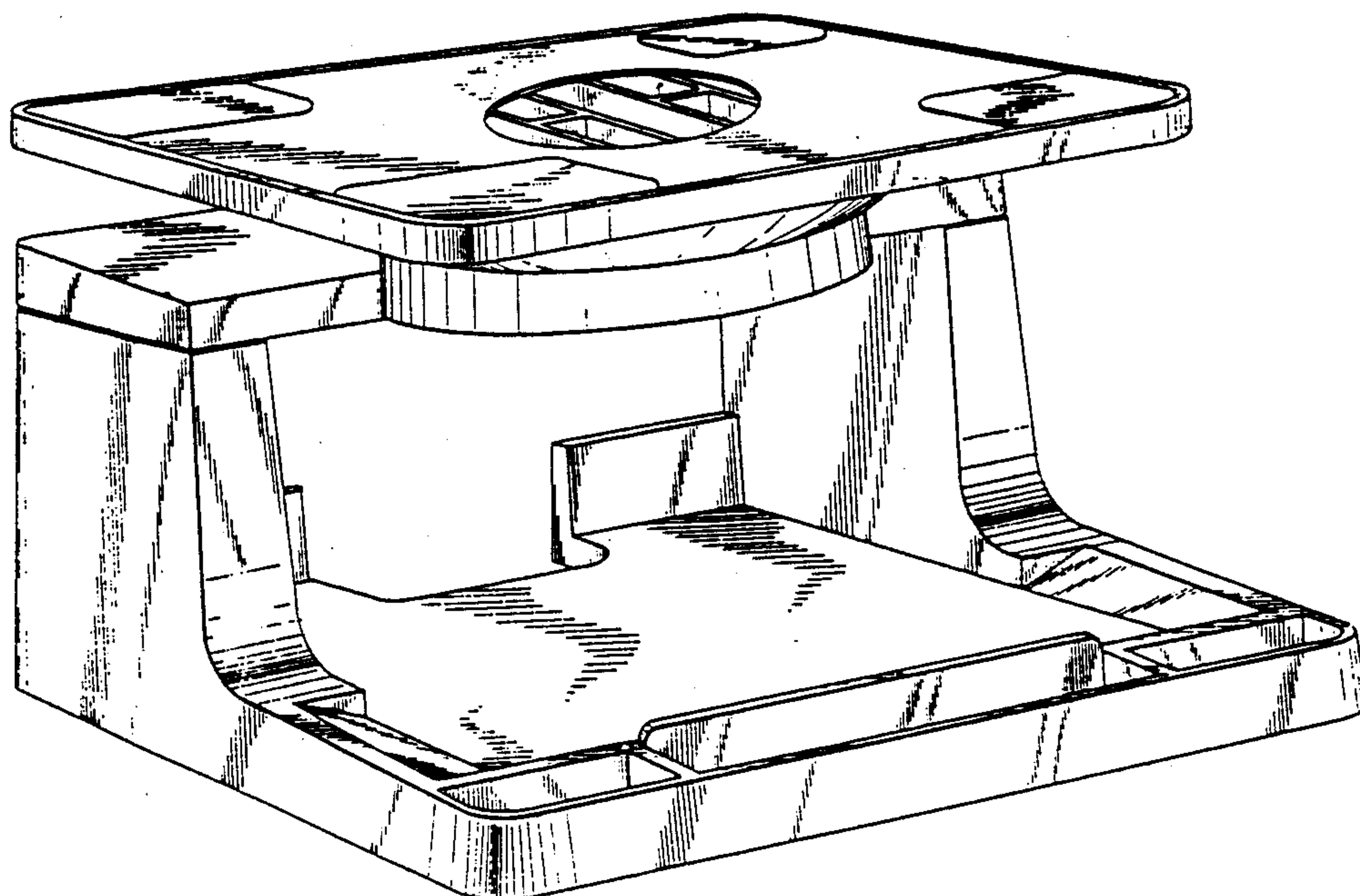
[57] CLAIM

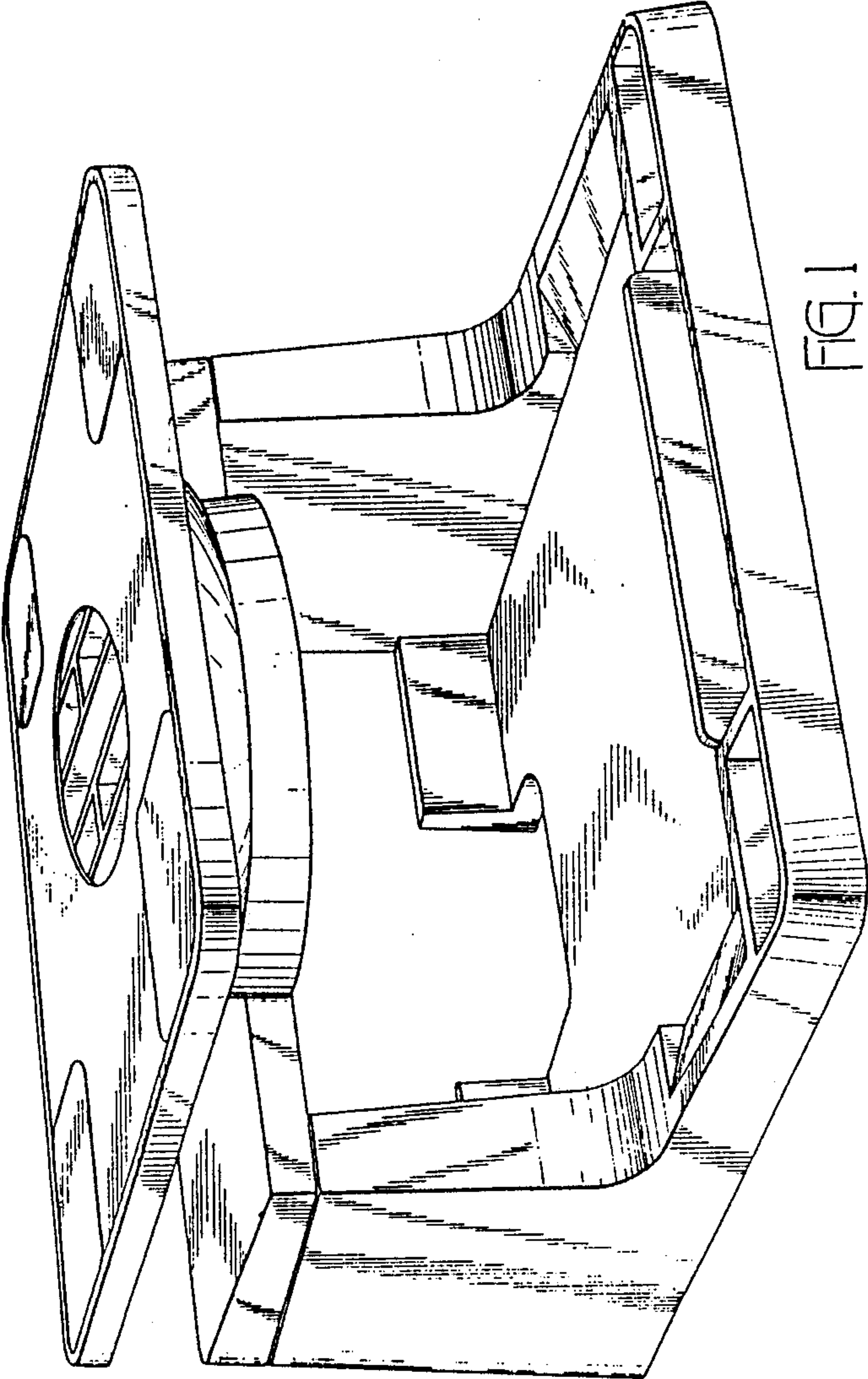
The ornamental design for a support stand for a CRT, as shown and described.

DESCRIPTION

FIG. 1 is a left front perspective view of an support stand for a CRT embodying my new design;
 FIG. 2 is a front elevational view thereof;
 FIG. 3 is a rear elevational view thereof;
 FIG. 4 is a bottom plan view thereof;
 FIG. 5 is a top plan view thereof;
 FIG. 6 is a side elevational view, the opposite side being a mirror image thereof.

[56] References Cited
 U.S. PATENT DOCUMENTS
 D. 147,967 11/1947 Glass D6/461
 OTHER PUBLICATIONS
 Marvel, p. 16, A. Multimode Turntable top center panel.
 Global, ©1985, p. 39, Item F-Tilt + Swivel Turntable.





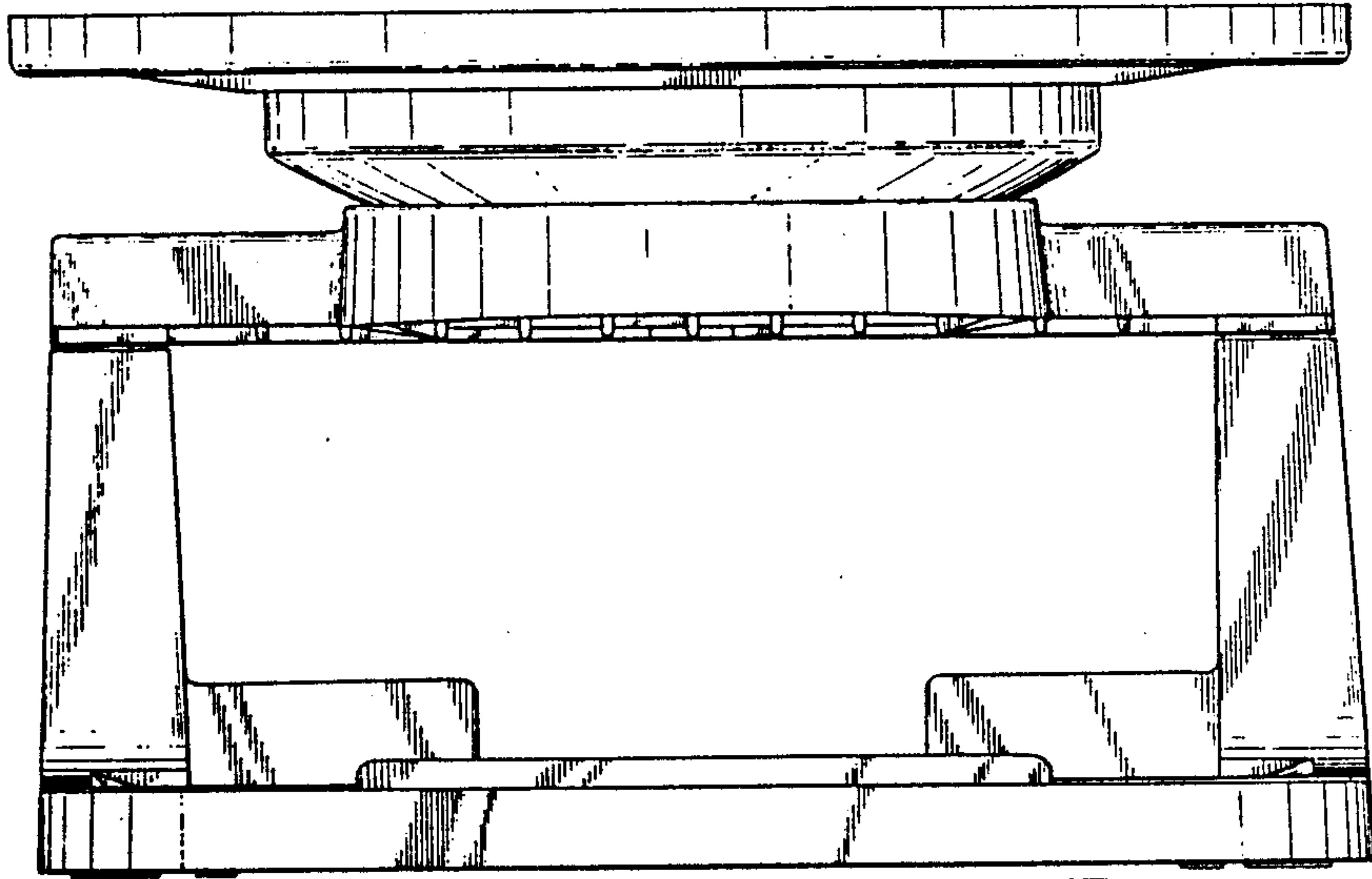


FIG. 2

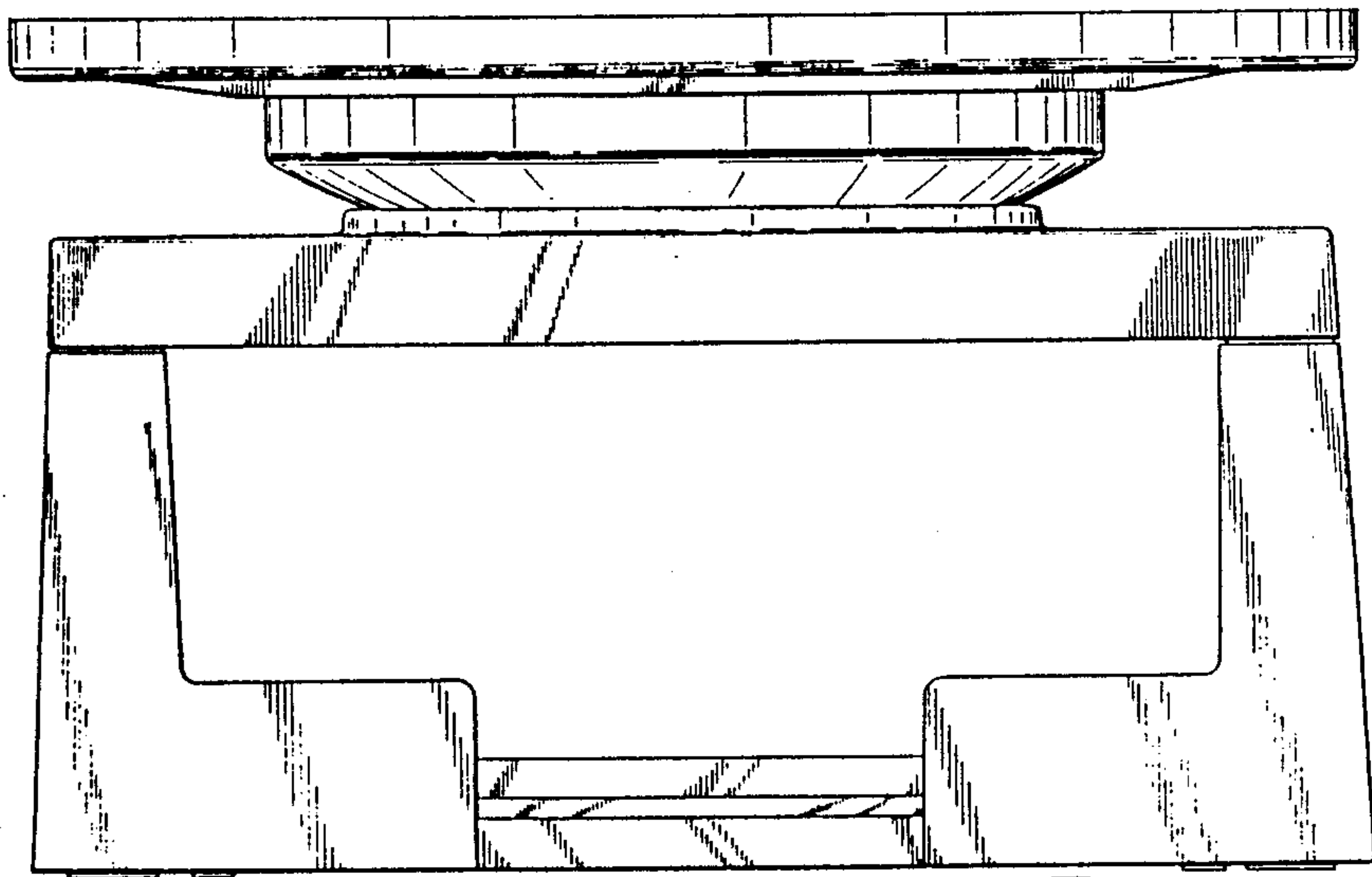


FIG. 3

FIG. 4

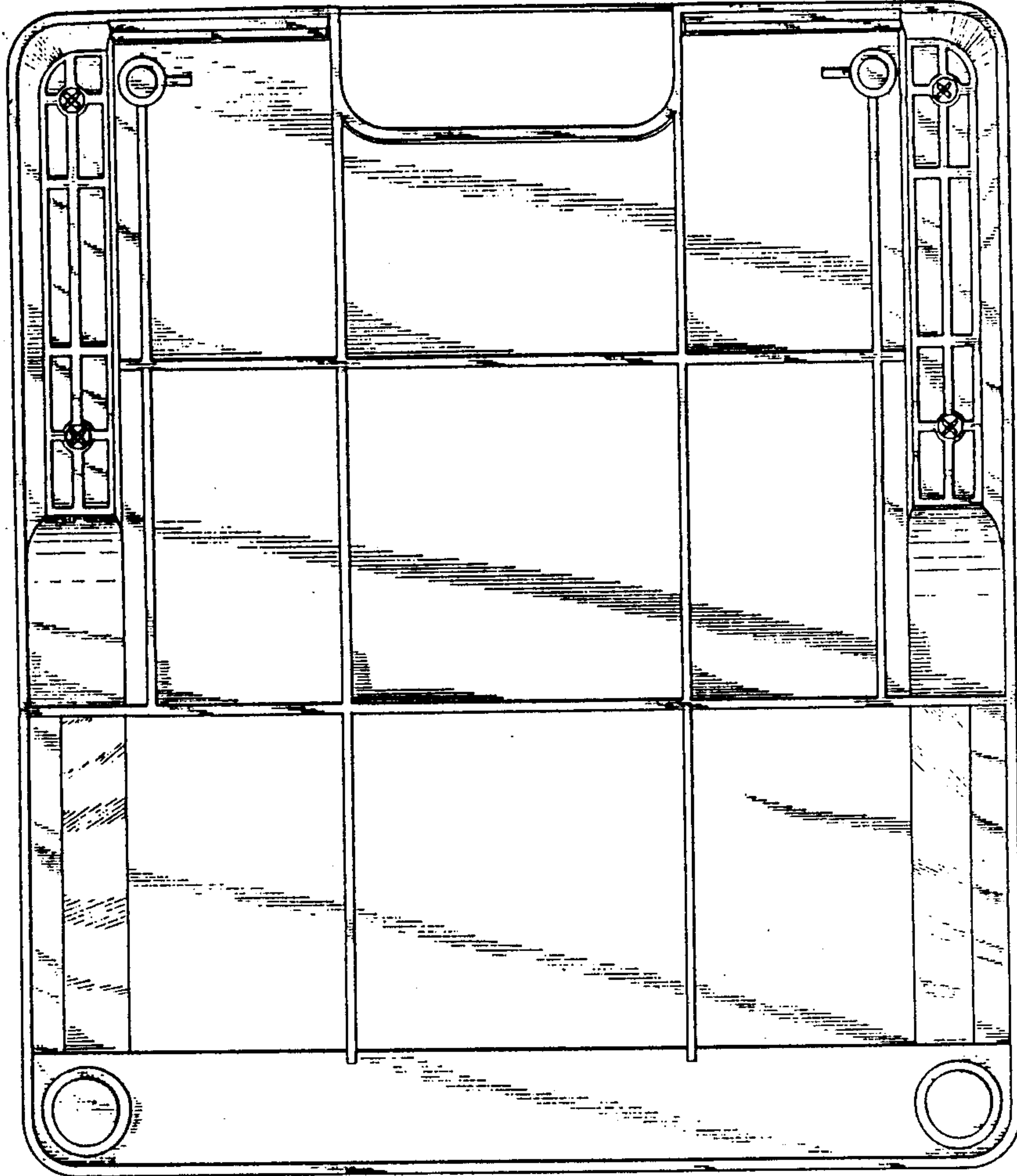
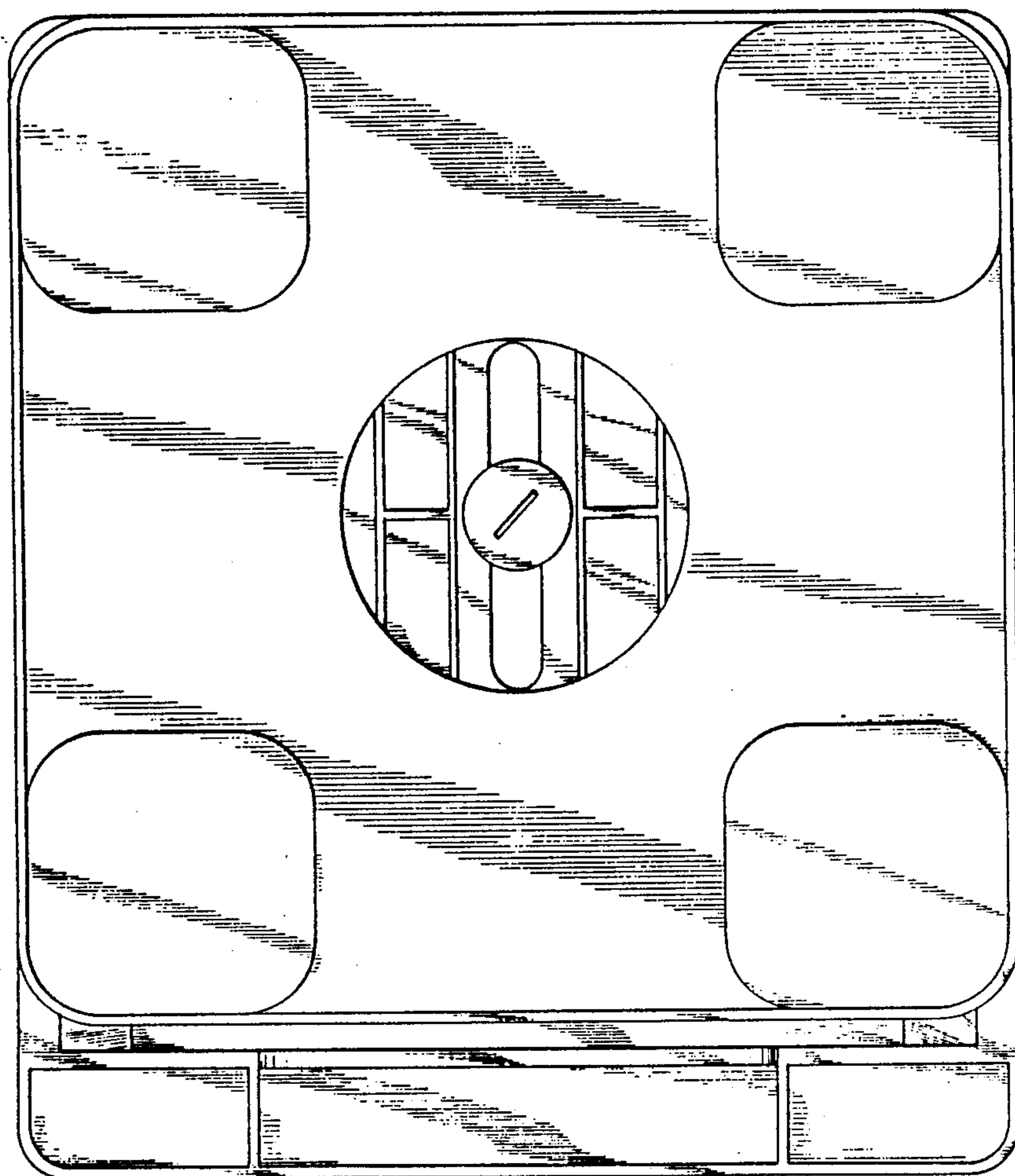


FIG. 5



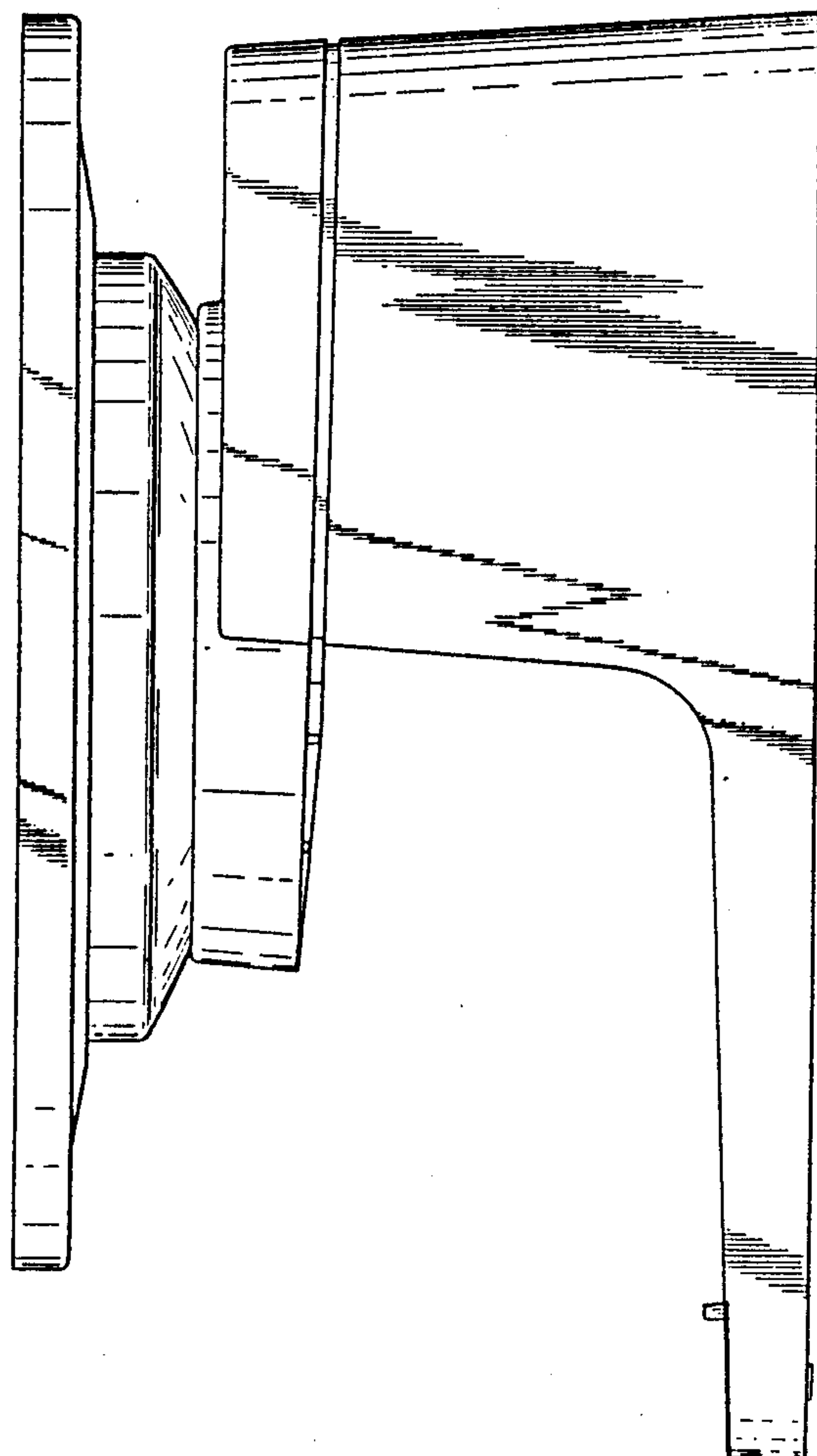


FIG. 6