

[54] **COMBINED SHOE RACK AND VALET TRAY**

[76] **Inventor: George R. Staton, 3291 Solaridge, Las Cruces, N. Mex. 88001**

[**] **Term: 14 Years**

[21] **Appl. No.: 130,664**

[22] **Filed: Dec. 9, 1987**

[52] **U.S. Cl. D6/414; D6/397**

[58] **Field of Search 211/13, 34, 35, 36, 211/37, 38; D6/411-415, 396, 397, 55; 223/120**

[56] **References Cited**

U.S. PATENT DOCUMENTS

D. 49,624	9/1916	Rought	D6/413
D. 80,453	2/1930	Pieri	D6/413
D. 141,851	7/1945	Schweitzer	D6/414
D. 167,461	8/1952	Heftel	D6/414

D. 289,350	4/1987	Cordero	D6/414 X
2,152,192	3/1939	Hoffman	211/34
4,611,717	9/1986	Hutson	211/34
4,688,687	8/1987	Pryor	211/34 X

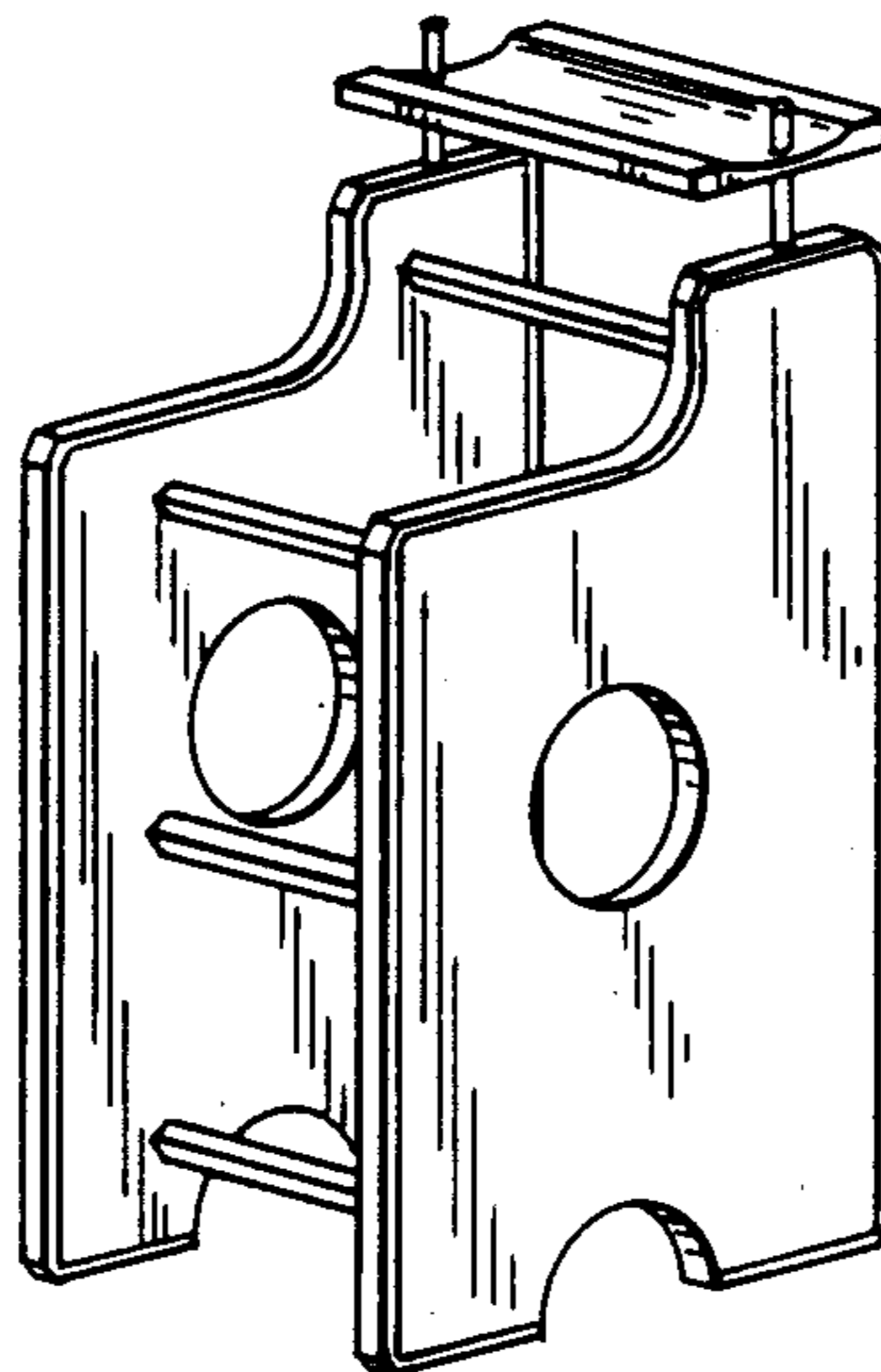
Primary Examiner—Carmen H. Vales-Lado
Attorney, Agent, or Firm—Richard L. Miller

[57] **CLAIM**

The ornamental design for a combined shoe rack and valet tray, as shown and described.

DESCRIPTION

FIG. 1 is a perspective view of a combined shoe rack and valet tray showing my new design;
FIG. 2 is a top plan view thereof;
FIG. 3 is a rear elevational view thereof;
FIG. 4 is a front elevational view thereof;
FIG. 5 is a right side elevational view thereof; and
FIG. 6 is a bottom plan view thereof.



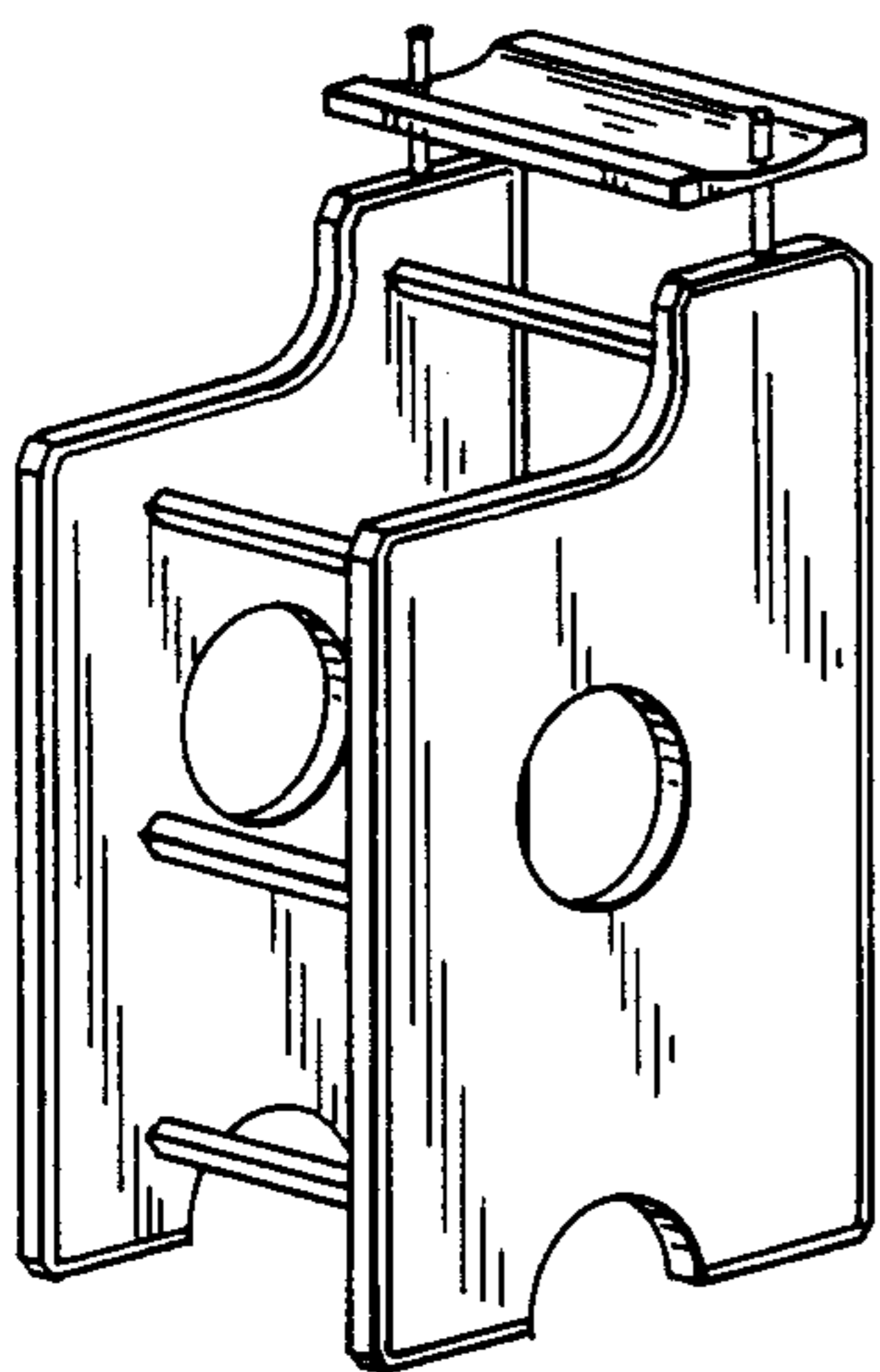


FIG. 1

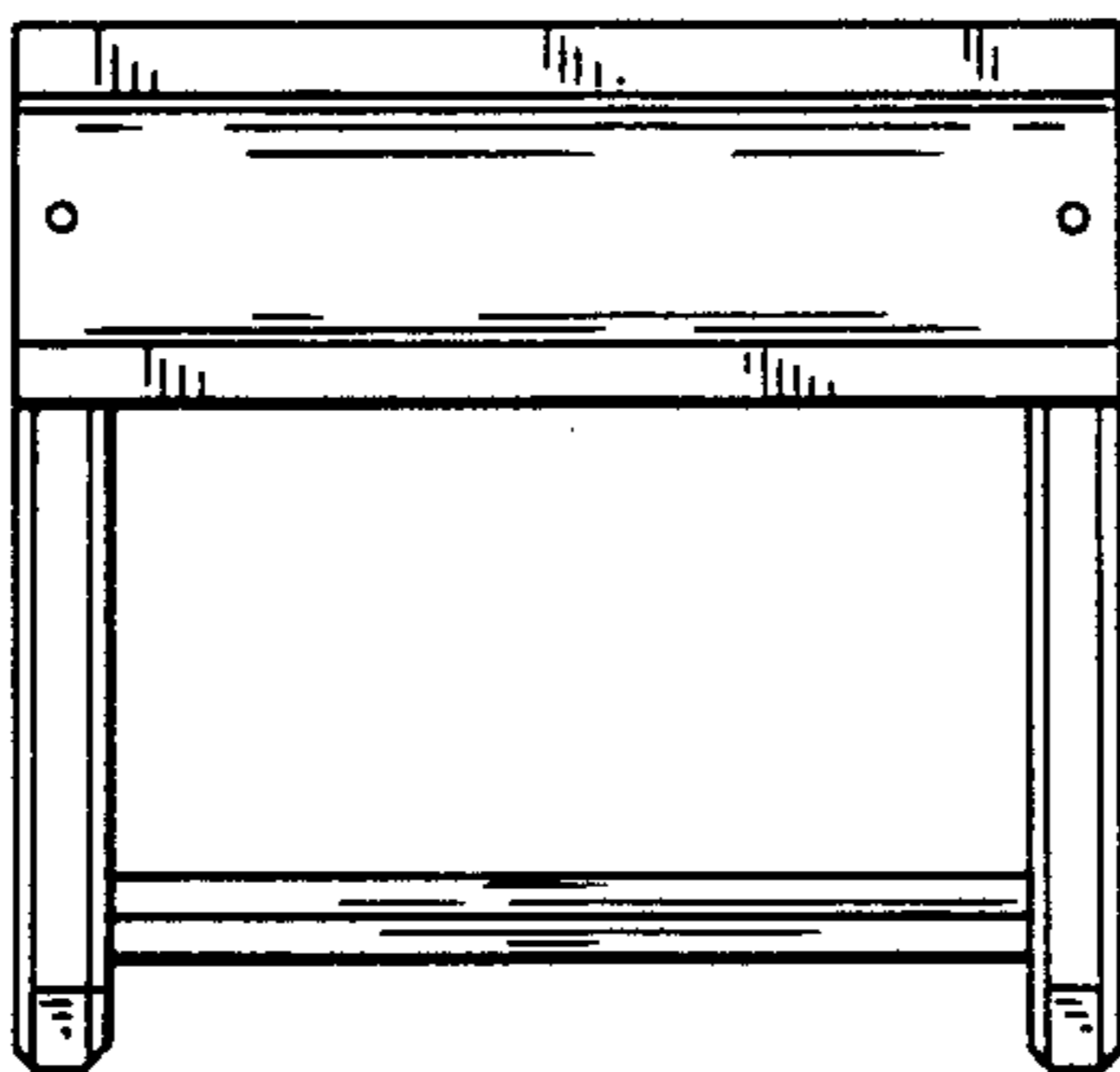


FIG. 2

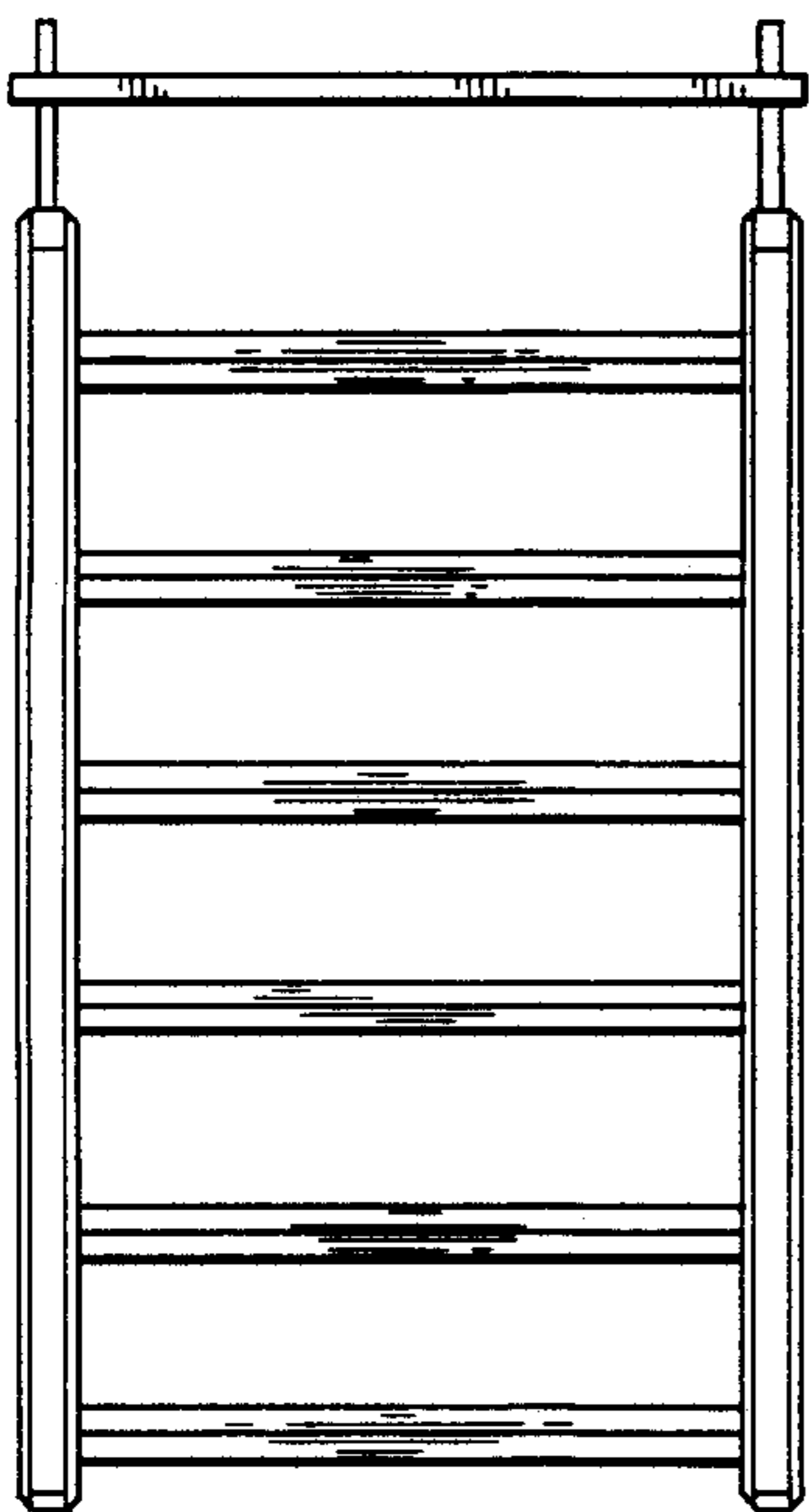


FIG. 3

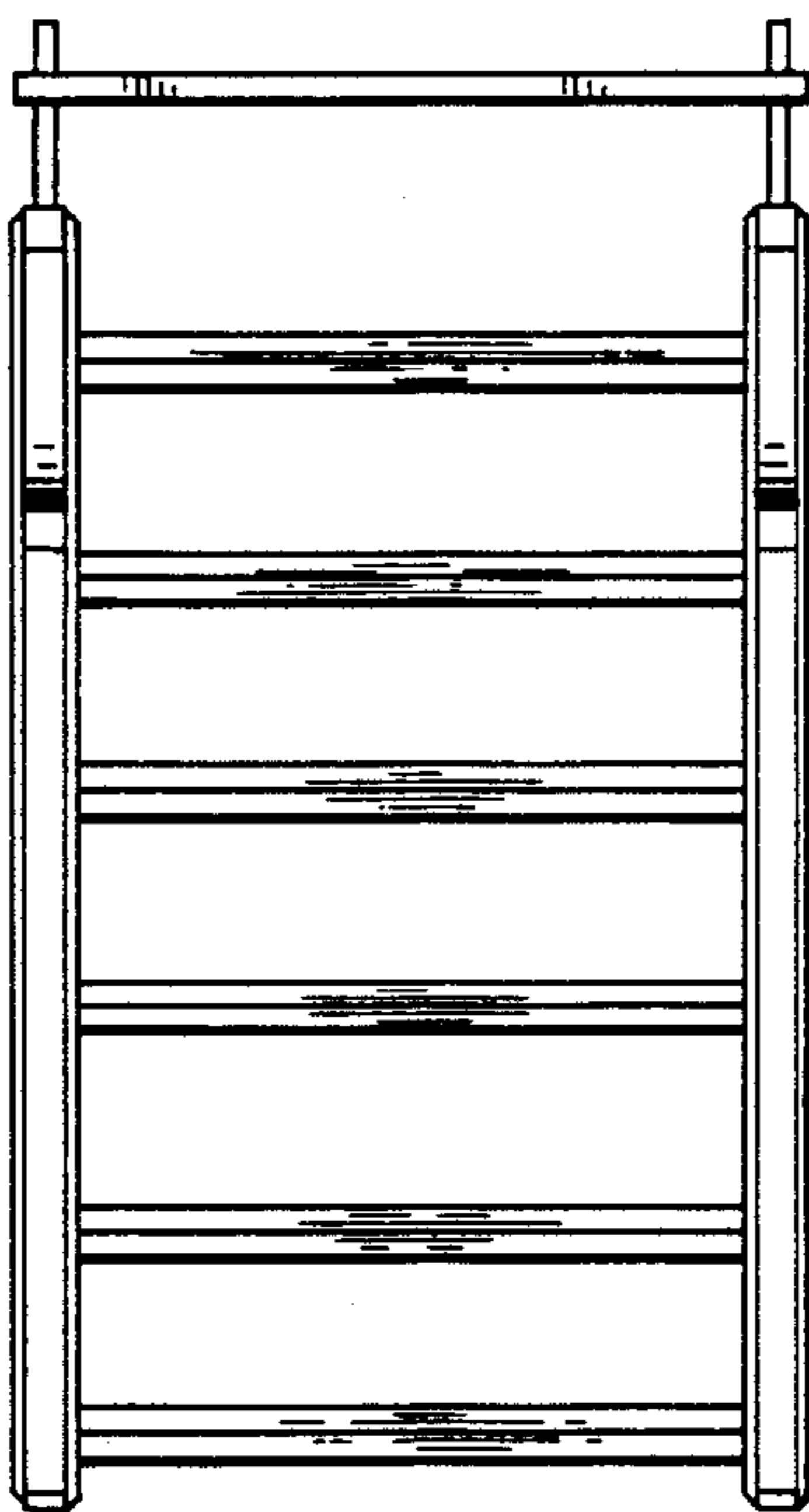


FIG. 4

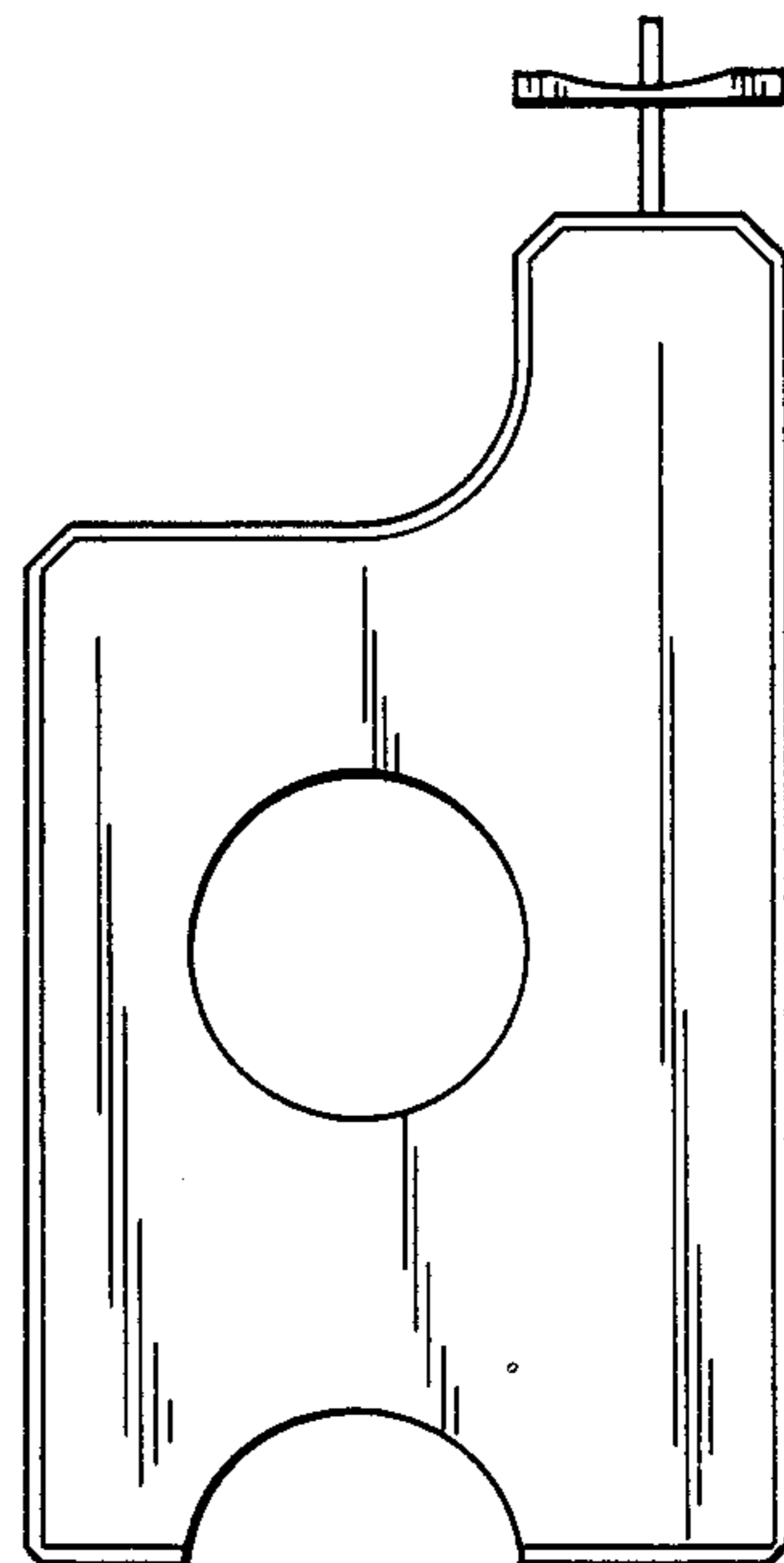


FIG. 5

FIG. 6

