

[54] **FLEXIBLE CARRYING BAG
PARTICULARLY FOR TYPEWRITER**

[75] **Inventor: Mario Bellini, Milan, Italy**
[73] **Assignee: Ing C. Olivetti & C., S.p.A., Ivrea,
Italy**
[**] **Term: 14 Years**
[21] **Appl. No.: 71,051**
[22] **Filed: Jul. 8, 1987**

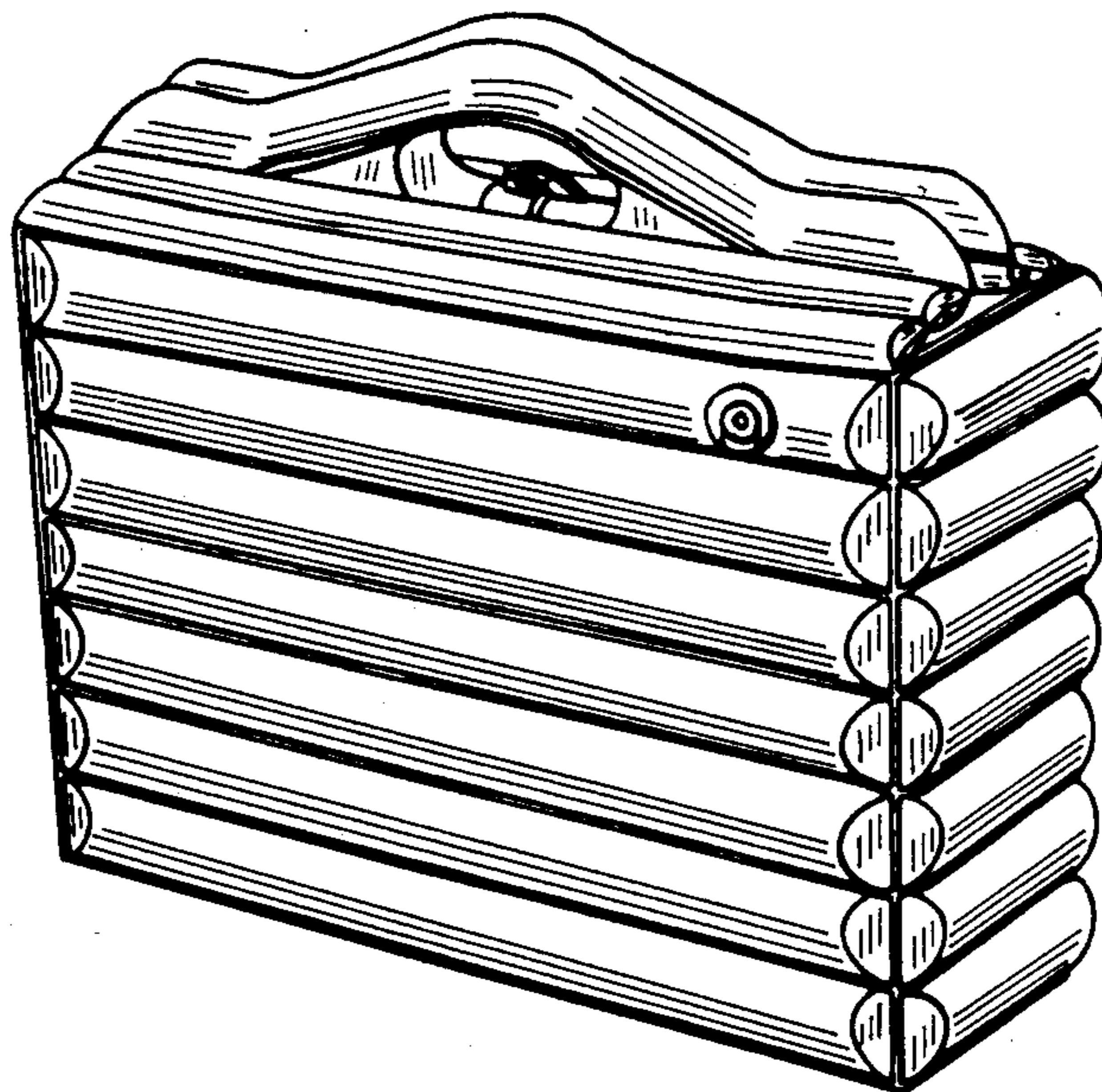
[30] **Foreign Application Priority Data**
Mar. 18, 1987 [IT] Italy 53149/87[U]
[52] **U.S. Cl. D3/73**
[58] **Field of Search D3/30.1, 41-54,
D3/74-79, 73, 99; 383/2-4, 6, 98, 99, 12;
312/208; 190/1, 124, 100, 103, 107, 109-112**

[56] **References Cited**
U.S. PATENT DOCUMENTS
D. 235,036 4/1975 Kuramochi D3/73
3,587,794 6/1971 Mattel 383/3
4,044,867 8/1977 Fisher 383/3 X
4,085,785 4/1978 Hoot 383/3 X

Primary Examiner—Louis S. Zarfes
Attorney, Agent, or Firm—Banner, Birch, McKie &
Beckett

[57] **CLAIM**
The ornamental design for a flexible carrying bag par-
ticularly for typewriter, as shown and described.

DESCRIPTION
FIG. 1 is a front and right perspective view of a flexible
carrying bag particularly for typewriter showing my
new design;
FIG. 2 is a front elevational view thereof;
FIG. 3 is a right side elevational view thereof;
FIG. 4 is a top plan view thereof; and
FIG. 5 is a bottom plan view thereof.



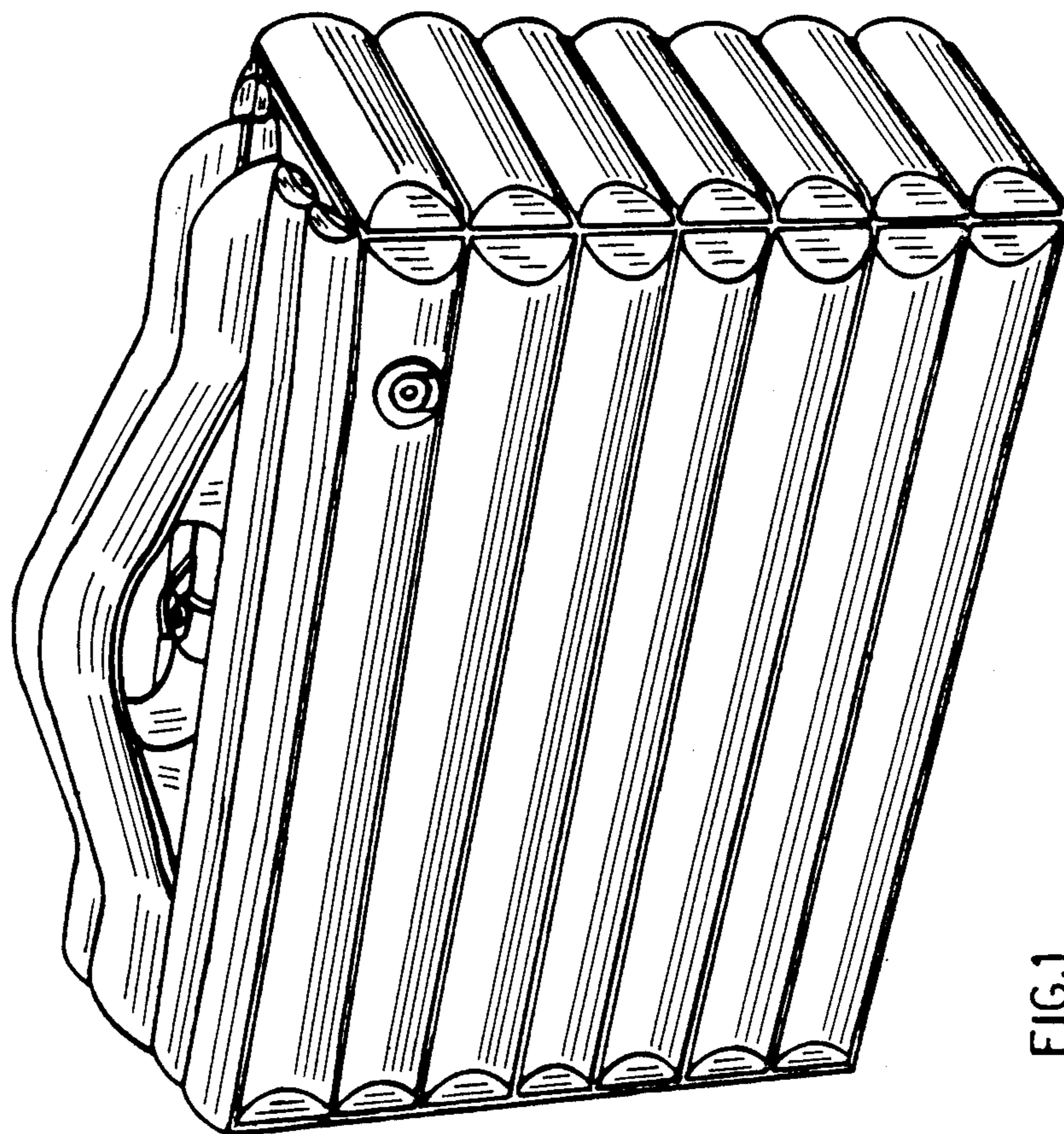


FIG.1

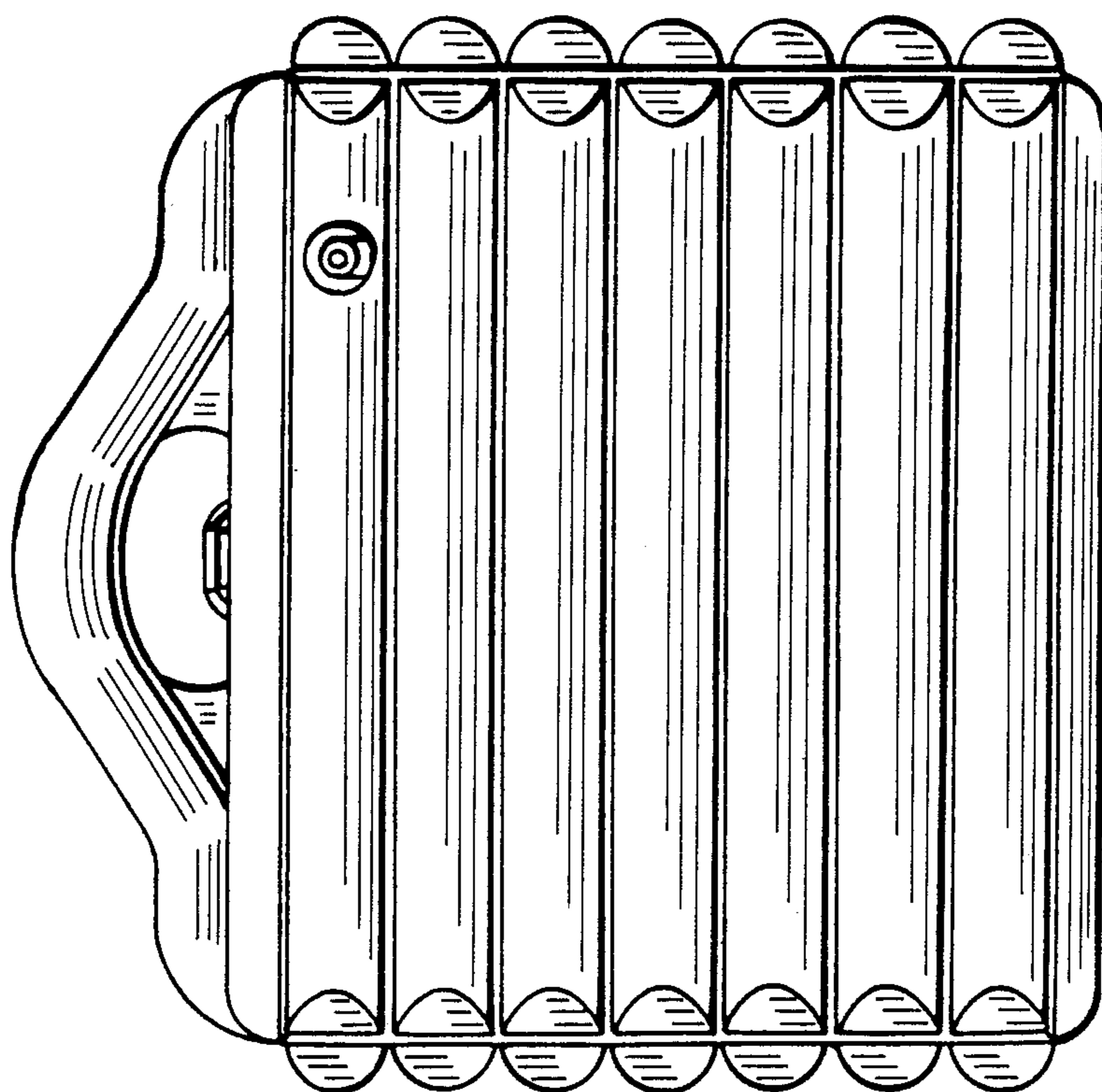


FIG. 2

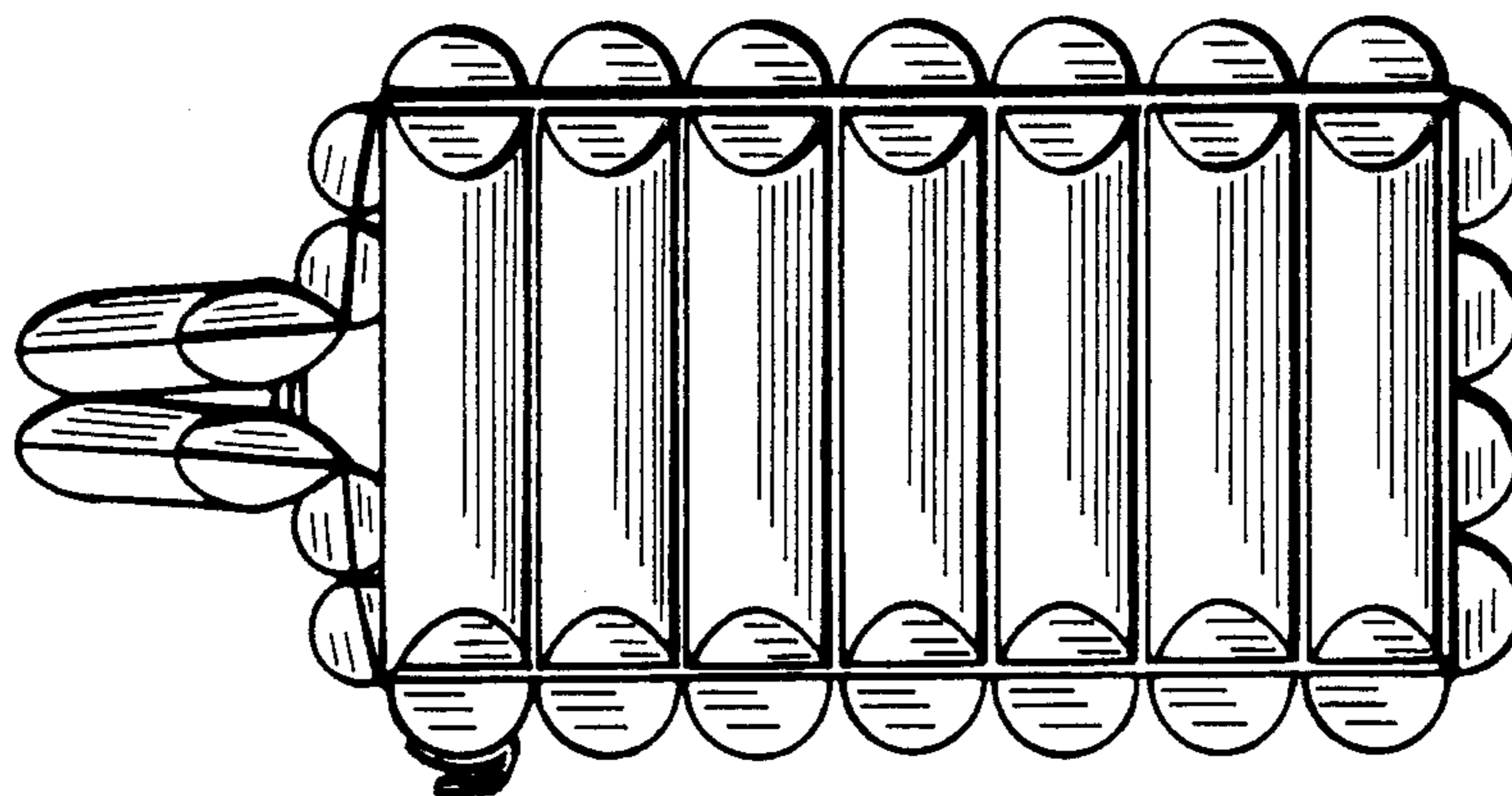


FIG. 3

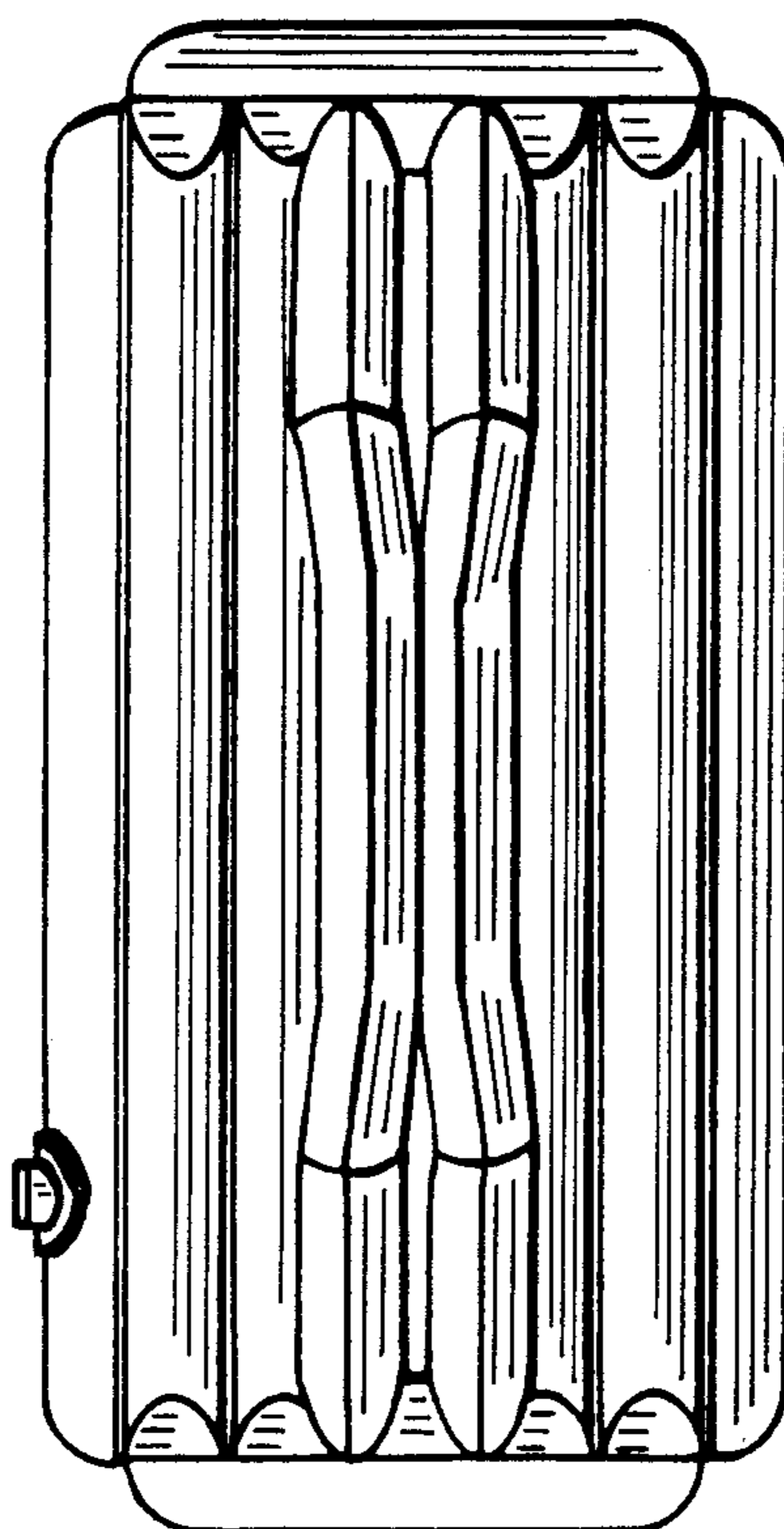


FIG. 4

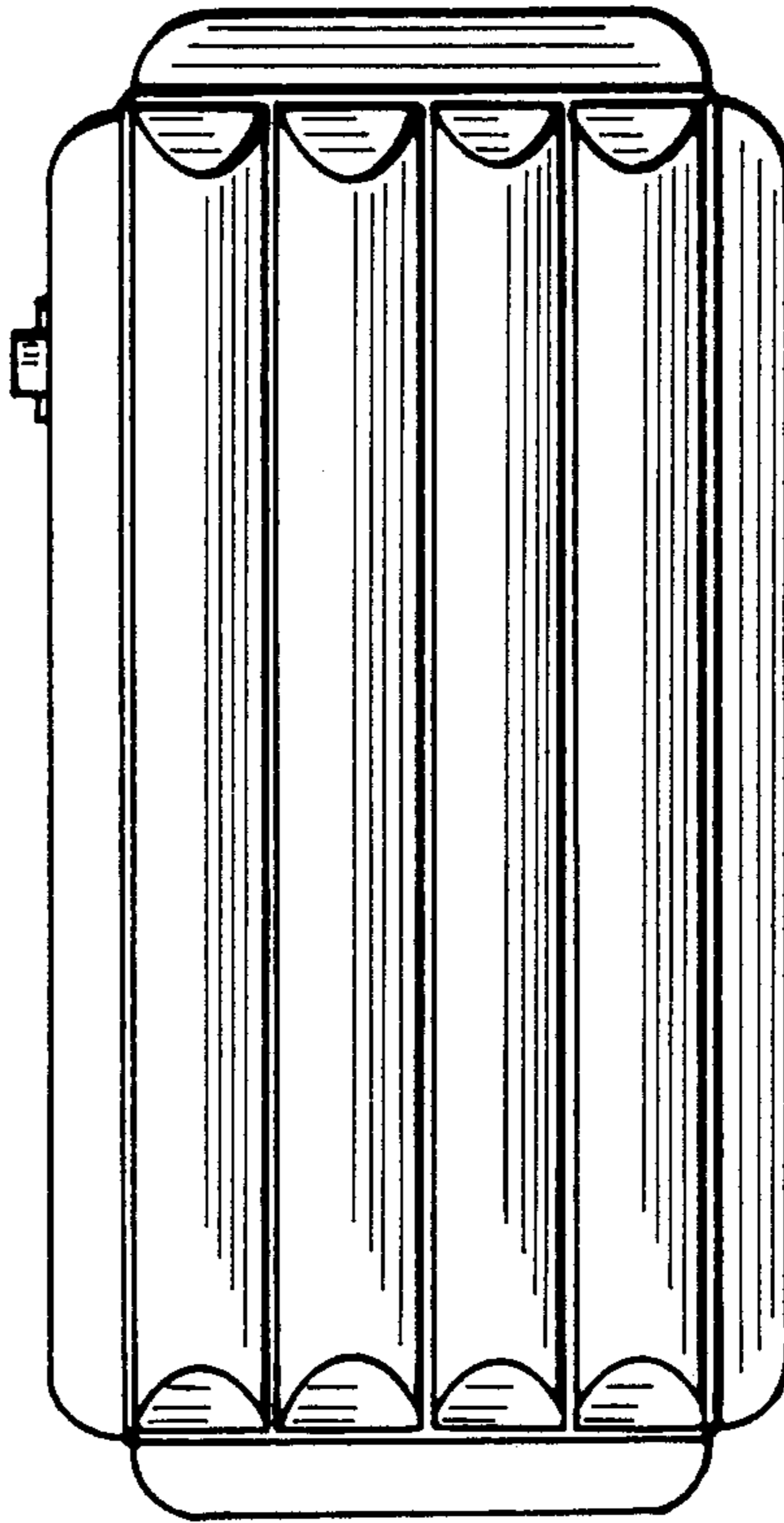


FIG. 5