

[54] CUP SHAPED SOLE

[75] Inventor: Michael A. Aveni, Lake Oswego, Oreg.

[73] Assignees: Nike, Inc.; Nike International, Ltd., both of Beaverton, Oreg.

[**] Term: 14 Years

[21] Appl. No.: 536,453

[22] Filed: Jun. 12, 1990

[52] U.S. Cl. D2/320

[58] Field of Search D2/264, 265, 274, 308-314, D2/317-320; 36/11.5, 25 R, 32 R, 59 R, 59 C, 101-103, 106, 112-114, 132, 136

[56] References Cited

U.S. PATENT DOCUMENTS

D. 107,977	1/1938	Tousley	
D. 251,817	5/1979	Inohara	D2/309
D. 255,174	6/1980	Hamada	D2/320
D. 255,175	6/1980	Iwakata	D2/320
D. 257,075	9/1980	Amicone et al.	D2/320
D. 259,150	5/1981	Cesare et al.	D2/320
D. 265,019	6/1982	Vermonet	D2/320
D. 265,435	7/1982	Vermonet	D2/309
D. 265,521	7/1982	Vermonet	D2/309
D. 274,956	8/1984	Saruwatari	D2/320
D. 290,541	6/1987	O'Rourke	D2/320
4,348,821	9/1982	Daswick	36/103
4,562,651	1/1986	Frederick et al.	36/102
4,776,111	10/1988	Crowley	36/89
4,817,304	4/1989	Parker et al.	36/114
4,833,795	5/1989	Diaz	36/114 X

OTHER PUBLICATIONS

Fall 1988 Nike Catalog, p. 24, published Jan. 1988.
Spring 1989 Nike Catalog, pp. 28, 30, 32, published Jun. 1988.

Footwear News, Feb. 8, 1989, pp. 14, 15, and backcover.

Primary Examiner—Louis S. Zarfaz
Attorney, Agent, or Firm—Banner, Birch, McKie & Beckett

[57] CLAIM

The ornamental design for a cup shaped sole, as shown and described.

DESCRIPTION

FIG. 1 is a bottom plan view of a cup shaped sole showing my new design;
FIG. 2 is a side elevational view of one side of the cup shaped sole shown in FIG. 1;
FIG. 3 is a side elevational view of the other side of the cup shaped sole shown in FIG. 1;
FIG. 4 is a front elevational view of the cup shaped sole shown in FIG. 1; and
FIG. 5 is a rear elevational view of the cup shaped sole shown in FIG. 1;
FIG. 6 is a sectional view of the heel portion of the shoe sole bottom taken generally along line 6—6 of FIG. 1;
FIG. 7 is a sectional view of the mid-portion of the shoe sole bottom taken generally along line 7—7 of FIG. 1;
FIG. 8 is a sectional view of the toe portion of the shoe sole bottom taken generally along line 8—8 of FIG. 1;
FIG. 9 is a side elevational view of another embodiment of a side of a cup sole in accordance with my new design; and
FIG. 10 is a side elevational view of the other side of the cup sole shown in FIG. 9.
The top surface of the cup shaped sole is substantially plain. The remaining views of the other embodiment shown in FIGS. 9 and 10 are the same as in the first embodiment.
The broken line showing of a shoe upper in FIGS. 2, 3, 9 and 10 is for illustrative purposes only and forms no part of the claimed design.

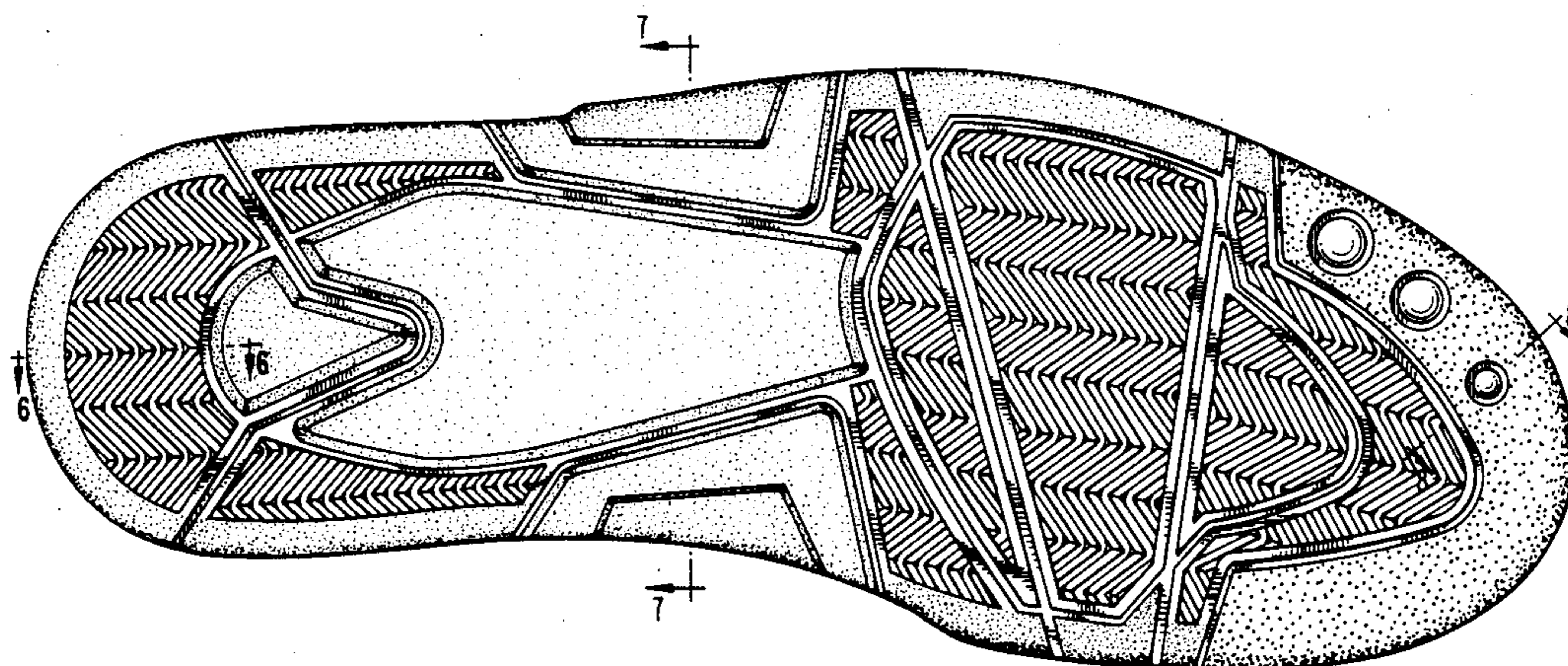


FIG. 1

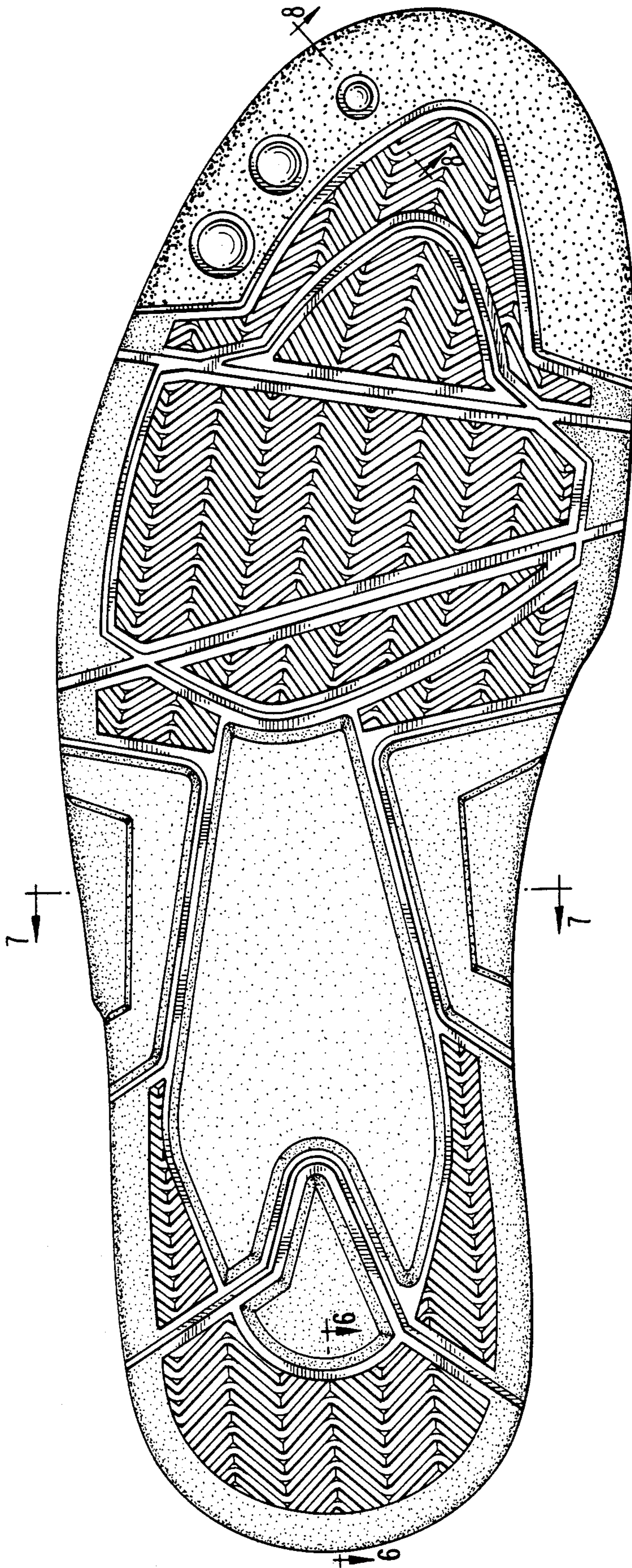


FIG. 6



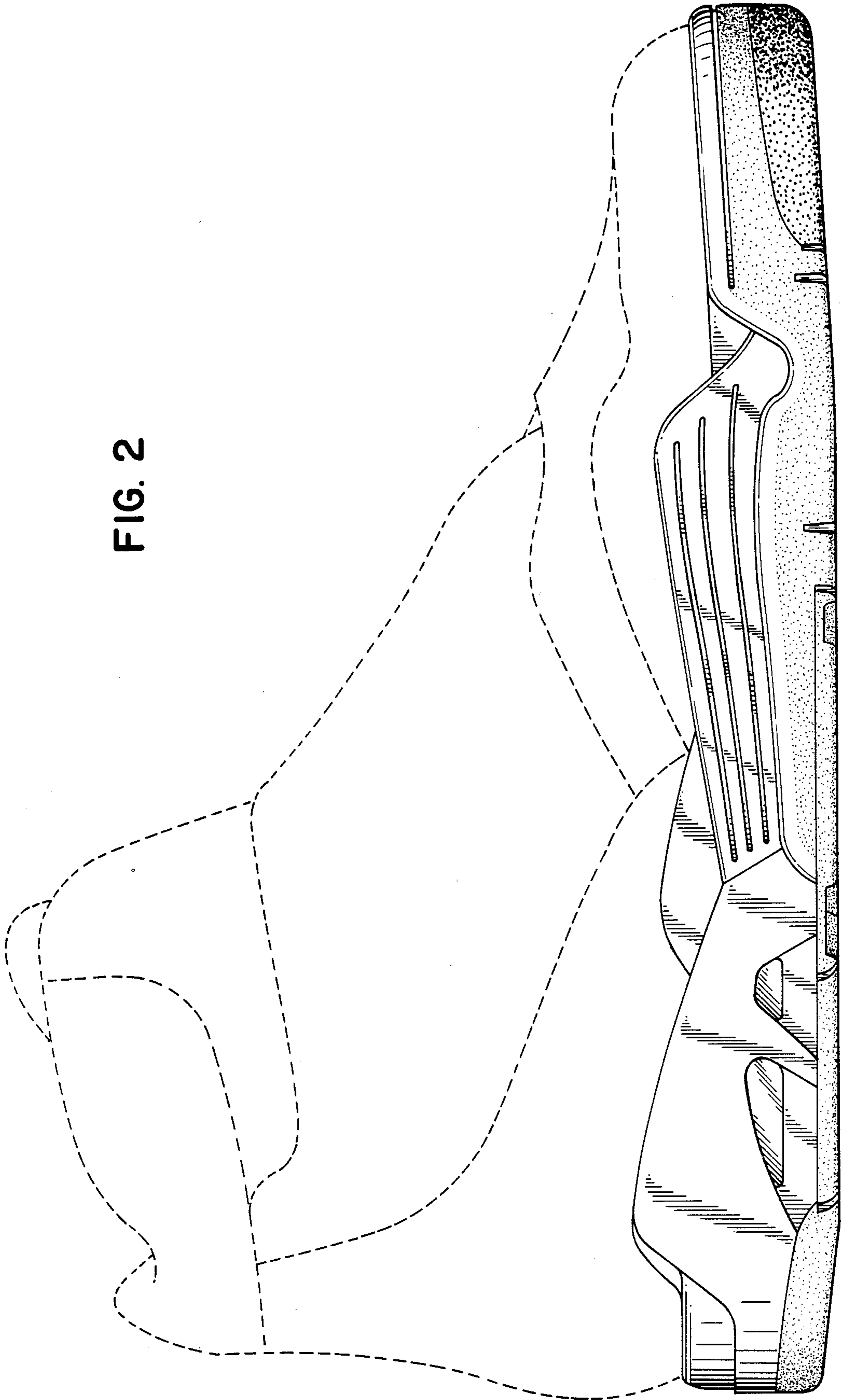
FIG. 7



FIG. 8



FIG. 2



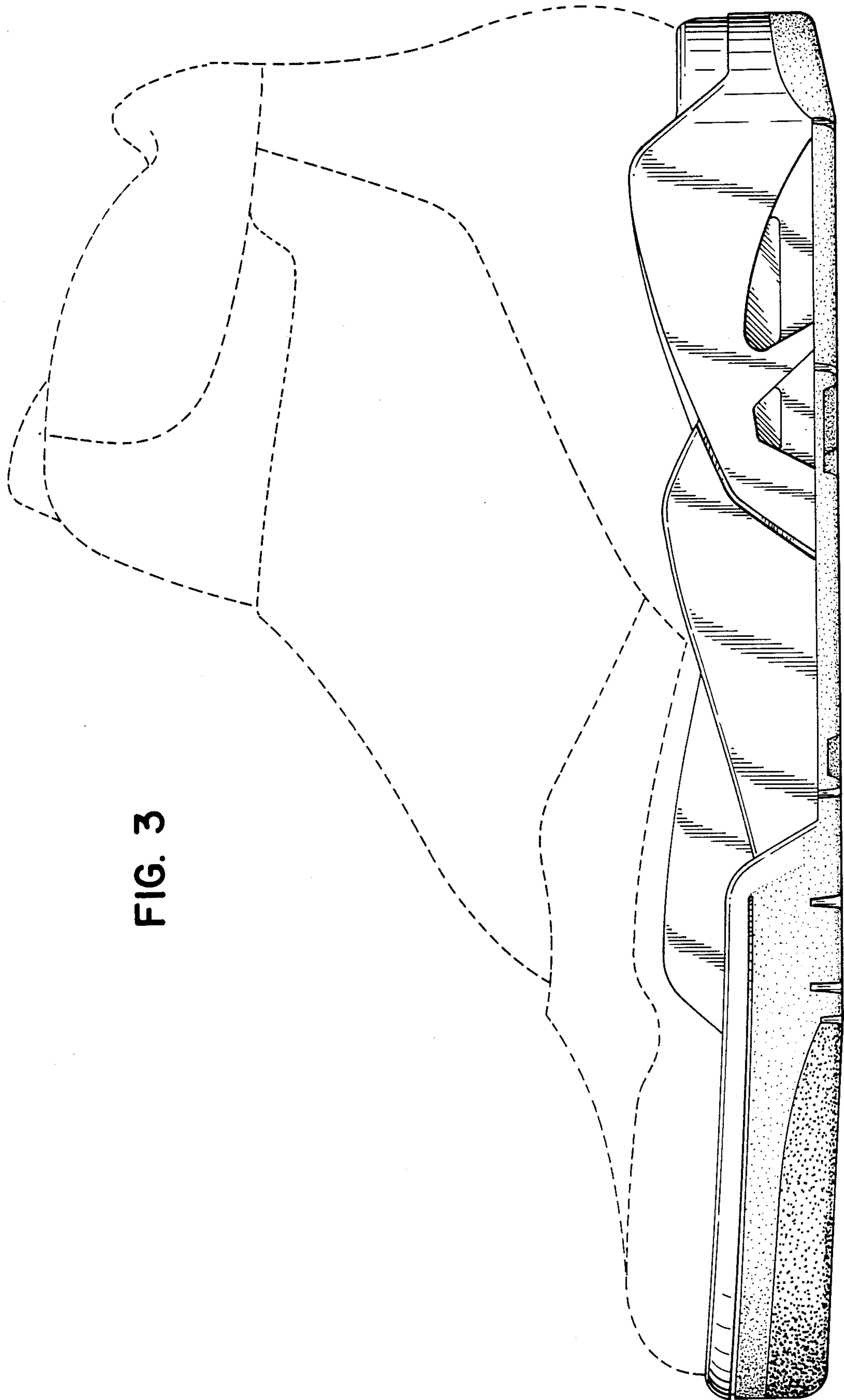


FIG. 3

FIG. 4

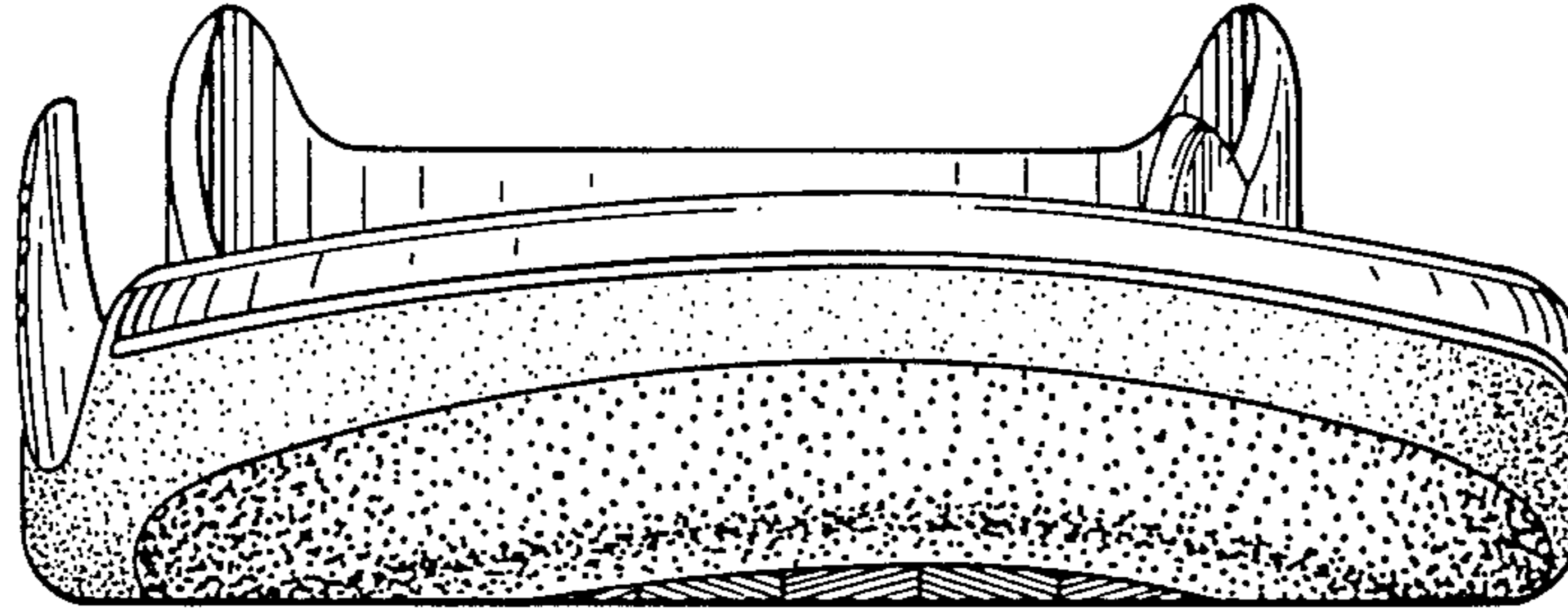


FIG. 5

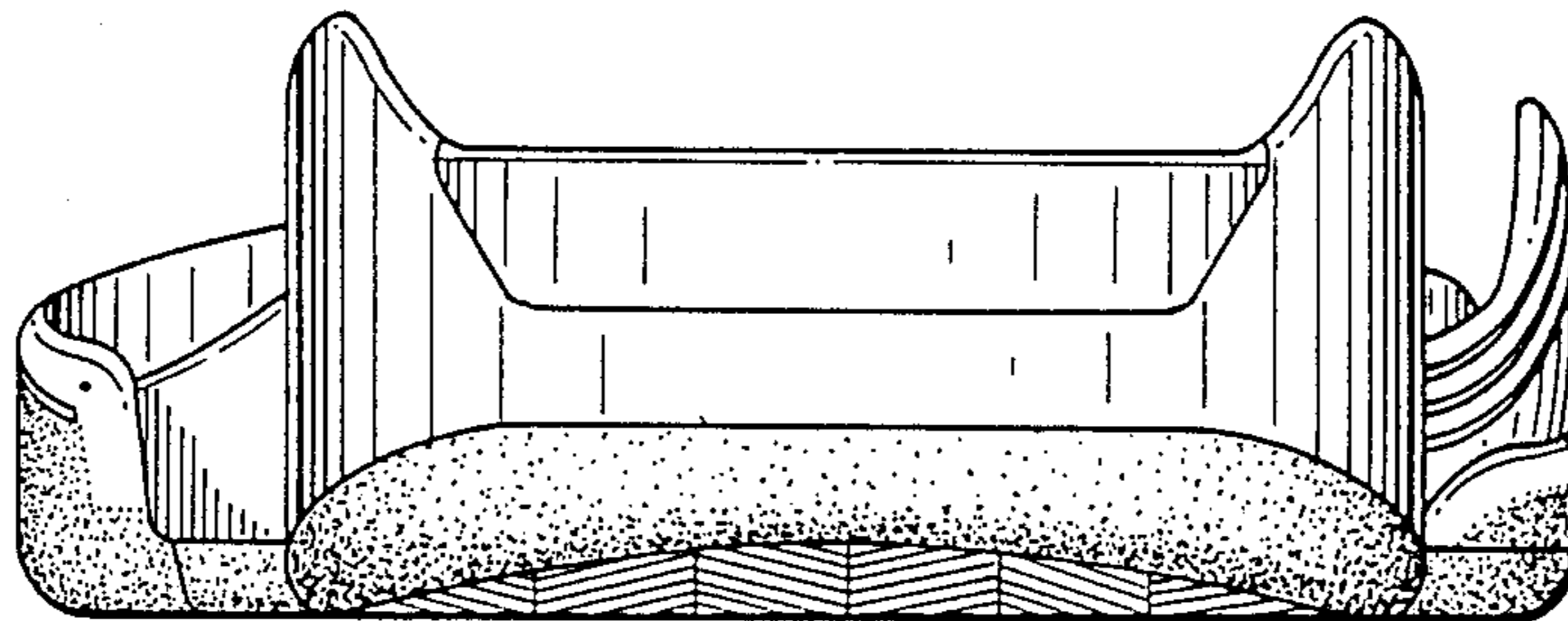
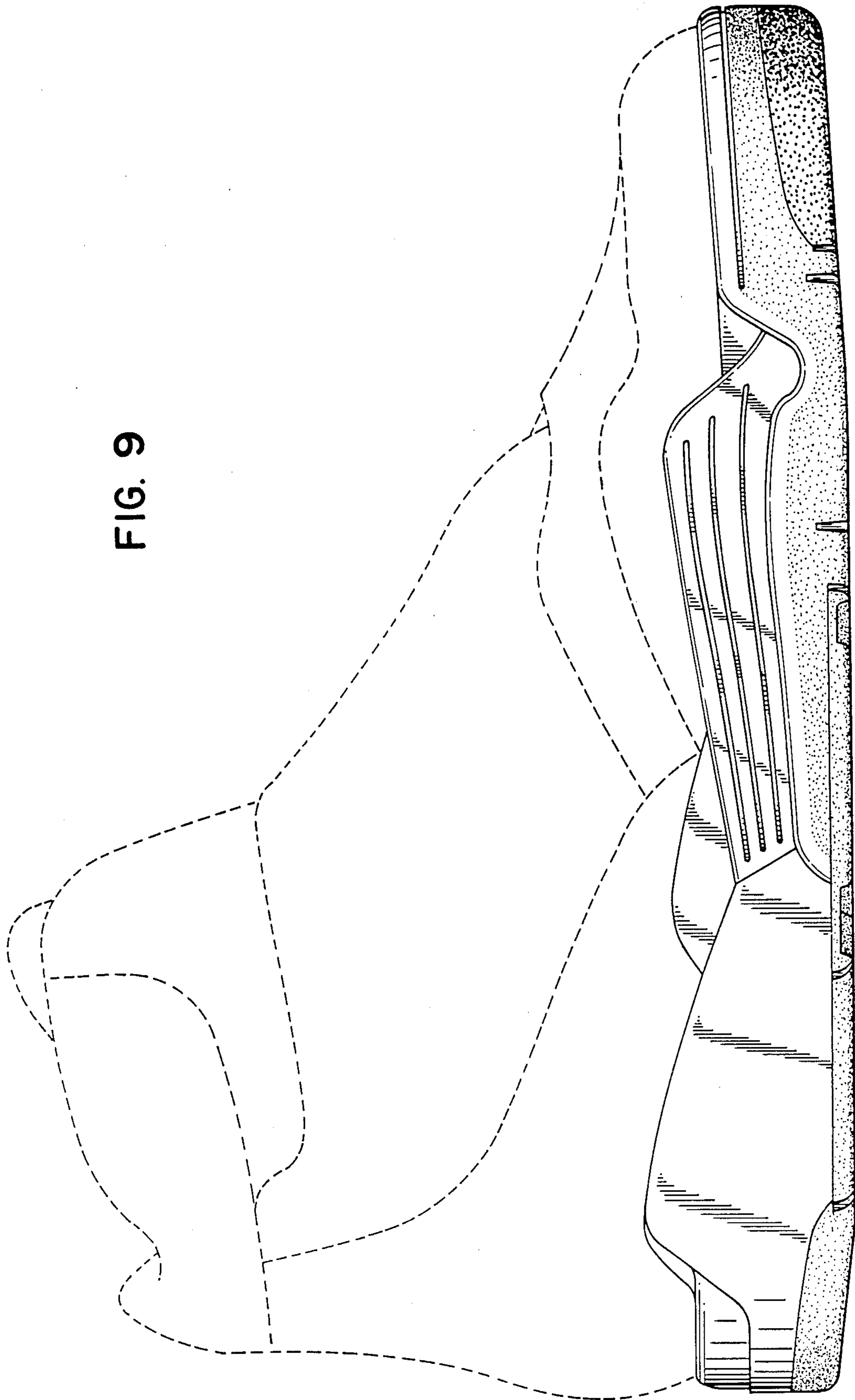


FIG. 9



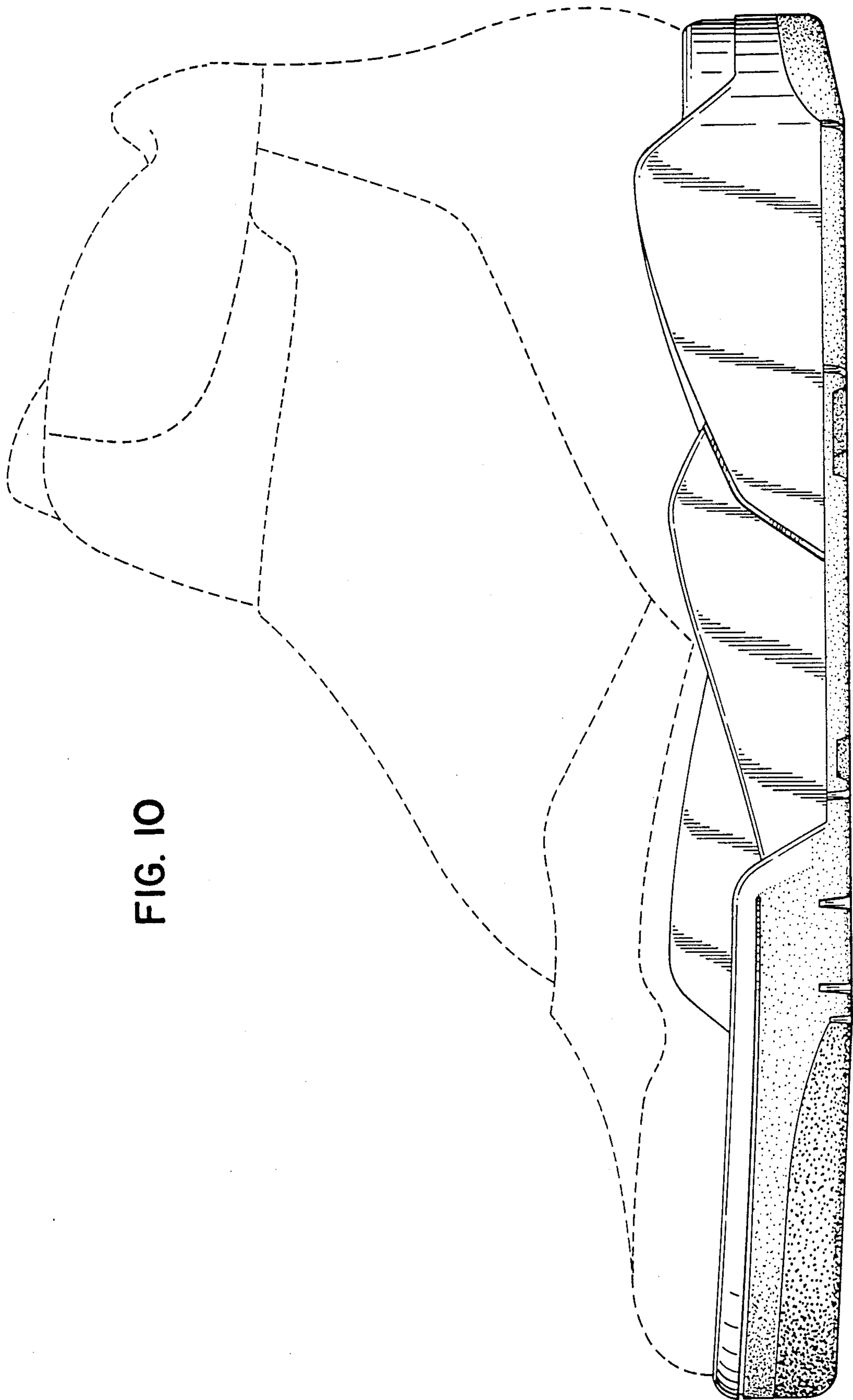


FIG. 10