

[54] **SOLE PLATE FOR A SHOE**
 [75] **Inventor: Lawrence P. Eisenbach, Beaverton, Oreg.**
 [73] **Assignees: Nike, Inc.; Nike International Ltd., both of Beaverton, Oreg.**
 [**] **Term: 14 Years**
 [21] **Appl. No.: 470,547**
 [22] **Filed: Jan. 26, 1990**
 [52] **U.S. Cl. D2/317; D2/320**
 [58] **Field of Search D2/264, 265, 274, 308-314, D2/317-322; 36/25 R, 32 R, 59 R, 59 A, 59 C, 102-106, 112-116, 126, 132, 136, 134**

4,590,693 5/1986 Kawashima et al. 36/126
 4,667,425 5/1987 Effler et al. 36/126

OTHER PUBLICATIONS

Nike Catalog, Spring 1980 (page unknown).
 Nike Catalog, Spring 1983, p. 20.
 Nike Fall 1987 Footwear Catalog, printed Jan. 1987, p. 76.

Primary Examiner—Louis S. Zarfaz
Attorney, Agent, or Firm—Banner, Birch, McKie & Beckett

[57] **CLAIM**

The ornamental design for a sole plate for a shoe, as shown and described.

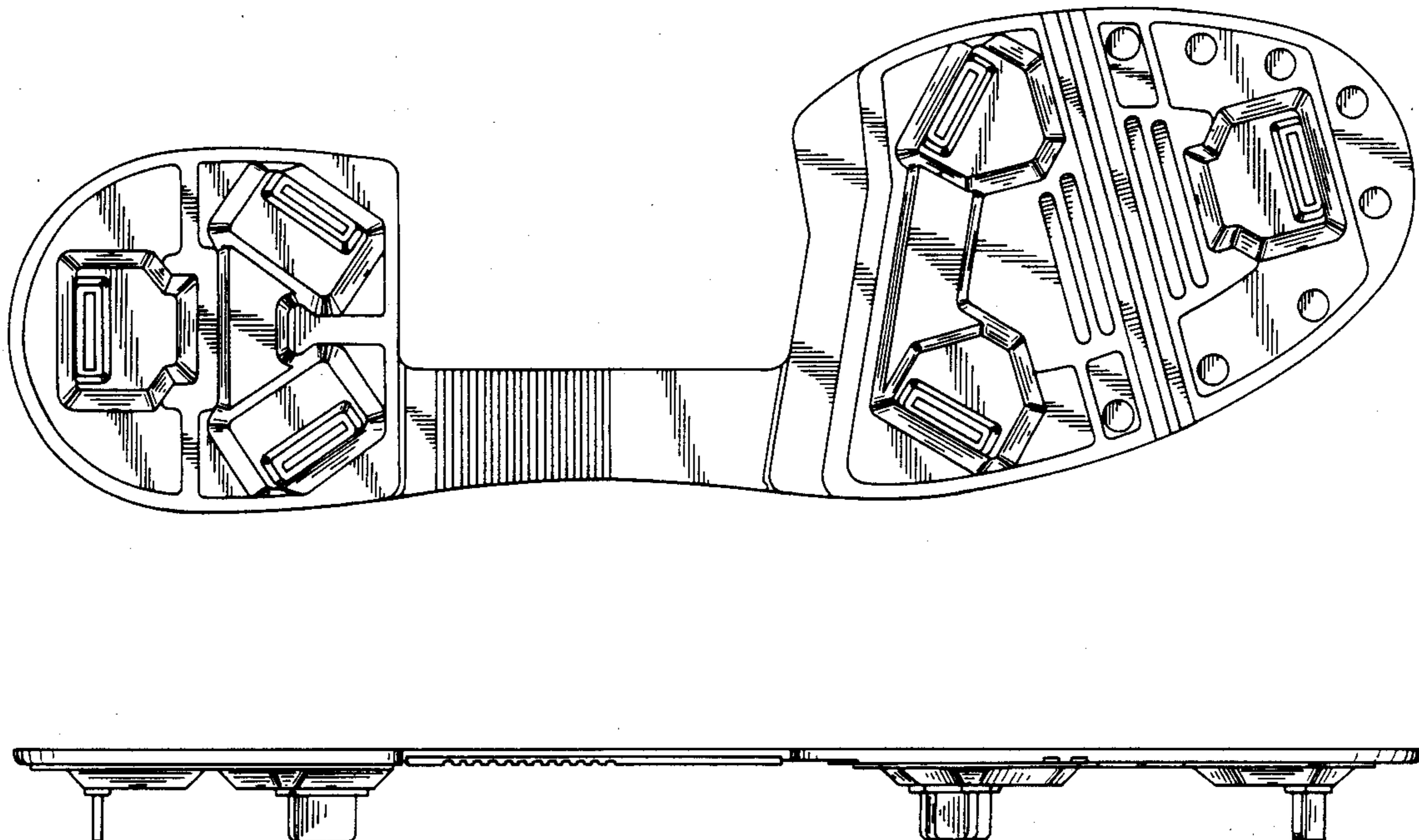
DESCRIPTION

FIG. 1 is a bottom plan view of a sole plate for a shoe showing my new design;
 FIG. 2 is a side elevational view of one side of the sole plate shown in FIG. 1;
 FIG. 3 is a side elevational view of the other side of the sole plate shown in FIG. 1;
 FIG. 4 is a front elevational view of the sole plate shown in FIG. 1; and
 FIG. 5 is a rear elevational view of the sole plate shown in FIG. 1.
 The top surface of the sole plate is substantially plain.

[56] **References Cited**

U.S. PATENT DOCUMENTS

D. 163,674	6/1951	Bovay	D2/320
D. 163,744	6/1951	Capen	D2/320
D. 208,393	8/1967	Onitsuka	D2/311
D. 271,159	11/1983	Muller-Feigelstock	D2/317
D. 272,771	2/1984	Muller-Feigelstock	D2/311
D. 272,772	2/1984	Kohno	D2/320
D. 290,903	7/1987	Inohara et al.	D2/320
1,867,219	7/1932	Harper	36/126
2,688,756	6/1959	Parsons .	
3,822,488	7/1974	Johnson .	



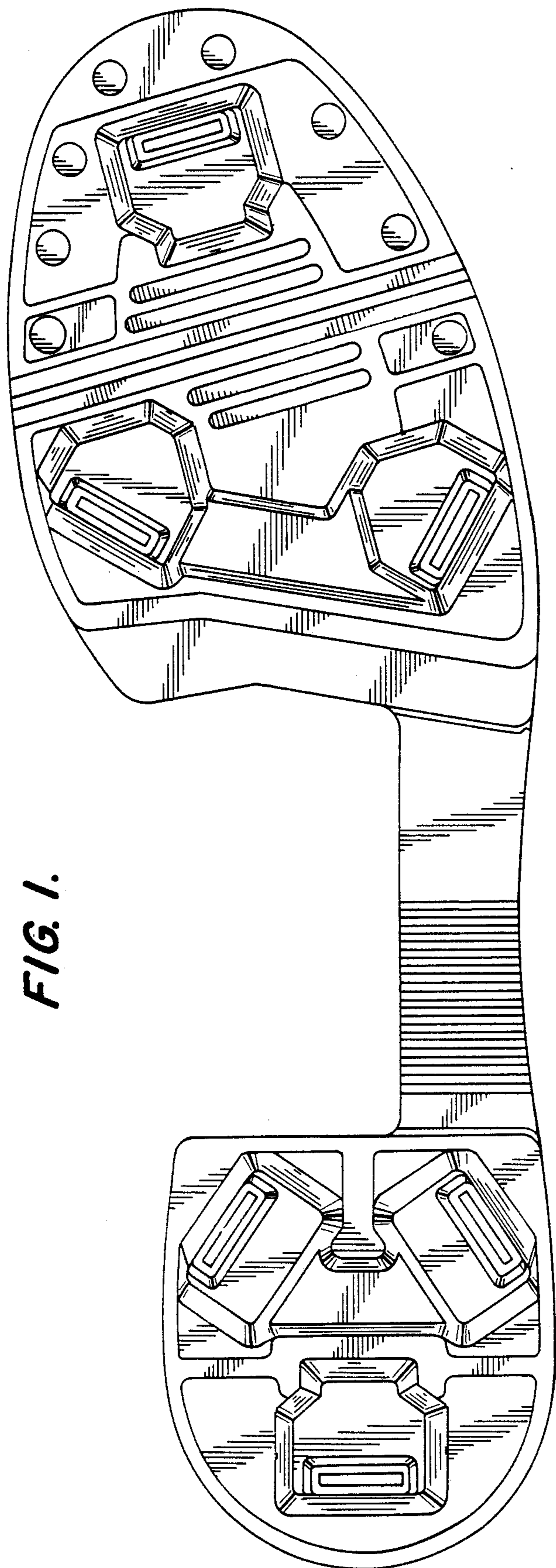


FIG. 1.

FIG. 2.

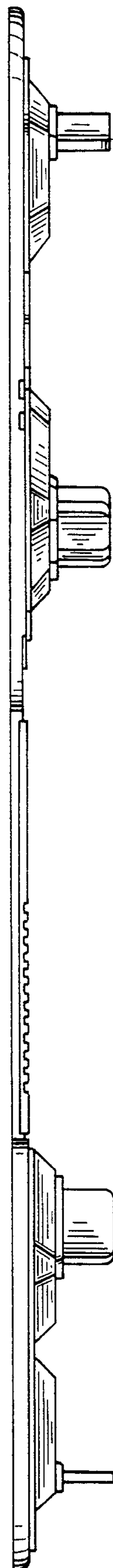


FIG. 3.

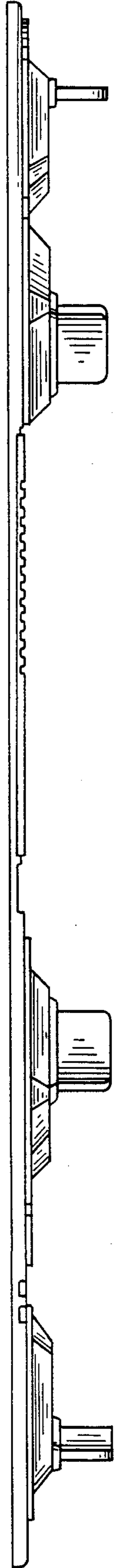


FIG. 4.

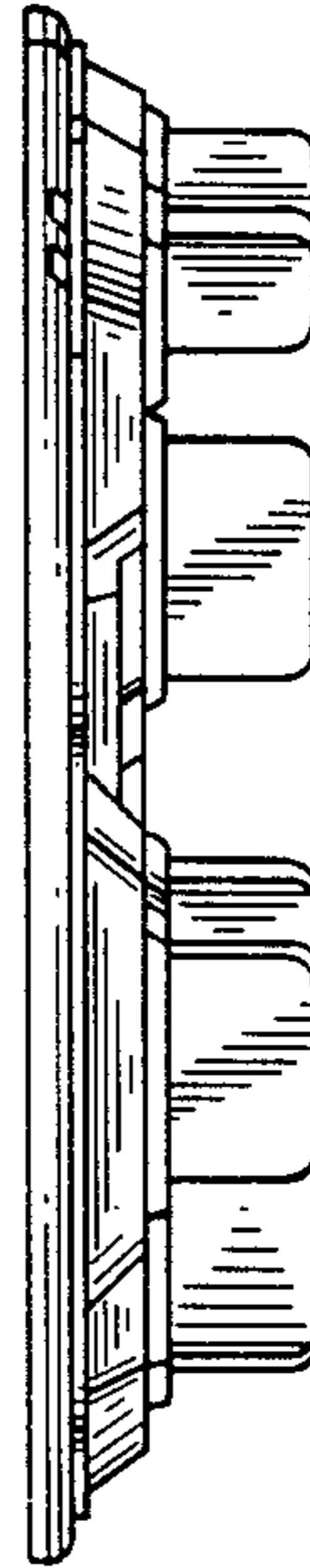


FIG. 5.

