

[54] BREAST PUMP

[75] Inventor: Yusuke Kawano, Tokyo, Japan

[73] Assignee: Pigeon Co., Ltd., Tokyo, Japan

[\*\*] Term: 14 Years

[21] Appl. No.: 152,418

[22] Filed: Feb. 4, 1988

[30] Foreign Application Priority Data

Aug. 5, 1987 [JP] Japan ..... 62-31614

[52] U.S. Cl. .... D24/51

[58] Field of Search ..... D24/51, 56, 47; 604/74, 604/75, 76, 73

[56] References Cited

U.S. PATENT DOCUMENTS

D. 295,896 5/1988 Van Meter et al. .... D24/51

D. 299,537 1/1989 Morifuji ..... D24/51  
4,673,388 6/1987 Schlensog et al. .... 604/74  
4,740,196 4/1988 Powell ..... D24/51  
4,759,747 7/1988 Aida et al. .... 604/74

Primary Examiner—A. Hugo Word  
Assistant Examiner—Stella M. Reid  
Attorney, Agent, or Firm—Wenderoth, Lind & Ponack

[57] CLAIM

The ornamental design for a breast pump, as shown.

DESCRIPTION

FIG. 1 is a perspective view of a breast pump, showing my new design;  
FIG. 2 is a front elevational view thereof;  
FIG. 3 is a right side elevational view thereof;  
FIG. 4 is a rear elevational view thereof;  
FIG. 5 is a left side elevational view thereof;  
FIG. 6 is a top plan view thereof; and  
FIG. 7 is a bottom plan view thereof.

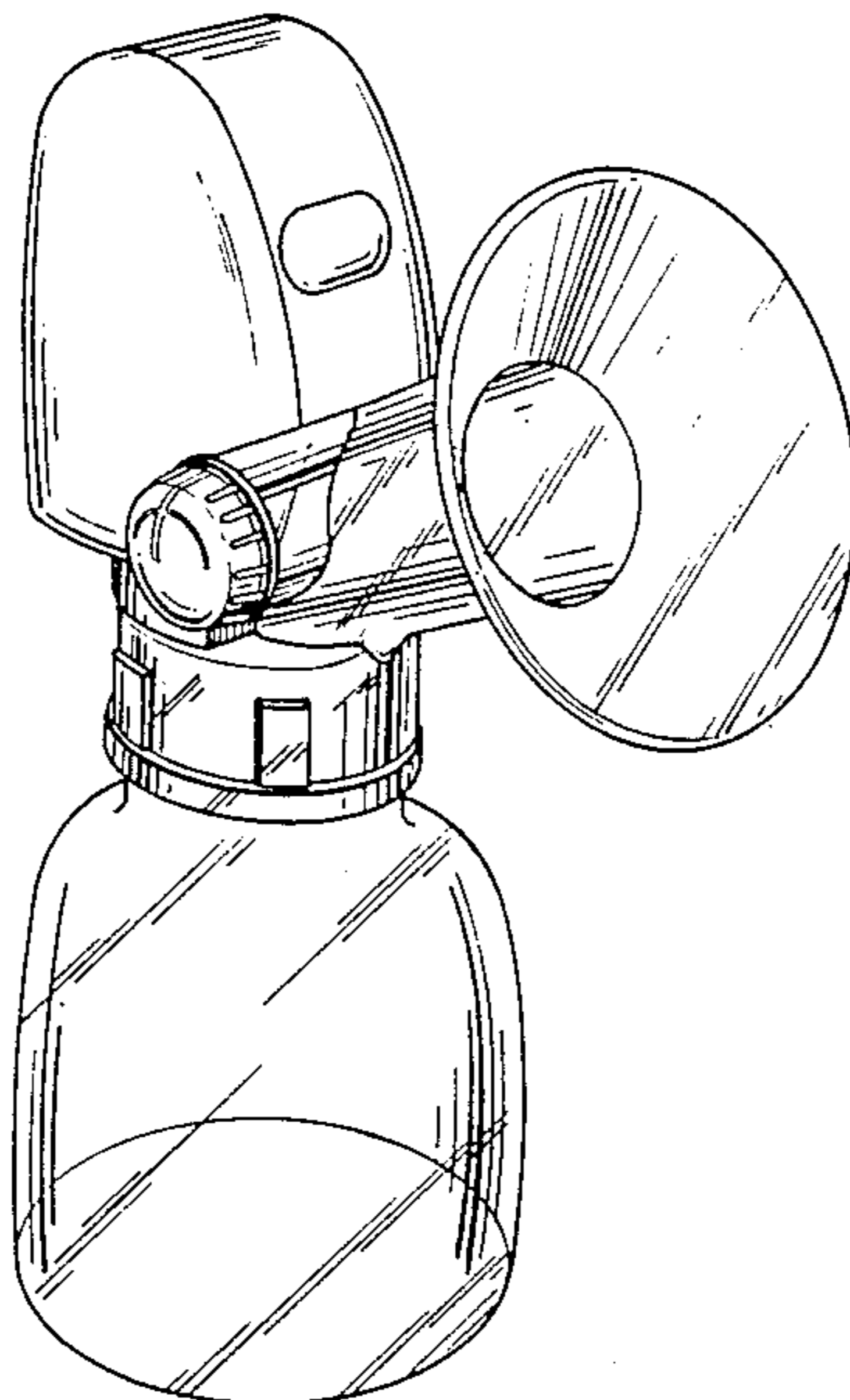


FIG. 1

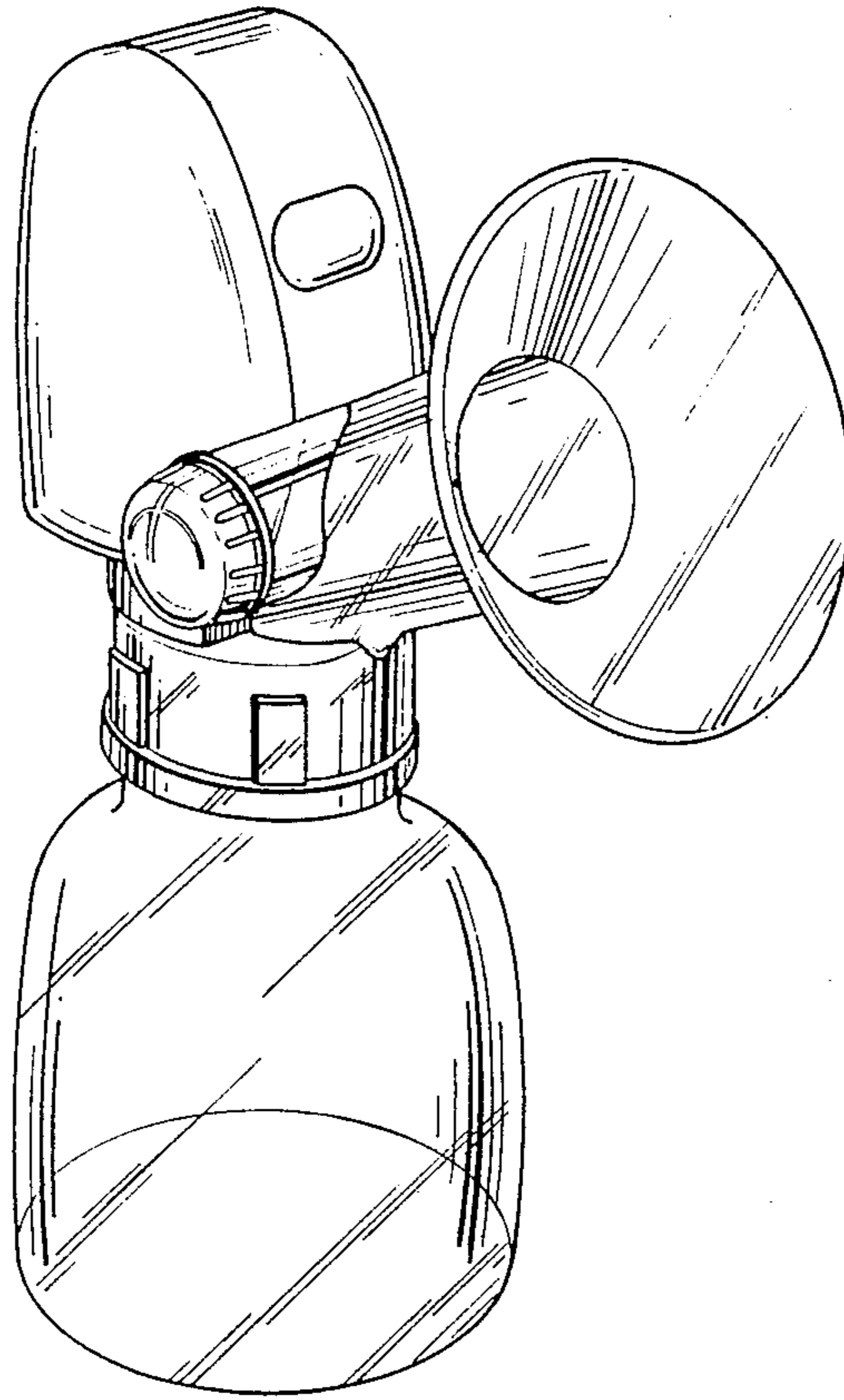


FIG. 3

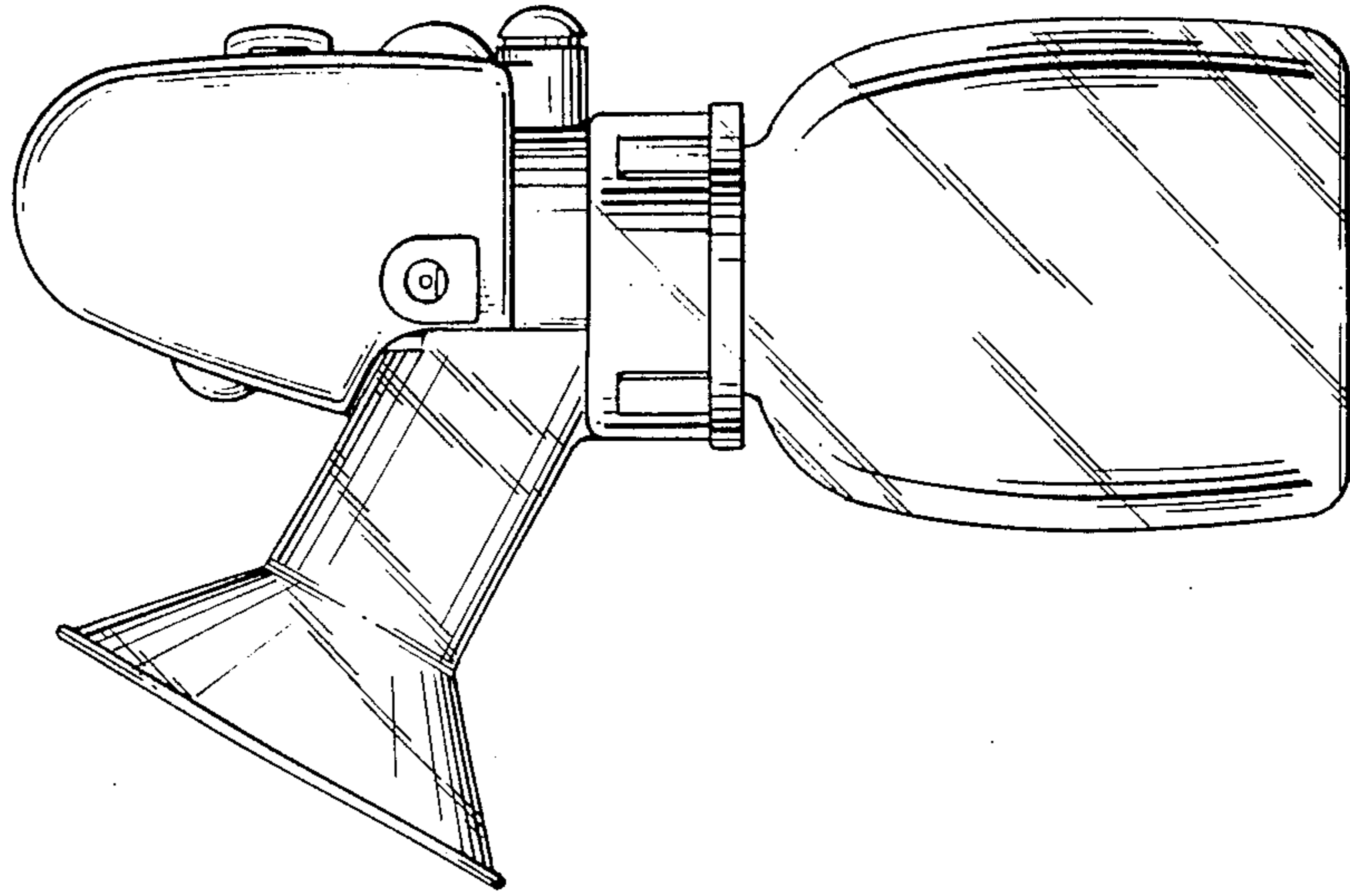


FIG. 2

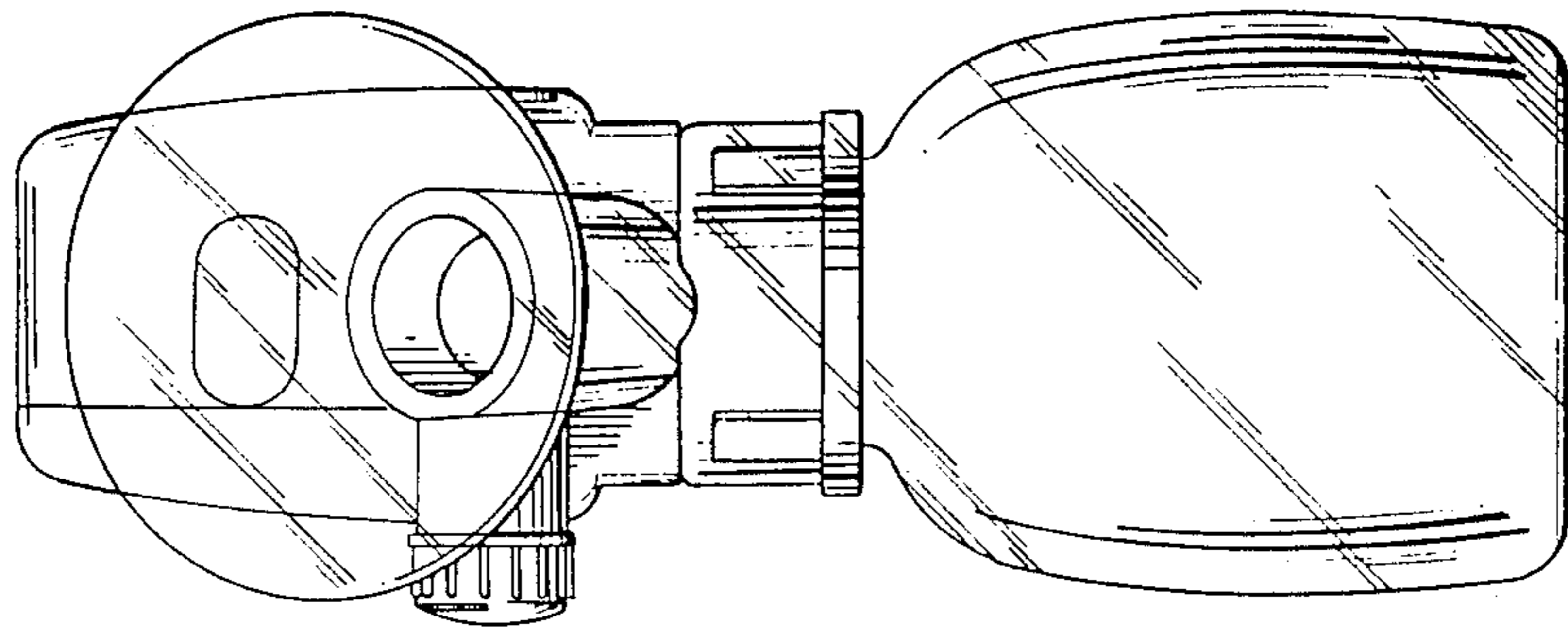


FIG. 5

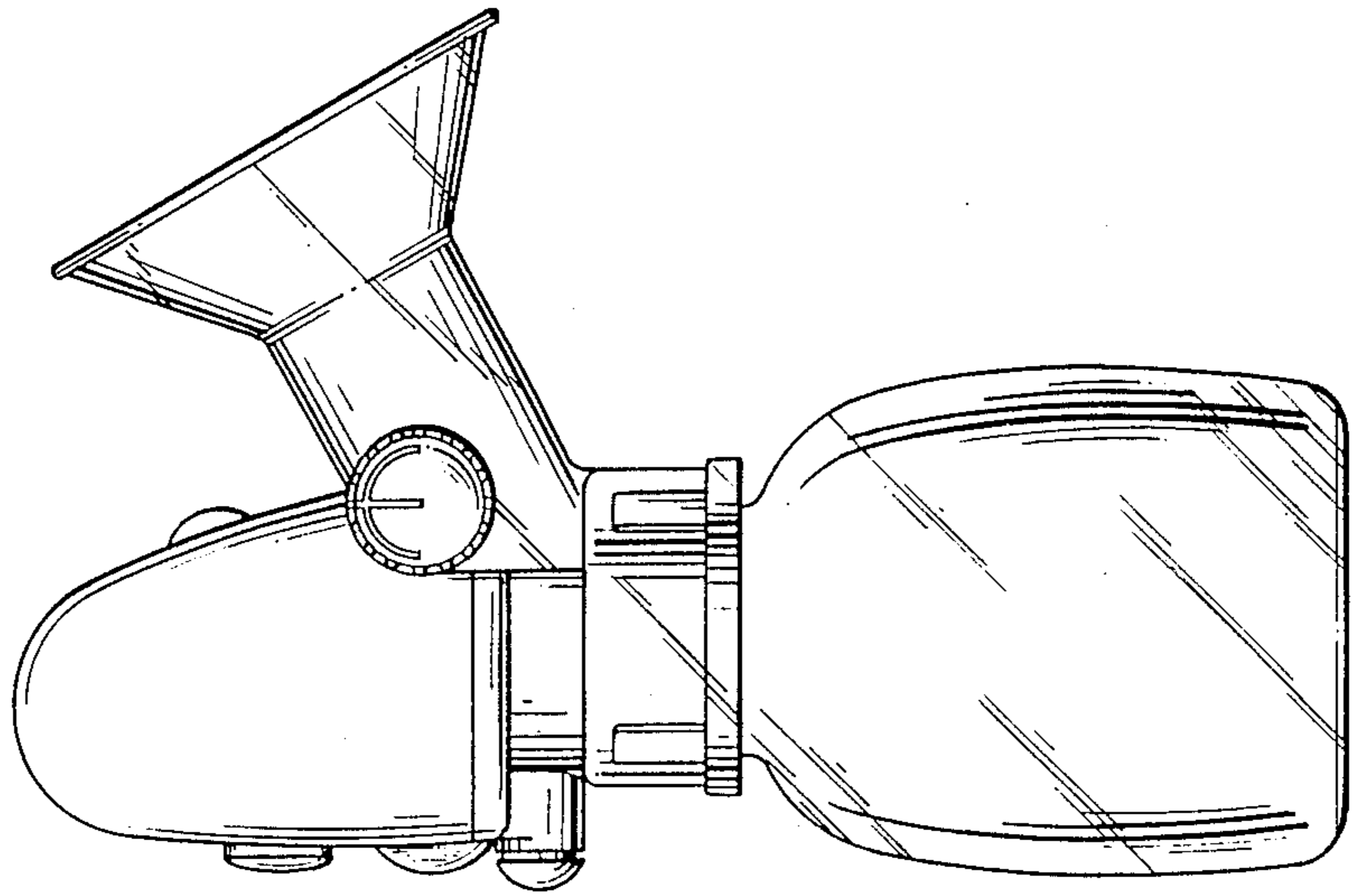


FIG. 4

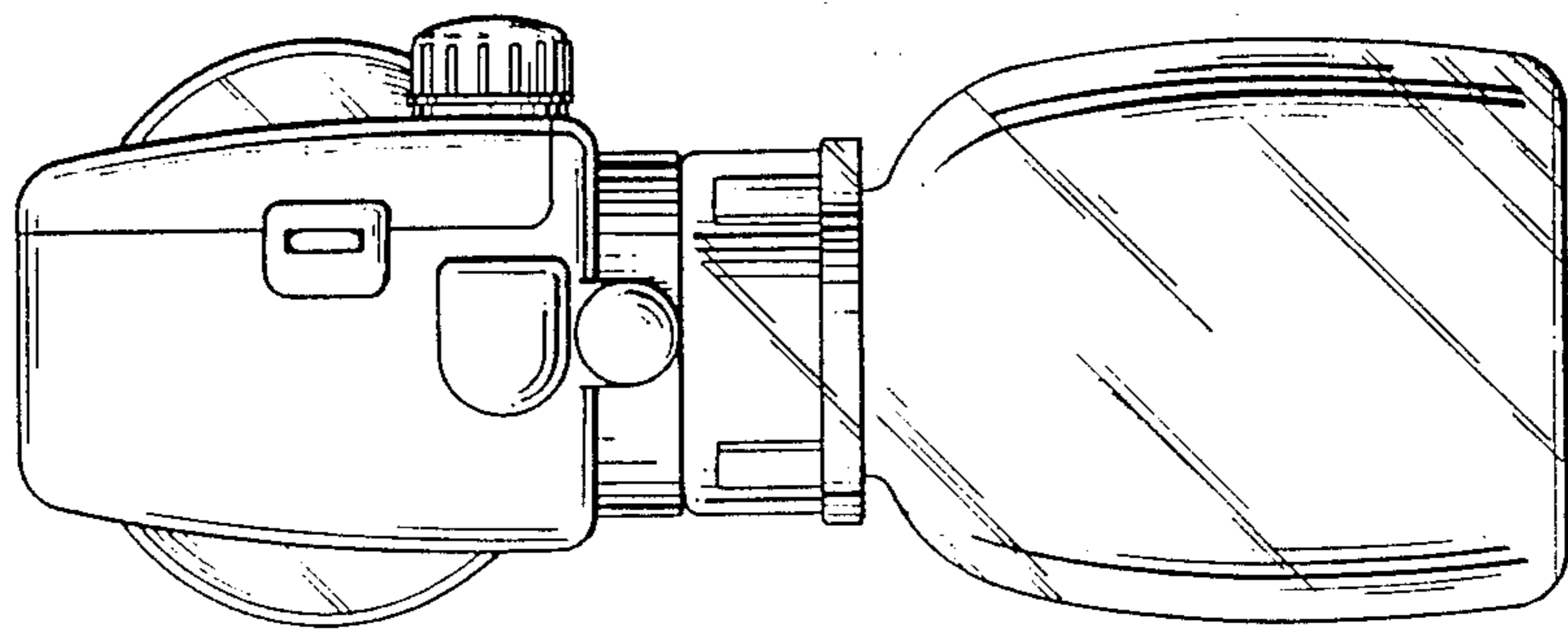


FIG. 7

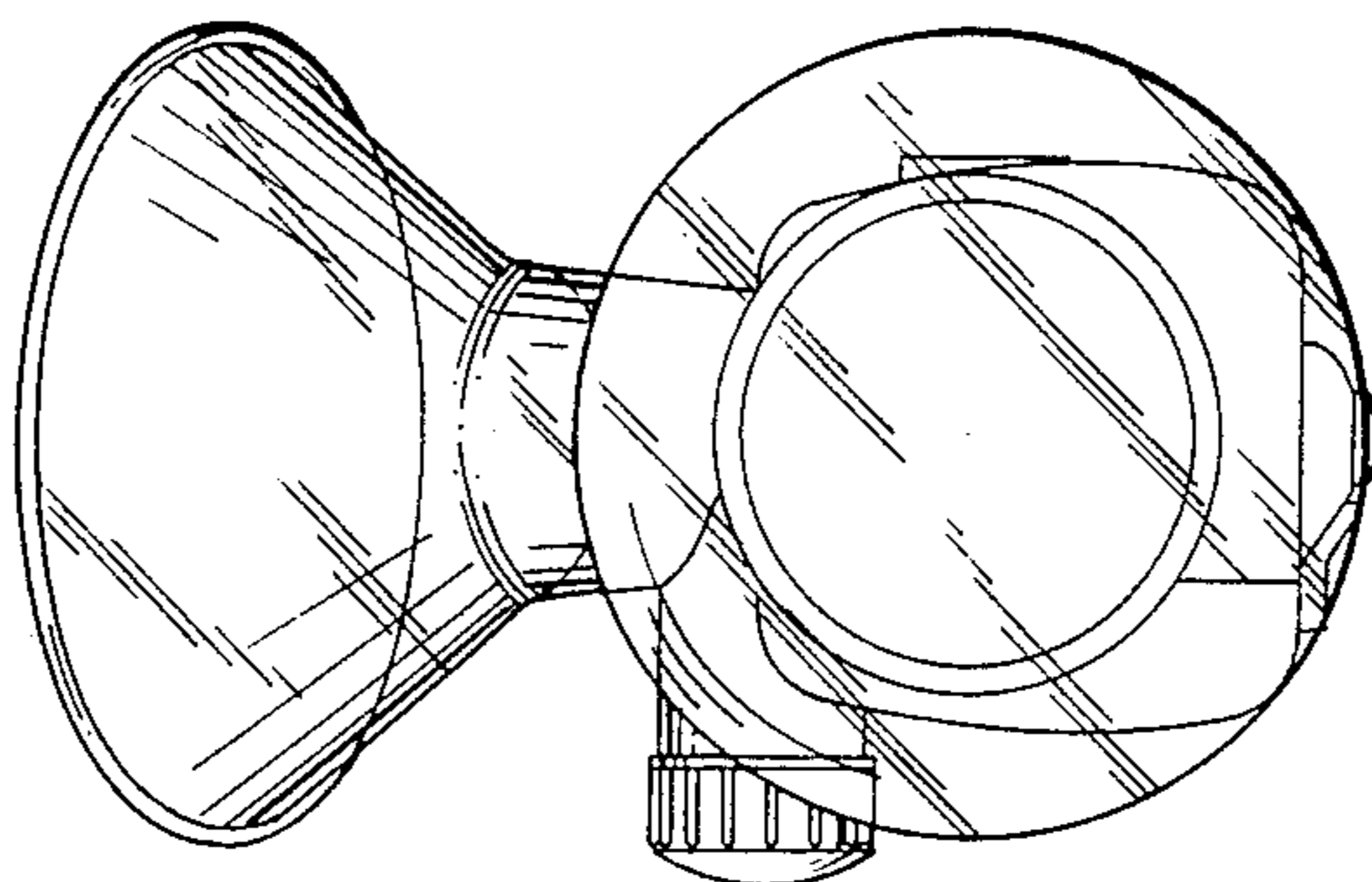


FIG. 6

