

[54] PATTERN FOR A CONVEYOR BELT

[75] Inventors: John A. Bartholomew, Boise; Melvin A. Grindstaff, Meridian, both of Id.

[73] Assignee: Fabreeka Products Company, Boston, Mass.

[**] Term: 14 Years

[21] Appl. No.: 182,577

[22] Filed: Apr. 18, 1988

[52] U.S. Cl. D34/29

[58] Field of Search D34/28, 29; 198/844, 198/846, 847

[56] References Cited

U.S. PATENT DOCUMENTS

1,194,538	8/1916	Parker	198/844
2,514,429	7/1950	Waugh	198/844
4,281,760	8/1981	Müller	198/846
4,311,474	1/1982	Standley	198/847

FOREIGN PATENT DOCUMENTS

227256	11/1958	Australia	198/184
2854583	6/1980	Fed. Rep. of Germany	198/846

Primary Examiner—Kay H. Chin
Attorney, Agent, or Firm—Donald Brown

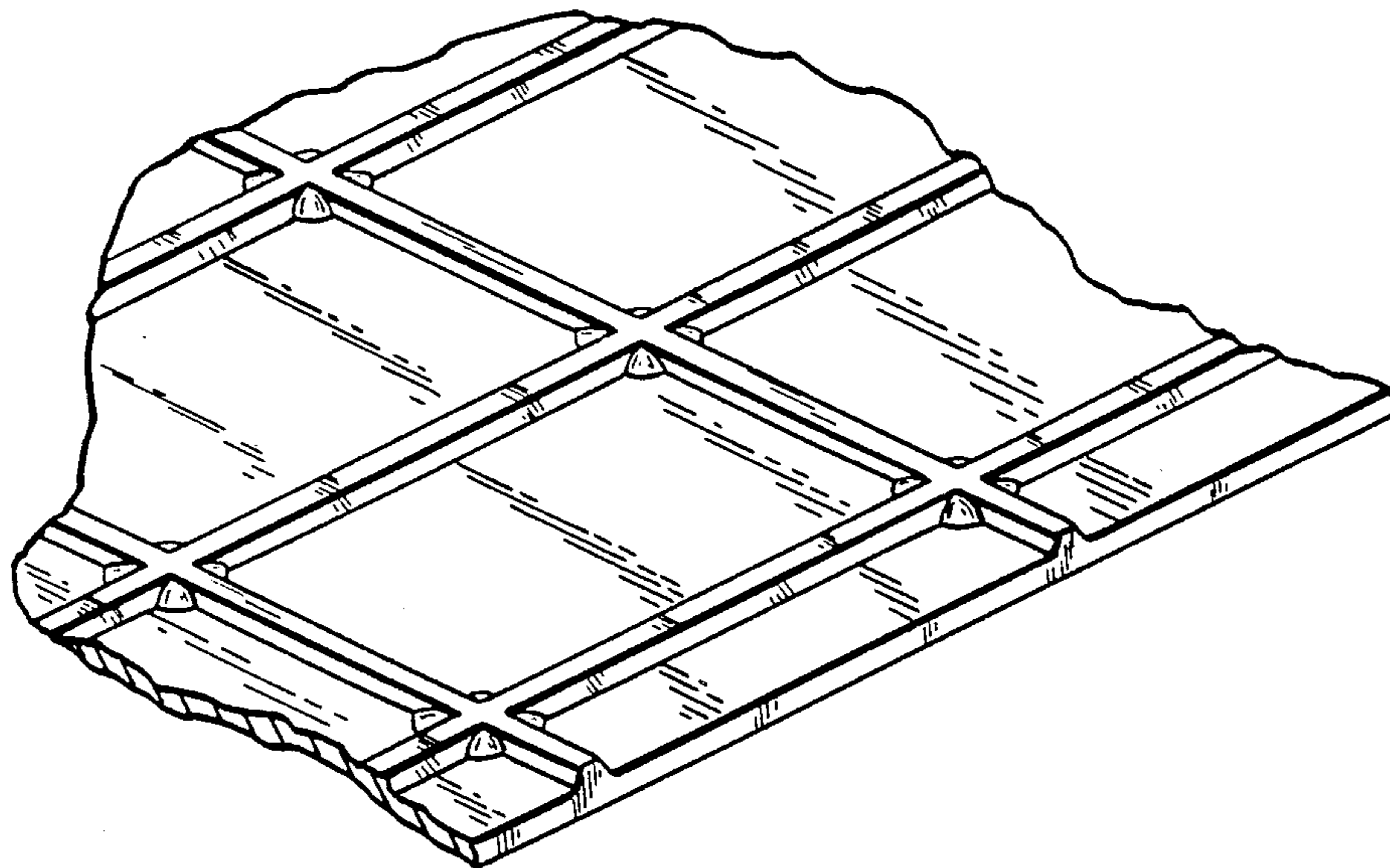
[57] CLAIM

The ornamental design for a pattern for a conveyor belt, as shown and described.

DESCRIPTION

FIG. 1 is a fragmentary perspective view of a pattern for a conveyor belt showing our new design; FIG. 2 is a top plan view thereof; FIG. 3 is a side elevational view thereof taken along the line 3—3 of FIG. 2; and FIG. 4 is a fragmentary, enlarged sectional view thereof taken along the line 4—4 of FIG. 2.

The bottom side of the conveyor belt having the pattern on the top is flat and unornamented. The pattern of the conveyor belt repeats itself across the entire surface of the conveyor belt.



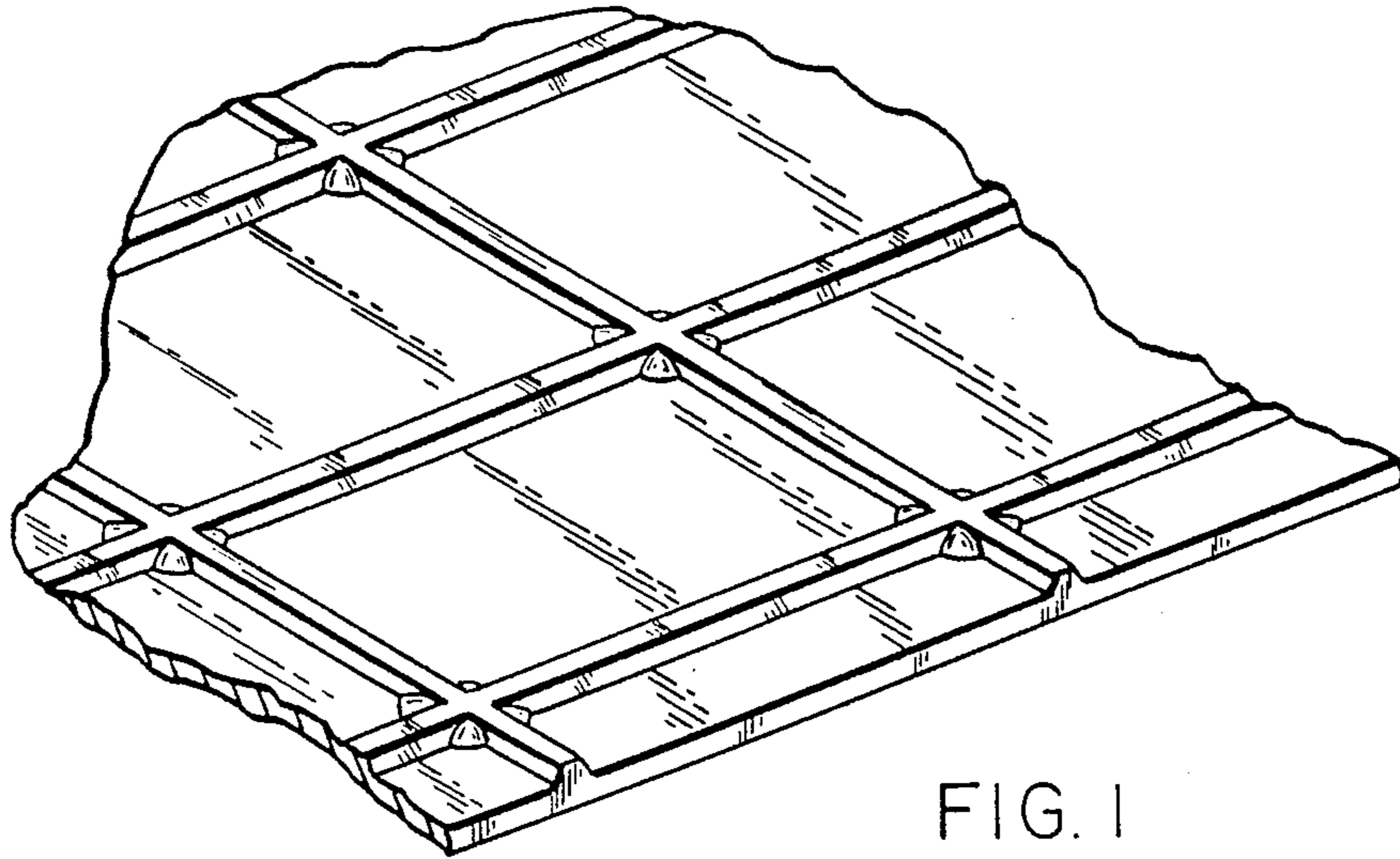


FIG. 1

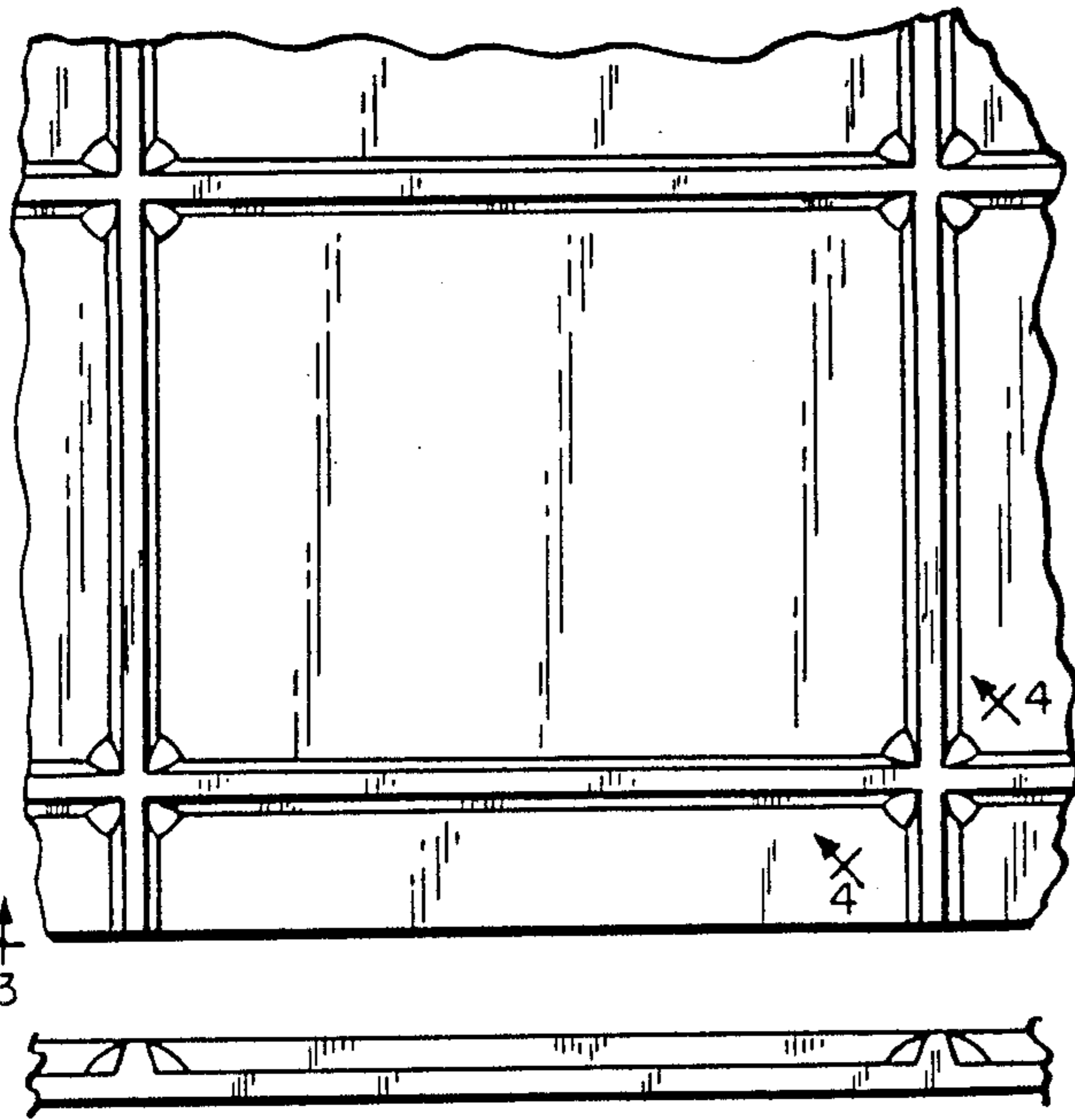


FIG. 2

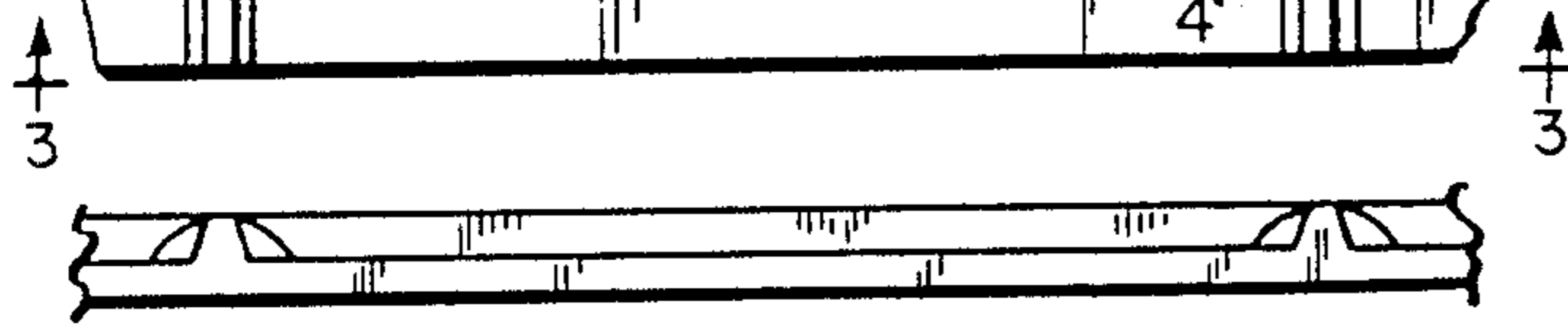


FIG. 3

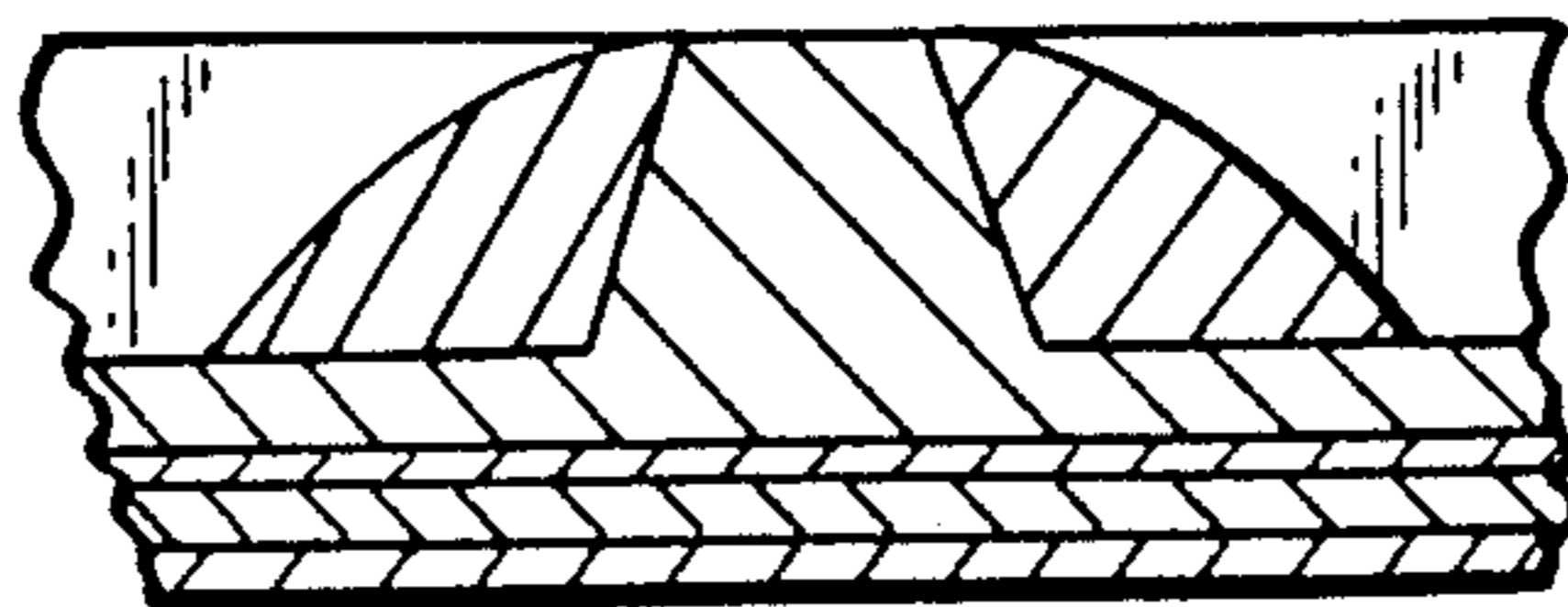


FIG. 4