

[54] VACUUM HOSE HANDLE FOR A CENTRAL VACUUM SYSTEM

[76] Inventor: Theodore R. Hayden, 10291 Springhill Crescent, Richmond, British Columbia V7E 1W7, Canada

[**] Term: 14 Years

[21] Appl. No.: 226,987

[22] Filed: Aug. 1, 1988

[52] U.S. Cl. D32/34

[58] Field of Search D32/25, 31-34; 285/7; D23/262, 263, 266; 15/312 A, 314, 318, 339, 410-411, 415 R, 415 A, 416, 418-422, 143 R, 145, DIG. 10; 439/191

[56] References Cited

U.S. PATENT DOCUMENTS

D. 287,896 1/1987 Gensa et al. D32/32

D. 299,772 2/1989 Smith D32/31
3,314,039 4/1967 Opper 439/191
4,422,702 12/1983 Nordeen 439/191
4,618,195 10/1986 Keane 439/191

Primary Examiner—A. Hugo Word
Assistant Examiner—Ruth McInroy
Attorney, Agent, or Firm—Fetherstonhaugh & Co.

[57] CLAIM

The ornamental design for a vacuum hose handle for a central vacuum system, as shown and described.

DESCRIPTION

FIG. 1 is a perspective view of a vacuum hose handle for a central vacuum system showing my new design; FIG. 2 is a left side elevational view thereof; FIG. 3 is a front elevational view thereof; FIG. 4 is a rear elevational view thereof; FIG. 5 is a right side elevational view thereof; FIG. 6 is a top plan view thereof; and FIG. 7 is a bottom plan view thereof.

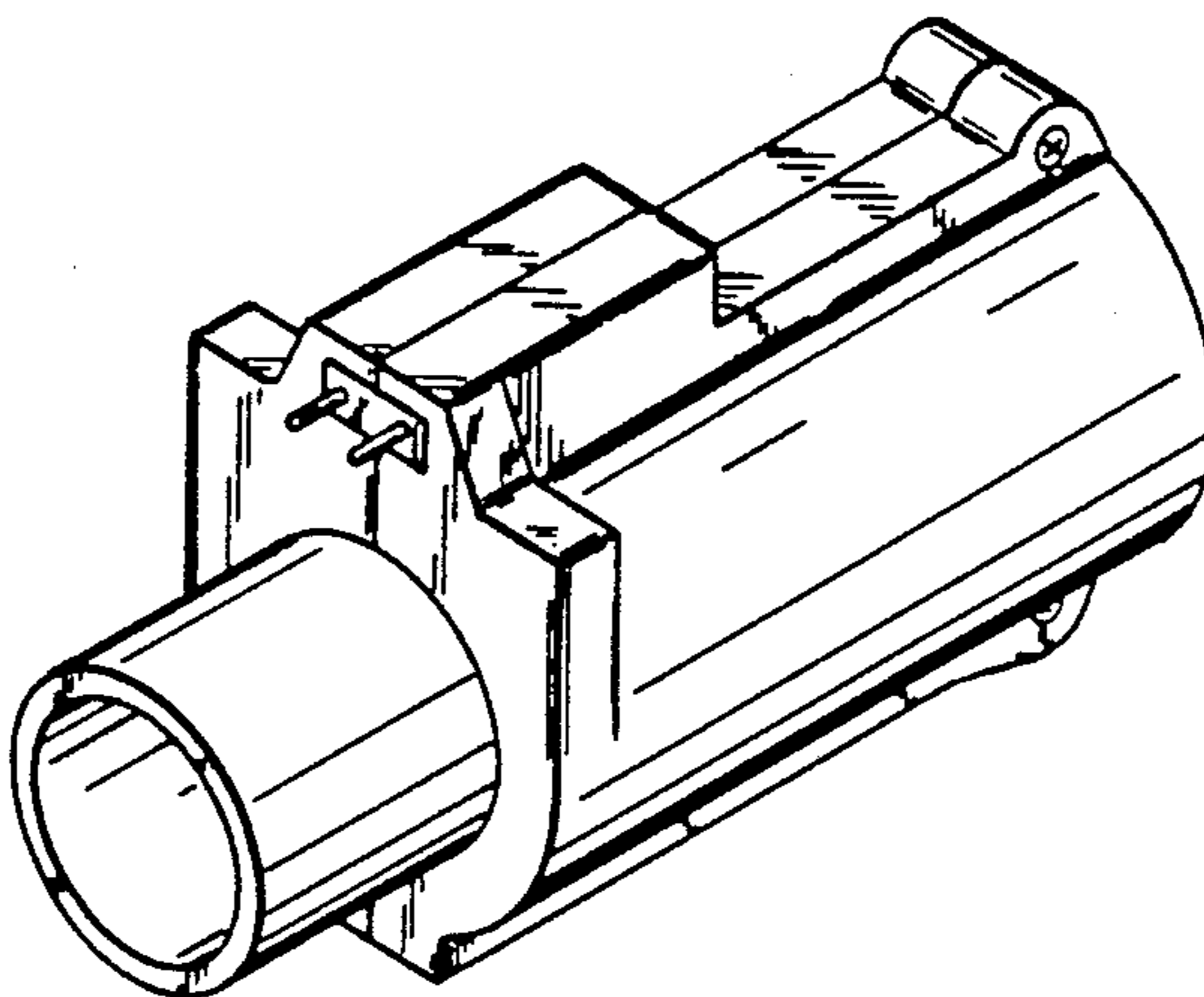


Fig. 1.

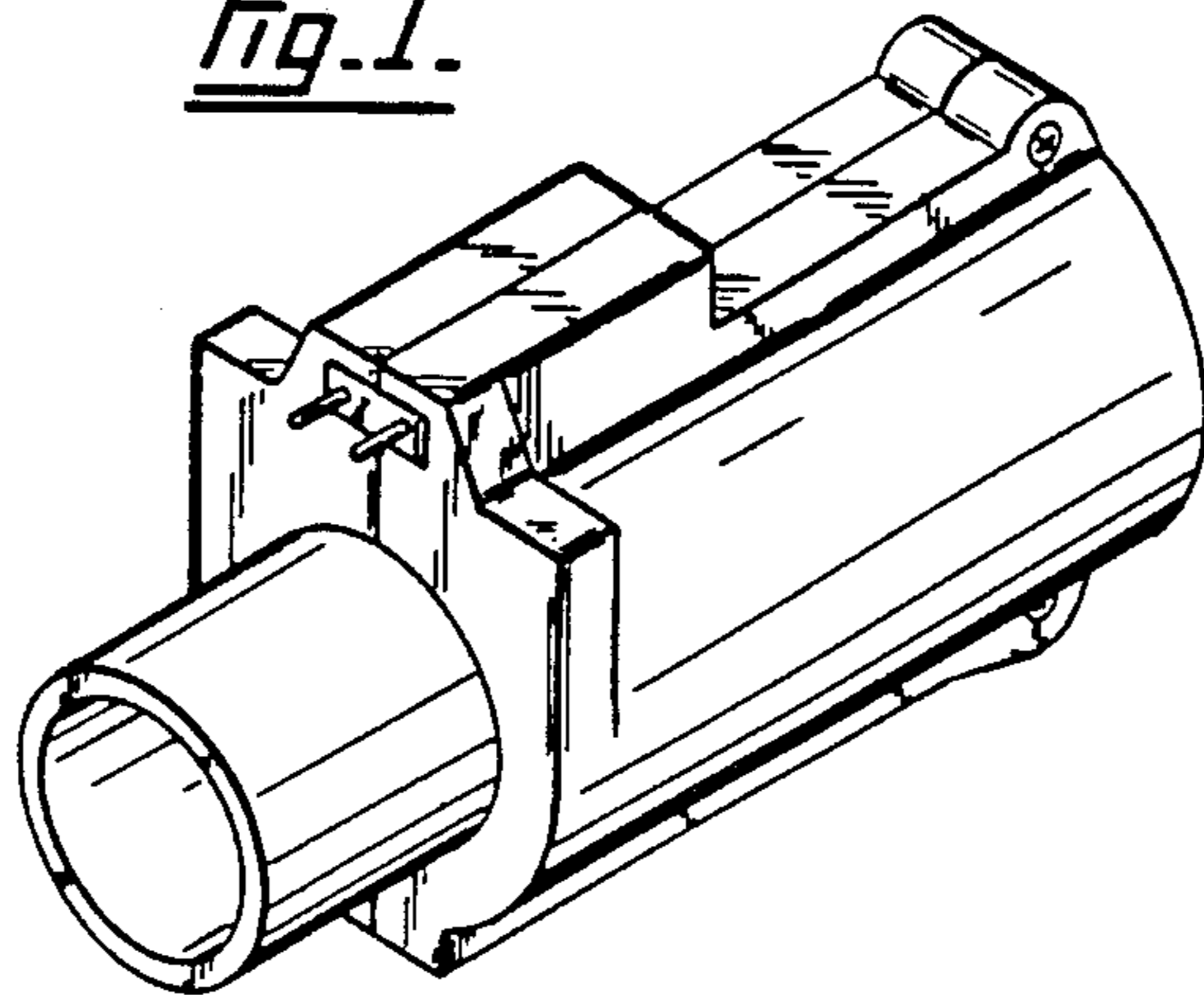


Fig. 3.

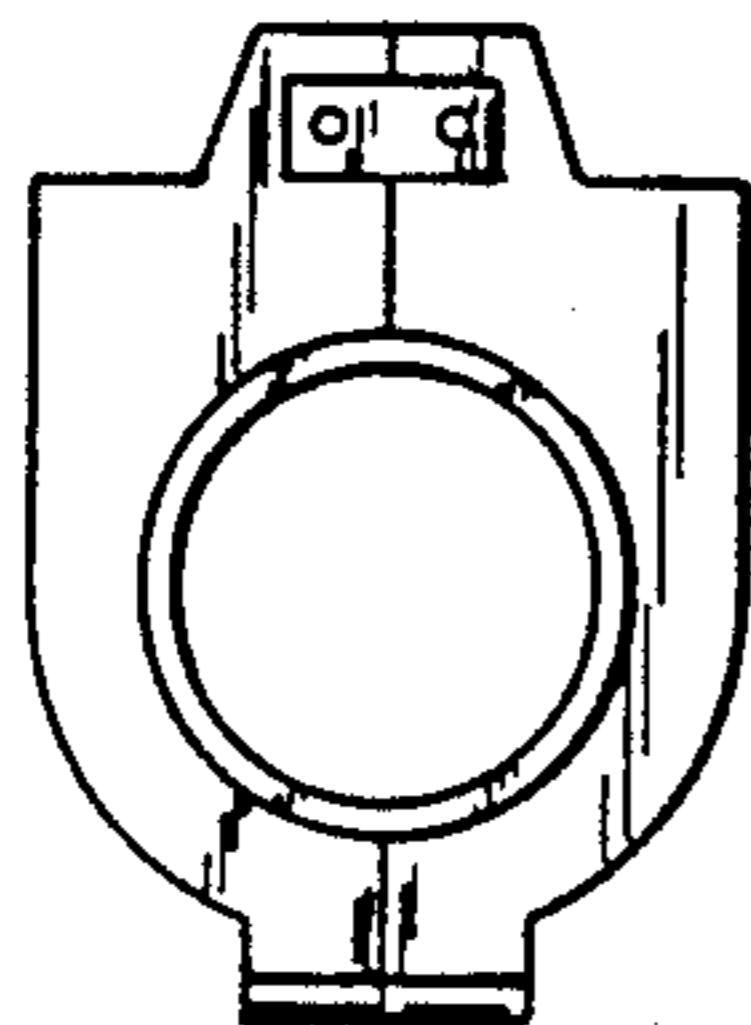


Fig. 2.

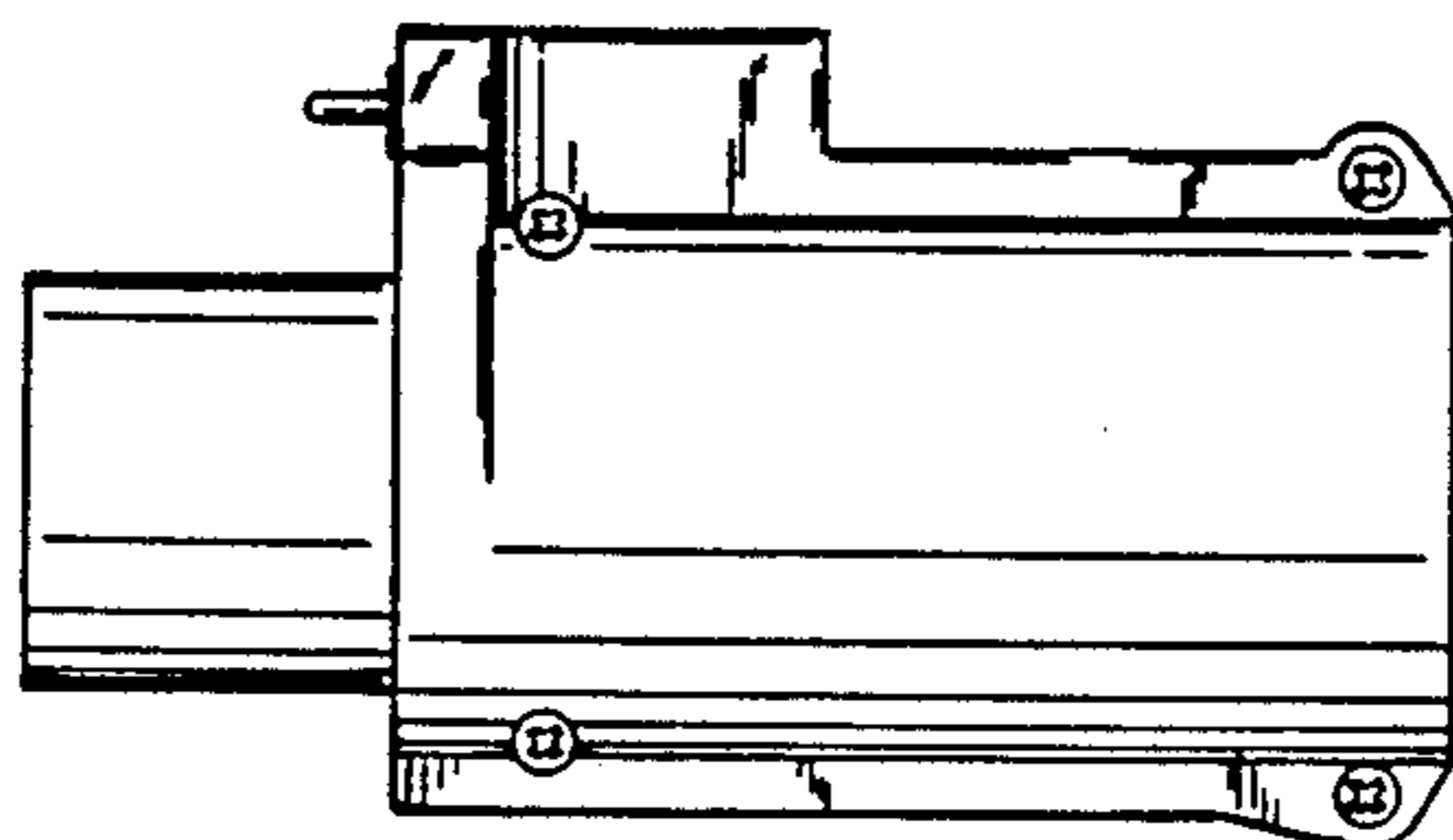


Fig. 4.

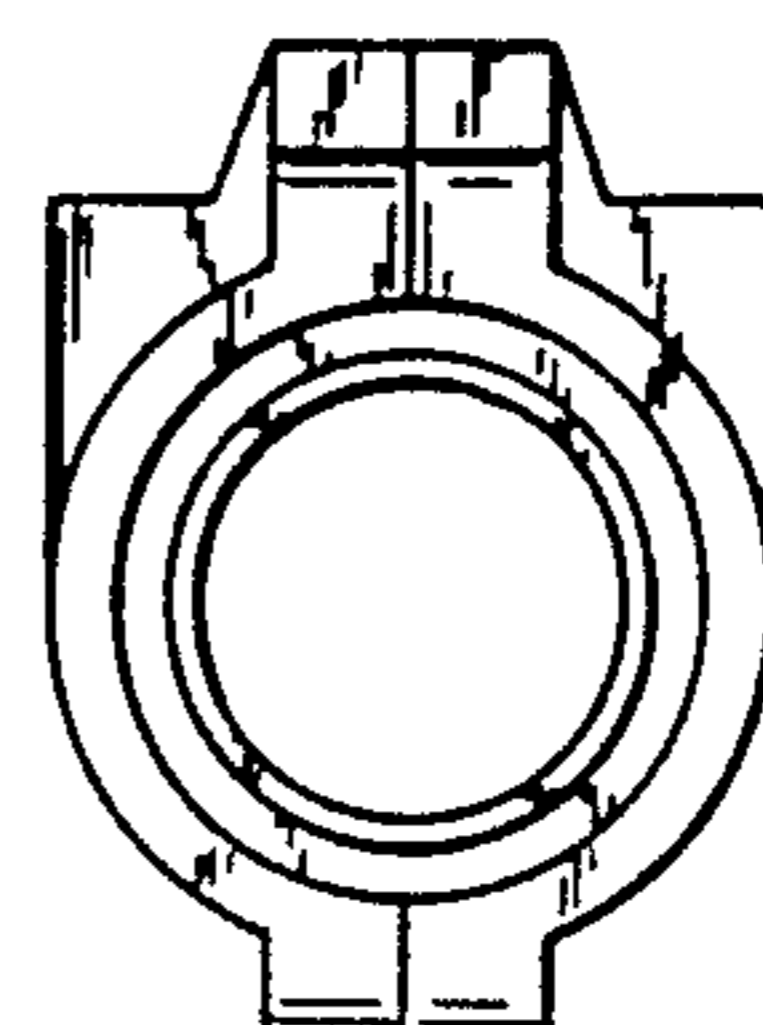


Fig. 5.

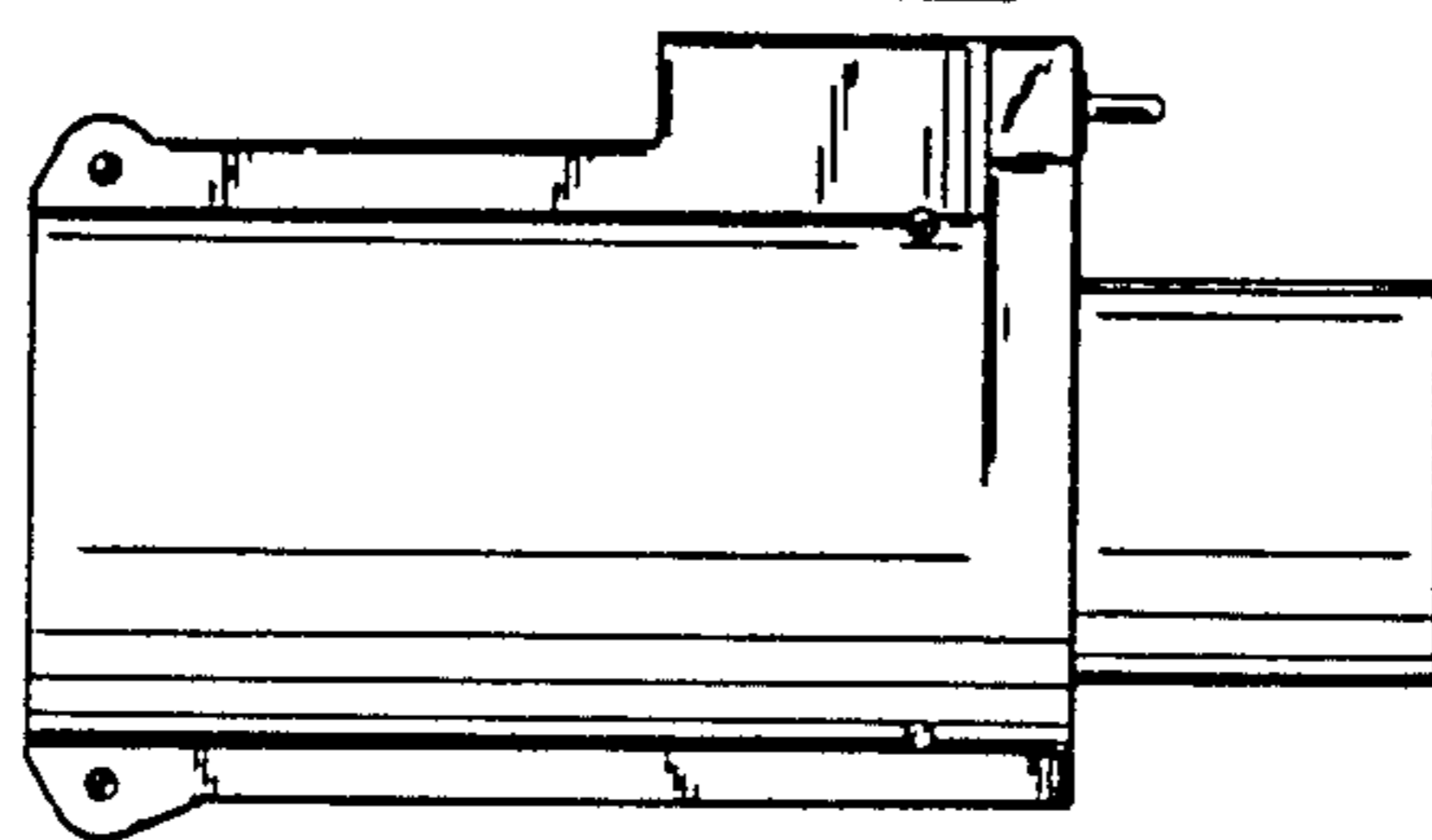


Fig. 6.

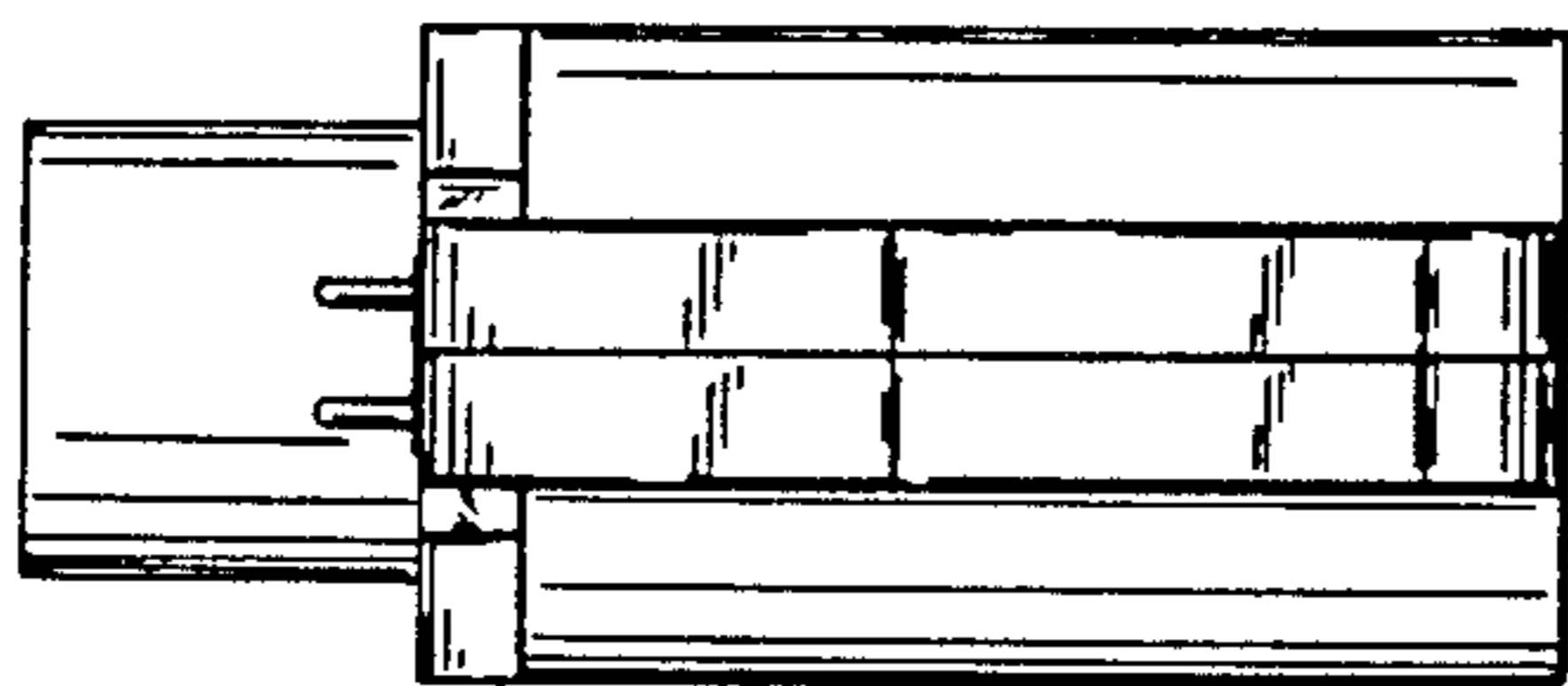


Fig. 7.

