

United States Patent [19]

Avecilla et al.

[11] Patent Number: **Des. 313,095**

[45] Date of Patent: **** Dec. 18, 1990**

[54] **POWER CARPET CLEANER**

[75] Inventors: **Bonifacio Avecilla, Alhambra; Paul G. Jacobs, Northridge, both of Calif.**

[73] Assignee: **EDIC, Los Angeles, Calif.**

[**] Term: **14 Years**

[21] Appl. No.: **196,966**

[22] Filed: **May 20, 1988**

[52] U.S. Cl. **D32/22**

[58] Field of Search **D32/19, 21, 22;**
15/320-324, 332-333, 335, 339, 340.2, 344, 347,
350-353, 360, 383, 410, 412

[56] **References Cited**

U.S. PATENT DOCUMENTS

D. 252,151	6/1979	Webb	D32/22
D. 259,566	6/1981	Phillips	D32/22
D. 276,279	11/1984	Miller et al.	D32/22
D. 277,517	2/1985	Wiese et al.	D32/22
1,316,442	9/1919	Goughnour	.	
3,117,337	1/1964	Krammes	15/320
3,774,261	11/1973	Colt	15/321

3,848,291	11/1974	Morse	15/322
4,014,067	3/1977	Bates	15/320
4,019,218	4/1977	Cyphert	15/321
4,136,420	1/1979	Cyphert et al.	15/321
4,167,799	9/1979	Webb	15/320
4,349,935	9/1982	Knestele	15/320
4,458,377	7/1984	Frohbieter	15/320

Primary Examiner—A. Hugo Word

Assistant Examiner—Ruth McInroy

Attorney, Agent, or Firm—Kelly, Bauersfeld & Lowry

[57] CLAIM

The ornamental design for a power carpet cleaner, as shown.

DESCRIPTION

FIG. 1 is a front perspective view of a power carpet cleaner showing our new design;
FIG. 2 is a left side elevational view thereof;
FIG. 3 is a front elevational view thereof;
FIG. 4 is a rear elevational view thereof;
FIG. 5 is a top plan view thereof;
FIG. 6 is a right side elevational view thereof; and
FIG. 7 is a bottom plan view thereof.

FIG. 1

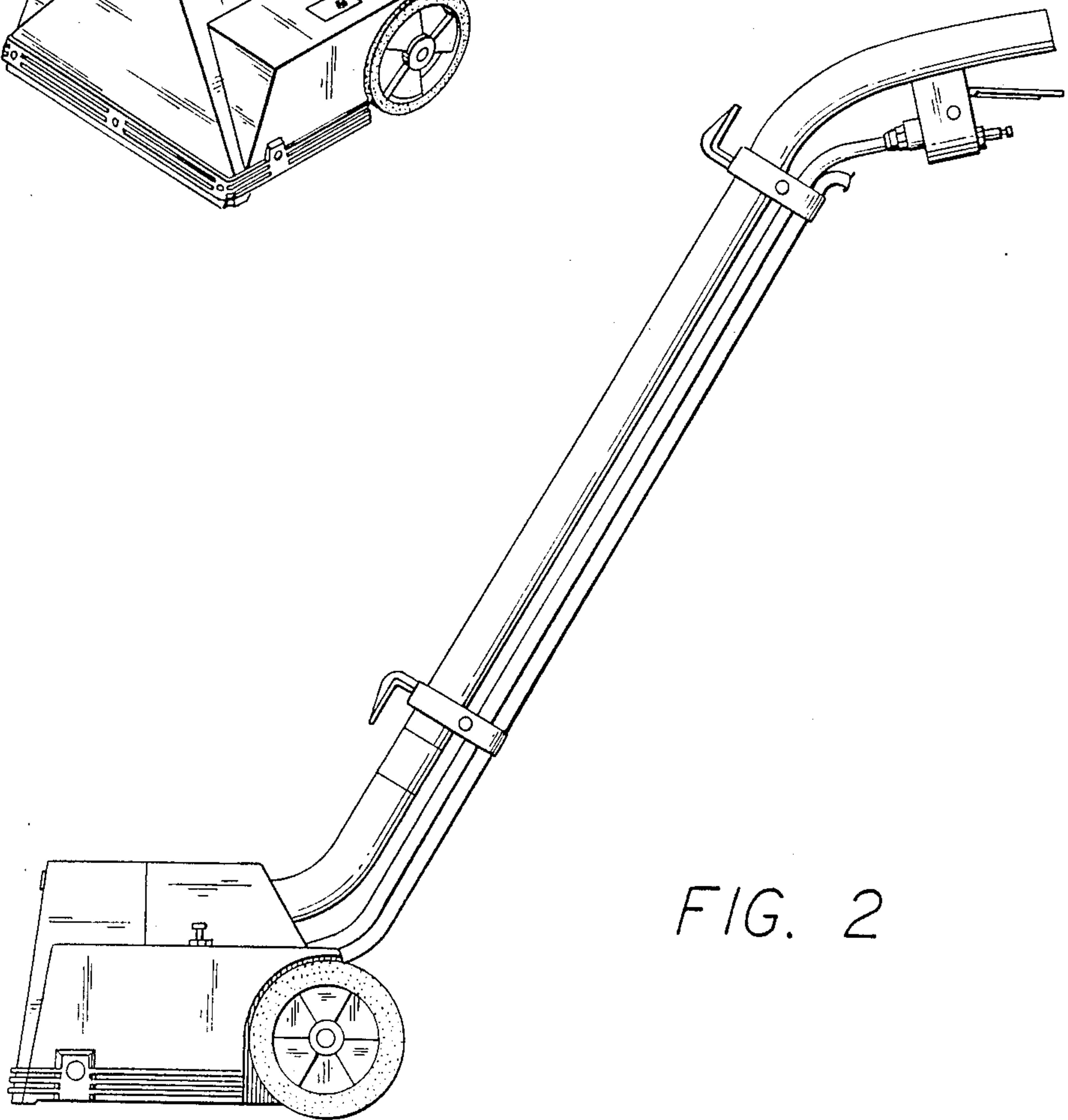
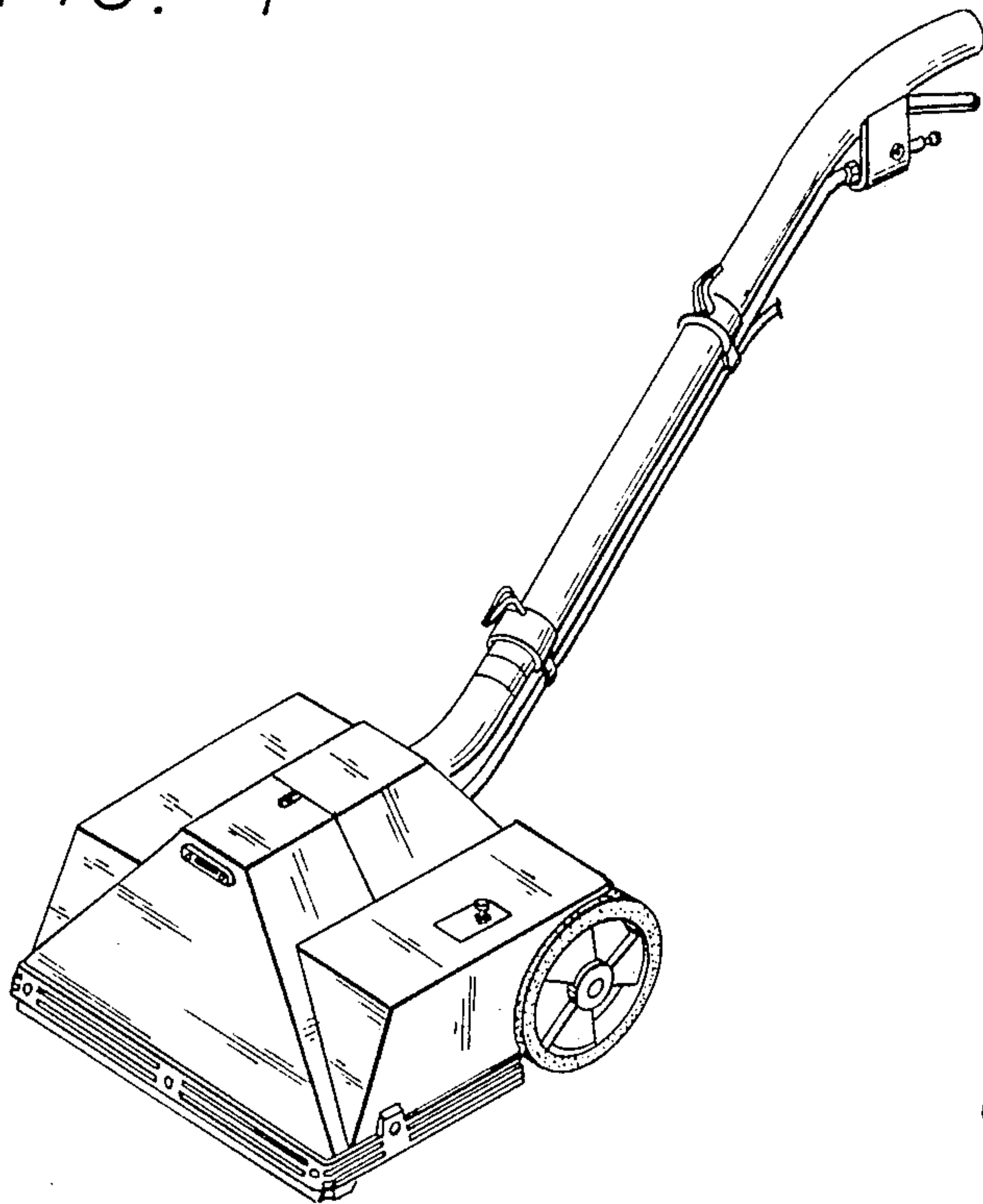


FIG. 2

FIG. 3

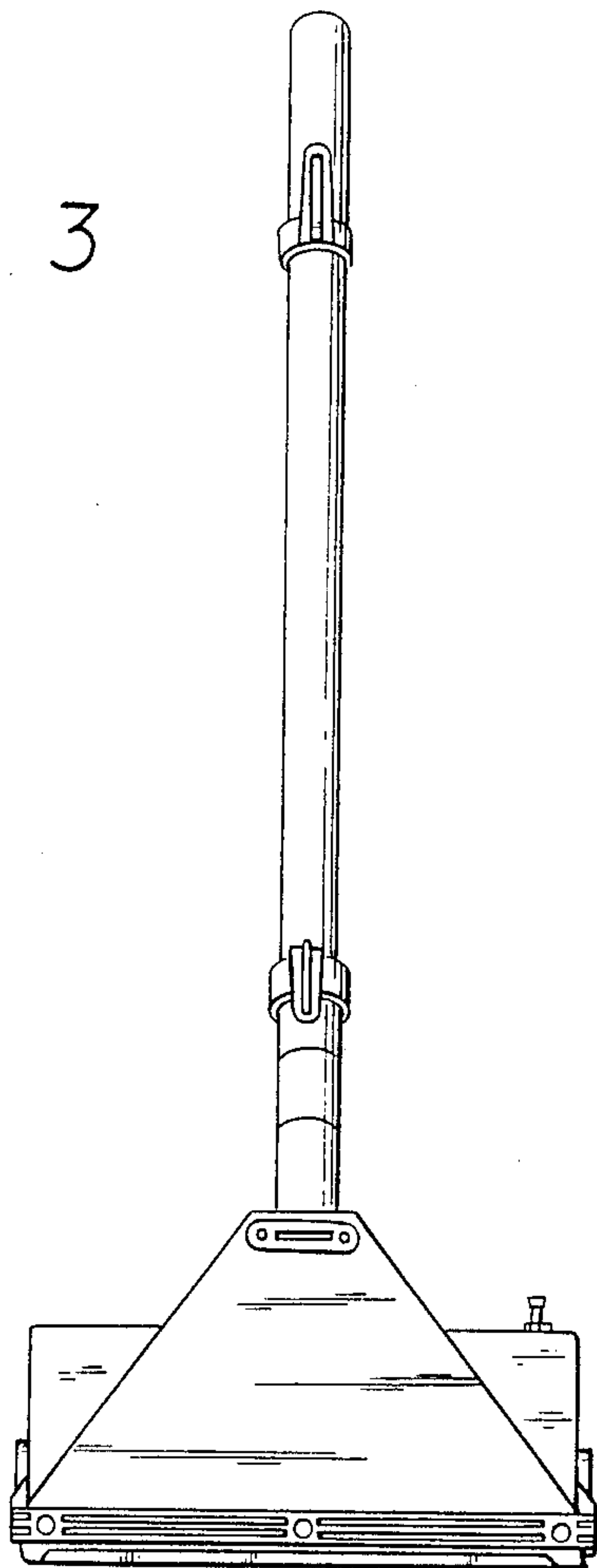


FIG. 4

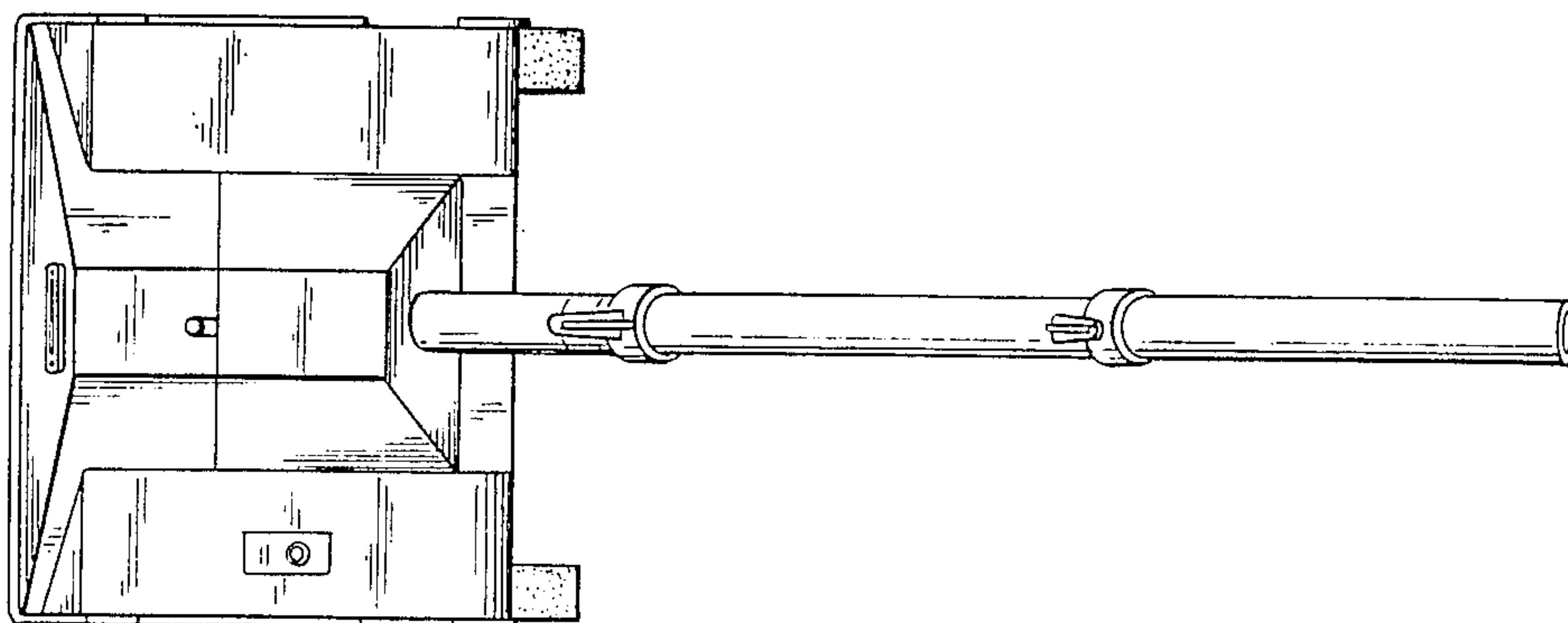
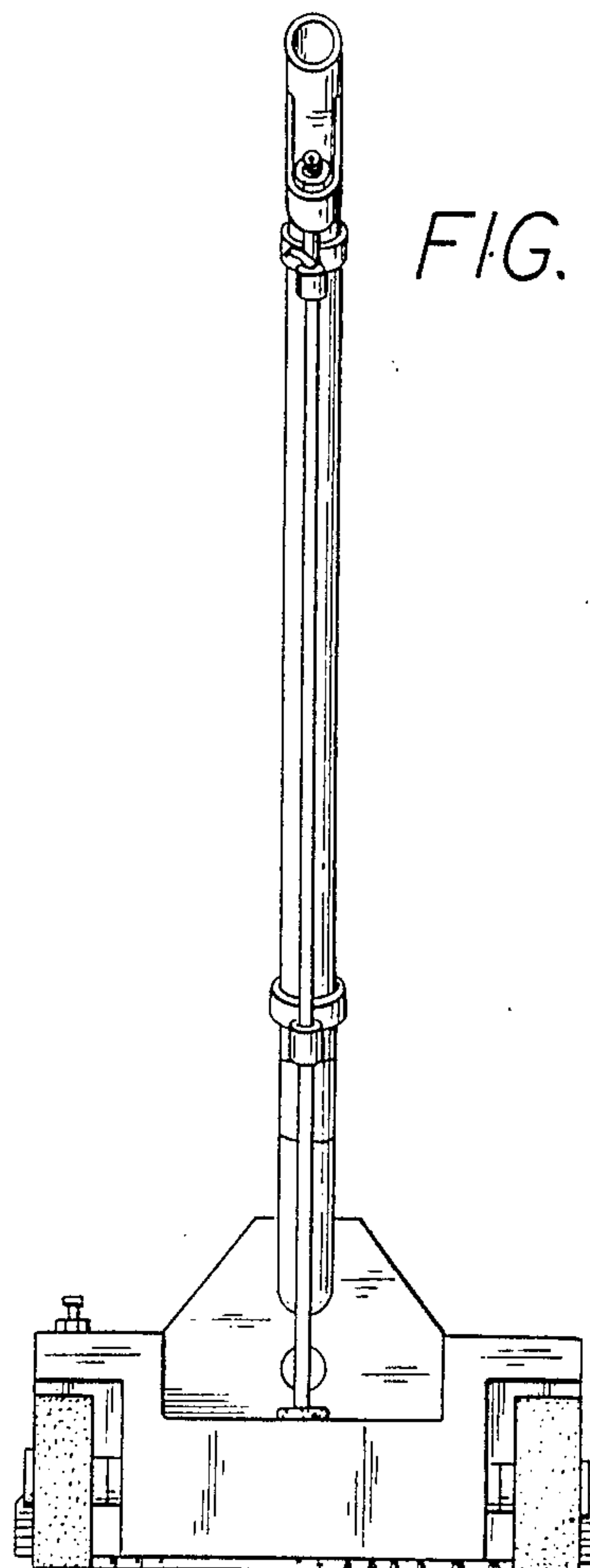


FIG. 5

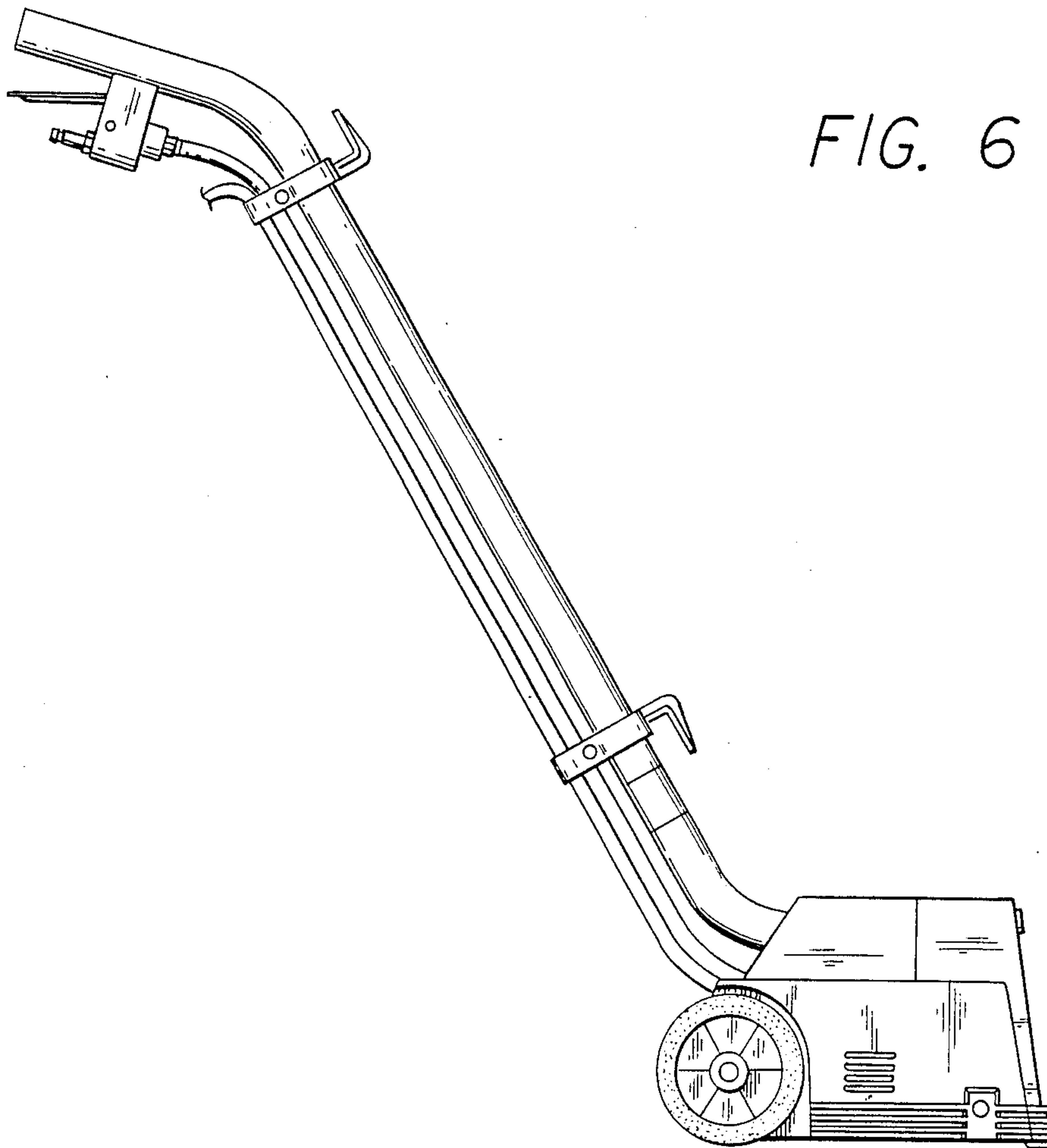


FIG. 6

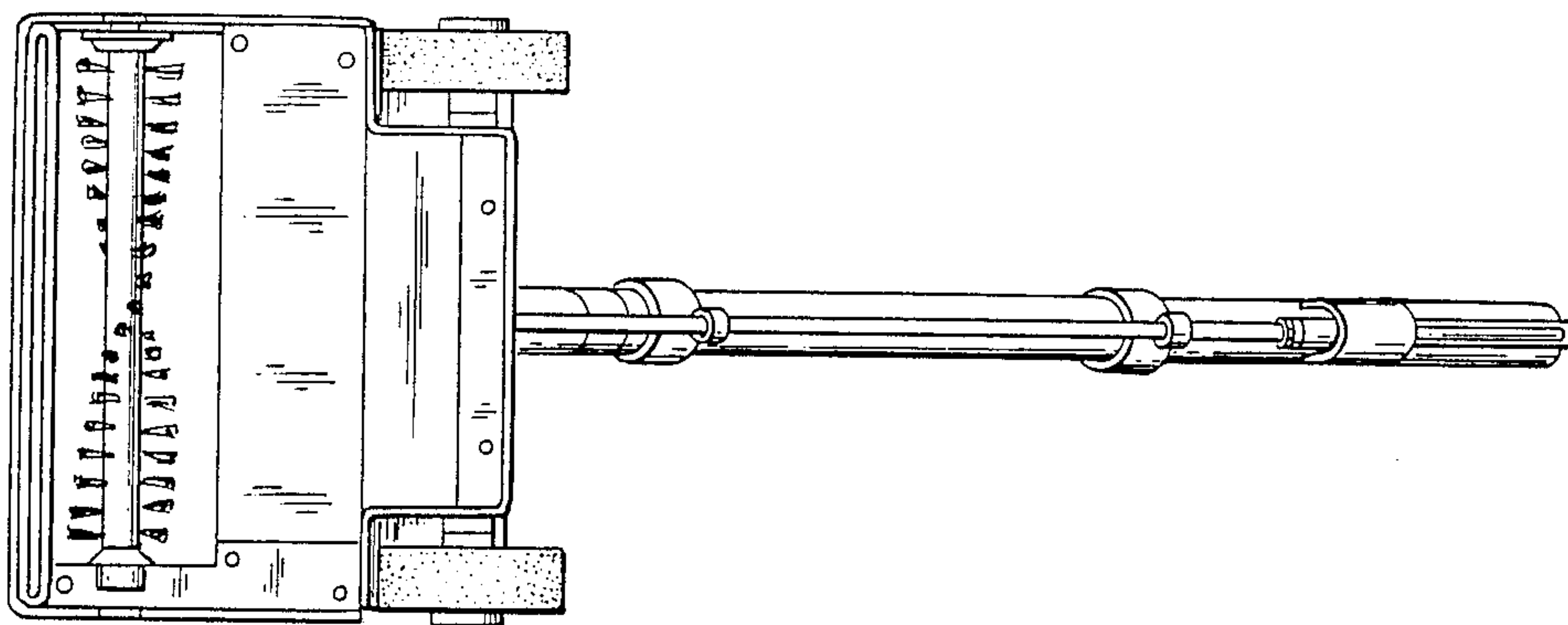


FIG. 7