

[54] AUTOMOBILE CLEANING AND WAXING TOOL

4,791,694 12/1988 Itaya et al. 15/97 R

[75] Inventors: Sam S. Itaya, Pasadena; Robert E. Burglin, Orange, both of Calif.

[73] Assignee: Waxing Corporation of America, Inc., Orange, Calif.

[**] Term: 14 Years

[21] Appl. No.: 53,942

[22] Filed: May 22, 1987

[52] U.S. Cl. D32/19

[58] Field of Search D32/1, 19; D8/62, 67, D8/69-70; 15/28, 49 R, 49 C, 50 R, 52, 53 R, 53 A, 107, 180, 97 R, 97 B, 98

[56] References Cited

U.S. PATENT DOCUMENTS

D. 159,752	8/1950	Palma, Jr.	D32/19
D. 199,116	9/1964	Rosenberg	D32/19
D. 202,694	11/1965	Rosenberg .	
D. 254,231	2/1980	Burglin et al.	D8/62
D. 264,797	6/1982	Burglin et al.	D8/62
D. 295,253	4/1988	Ashworth	D32/19
4,188,682	2/1980	Burglin et al.	15/97 R
4,731,894	3/1988	Ashworth	15/97 R

OTHER PUBLICATIONS

Waxmaster 9—Orbital Polisher System Brochure, no date.

Hollywood Accessories, "New Products" Brochure, p. 1, Orbitron 110 Volt Auto Polisher, Copyright 1983.

Wen Products, Inc. Owner's Manual for Model 10 Orbital Car Waxer, (Feb., 1985).

Primary Examiner—A. Hugo Word

Assistant Examiner—Ruth McInroy

Attorney, Agent, or Firm—Fitch, Even, Tabin & Flannery

[57] CLAIM

The ornamental design for an automobile cleaning and waxing tool, as shown and described.

DESCRIPTION

FIG. 1 is a top perspective view of an automobile cleaning and waxing tool showing our new design; FIG. 2 is a right side elevational view thereof; FIG. 3 is a top plan view thereof; FIG. 4 is a side elevational view of the right side of FIG. 2; and FIG. 5 is a bottom plan view thereof with the pad and counterweight removed for clarity of illustration.

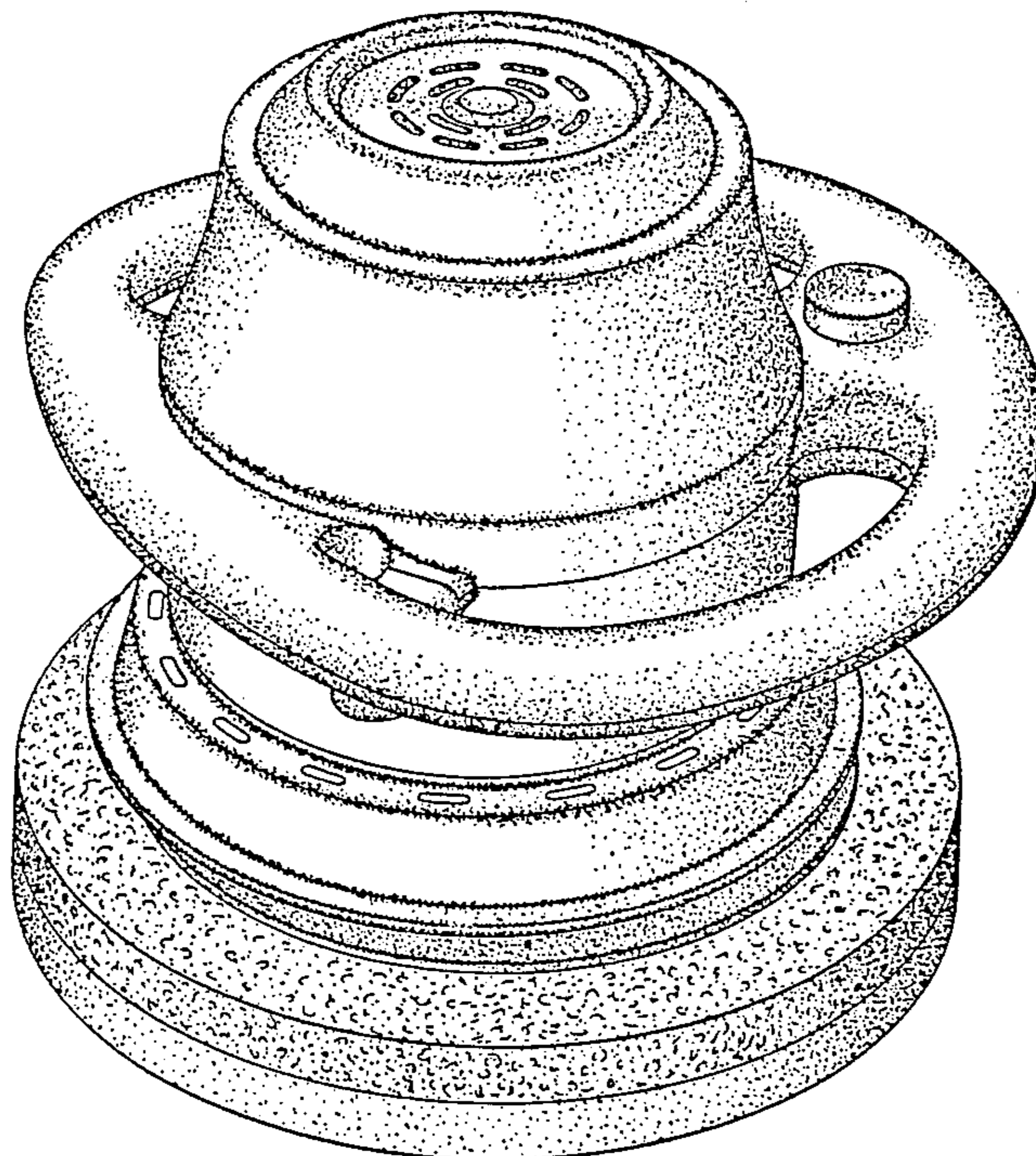


FIG. 1.

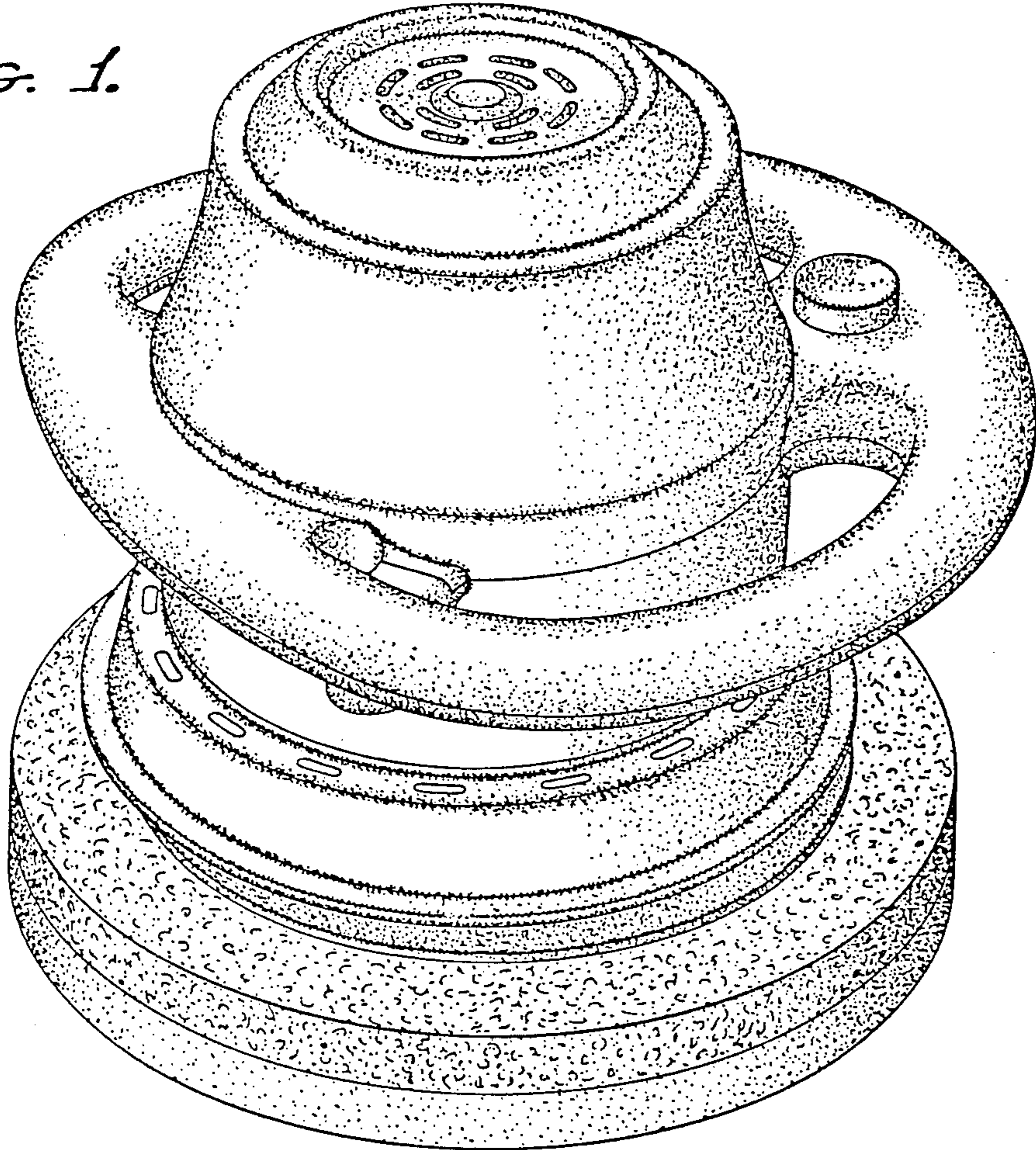


FIG. 2.

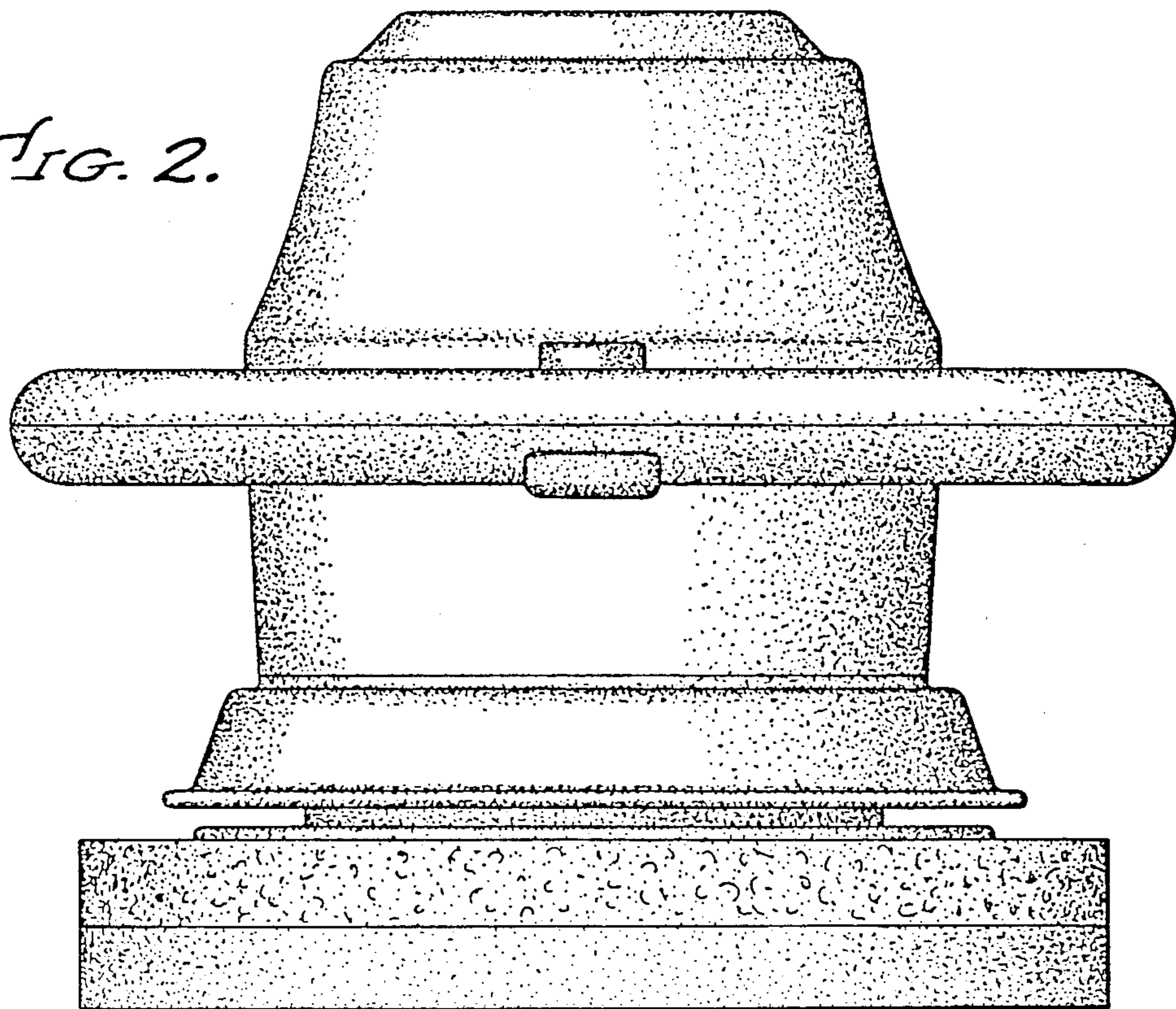


FIG. 3.

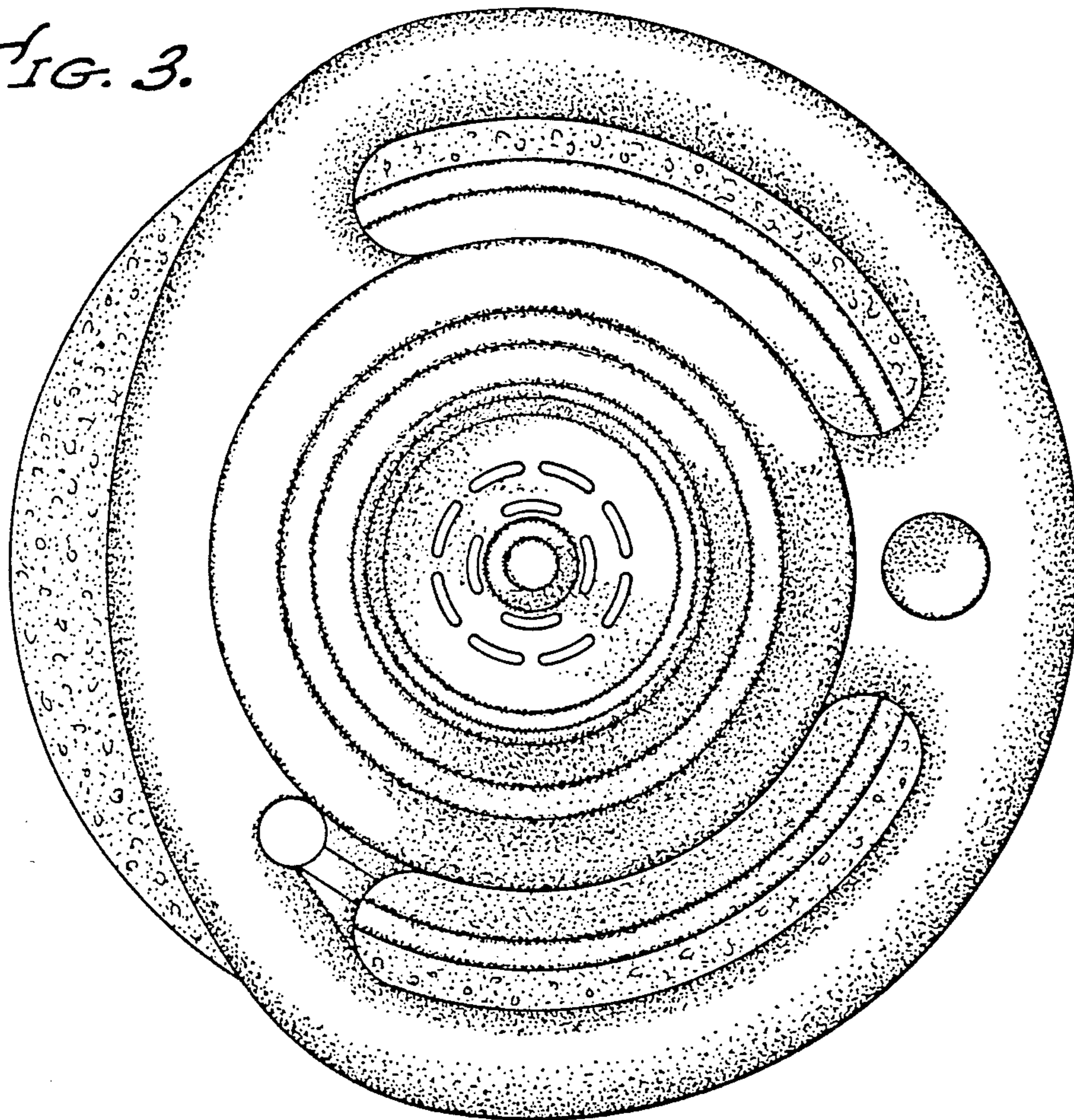
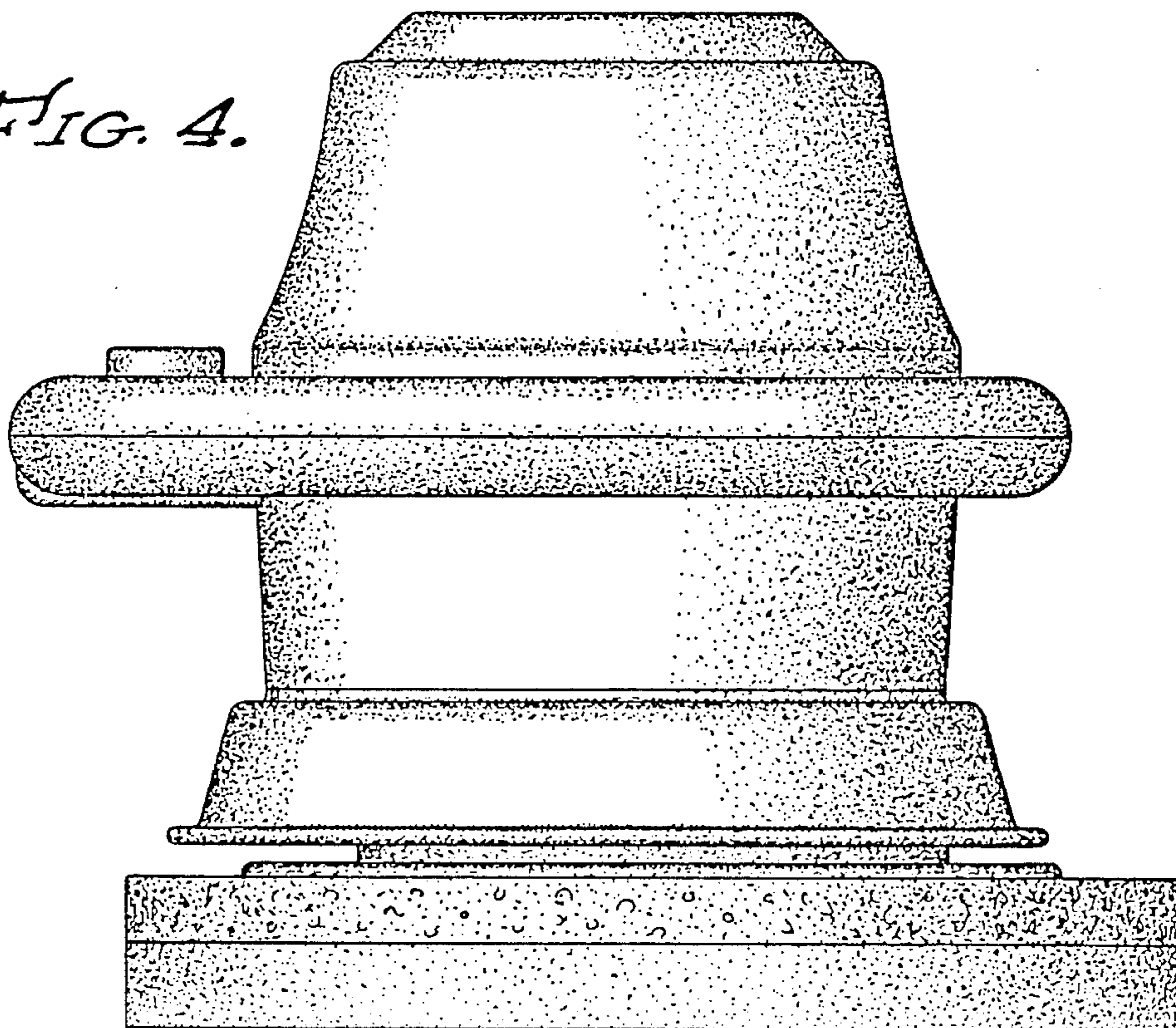


FIG. 4.



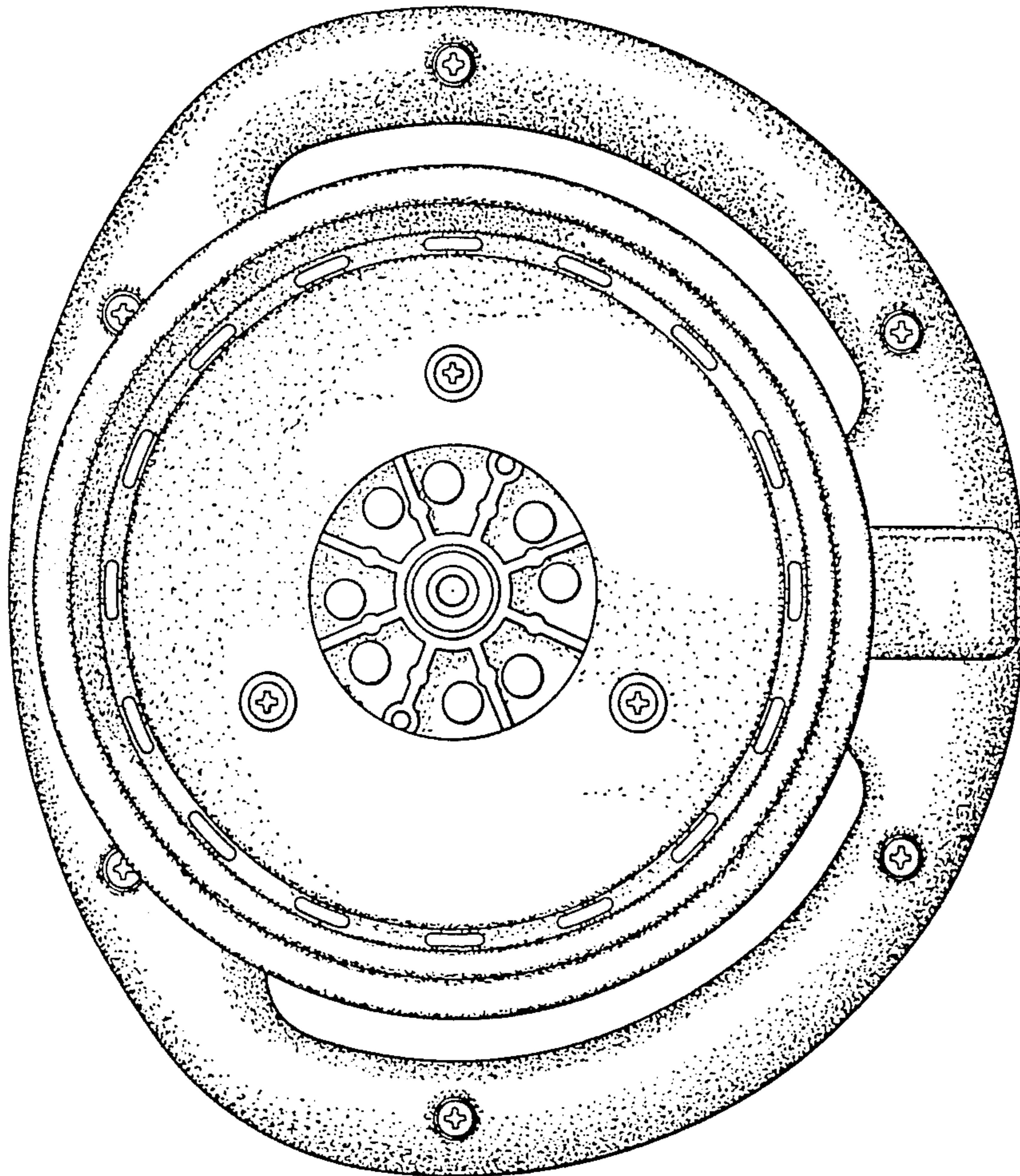


FIG. 5.