

[54] AUTOMATIC FOOD DISPENSER FOR AQUARIUMS OR THE LIKE

[75] Inventor: Mamoru Tanaka, Tokyo, Japan

[73] Assignee: Seikosha Co., Ltd., Japan

[**] Term: 14 Years

[21] Appl. No.: 389,104

[22] Filed: Aug. 3, 1989

[30] Foreign Application Priority Data

Feb. 8, 1989 [JP] Japan 1-4449

[52] U.S. Cl. D30/122; D30/106

[58] Field of Search D10/2, 40; D30/106, D30/121, 122, 129-133; 119/5, 51.1, 51.11, 51.12, 51.5, 74, 61, 72, 73, 77, 78; 222/650, 197

[56] References Cited

U.S. PATENT DOCUMENTS

- D. 143,106 12/1945 Abramson D10/2
- D. 235,008 4/1975 Ishikawa D10/40
- D. 287,170 12/1986 Goldman et al. D30/122
- 2,725,852 12/1955 Cramer 119/51.04
- 2,772,659 12/1956 Tennis 119/5
- 2,785,831 3/1957 Smolin 119/51.04
- 2,793,791 5/1957 Clark 222/650

- 2,847,066 8/1958 Kleiber et al. 222/650
- 2,968,280 1/1961 Gutstein 119/5
- 2,978,148 4/1961 Schwartz 222/197
- 3,050,029 8/1962 Appleton 119/5
- 3,578,209 5/1971 Fraser 222/650
- 4,157,770 6/1979 Roos 222/650
- 4,175,679 11/1979 Ponce et al. 222/650

FOREIGN PATENT DOCUMENTS

3500104 7/1986 Fed. Rep. of Germany ... 119/51.04

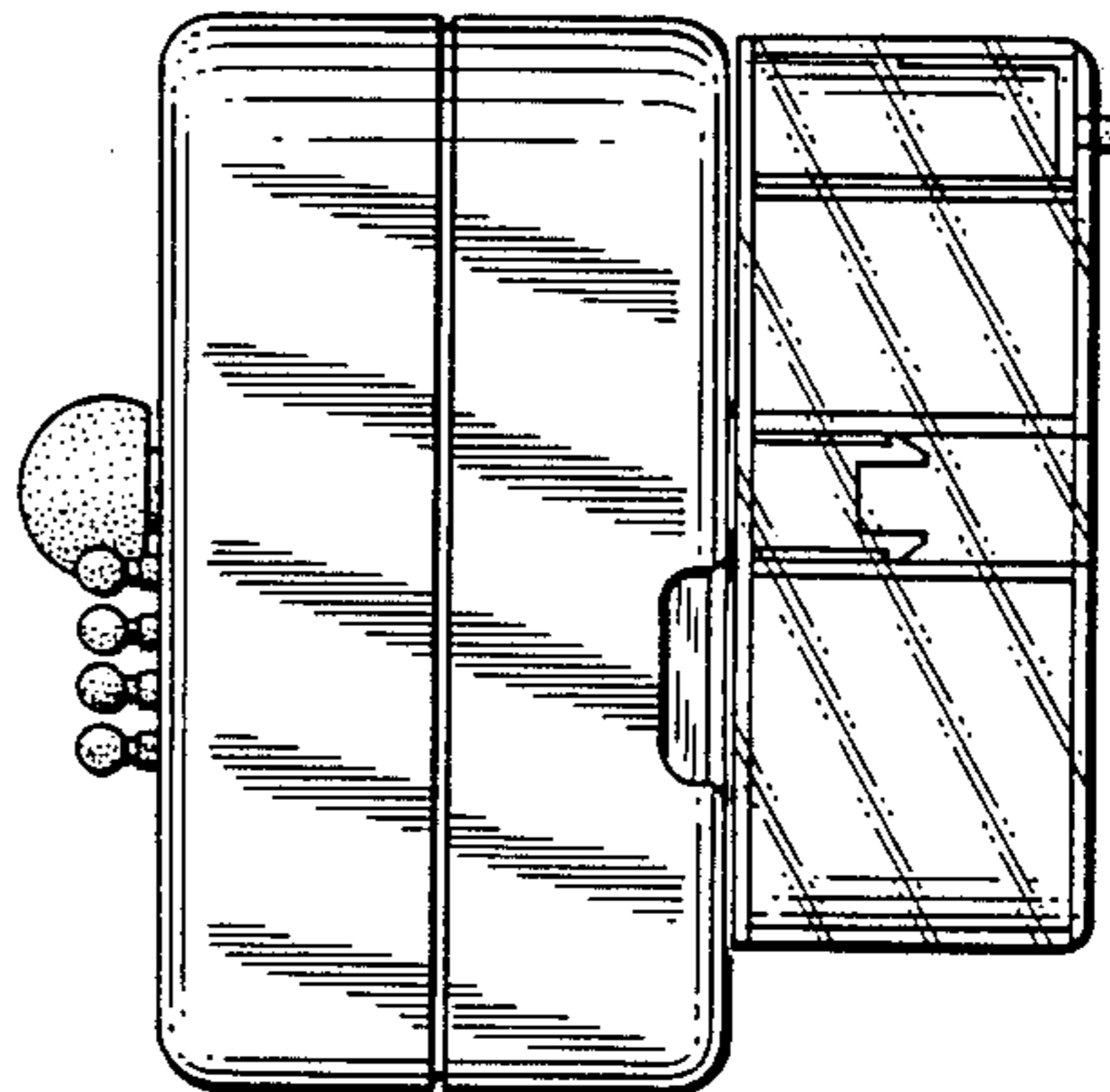
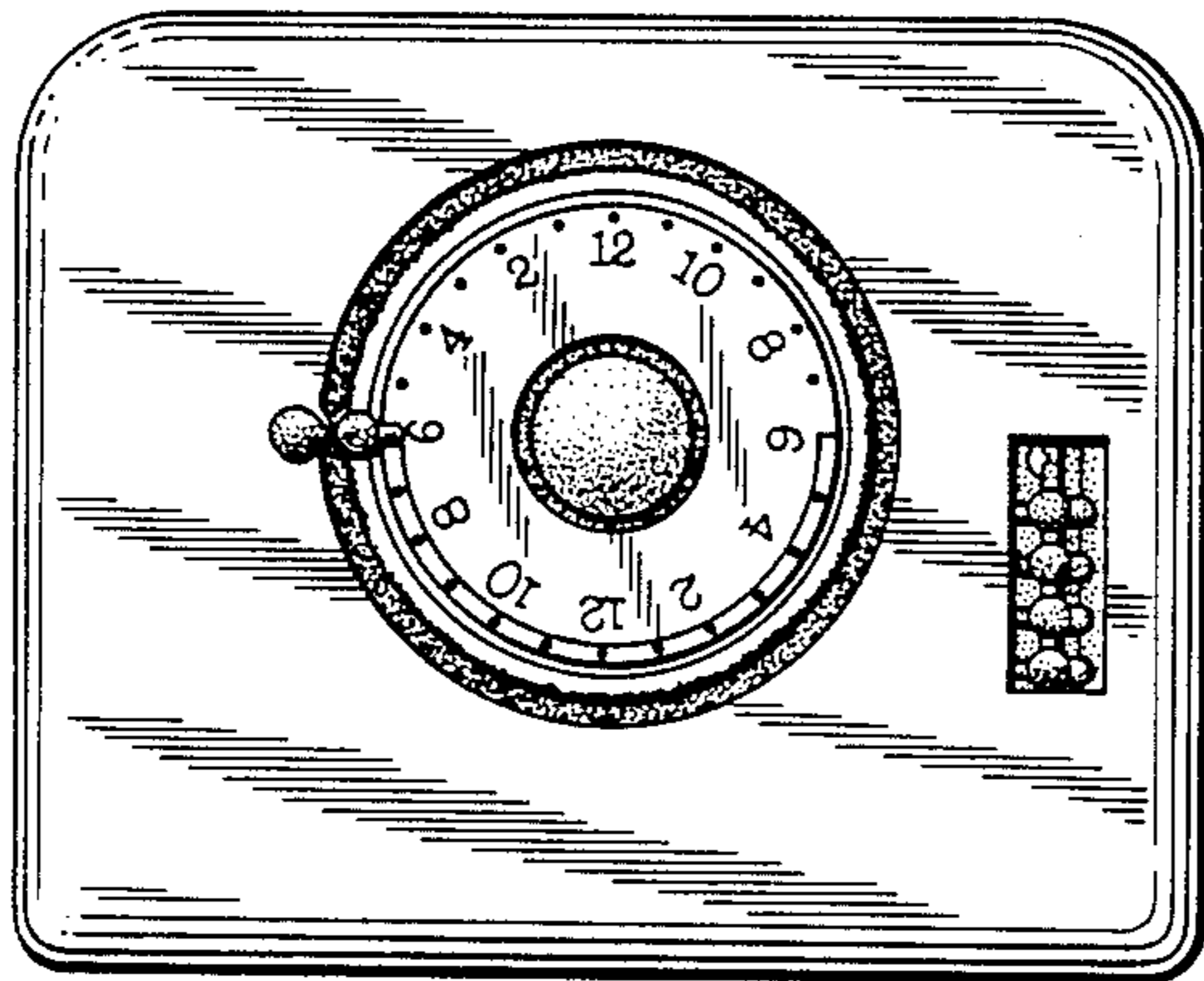
Primary Examiner—James R. Largen
Attorney, Agent, or Firm—Bruce L. Adams; Van C. Wilks

[57] CLAIM

The ornamental design for an automatic food dispenser for aquariums or the like, as shown and described.

DESCRIPTION

FIG. 1 is a front elevational view of an automatic food dispenser for aquariums or the like showing my new design;
FIG. 2 is a rear elevational view thereof;
FIG. 3 is a top plan view thereof;
FIG. 4 is a bottom plan view thereof;
FIG. 5 is a left side elevational view thereof; and
FIG. 6 is a right side elevational view thereof.



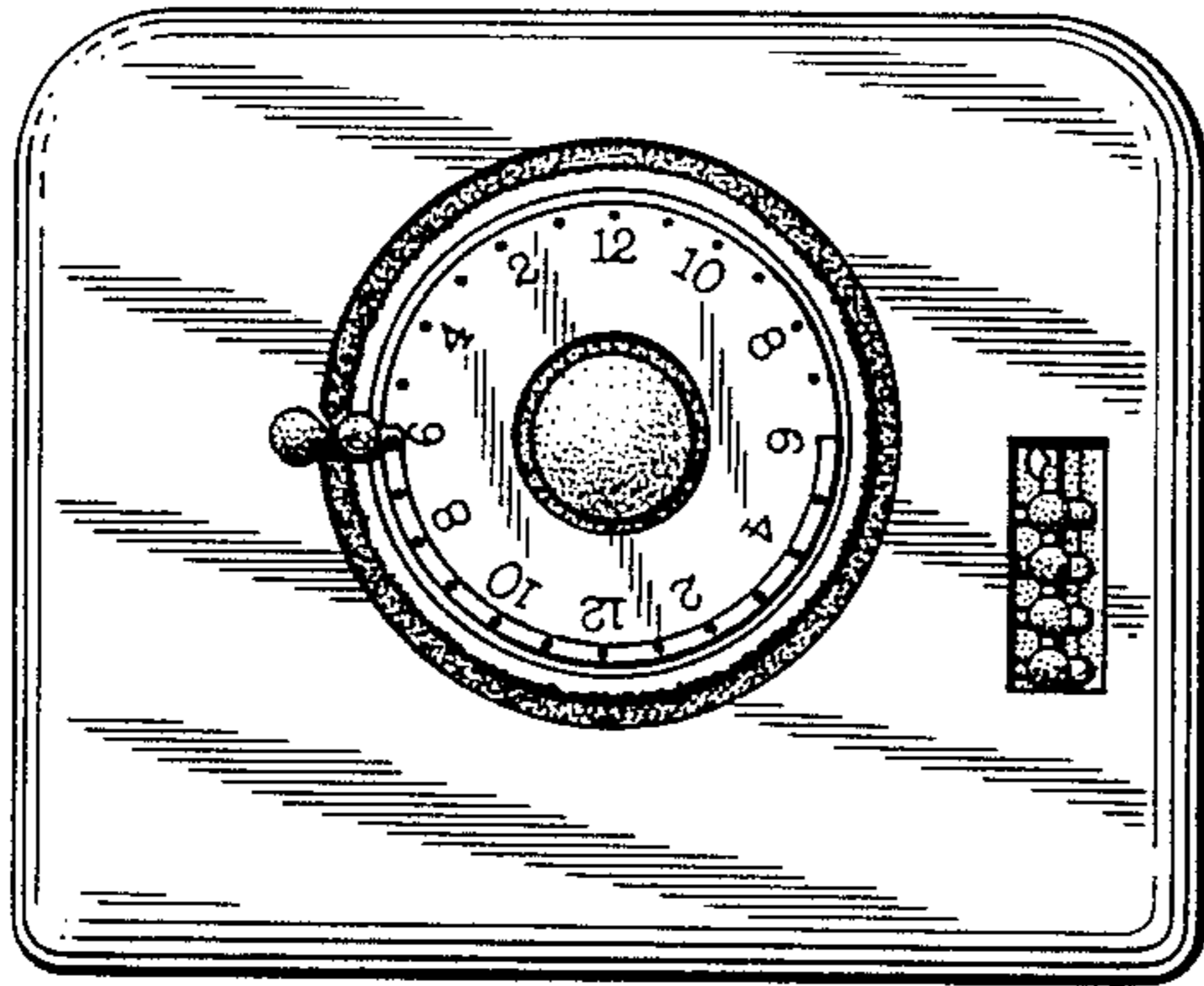


FIG. 1

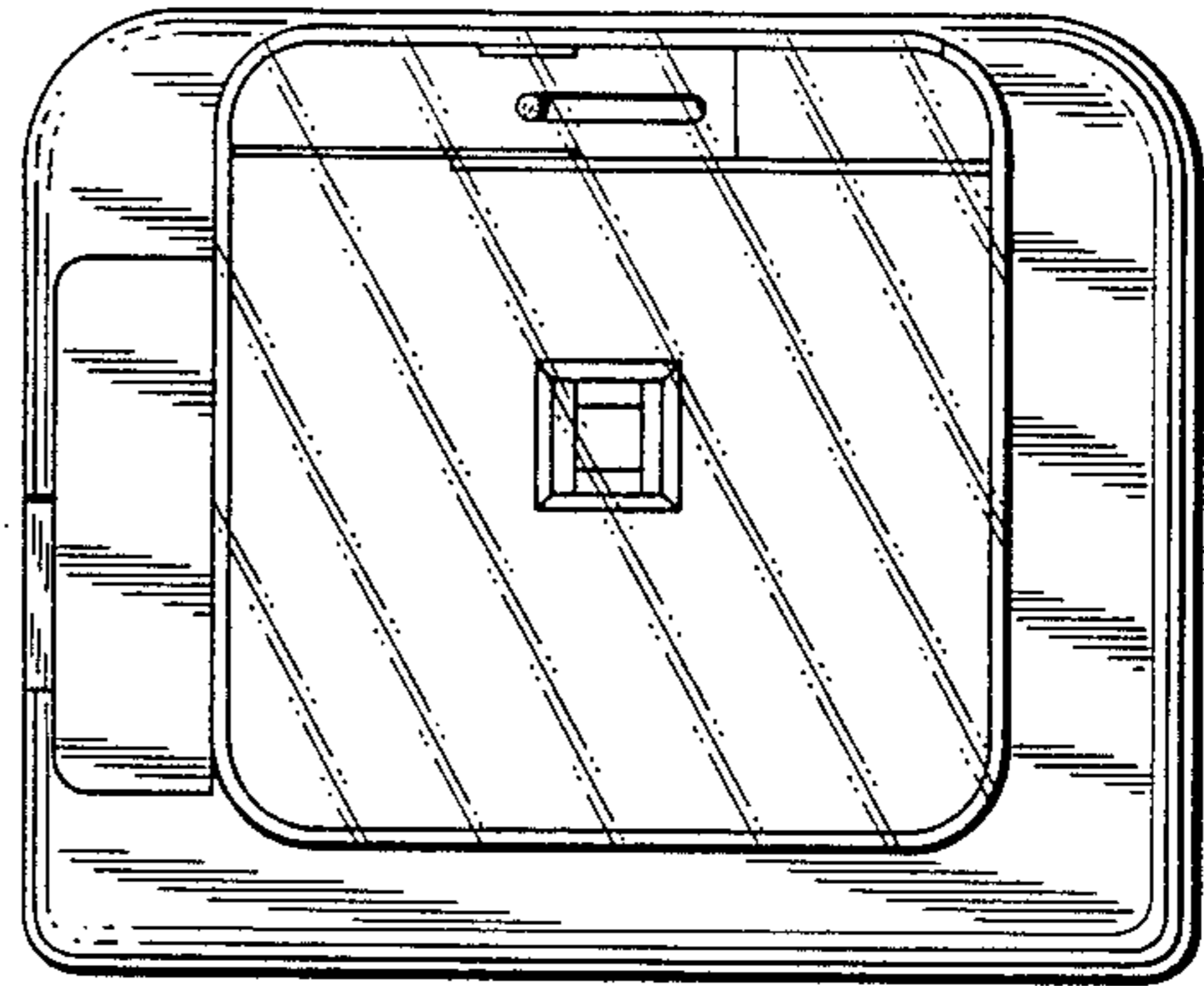


FIG. 2

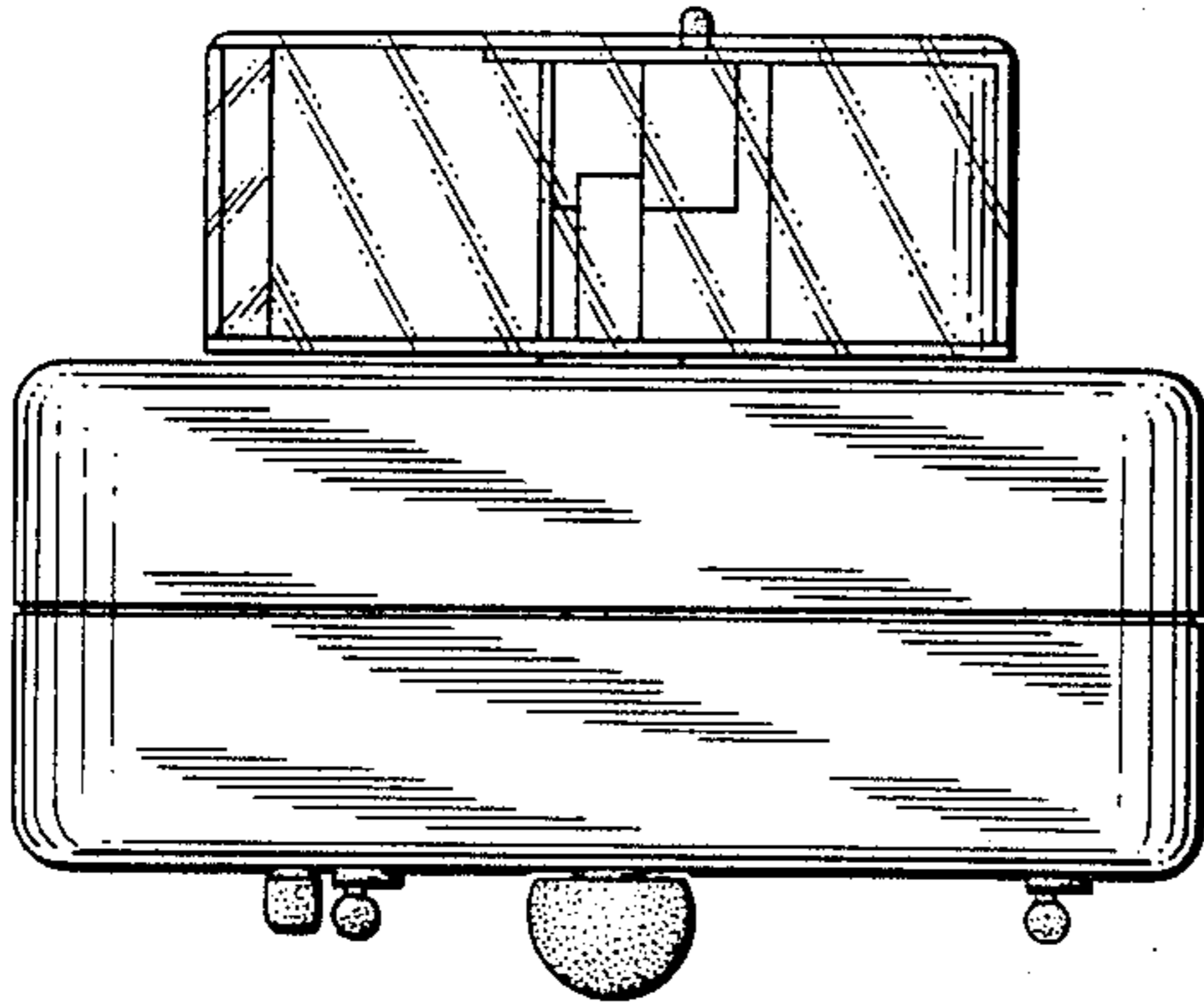


FIG. 3

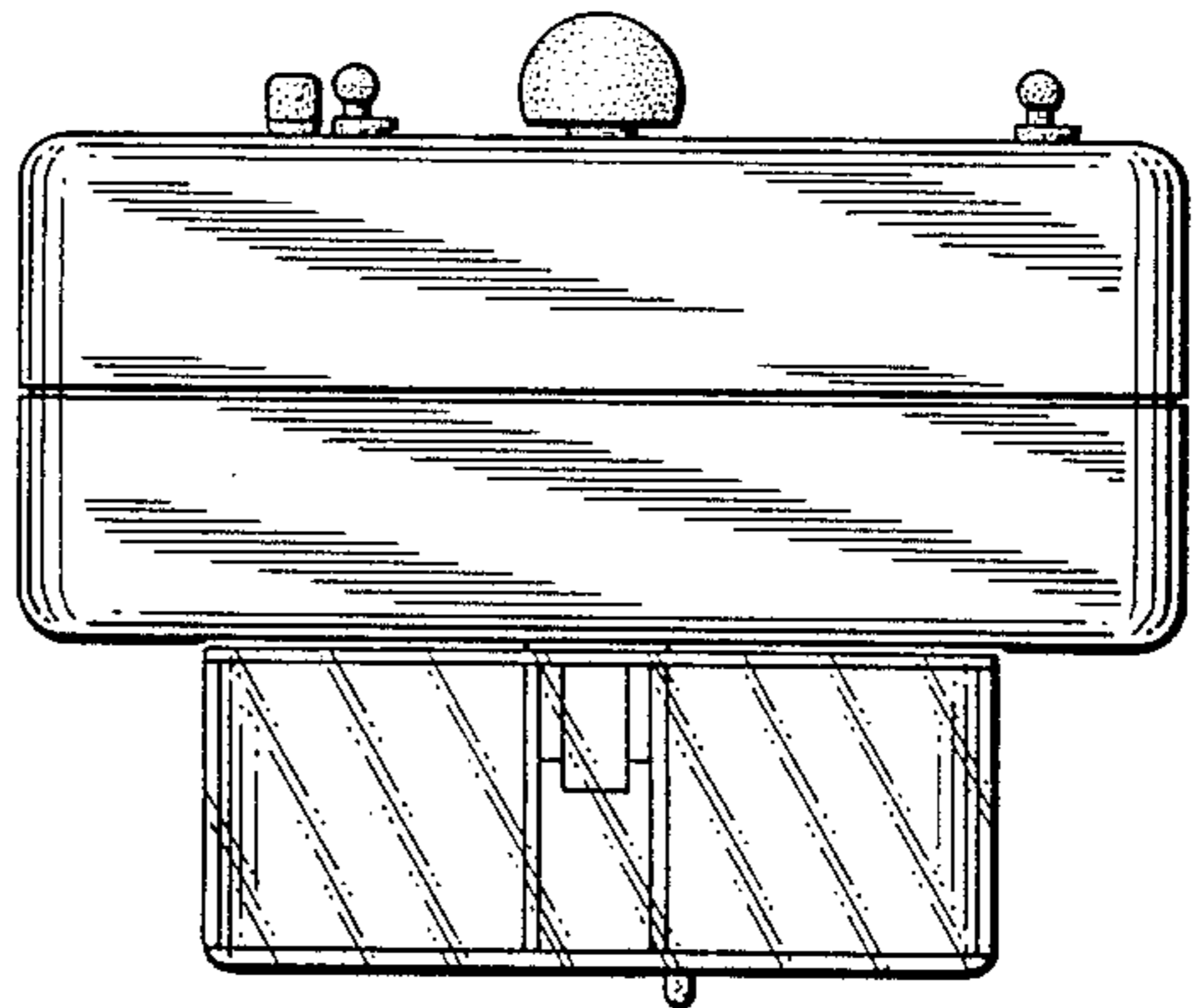


FIG. 4

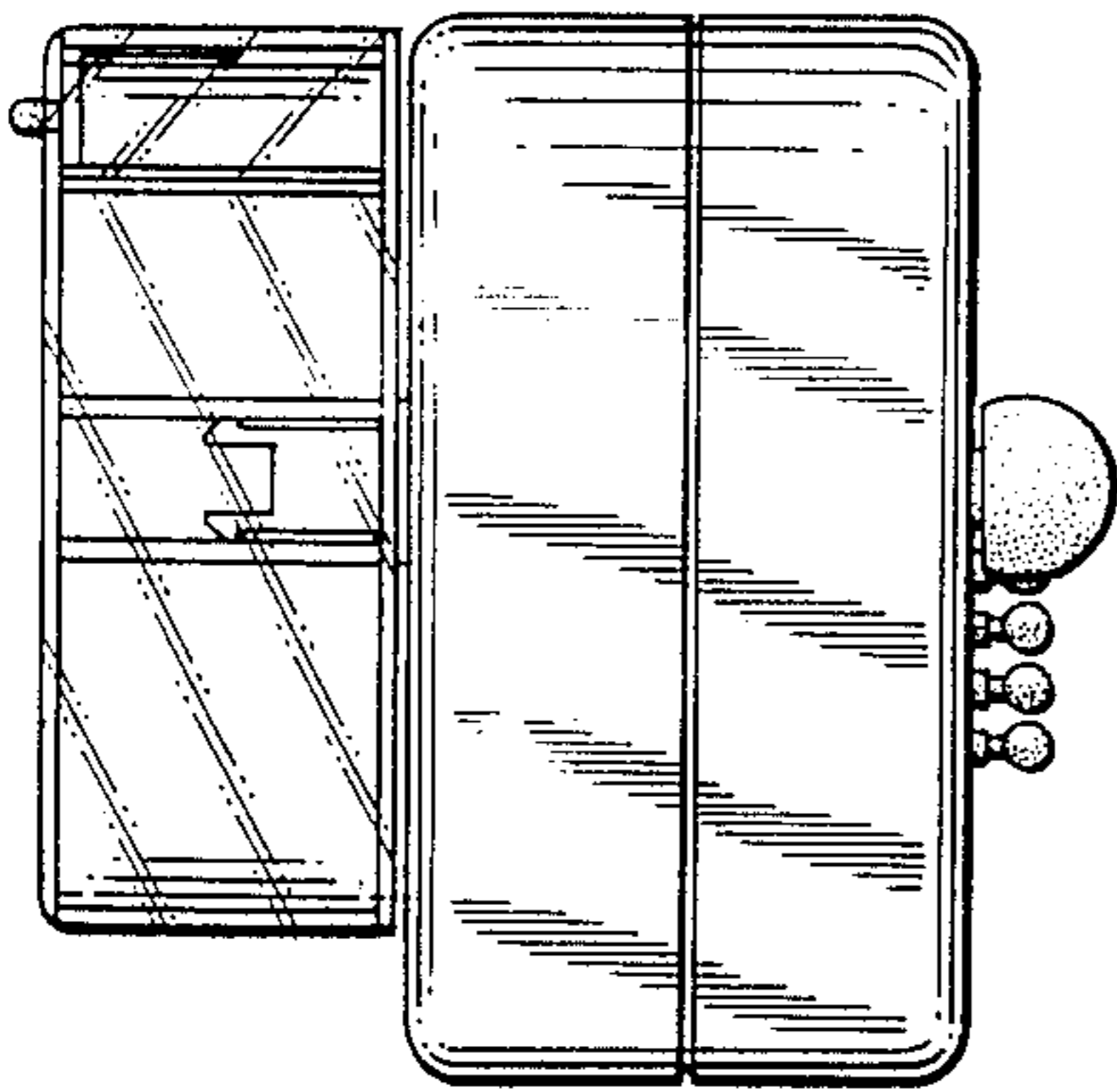


FIG. 5

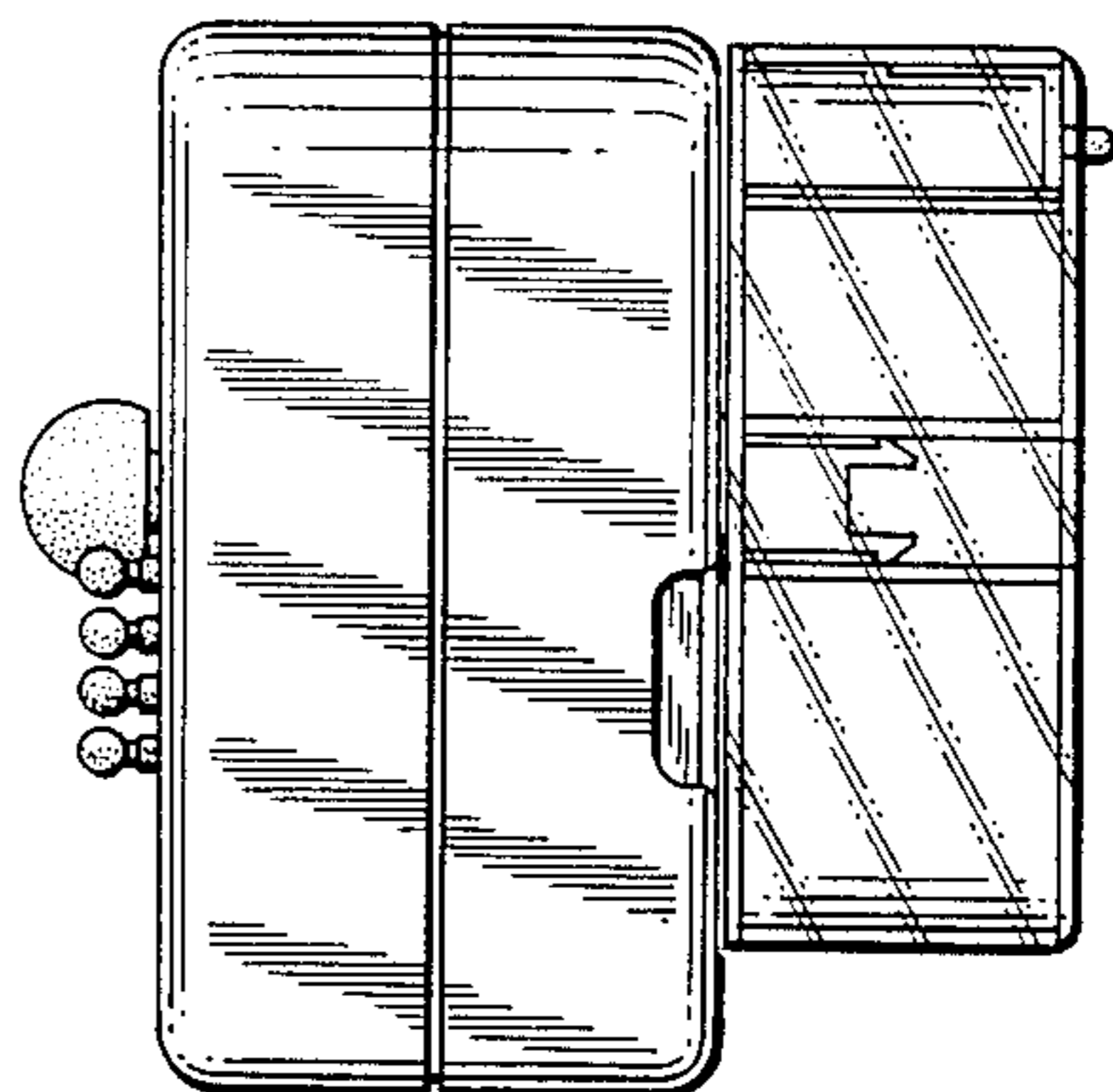


FIG. 6